



US00D613325S

(12) **United States Design Patent**
Lo

(10) **Patent No.:** **US D613,325 S**

(45) **Date of Patent:** **** Apr. 6, 2010**

(54) **STEREOSCOPIC DEVICE**

(75) **Inventor:** **Anthony Lo**, Rm. 7, 7/fl., New City Centre, 2, Lei Yue Mun Road, Kwun Tong, Kowloon, Hong Kong, Hong Kong (CN)

(73) **Assignee:** **Anthony Lo**, Hong Kong (CN)

(**) **Term:** **14 Years**

(21) **Appl. No.:** **29/308,302**

(22) **Filed:** **Jun. 8, 2008**

(51) **LOC (9) Cl.** **16-02**

(52) **U.S. Cl.** **D16/222**

(58) **Field of Classification Search** D16/133, D16/221, 222, 227; 40/361-362, 364, 366-367; 359/462, 466, 467, 477; 353/6-7
See application file for complete search history.

(56) **References Cited**

U.S. PATENT DOCUMENTS

705,706	A *	7/1902	Richmond	359/477
724,044	A *	3/1903	Richmond	359/477
826,635	A *	7/1906	Whiting	359/477
D144,407	S *	4/1946	McClellan	D16/222
2,528,673	A *	11/1950	Taylor	359/472
2,530,531	A *	11/1950	McClellan	359/467
D161,884	S *	2/1951	Thomas	D16/222
2,621,562	A *	12/1952	Stone	359/474
2,715,853	A *	8/1955	Austin	359/474
D175,542	S *	9/1955	Fuller	D16/222
D251,494	S *	4/1979	Richards et al.	D16/222
4,561,723	A *	12/1985	Hamano et al.	349/15
5,002,364	A *	3/1991	Steenblik	359/15
5,123,726	A *	6/1992	Webster	351/201
D369,374	S *	4/1996	Dallaire	D16/222
D410,483	S *	6/1999	Ogasawara	D15/221
2004/0179094	A1 *	9/2004	Lo	348/42

2005/0007659	A1 *	1/2005	Steinthal et al.	359/383
2007/0171524	A1 *	7/2007	Steinthal et al.	359/466

* cited by examiner

Primary Examiner—Ian Simmons

Assistant Examiner—Wan Laymon

(74) *Attorney, Agent, or Firm*—David Lewis

(57) **CLAIM**

The ornamental design for a stereoscopic device, as shown and described.

DESCRIPTION

FIG. 1 is a front perspective view of the stereoscopic device.

FIG. 2 is a back perspective view of the stereoscopic device of FIG. 1.

FIG. 3 is a front view of the stereoscopic device of FIG. 1.

FIG. 4 is a top plan view of the stereoscopic device of FIG. 1., the bottom plan view of the claimed invention is a mirror image of the top plan view.

FIG. 5 is a right side view of the stereoscopic device of FIG. 1.

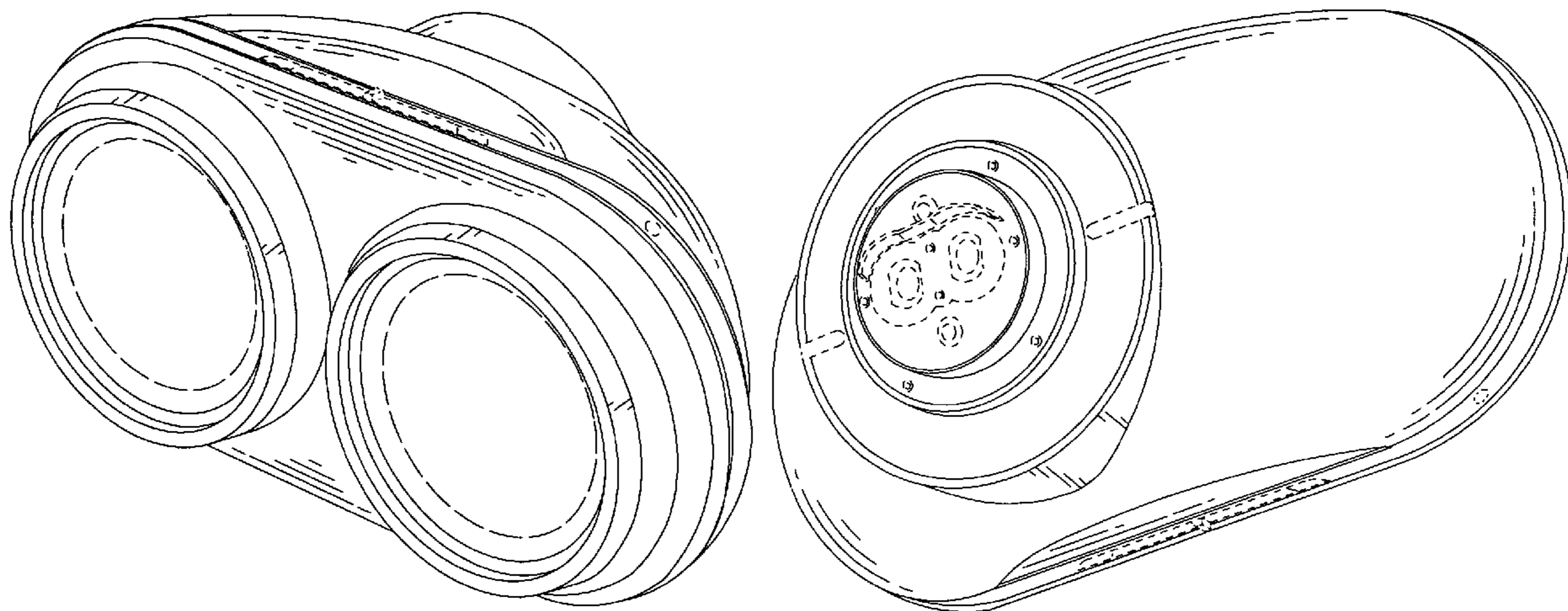
FIG. 6 is a left side view of the stereoscopic device of FIG. 1; and,

FIG. 7 is a back side view of the stereoscopic device of FIG. 1.

The regions bounded with dashed lines demark regions that are not being claimed and form no part of the claimed invention. Similarly and the structures drawn in phantom using dashed lines are not being claimed and form no part of the claimed invention.

The stereoscopic device is used for three dimensional imaging. The back of the stereoscopic device attaches to an otherwise non-stereoscopic camera at the location of the lens.

1 Claim, 7 Drawing Sheets



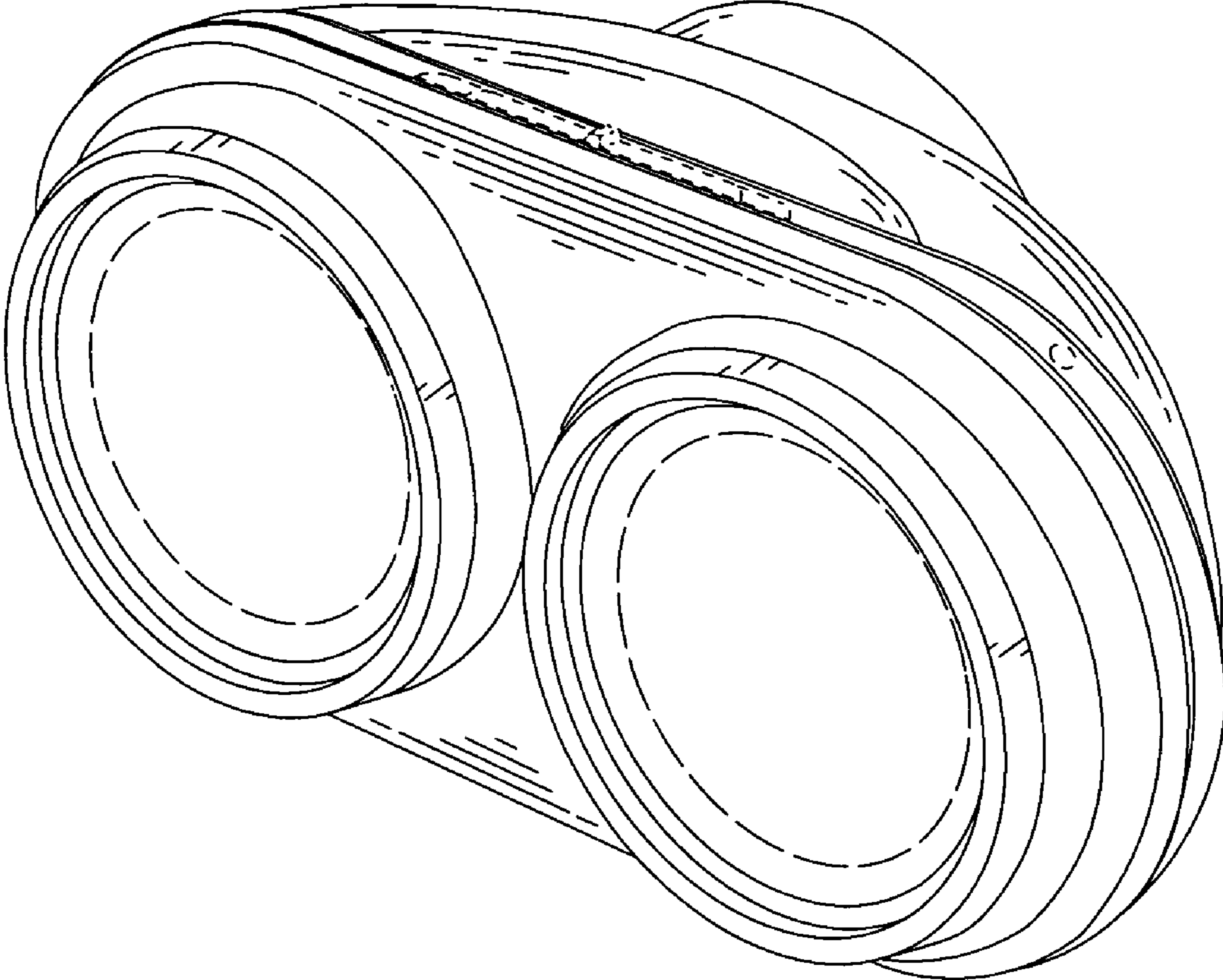


FIG. 1

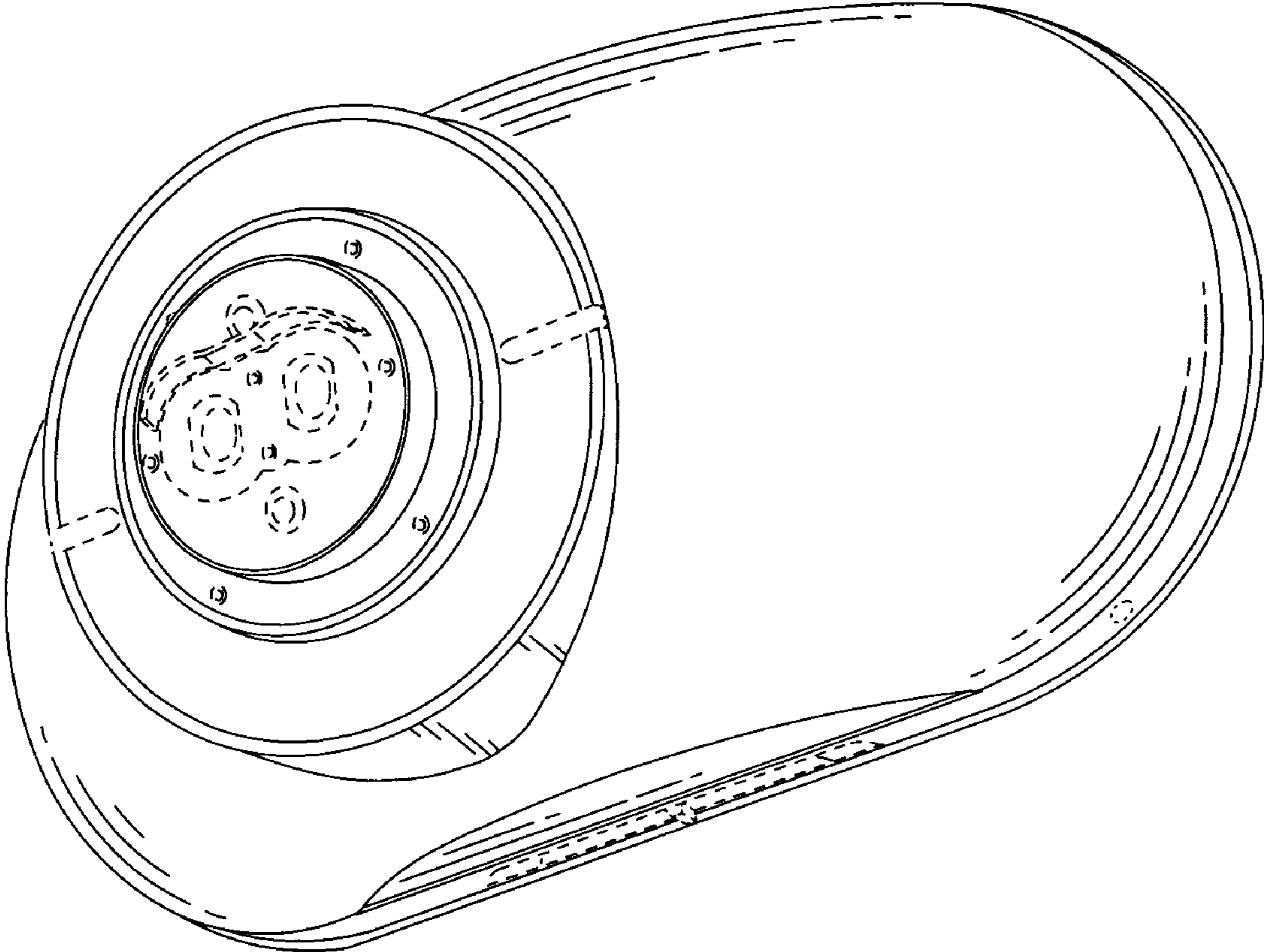


FIG. 2

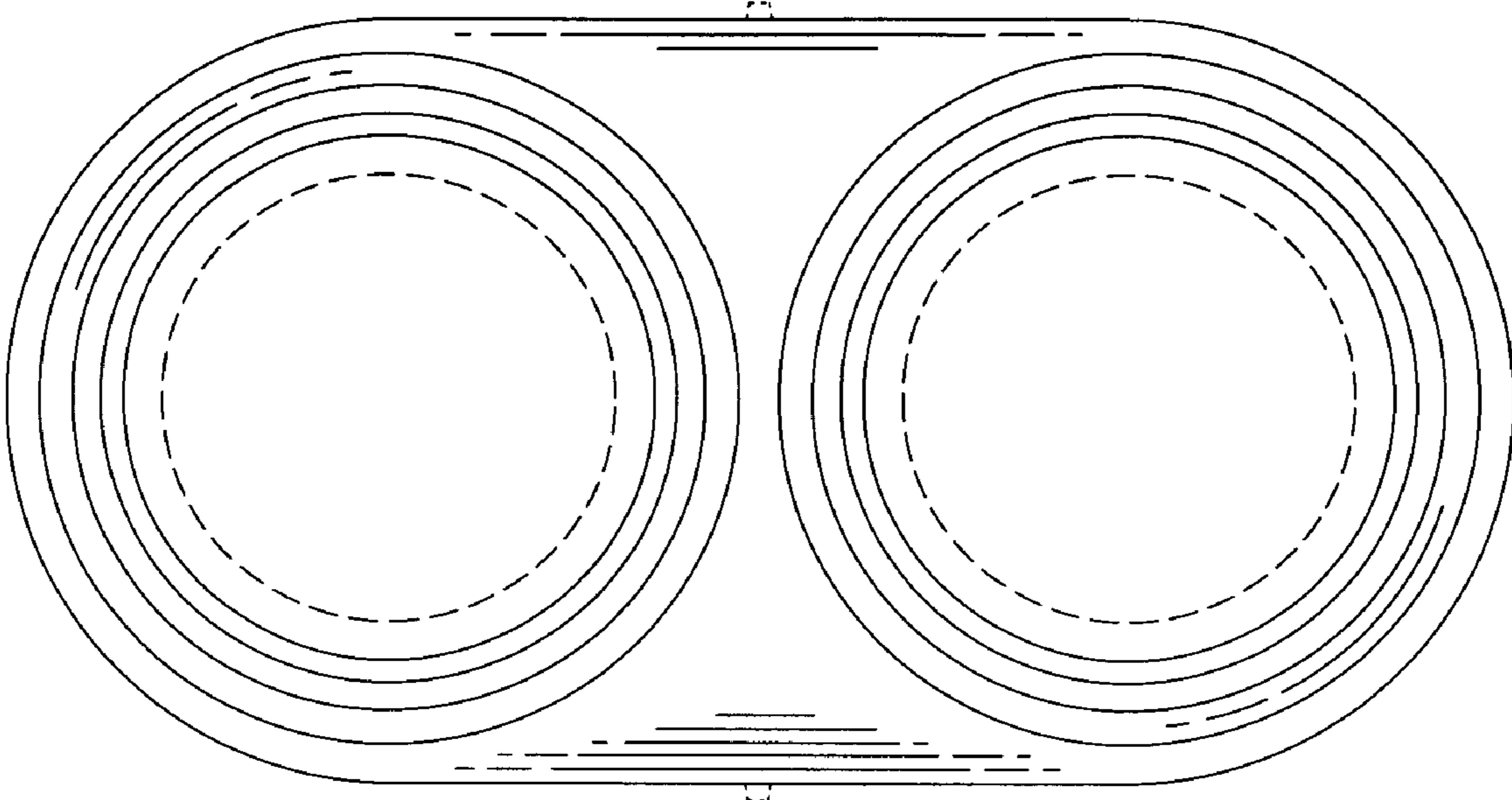


FIG. 3

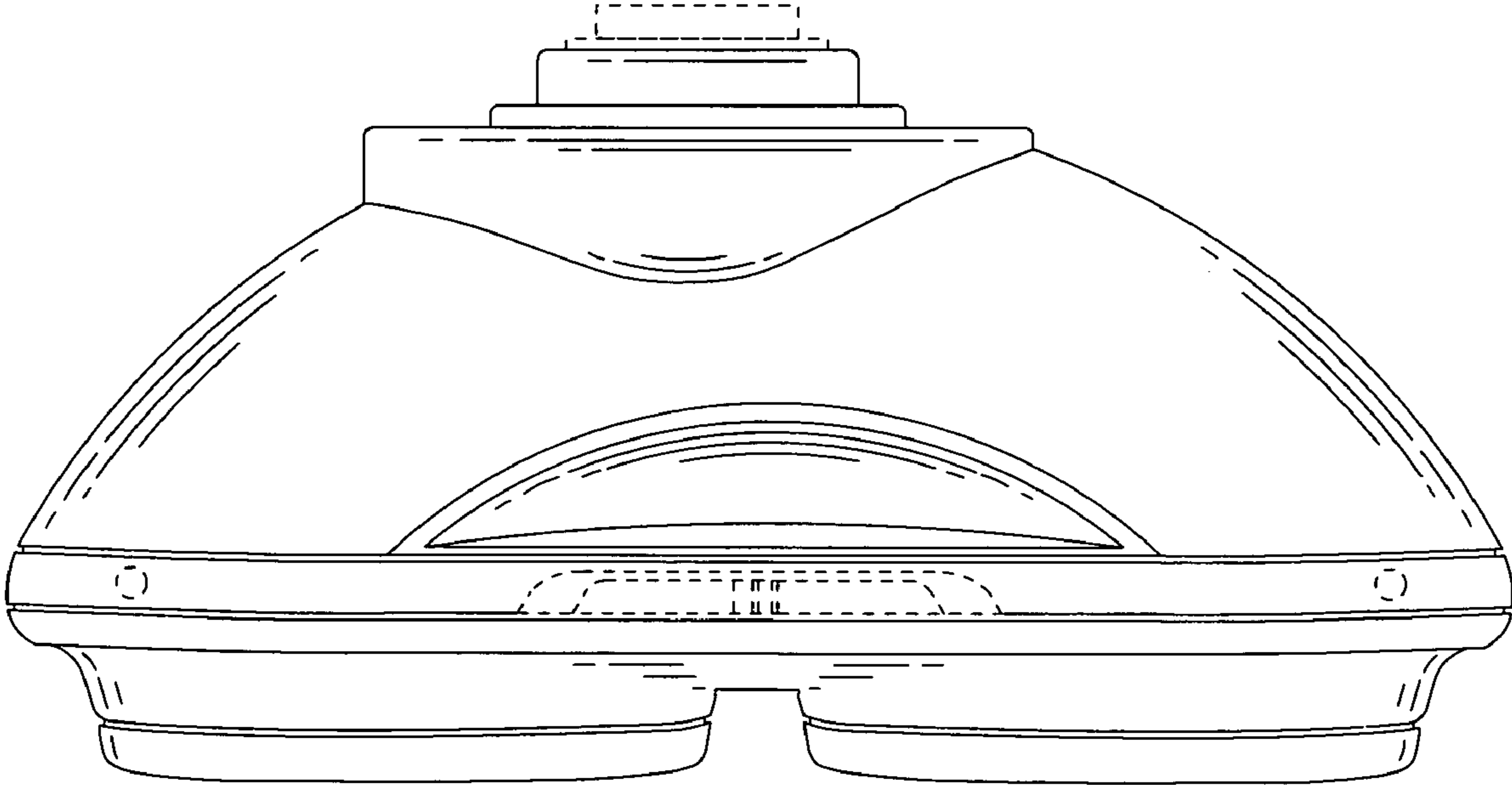


FIG. 4

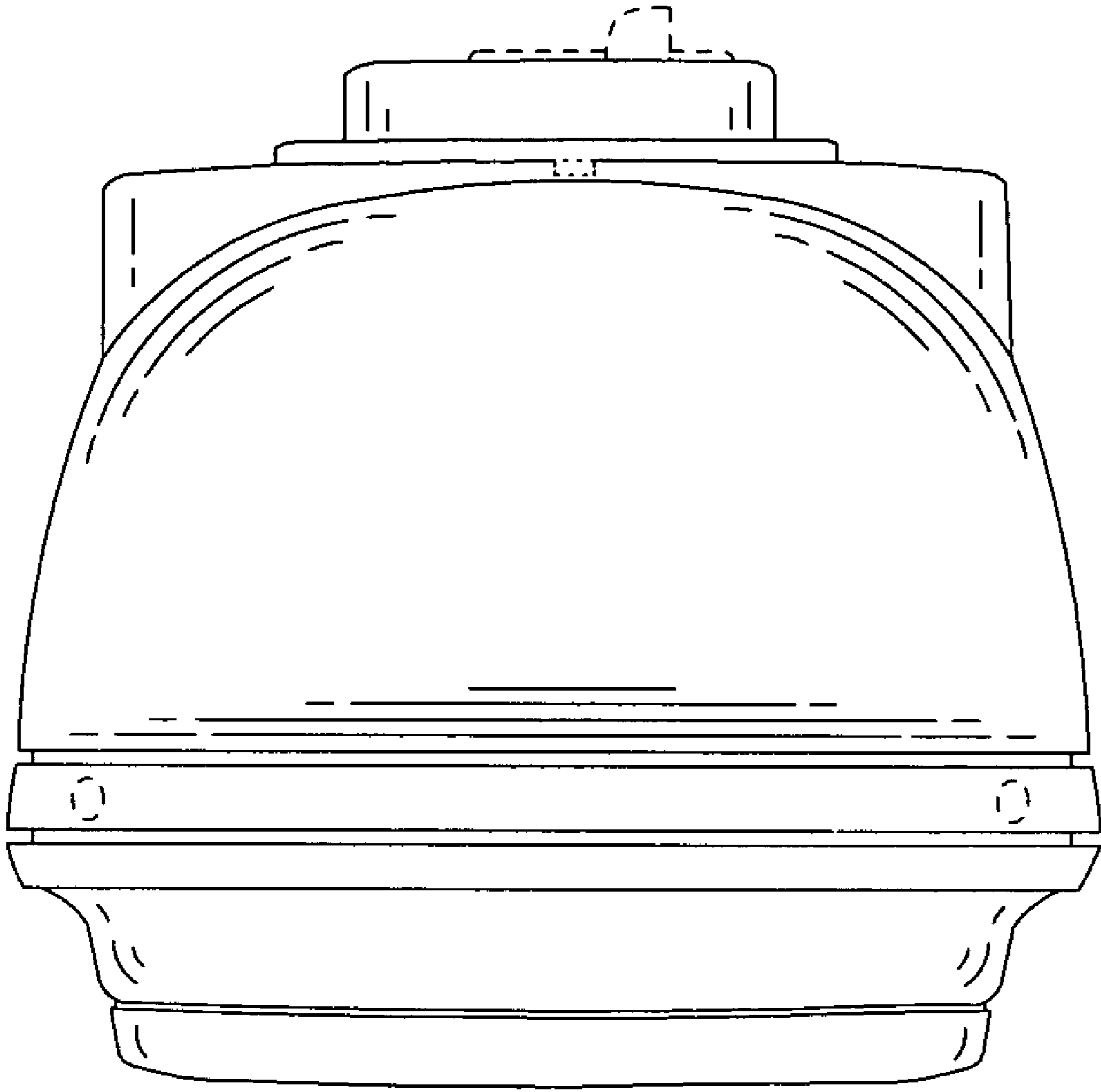


FIG. 5

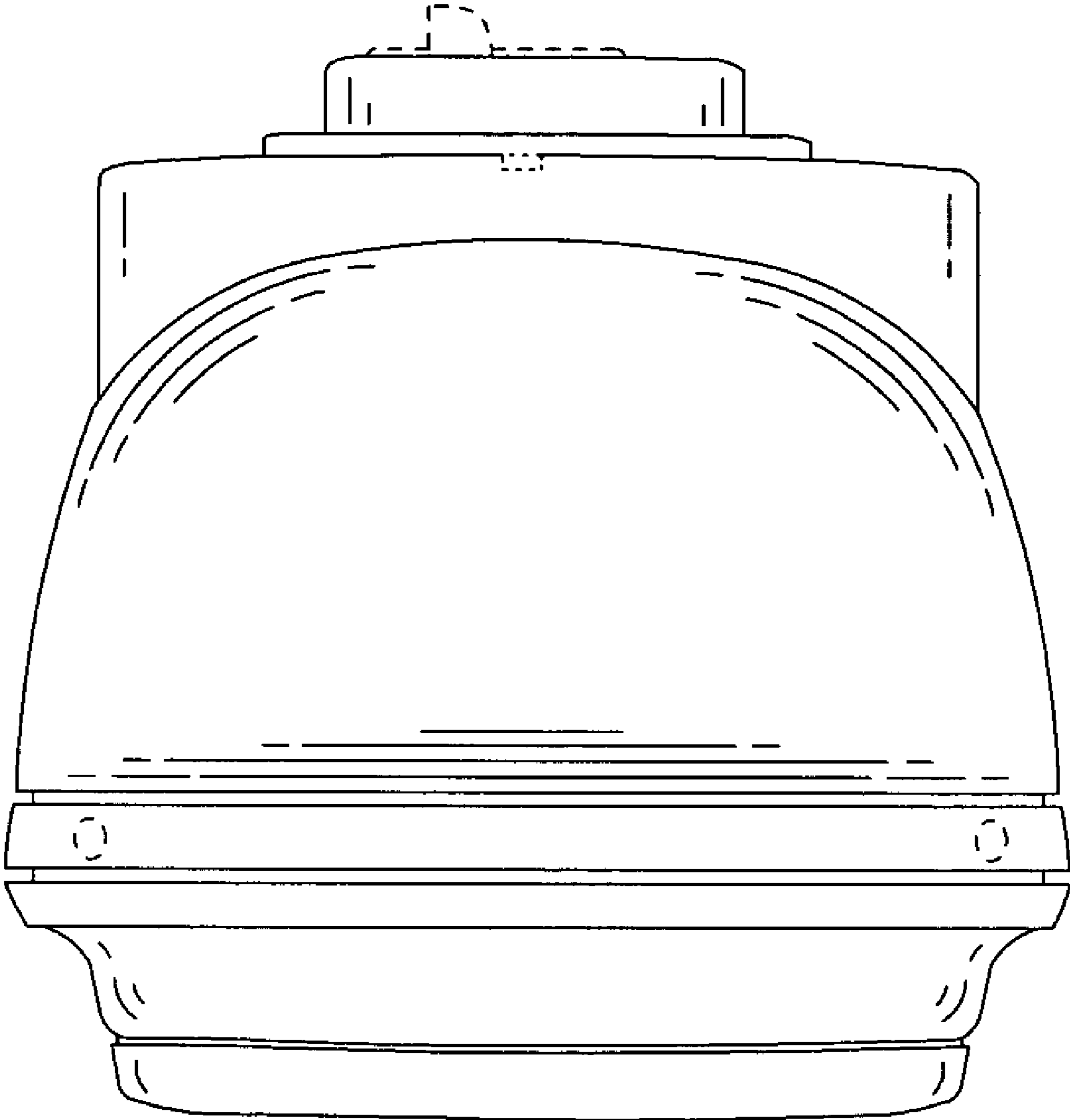


FIG. 6

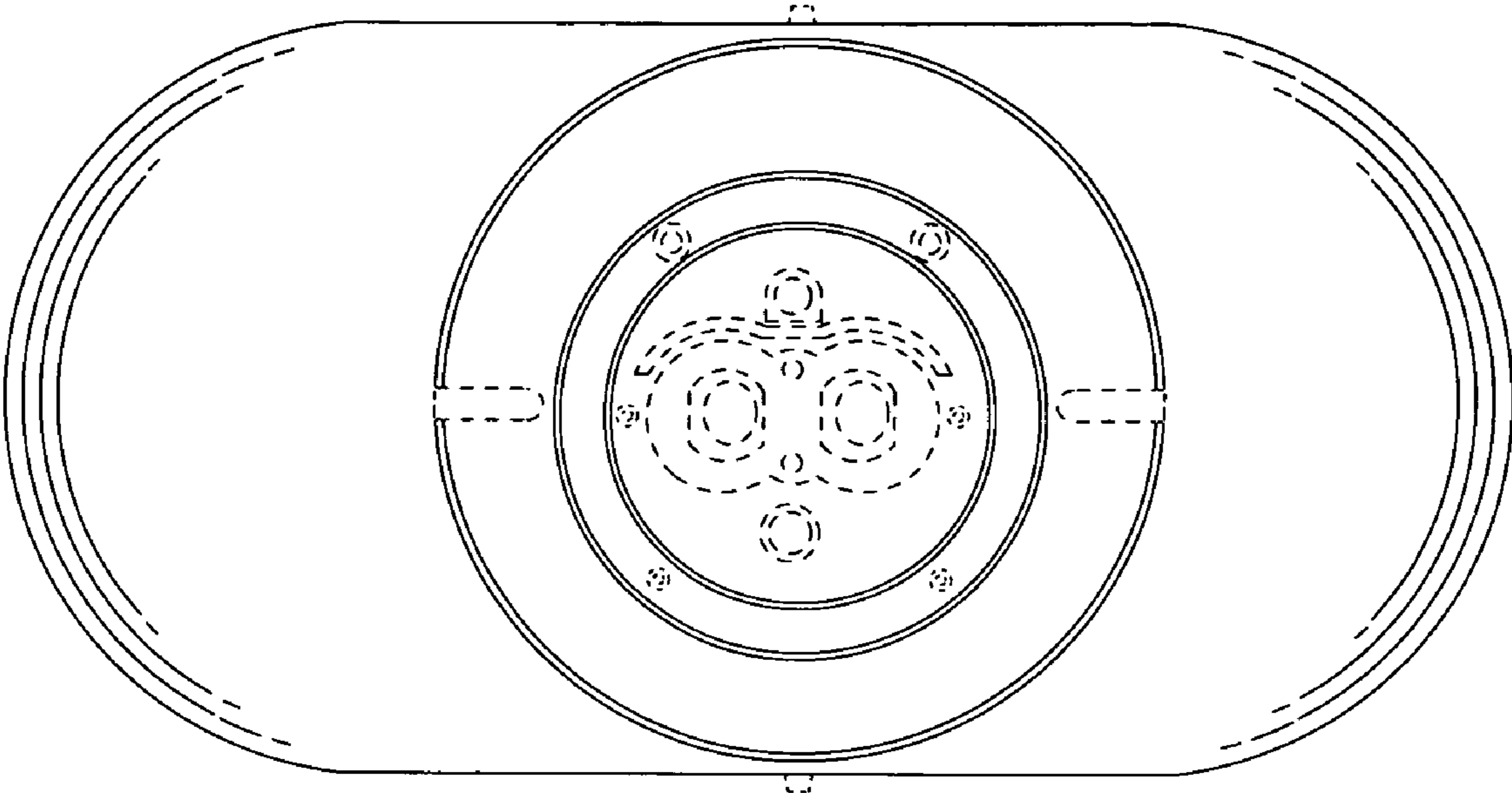


FIG. 7