



US00D613324S

(12) **United States Design Patent**  
**Sato**

(10) **Patent No.:** **US D613,324 S**  
(45) **Date of Patent:** **\*\* Apr. 6, 2010**

(54) **ELECTRONIC CAMERA**

(75) Inventor: **Jun Sato**, Kanagawa (JP)

(73) Assignee: **FUJIFILM Corporation**, Tokyo (JP)

(\*\*) Term: **14 Years**

(21) Appl. No.: **29/338,645**

(22) Filed: **Jun. 16, 2009**

(30) **Foreign Application Priority Data**

Dec. 25, 2008 (JP) ..... 2008-032835

(51) **LOC (9) Cl.** ..... **16-01**

(52) **U.S. Cl.** ..... **D16/202**

(58) **Field of Classification Search** ..... D16/200–204,  
D16/208, 218; 348/373–376; 358/909.1;  
396/535–541

See application file for complete search history.

(56) **References Cited**

**U.S. PATENT DOCUMENTS**

D565,619 S *	4/2008	Nasu	.....	D16/202
D566,741 S *	4/2008	Matsuda	.....	D16/202
D577,755 S *	9/2008	Fujii	.....	D16/202
D591,781 S *	5/2009	Matsuda	.....	D16/202
D593,143 S *	5/2009	Kuroda	.....	D16/202

D597,116 S *	7/2009	Watanabe	.....	D16/202
D605,678 S *	12/2009	Shimobayashi	.....	D16/202
2007/0212062 A1 *	9/2007	Saiki et al.	.....	396/535

\* cited by examiner

*Primary Examiner*—Adir Aronovich

(74) *Attorney, Agent, or Firm*—Young & Thompson

(57) **CLAIM**

The ornamental design for an electronic camera, as shown and described.

**DESCRIPTION**

FIG. 1 is a top, front and left side perspective view of an electronic camera showing my new design with a lens in an open and extended position;

FIG. 2 is a front elevational view thereof;

FIG. 3 is a rear elevational view thereof;

FIG. 4 is a top plan view thereof;

FIG. 5 is a bottom plan view thereof;

FIG. 6 is a left side elevational view thereof;

FIG. 7 is a right side elevational view thereof; and,

FIG. 8 is a top, front and left side perspective view thereof, with a lens in a closed and retracted position.

**1 Claim, 4 Drawing Sheets**

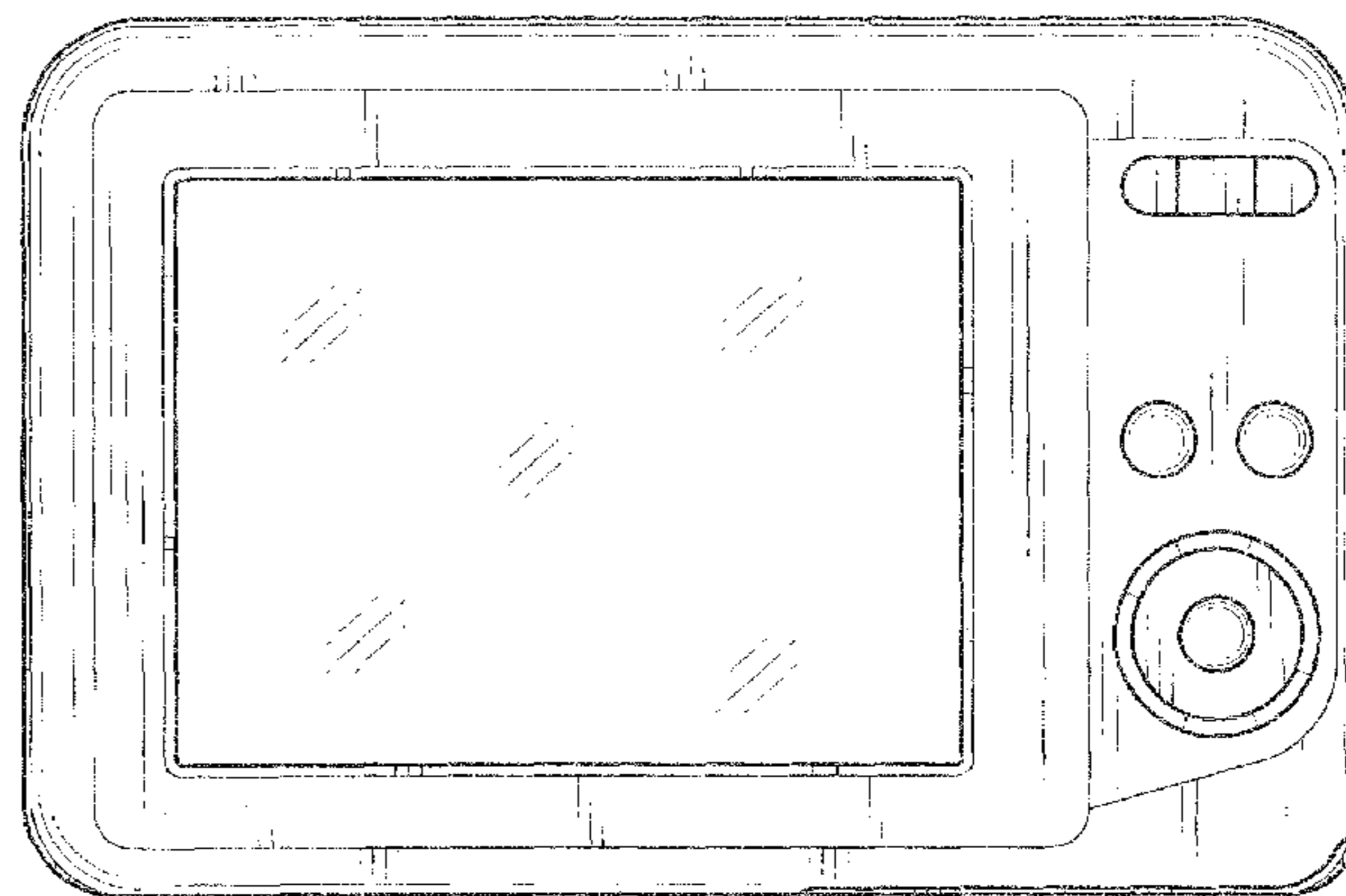
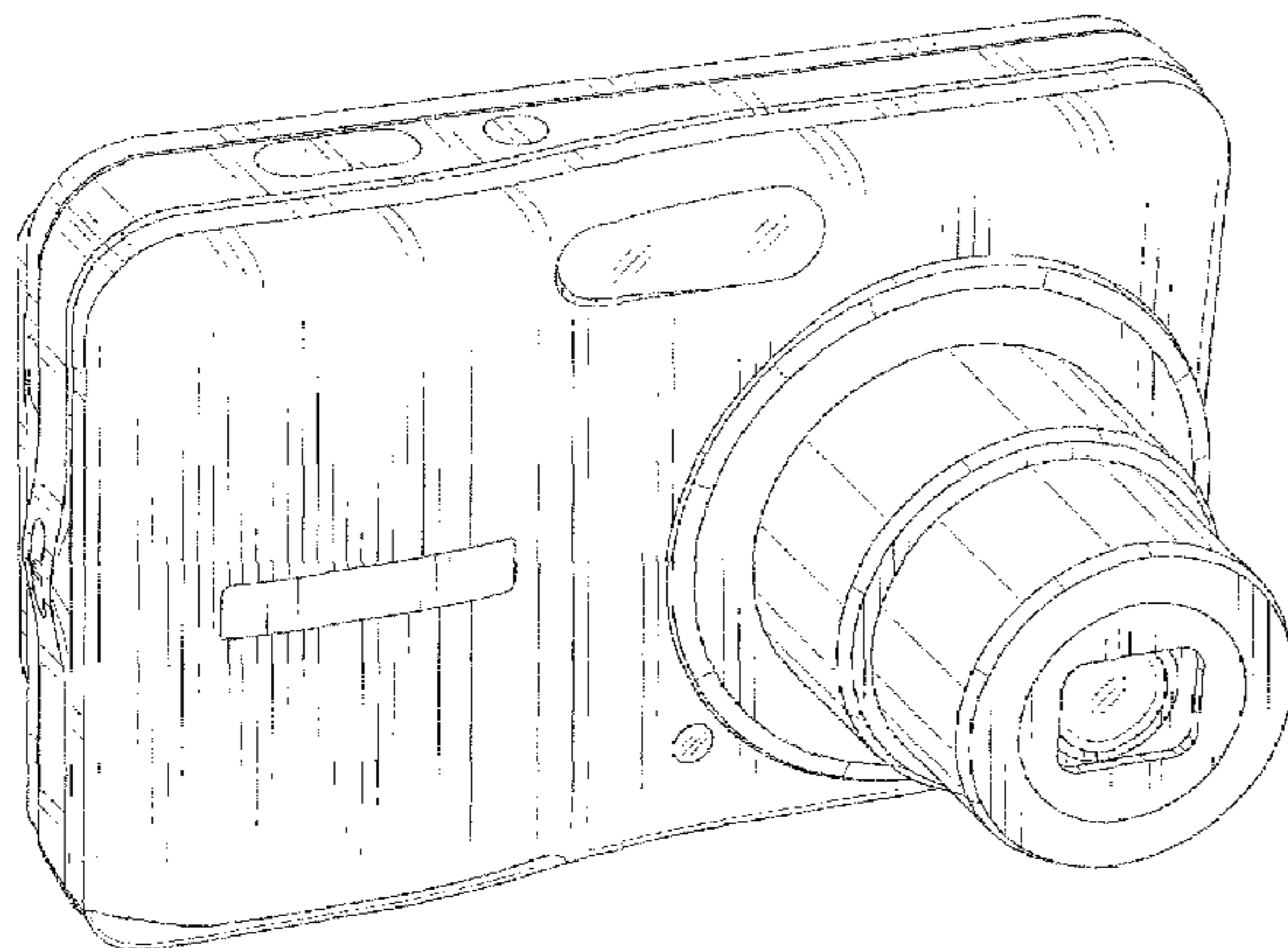


FIG.1

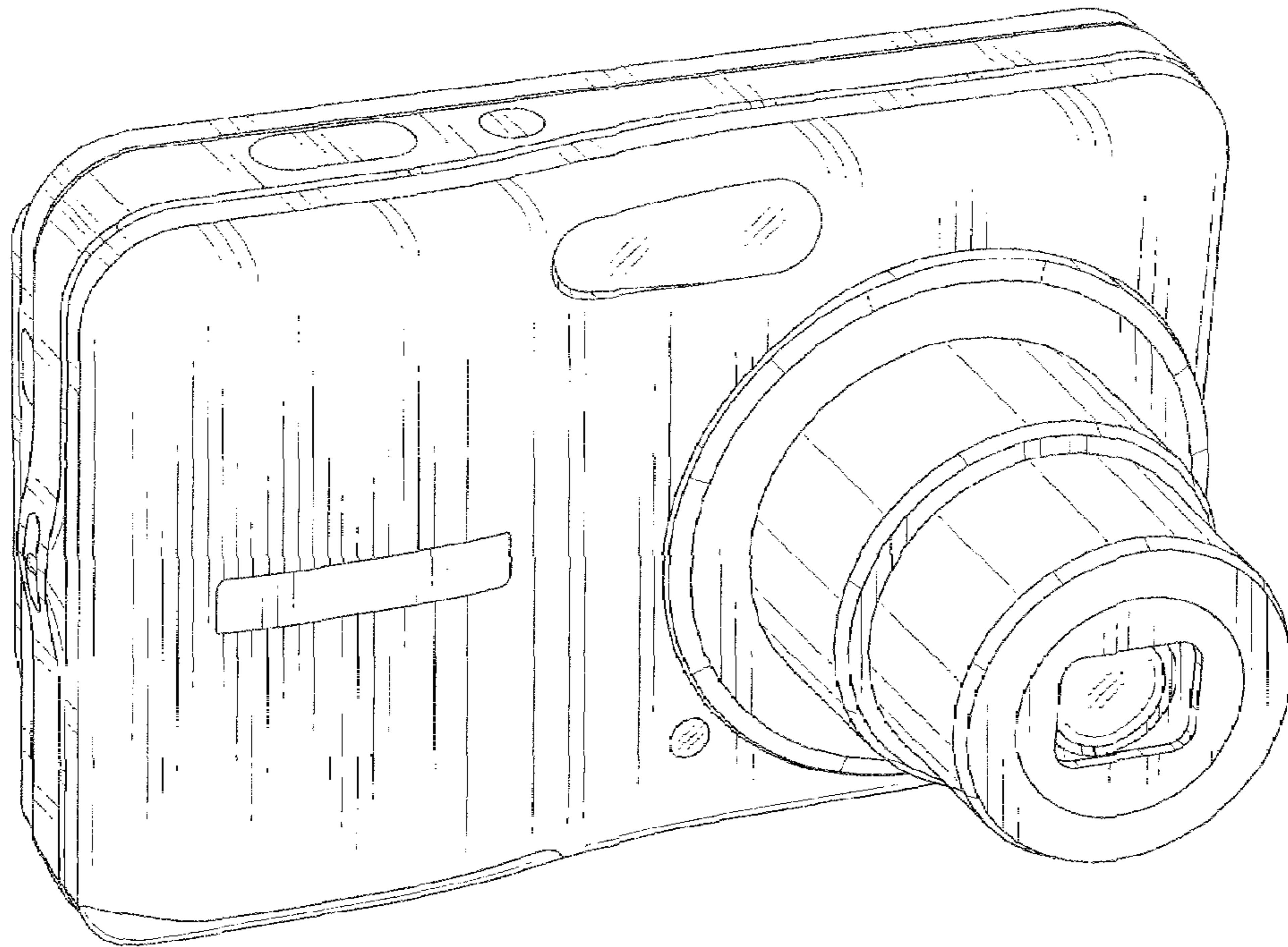


FIG.2

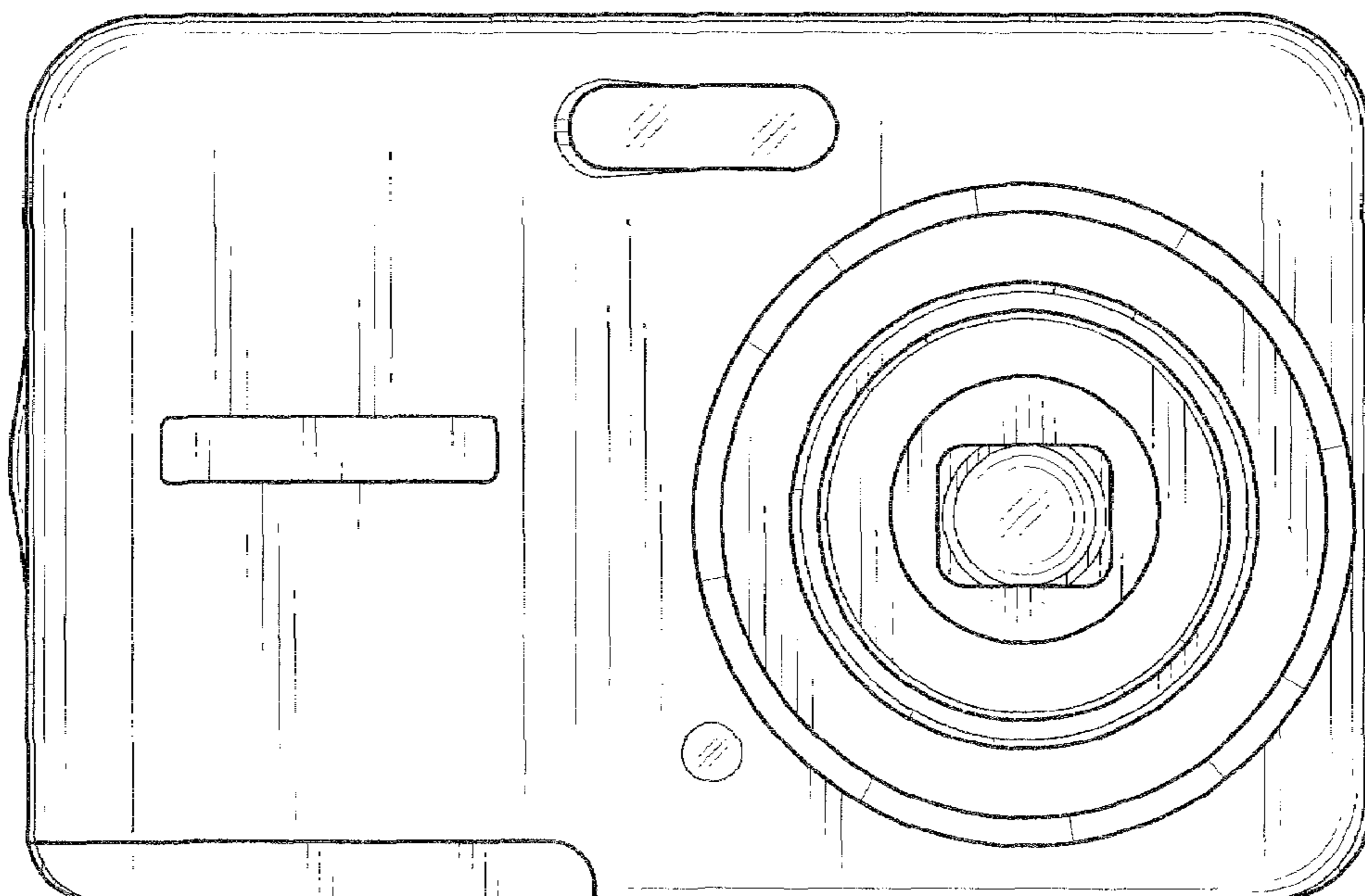


FIG. 3

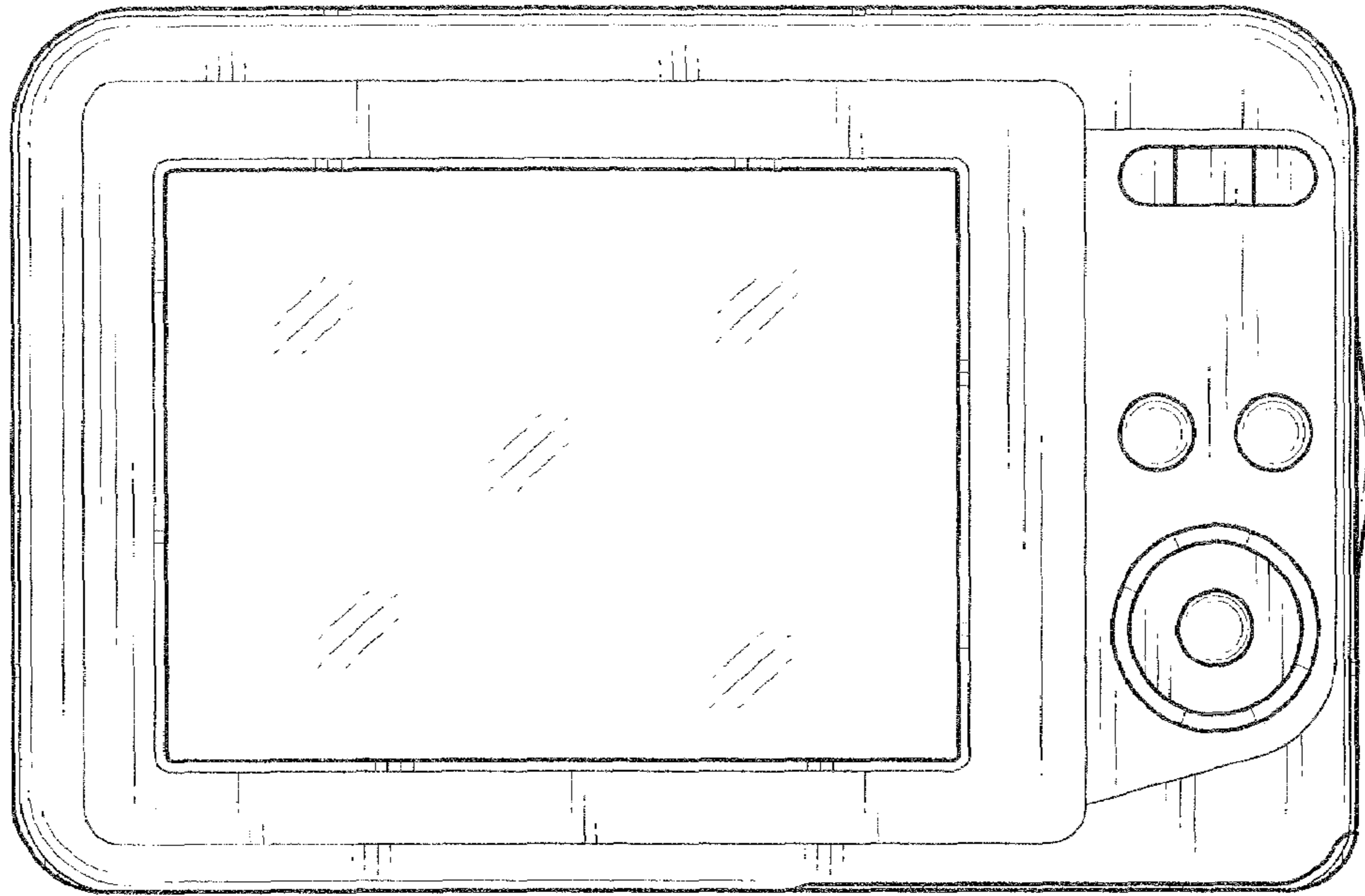


FIG. 4

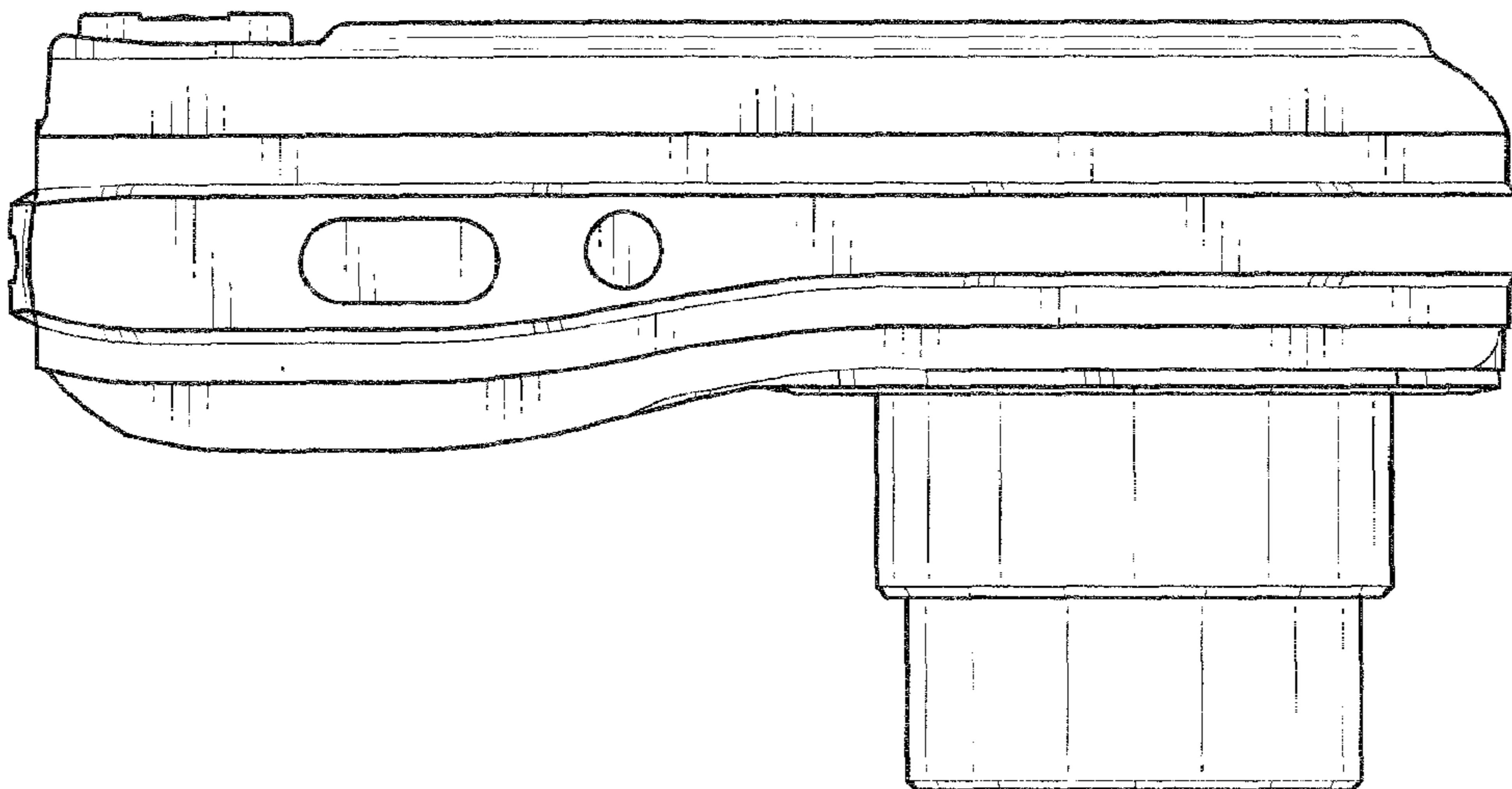


FIG. 5

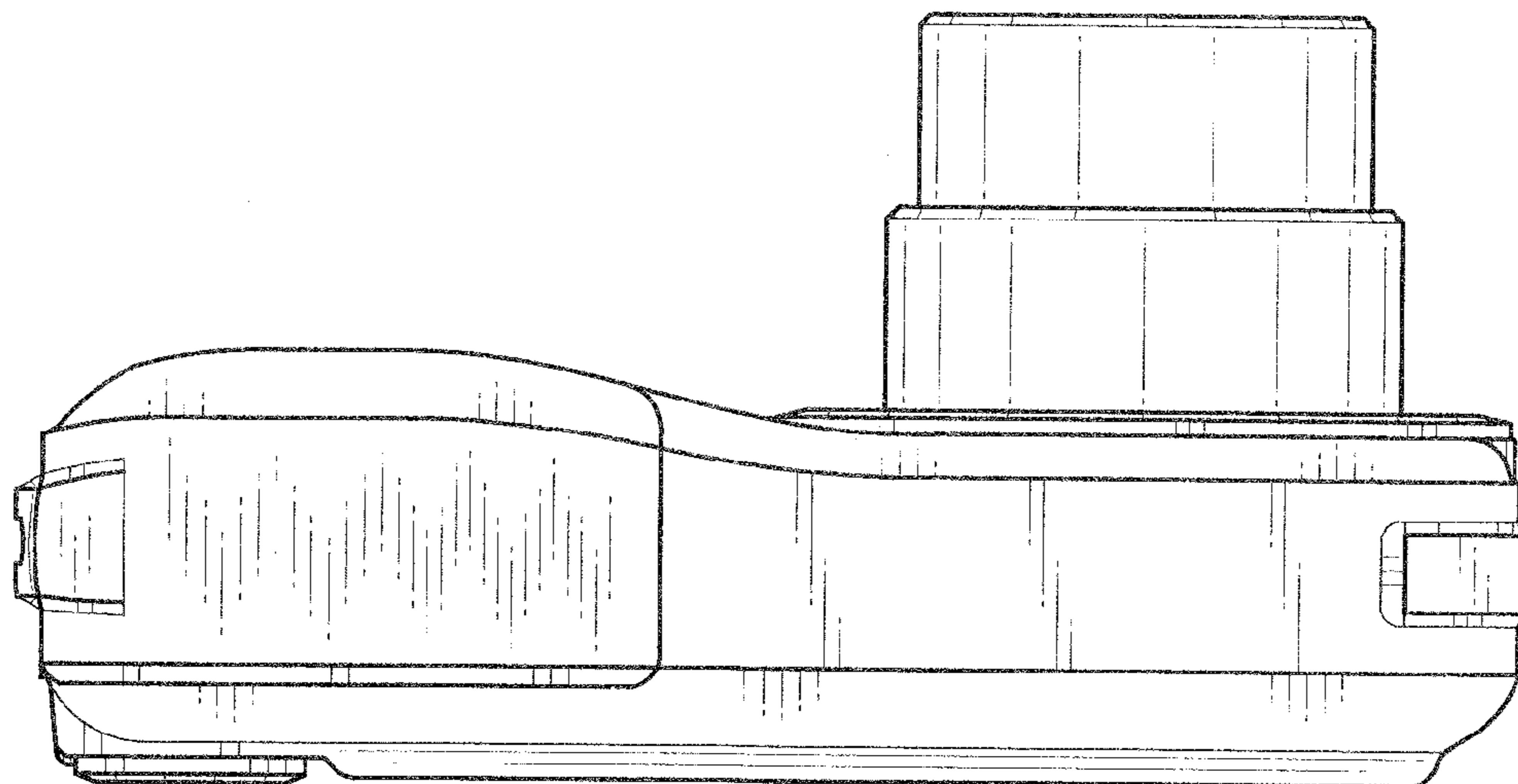


FIG. 6

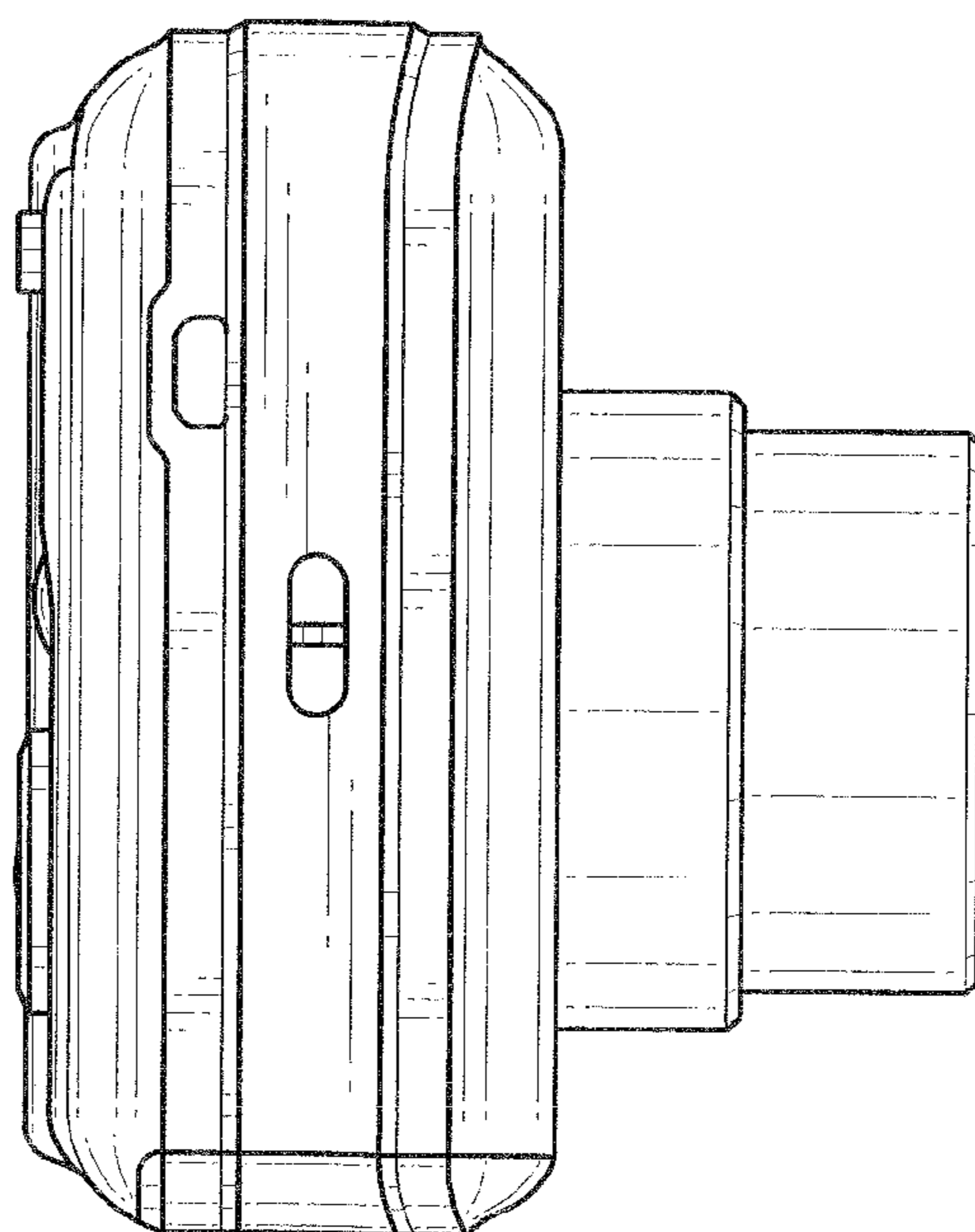


FIG. 7

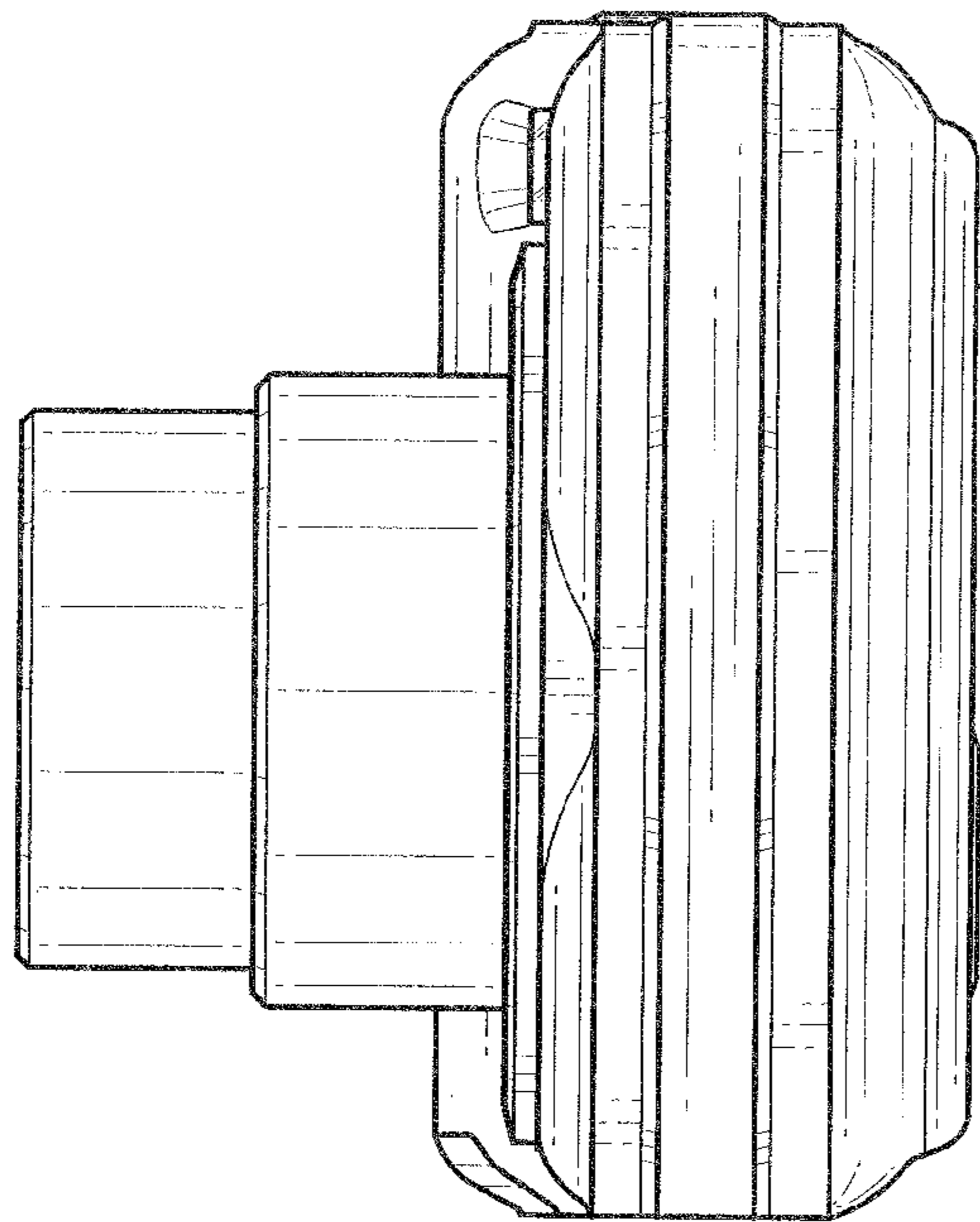


FIG. 8

