



US00D613323S

(12) **United States Design Patent**
Jang et al.

(10) **Patent No.:** **US D613,323 S**
(45) **Date of Patent:** **** Apr. 6, 2010**

- (54) **CAMCORDER**
- (75) Inventors: **Young-Sang Jang**, Kyunggi-do (KR);
Harata Tomohiro, Seoul (KR)
- (73) Assignee: **Samsung Electronics Co., Ltd.**,
Kyunggi-do (KR)
- (**) Term: **14 Years**
- (21) Appl. No.: **29/315,536**
- (22) Filed: **Jul. 2, 2009**
- (51) **LOC (9) Cl.** **16-01**
- (52) **U.S. Cl.** **D16/202; D16/203**
- (58) **Field of Classification Search** **D16/200–205,**
D16/208, 218; 348/81, 373–376; 358/906;
396/427, 535–541

See application file for complete search history.

- D552,142 S 10/2007 Chung
- D552,648 S 10/2007 Chung
- D554,676 S 11/2007 Kim
- D554,678 S 11/2007 Kim
- D556,801 S 12/2007 Kim
- D558,247 S 12/2007 Kim
- D559,290 S 1/2008 Chung
- D560,241 S 1/2008 Chung
- D560,242 S 1/2008 Chung
- D560,243 S 1/2008 Kim
- D563,450 S * 3/2008 Cheng D16/203
- D580,469 S 11/2008 Chung et al.
- D580,470 S 11/2008 Chung et al.
- D584,325 S 1/2009 Chung et al.
- D584,753 S 1/2009 Chung et al.
- D584,754 S 1/2009 Chung et al.
- D584,755 S * 1/2009 Eriksson D16/202
- D600,731 S * 9/2009 Lee et al. D16/203
- 2007/0153120 A1 * 7/2007 Kajikawa et al. 348/373
- 2008/0111914 A1 * 5/2008 Takahashi et al. 348/373

* cited by examiner

(56) **References Cited**

U.S. PATENT DOCUMENTS

- D356,806 S 3/1995 Kim
- D365,354 S 12/1995 Sung
- D366,886 S 2/1996 Choi
- D368,729 S 4/1996 Choi
- D372,925 S 8/1996 Choi
- D378,296 S 3/1997 Choi
- D383,767 S 9/1997 Sung et al.
- D386,506 S 11/1997 Choi
- D390,243 S 2/1998 Choi
- D484,901 S 1/2004 Lim
- 6,683,654 B1 * 1/2004 Haijima 348/374
- D520,044 S 5/2006 Chung et al.
- D520,545 S 5/2006 Chung et al.
- D520,546 S 5/2006 Kim
- D521,041 S 5/2006 Chung et al.
- D526,674 S 8/2006 Byun et al.
- D528,142 S 9/2006 Byun et al.
- D528,576 S 9/2006 Chung et al.
- D528,577 S 9/2006 Byun et al.
- D531,200 S * 10/2006 Taneno et al. D16/203
- D533,206 S 12/2006 Kim

Primary Examiner—Adir Aronovich
(74) *Attorney, Agent, or Firm*—Flynn, Thiel, Boutell & Tanis, P.C.

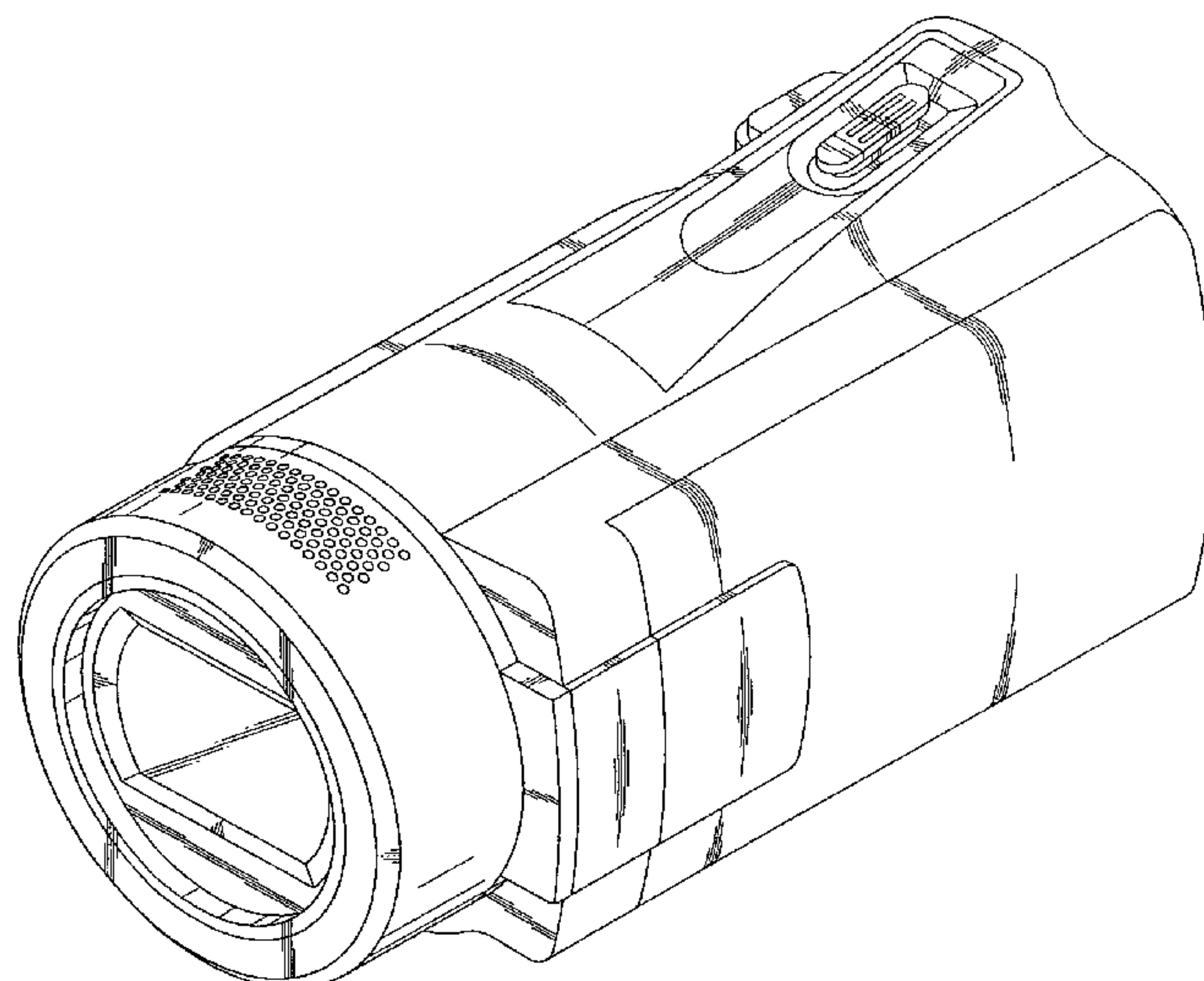
(57) **CLAIM**

The ornamental design for a camcorder, as shown and described.

DESCRIPTION

FIG. 1 is a top front perspective view of a camcorder showing our new design;
FIG. 2 is a front elevational view thereof;
FIG. 3 is a rear elevational view thereof;
FIG. 4 is a left side elevational view thereof;
FIG. 5 is a right side elevational view thereof;
FIG. 6 is a top plan view thereof; and,
FIG. 7 is a bottom plan view thereof.

1 Claim, 4 Drawing Sheets



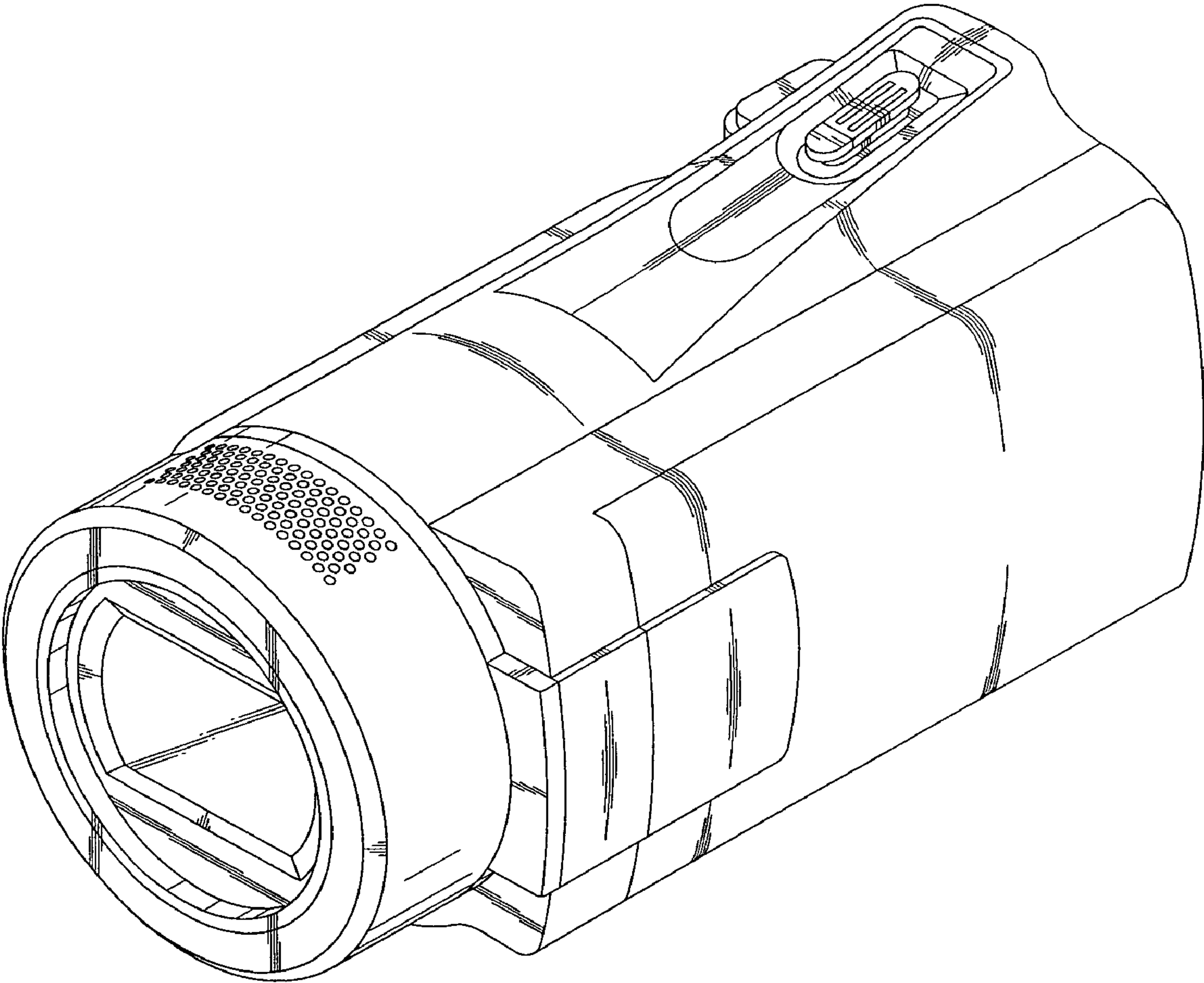


FIG. 1

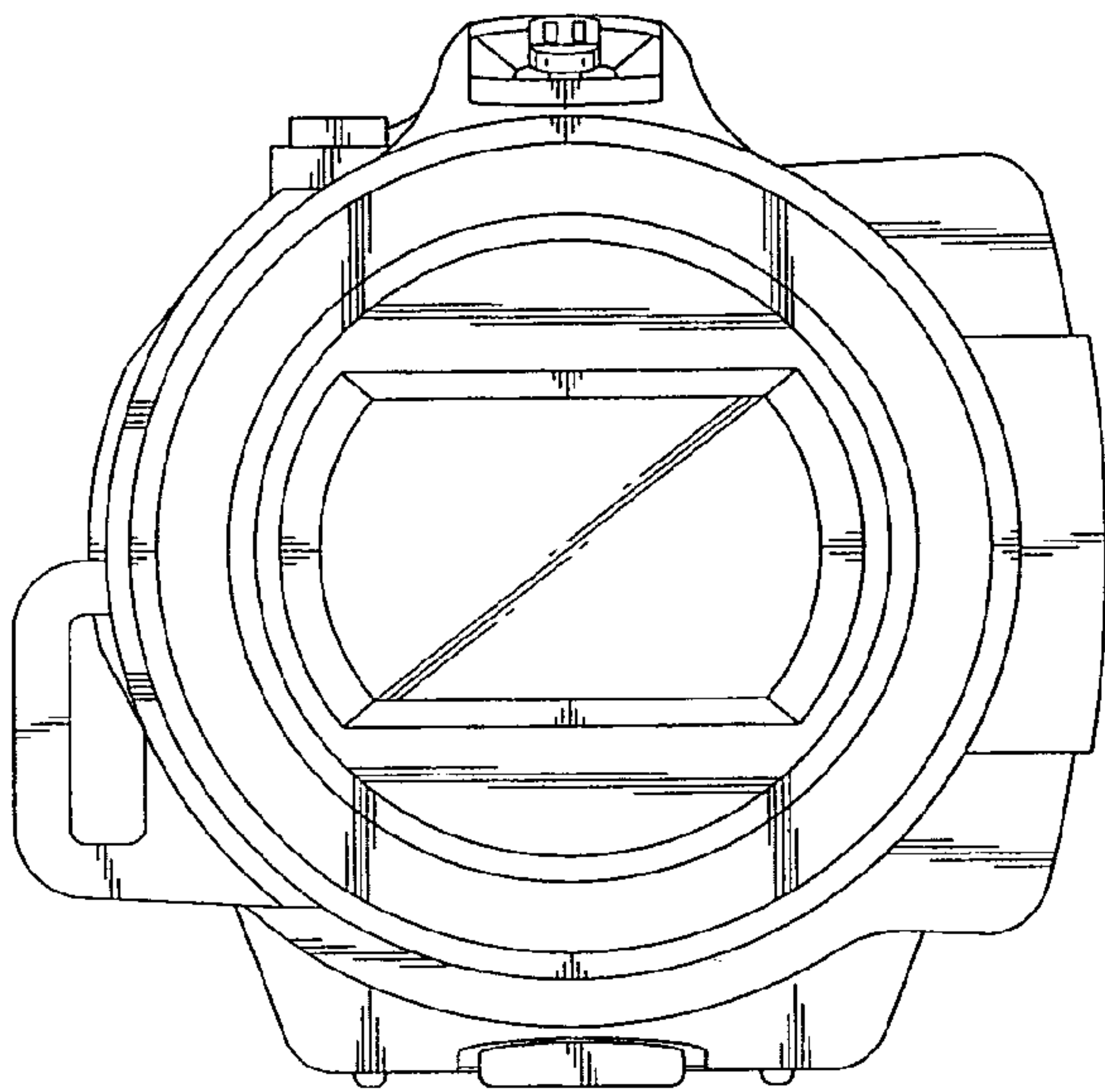


FIG. 2

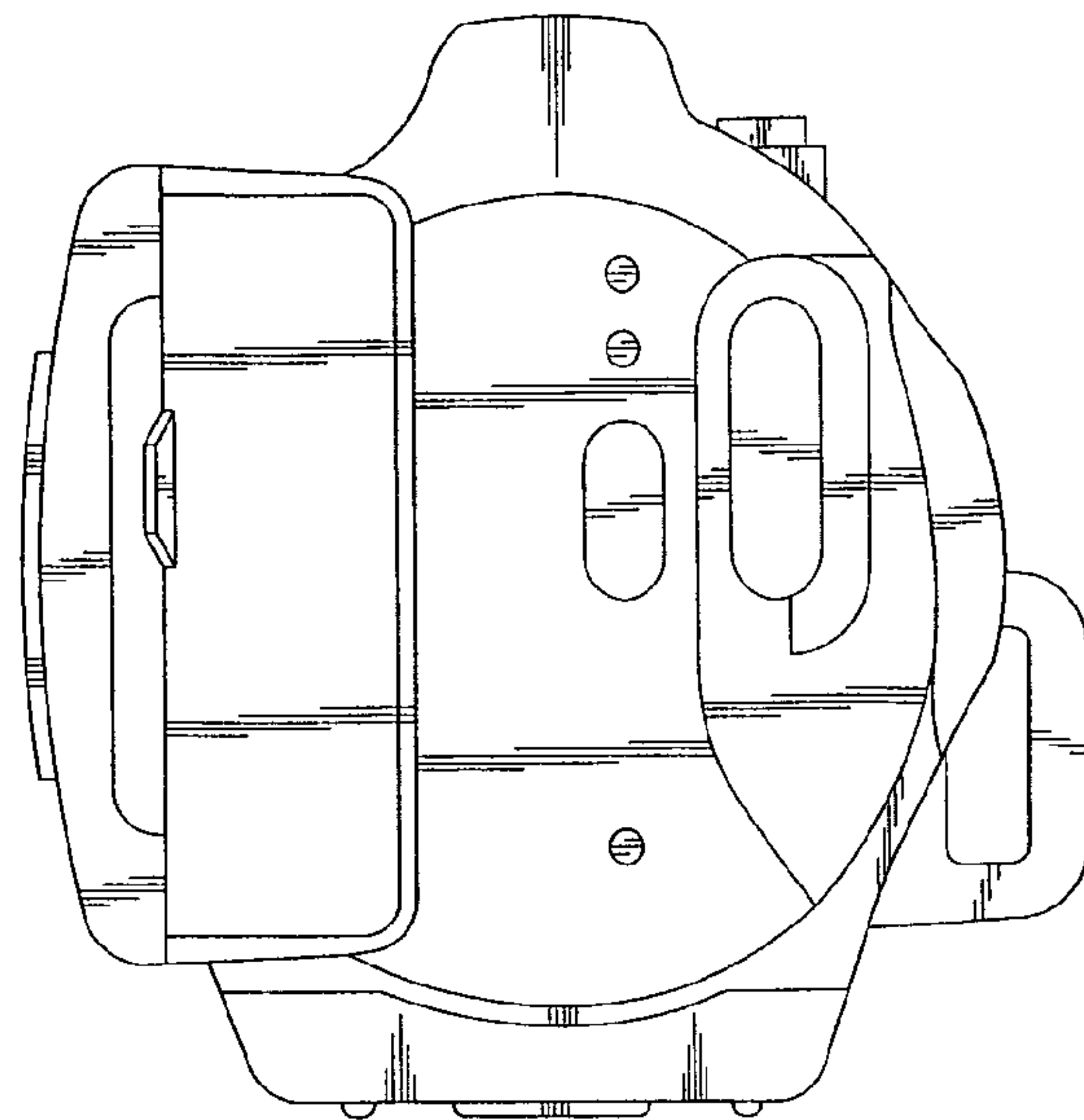


FIG. 3

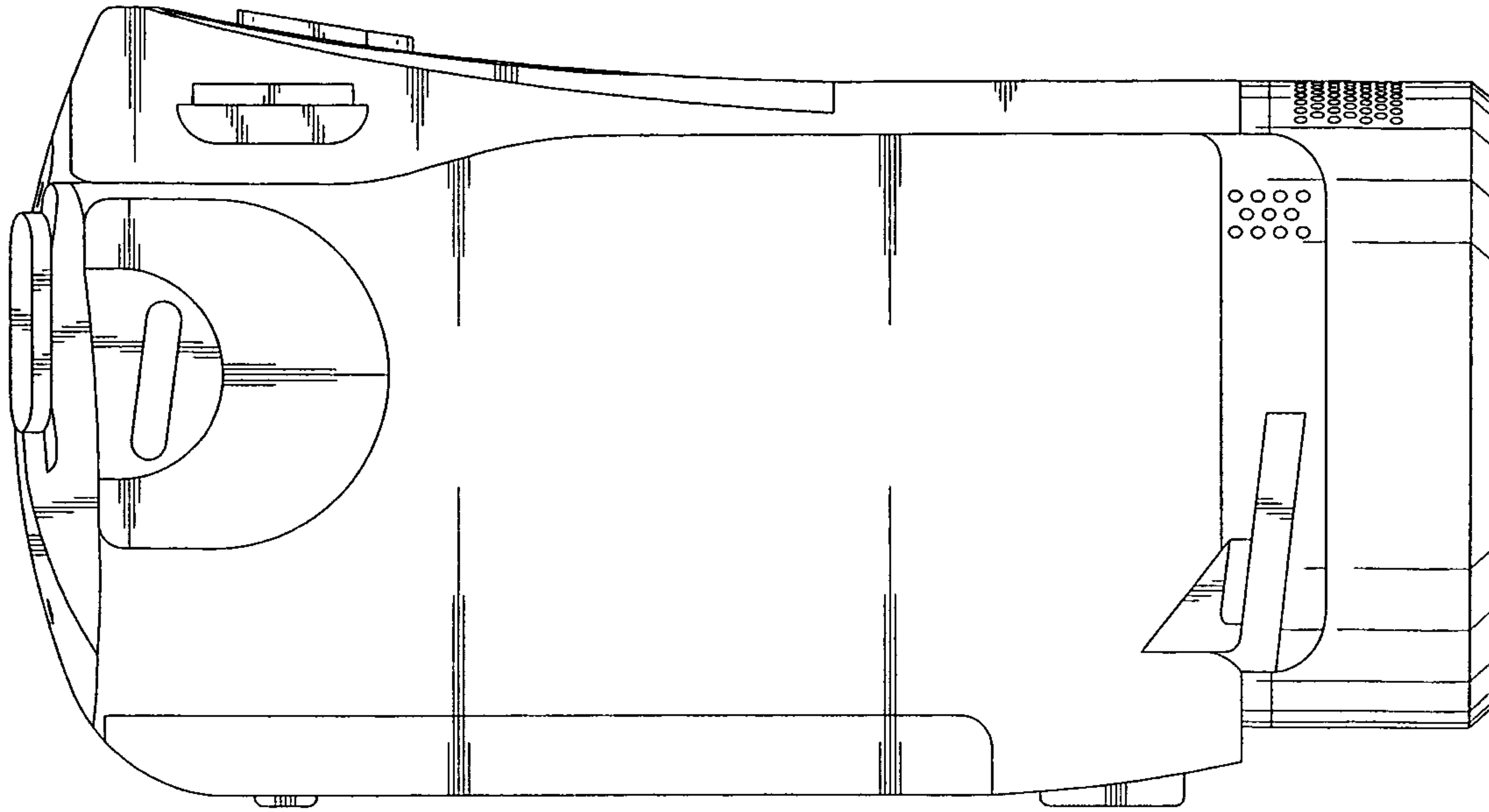


FIG. 4

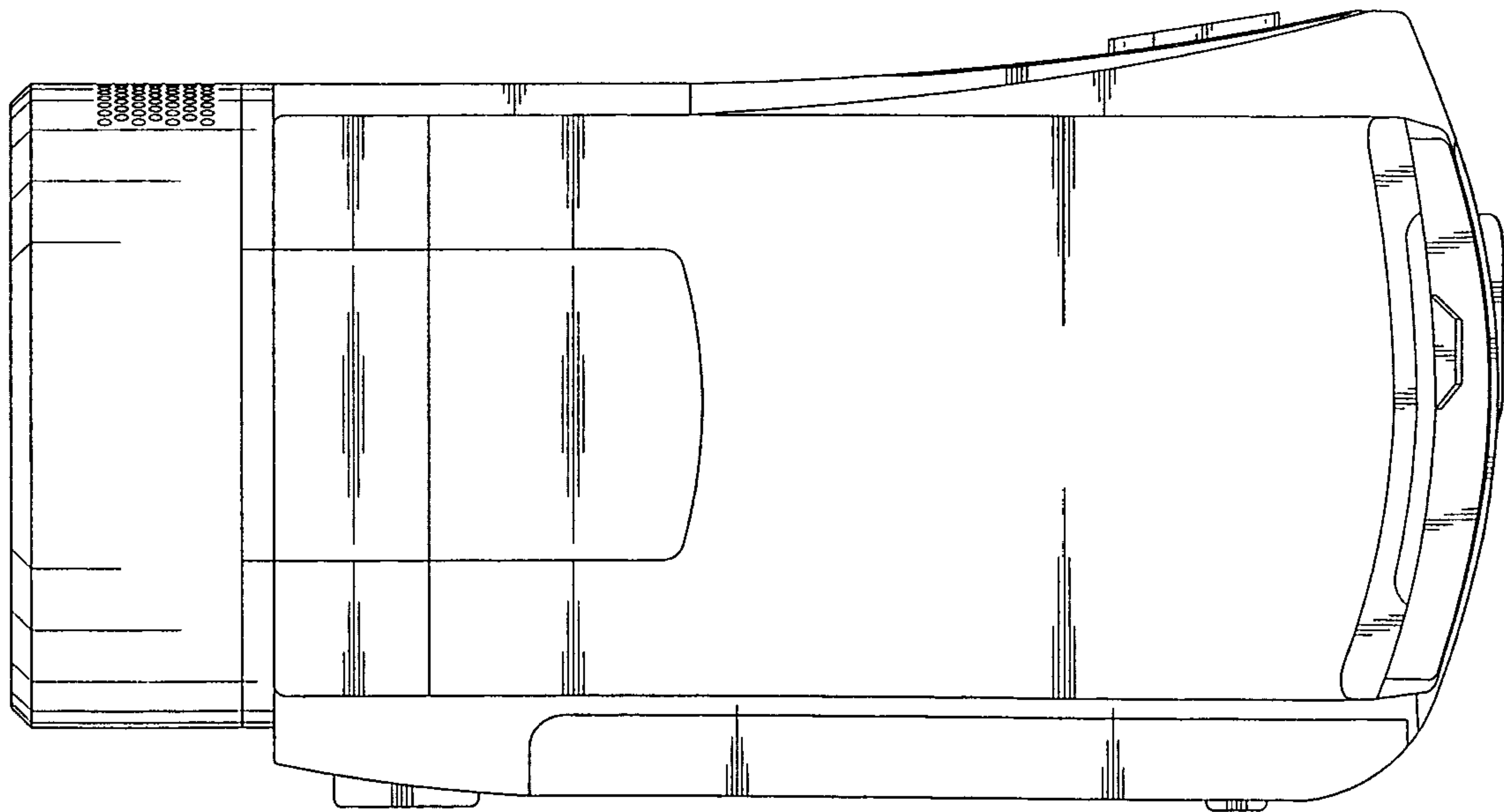


FIG. 5

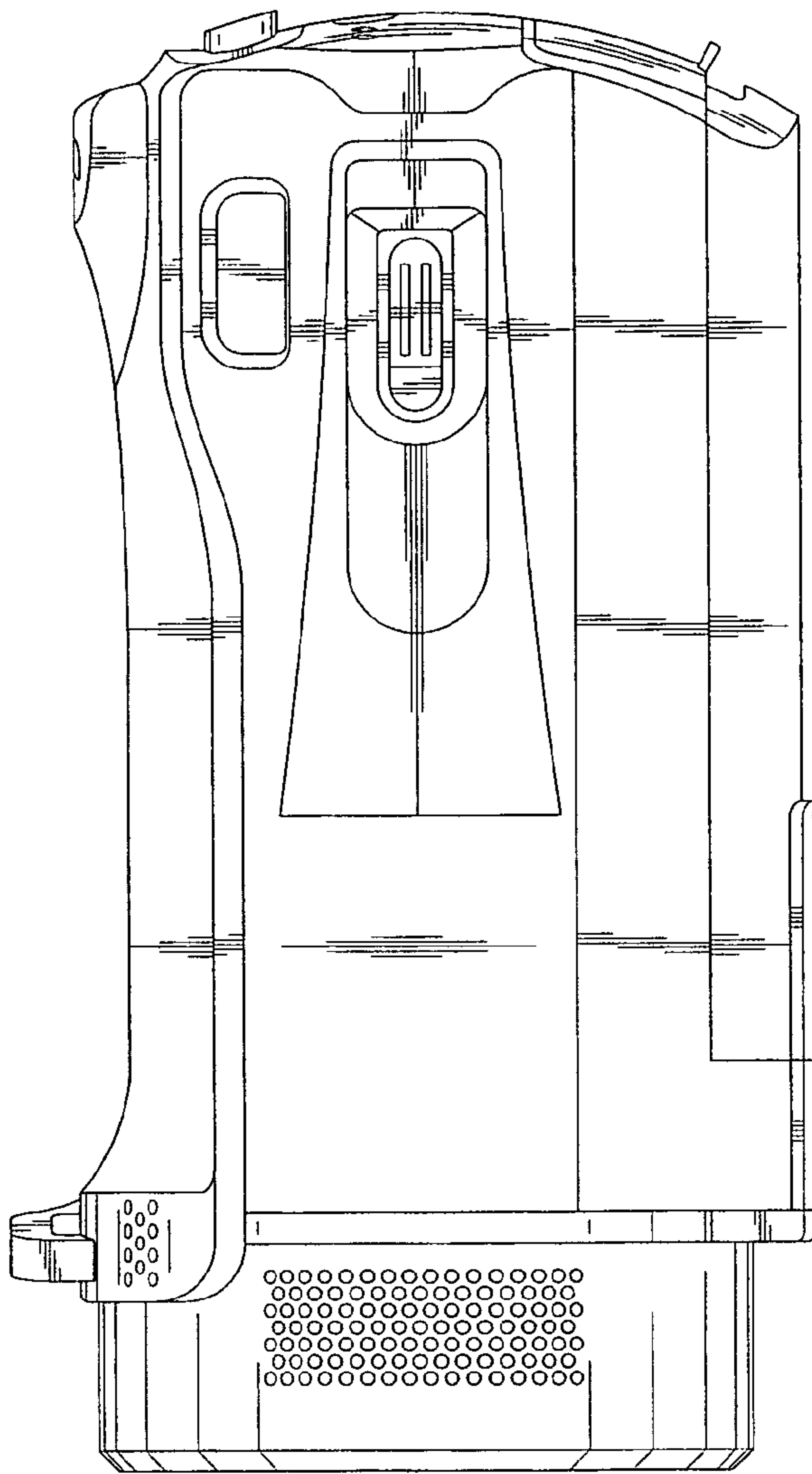


FIG. 6

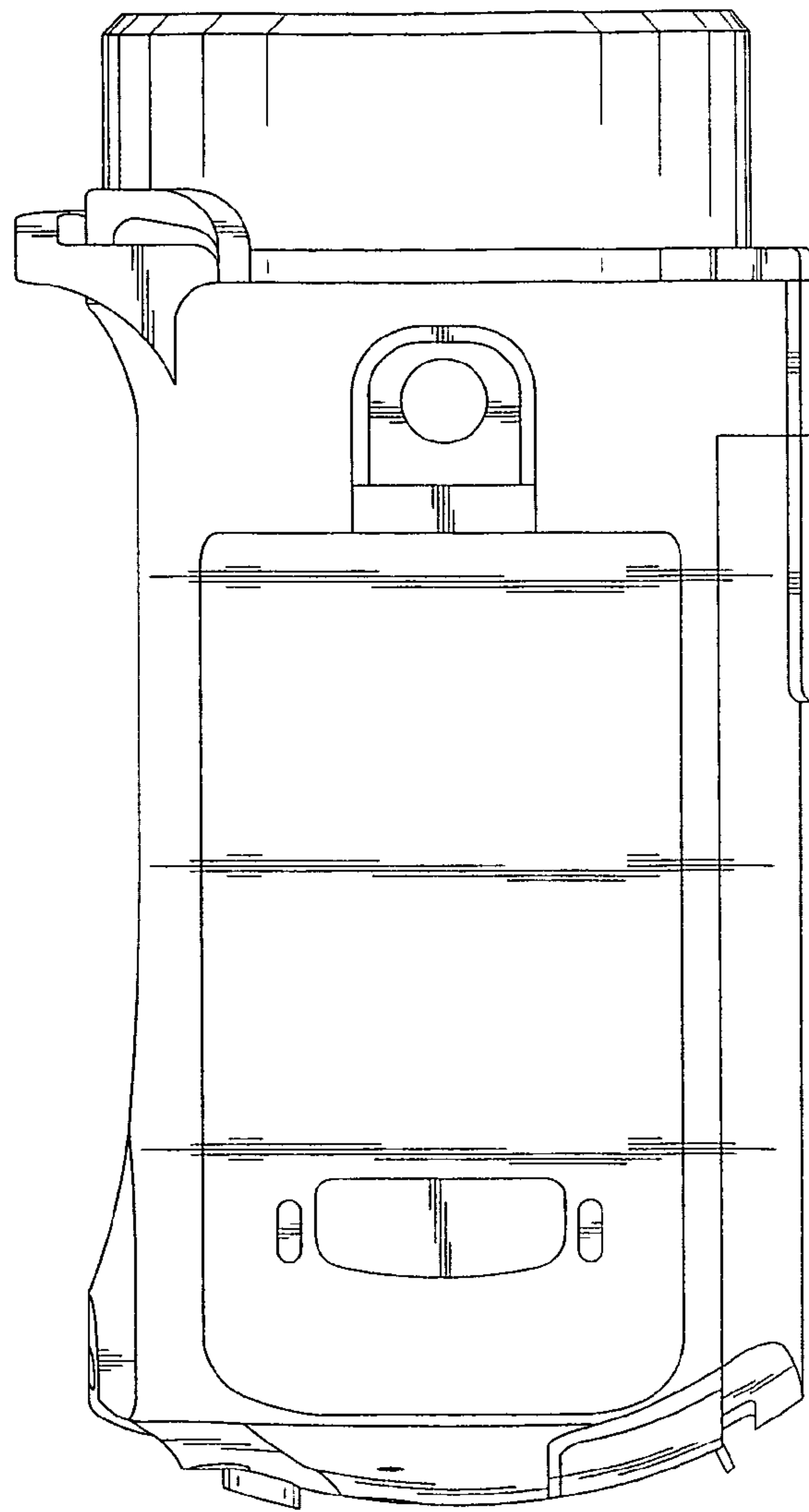


FIG. 7