



US00D613322S

(12) **United States Design Patent**
York

(10) **Patent No.:** **US D613,322 S**
(45) **Date of Patent:** **** Apr. 6, 2010**

(54) **RIFLESCOPE**

(75) Inventor: **Andrew W. York**, Portland, OR (US)

(73) Assignee: **Leupold & Stevens, Inc.**, Beaverton, OR (US)

(**) Term: **14 Years**

(21) Appl. No.: **29/337,855**

(22) Filed: **May 29, 2009**

Related U.S. Application Data

(62) Division of application No. 29/326,852, filed on Oct. 24, 2008, now Pat. No. Des. 594,495, which is a division of application No. 29/223,707, filed on Feb. 16, 2005, now Pat. No. Des. 579,471.

(51) **LOC (9) Cl.** **16-06**

(52) **U.S. Cl.** **D16/132; D22/109**

(58) **Field of Classification Search** D16/132, D16/130, 133, 330, 134; D22/108-110, D22/199; 359/399, 823, 744, 351; 42/111, 42/133, 119, 122, 125

See application file for complete search history.

(56) **References Cited**

U.S. PATENT DOCUMENTS

D275,495 S * 9/1984 Tominaga D16/132
5,180,875 A * 1/1993 Berry et al. 42/122
D349,510 S * 8/1994 Tomita D16/132
5,787,630 A * 8/1998 Martel 42/125
5,946,132 A * 8/1999 Phillips 359/351
6,269,581 B1 * 8/2001 Groh 42/122

D454,144 S * 3/2002 Ogasawara et al. D16/132
D476,714 S * 7/2003 Meinzer D22/109
D515,118 S * 2/2006 Larsson et al. D16/132
D522,084 S * 5/2006 Primeau, IV D22/109
D550,263 S * 9/2007 Zhou D16/132
D572,740 S * 7/2008 Kitera D16/132
D579,960 S * 11/2008 Kung D16/132

FOREIGN PATENT DOCUMENTS

DE 3326464 A1 1/1985

* cited by examiner

Primary Examiner—T. Chase Nelson

Assistant Examiner—David G Muller

(74) *Attorney, Agent, or Firm*—Stoel Rives LLP

(57) **CLAIM**

I claim the ornamental design for a riflescope, as shown and described.

DESCRIPTION

FIG. 1 is an isometric view of a riflescope in accordance with an embodiment of the invention;

FIG. 2 is a left side elevation of the riflescope of FIG. 1, of which the right side elevation (not shown) is a mirror image;

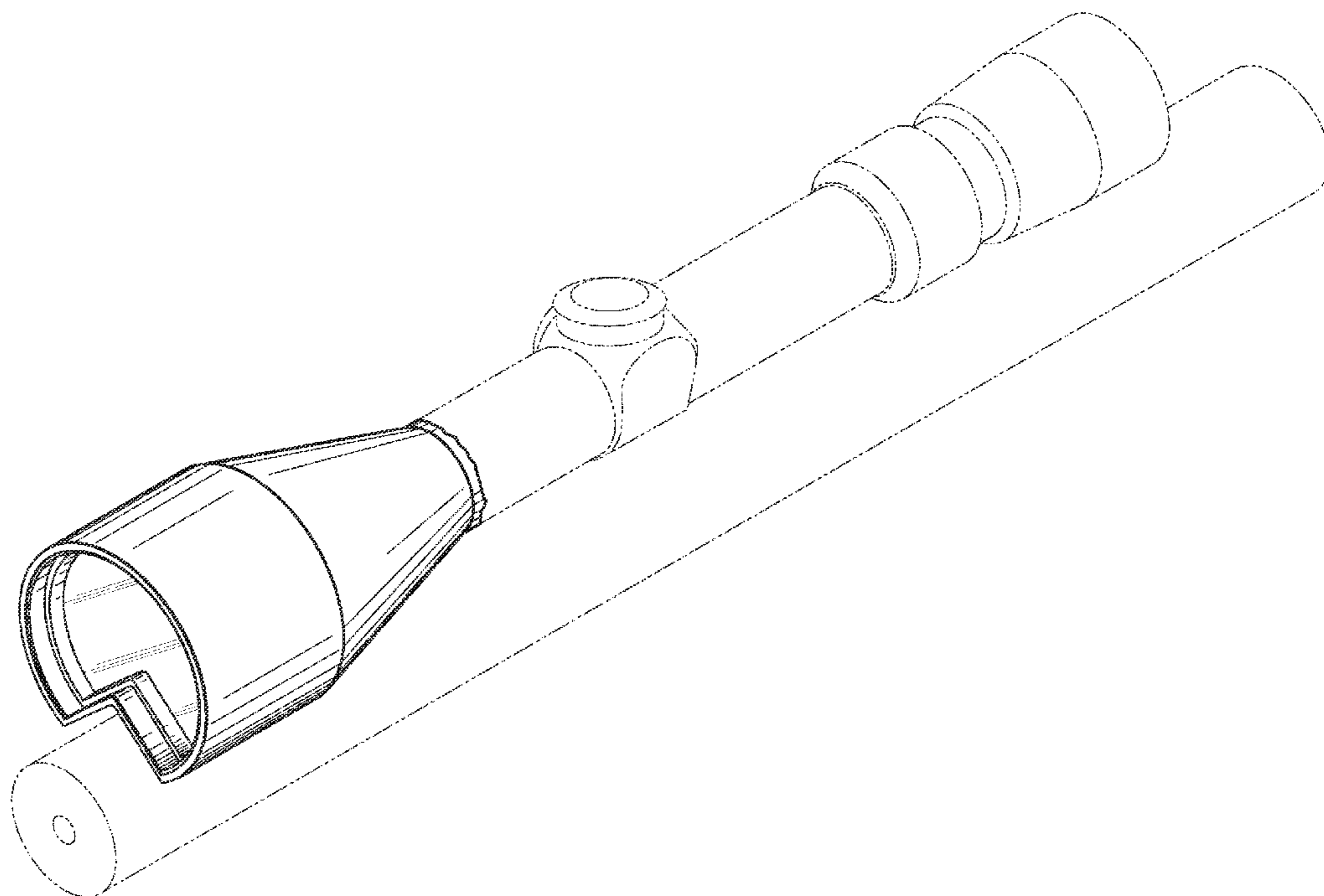
FIG. 3 is an objective end elevation of the riflescope of FIG. 1;

FIG. 4 is a top plan view of the riflescope of FIG. 1; and,

FIG. 5 is a bottom plan view of the riflescope of FIG. 1.

The broken line showing of parts of the drawings is included for the purpose of illustrating use and environment and forms no part of the claimed design.

1 Claim, 2 Drawing Sheets



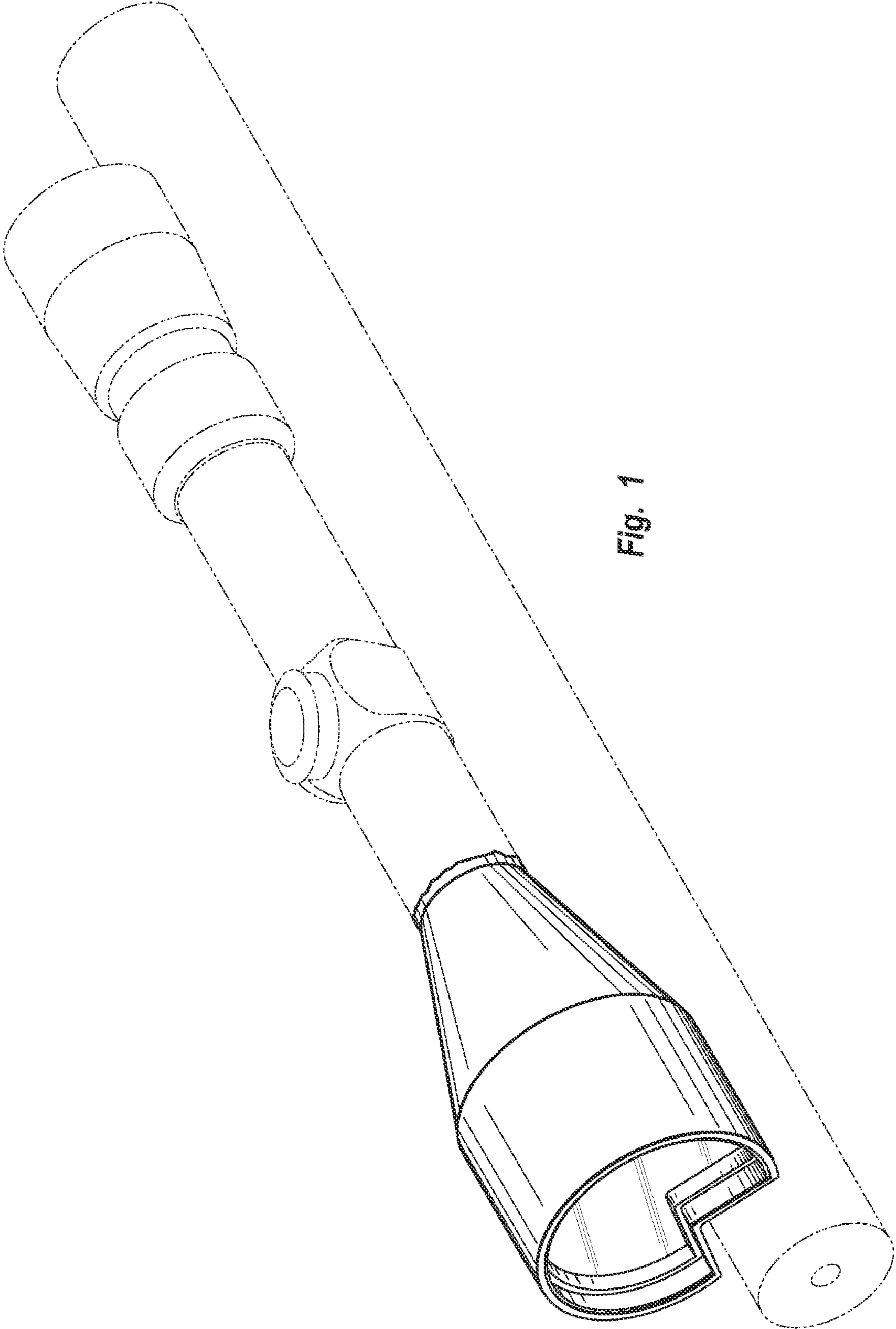


Fig. 1

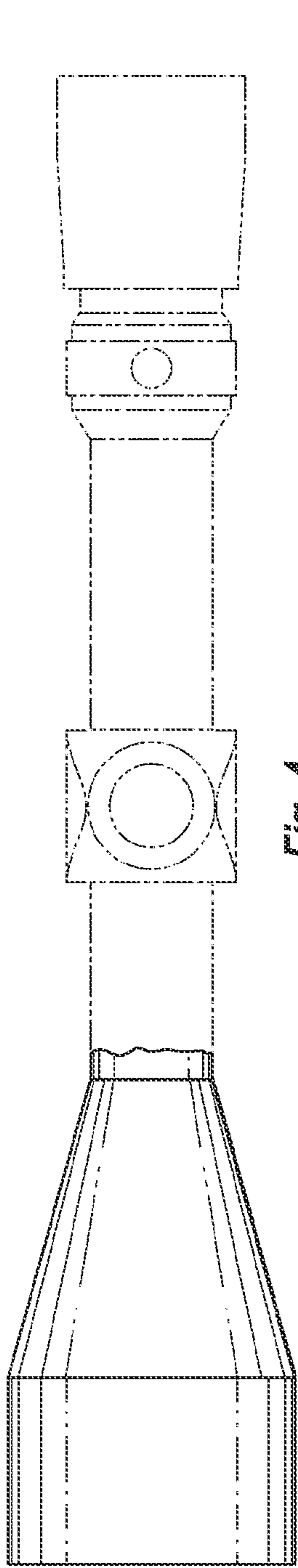


Fig. 4

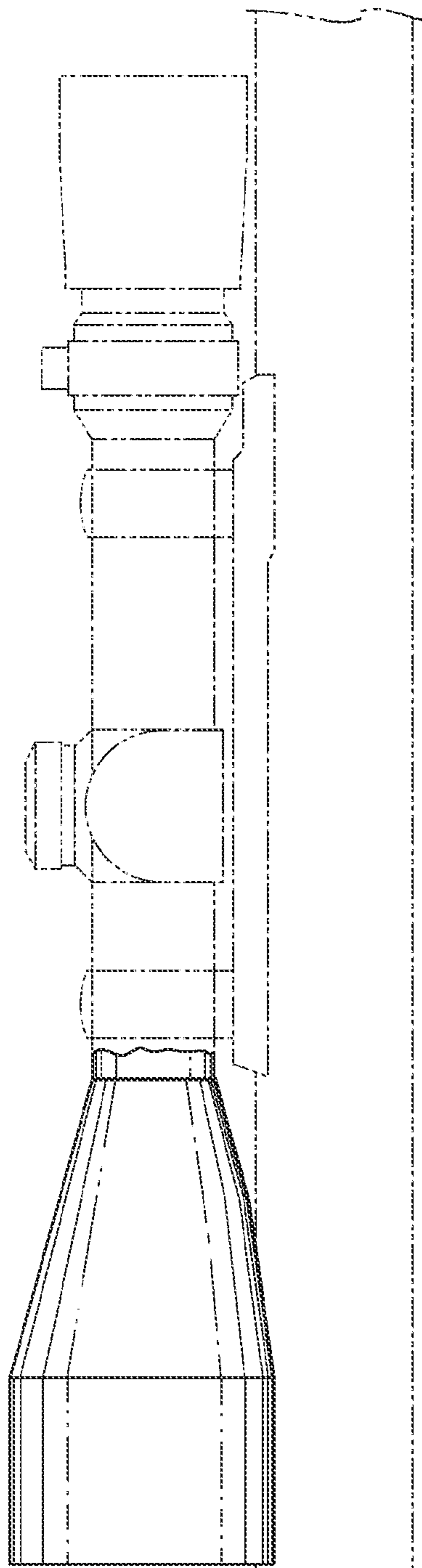


Fig. 2

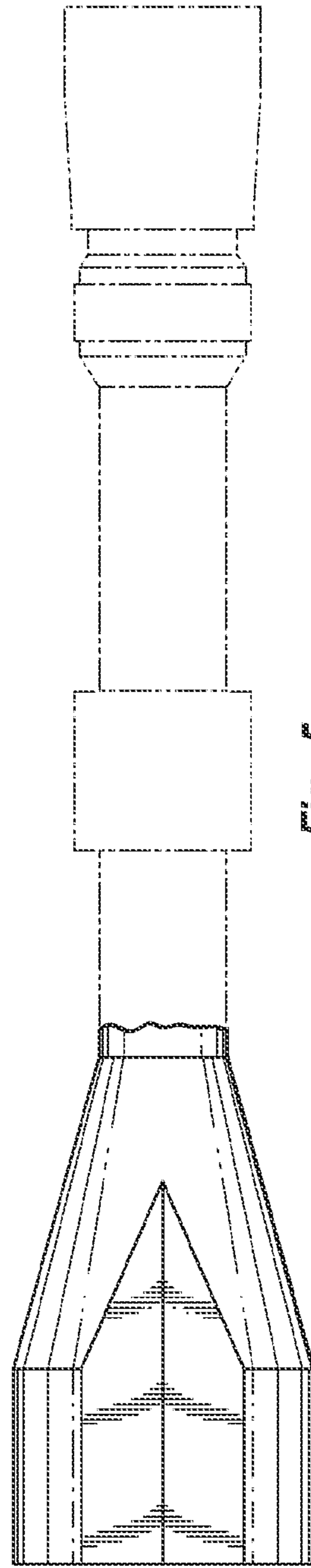


Fig. 5

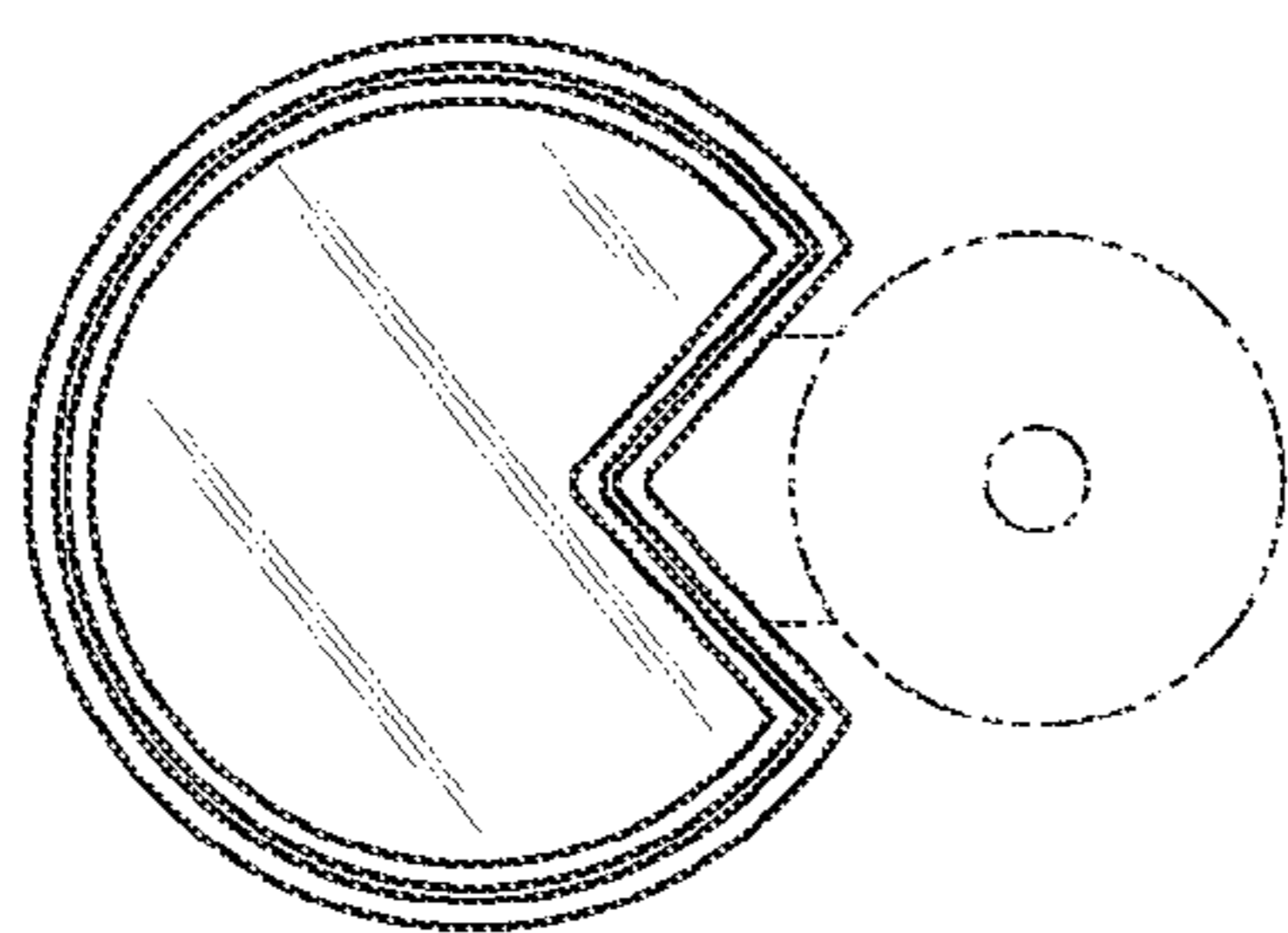


Fig. 3