



US00D613321S

(12) **United States Design Patent**  
**Bautista et al.**

(10) **Patent No.:** **US D613,321 S**  
(45) **Date of Patent:** **\*\* Apr. 6, 2010**

(54) **LINER WITH RECESSED PANELS**  
(75) Inventors: **Kevin Bautista**, San Jose, CA (US); **Nyi Oo Myo**, San Jose, CA (US)  
(73) Assignee: **Applied Materials, Inc.**, Santa Clara, CA (US)

(\*\*) Term: **14 Years**

(21) Appl. No.: **29/335,821**

(22) Filed: **Apr. 22, 2009**

(51) **LOC (9) Cl.** ..... **15-99**  
(52) **U.S. Cl.** ..... **D15/199**  
(58) **Field of Classification Search** ..... D13/179,  
D13/180, 182; D14/230, 432; D15/138,  
D15/140, 144.1, 199; 118/715; 156/153,  
156/345.1, 345.33, 345.37, 345.51; 414/217;  
427/287.2, 422, 579  
See application file for complete search history.

(56) **References Cited**

**U.S. PATENT DOCUMENTS**

D435,256 S \* 12/2000 Hibino ..... D14/435  
D488,711 S \* 4/2004 Heisey ..... D8/374  
2002/0044855 A1 \* 4/2002 Davis ..... 414/217  
2002/0108714 A1 \* 8/2002 Doering et al. .... 156/345.51

2003/0000647 A1 \* 1/2003 Yudovsky et al. .... 156/345.51  
2005/0150757 A1 \* 7/2005 Black et al. .... 204/192.1  
2005/0221358 A1 \* 10/2005 Carrillo et al. .... 435/6  
2007/0169704 A1 \* 7/2007 Hao et al. .... 118/733  
2008/0099145 A1 \* 5/2008 Keller ..... 156/345.34  
2008/0118663 A1 \* 5/2008 Choi et al. .... 427/579

\* cited by examiner

*Primary Examiner*—Sandra Snapp  
*Assistant Examiner*—Patricia Palasik

(74) *Attorney, Agent, or Firm*—Patterson & Sheridan, LLP

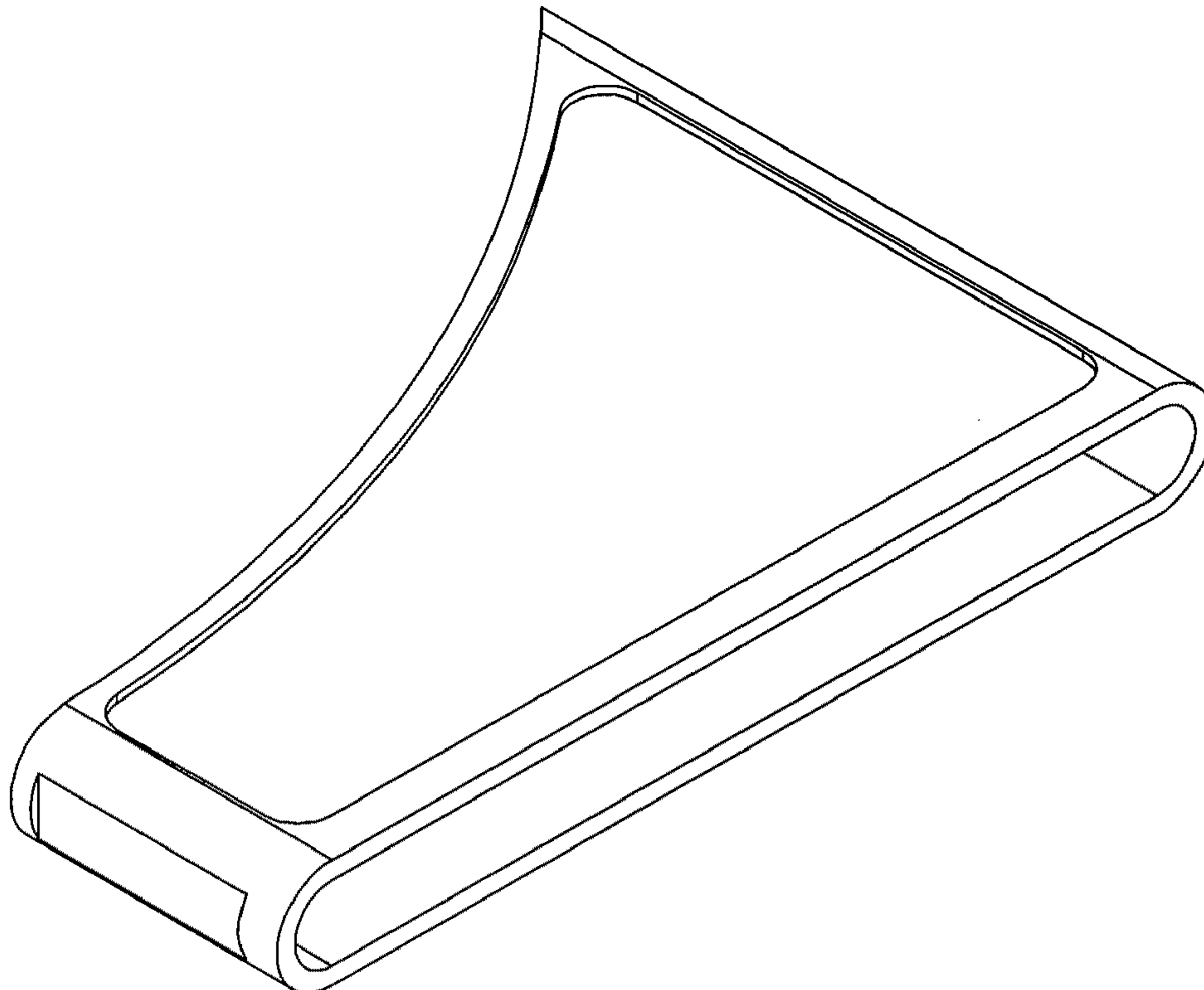
(57) **CLAIM**

The ornamental design for a liner with recessed panels, as shown and described.

**DESCRIPTION**

FIG. 1 presents an isometric view of a liner with recessed panels of the present invention;  
FIG. 2 is a top plan view of the liner of FIG. 1;  
FIG. 3 is a front elevation of the liner of FIG. 1 (the rear elevation being a mirror image thereof);  
FIG. 4 is a bottom plan view of the liner of FIG. 1;  
FIG. 5 is a first side elevation of the liner of FIG. 1; and,  
FIG. 6 is a second side elevation of the liner of FIG. 1.

**1 Claim, 3 Drawing Sheets**



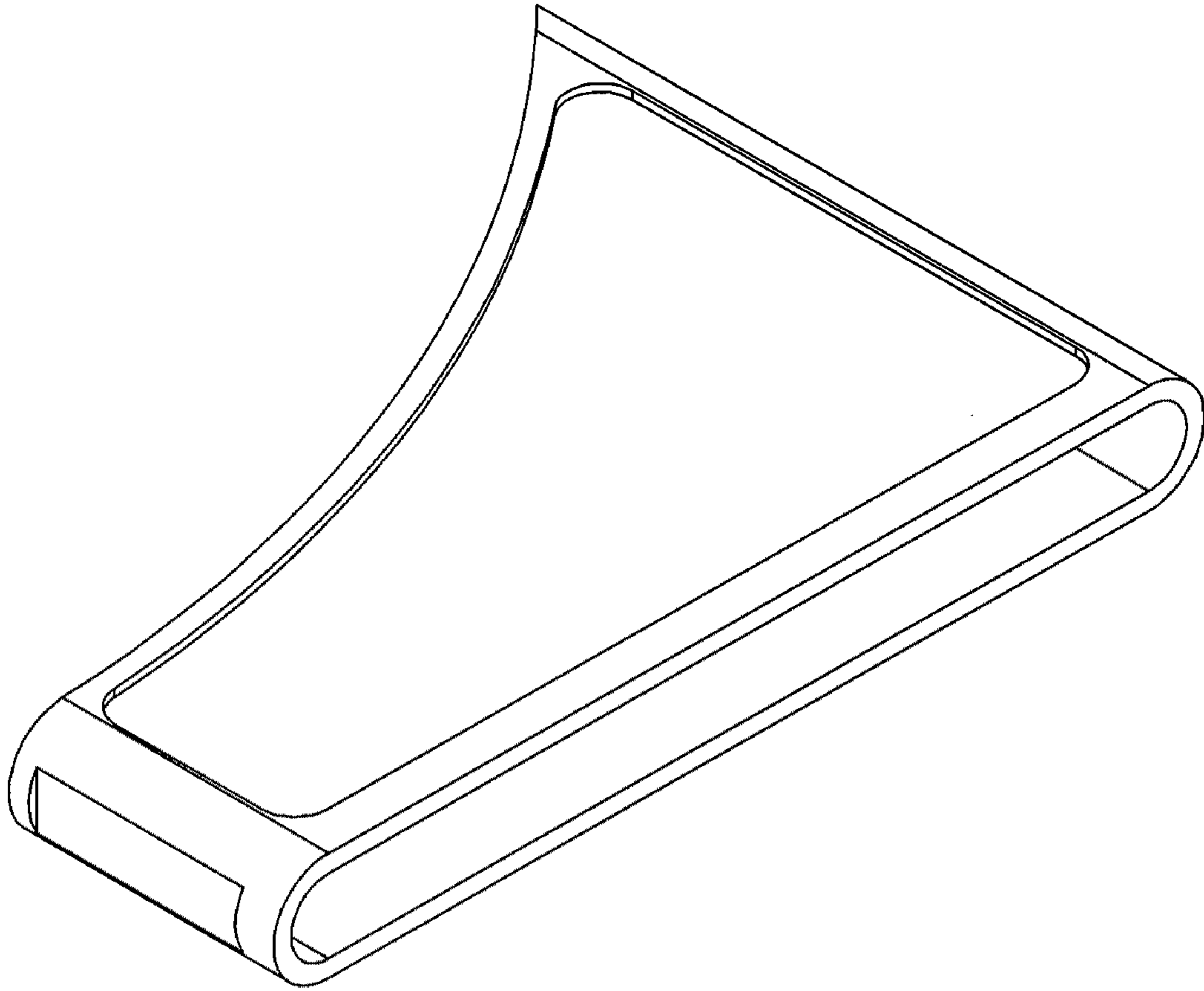


FIG. 1

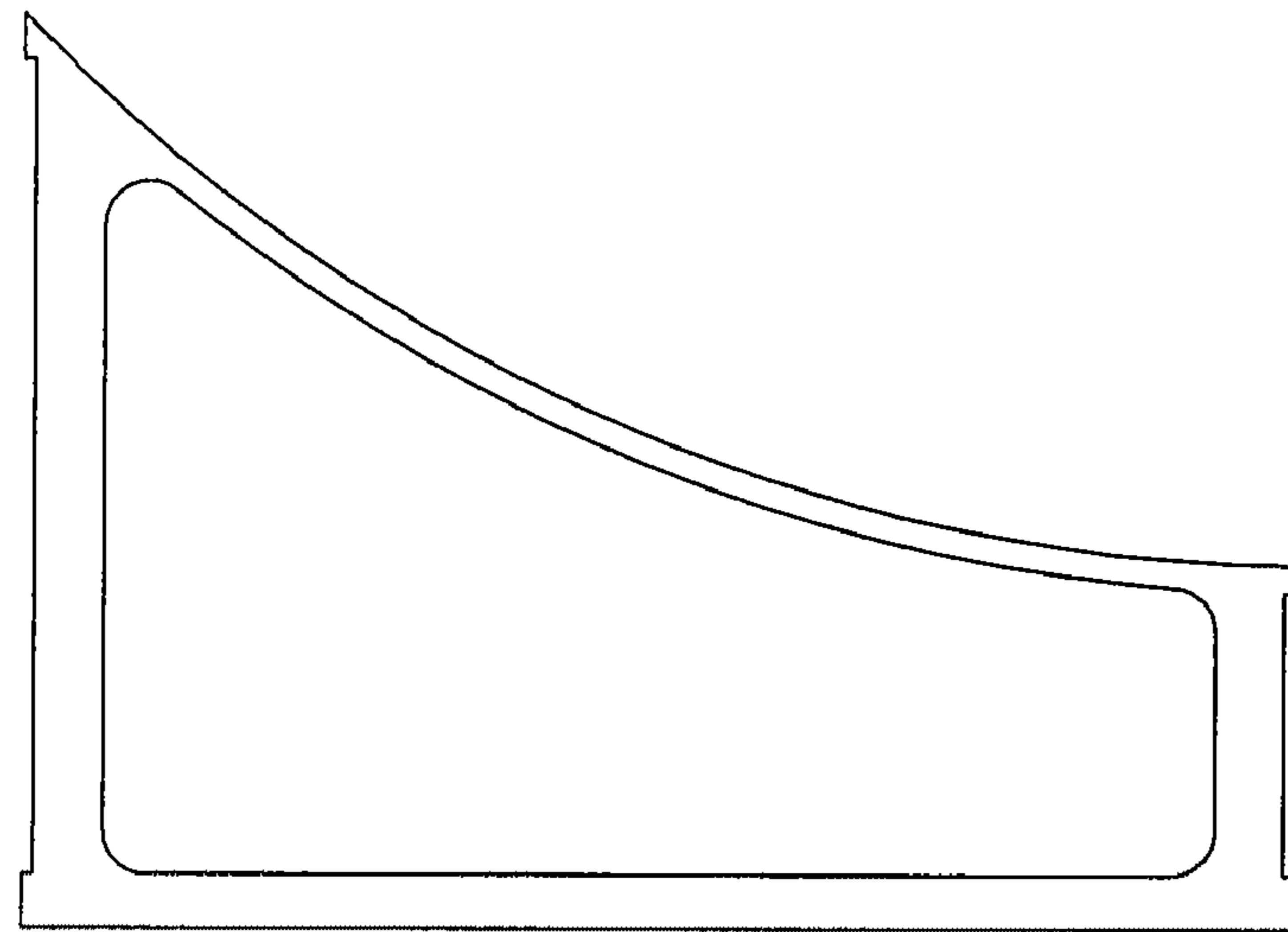


FIG. 4

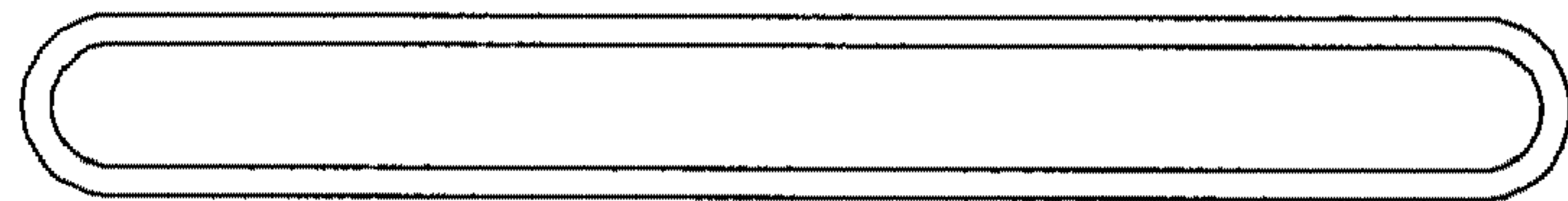


FIG. 3

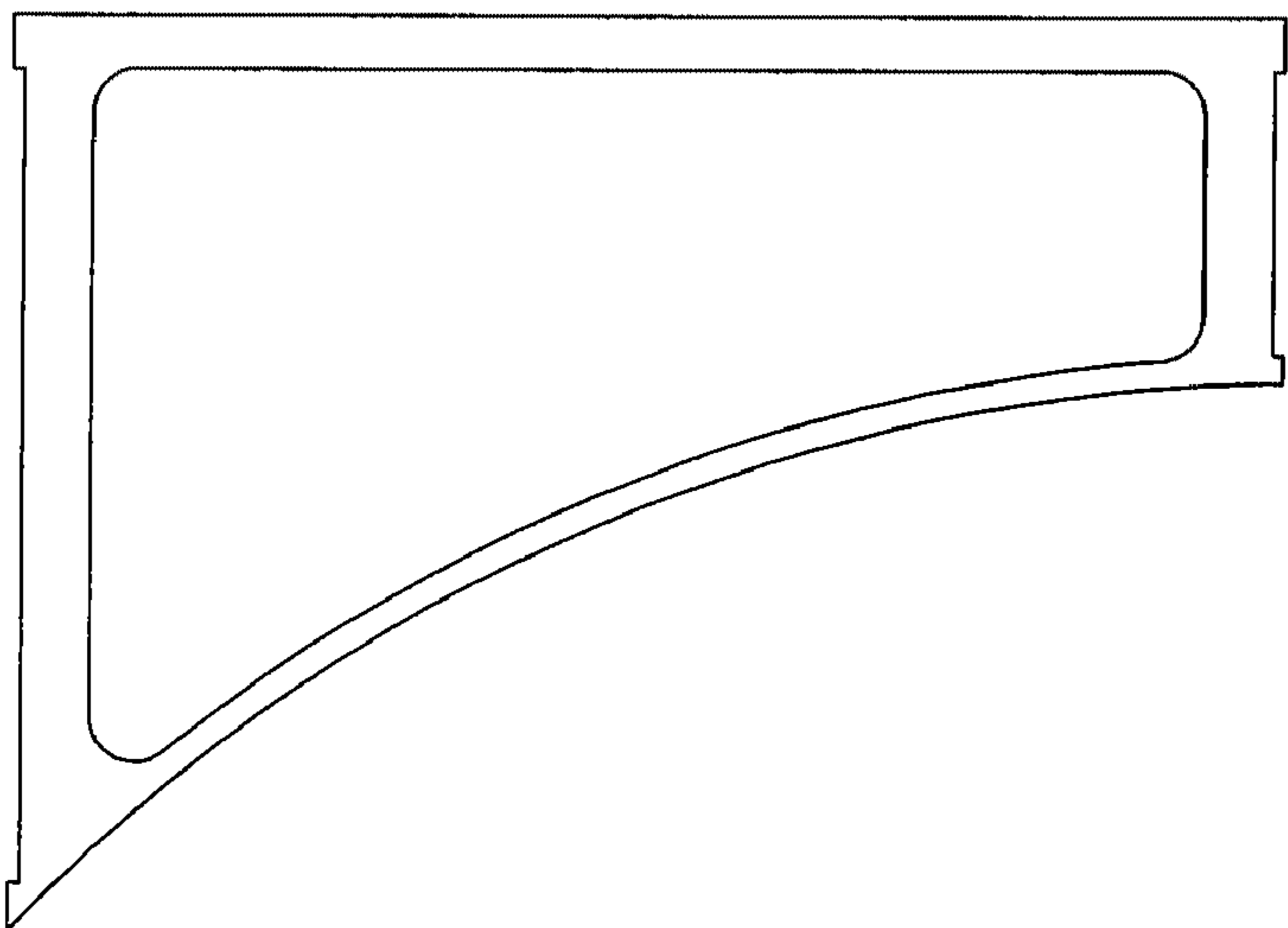


FIG. 2

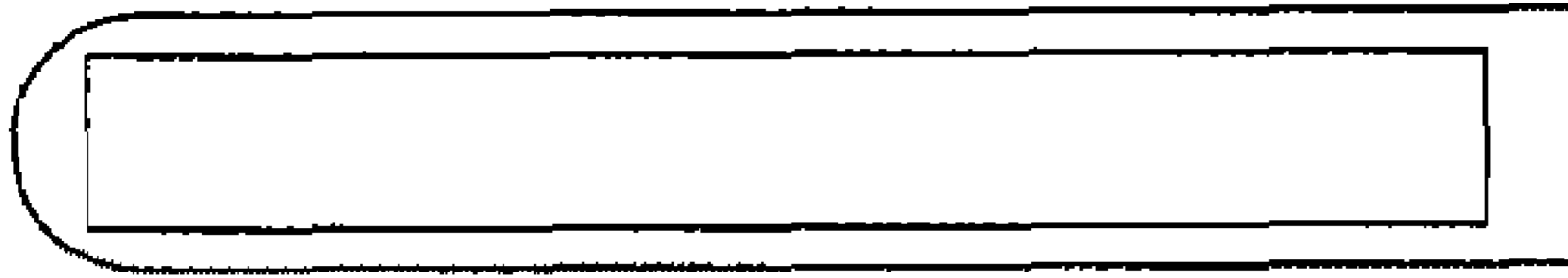


FIG. 5

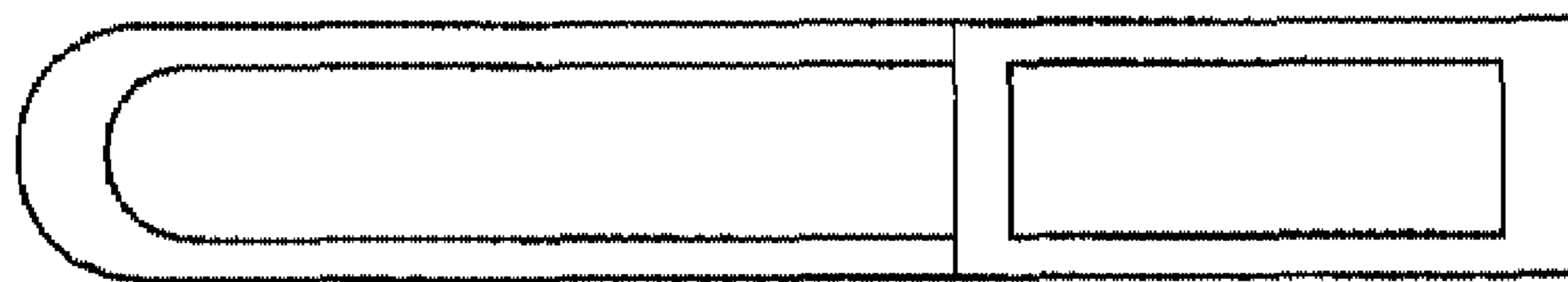


FIG. 6