



US00D613320S

(12) **United States Design Patent**
Marini

(10) **Patent No.:** **US D613,320 S**

(45) **Date of Patent:** **** Apr. 6, 2010**

(54) **FITTING FOR TIRE INFLATION AND TIRE REPAIR**

(75) Inventor: **Maurizio Marini**, Pesaro (IT)

(73) Assignee: **Tek Global S.R.L.**, Pesaro (IT)

(**) Term: **14 Years**

(21) Appl. No.: **29/308,088**

(22) Filed: **May 27, 2008**

(30) **Foreign Application Priority Data**

Nov. 28, 2007 (EM) 000833702

(51) **LOC (9) Cl.** **15-99**

(52) **U.S. Cl.** **D15/199**

(58) **Field of Classification Search** D8/105,
D8/499; D15/199; 141/38, 67, 100; 152/415
See application file for complete search history.

(56) **References Cited**

U.S. PATENT DOCUMENTS

4,284,451	A *	8/1981	Conley	156/97
6,283,172	B1 *	9/2001	Thurner	141/38
6,345,650	B1 *	2/2002	Paasch et al.	141/5
6,789,581	B2 *	9/2004	Cowan et al.	141/38
D509,838	S *	9/2005	Wong	D15/199
D544,895	S *	6/2007	Izumoto et al.	D15/199

D557,299	S *	12/2007	Marini et al.	D15/199
D574,866	S *	8/2008	Yoshida	D15/199
2004/0159365	A1 *	8/2004	Cowan et al.	141/38
2004/0221439	A1 *	11/2004	Villarreal	29/407.08
2008/0029181	A1 *	2/2008	Marini	141/38

* cited by examiner

Primary Examiner—Sandra Snapp

Assistant Examiner—Patricia Palasik

(74) *Attorney, Agent, or Firm*—Ladas & Parry LLP

(57) **CLAIM**

The ornamental design for a fitting for tire inflation and tire repair, as shown and described.

DESCRIPTION

FIG. 1 is a front view of my new design for a fitting for tire inflation and tire repair;

FIG. 2 is a rear view thereof;

FIG. 3 is a right side view thereof;

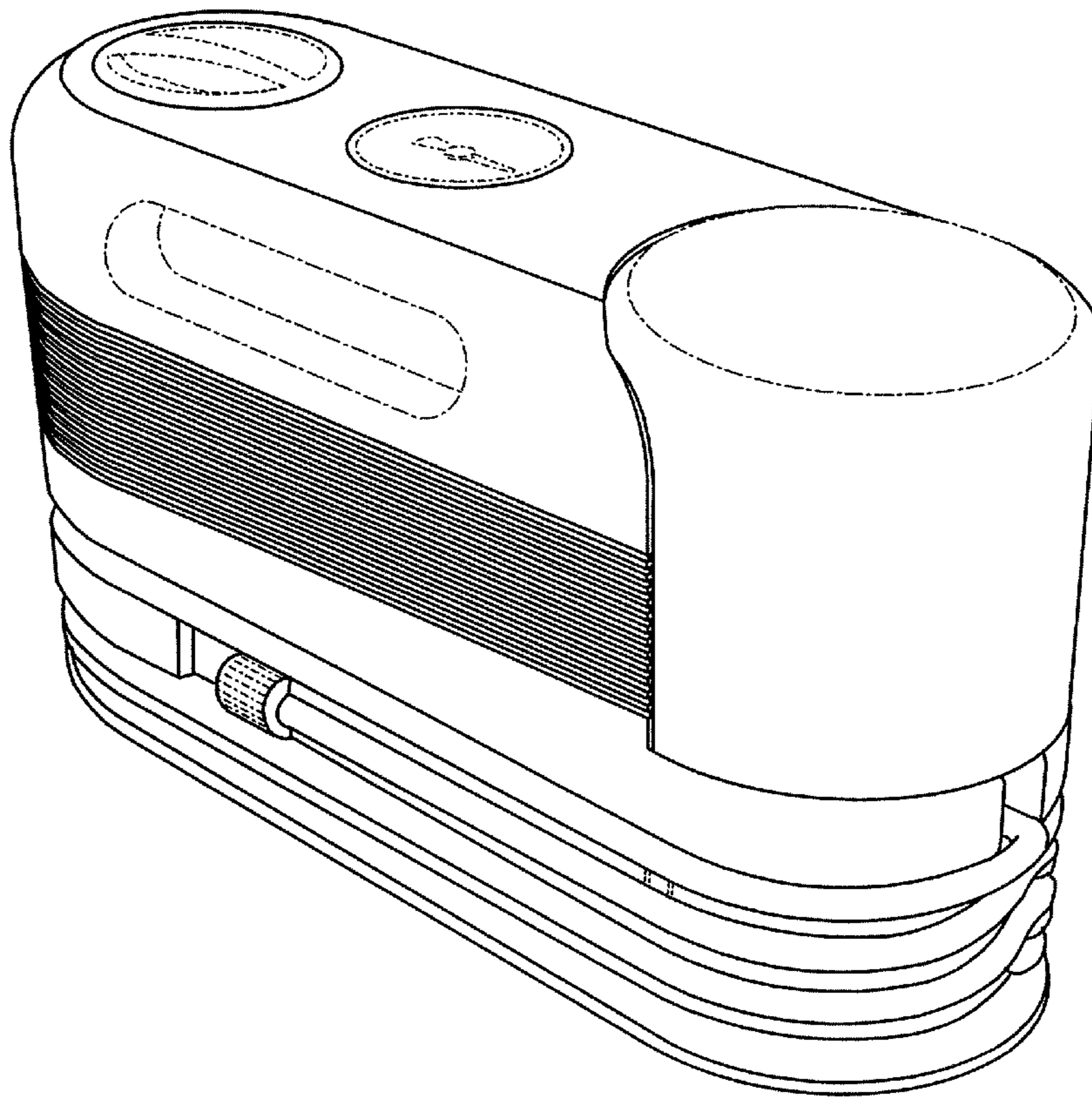
FIG. 4 is a left side view thereof;

FIG. 5 is a top view thereof; and,

FIG. 6 is a perspective view thereof.

Features shown in broken lines show environmental structure and form no part of the claimed design.

1 Claim, 5 Drawing Sheets



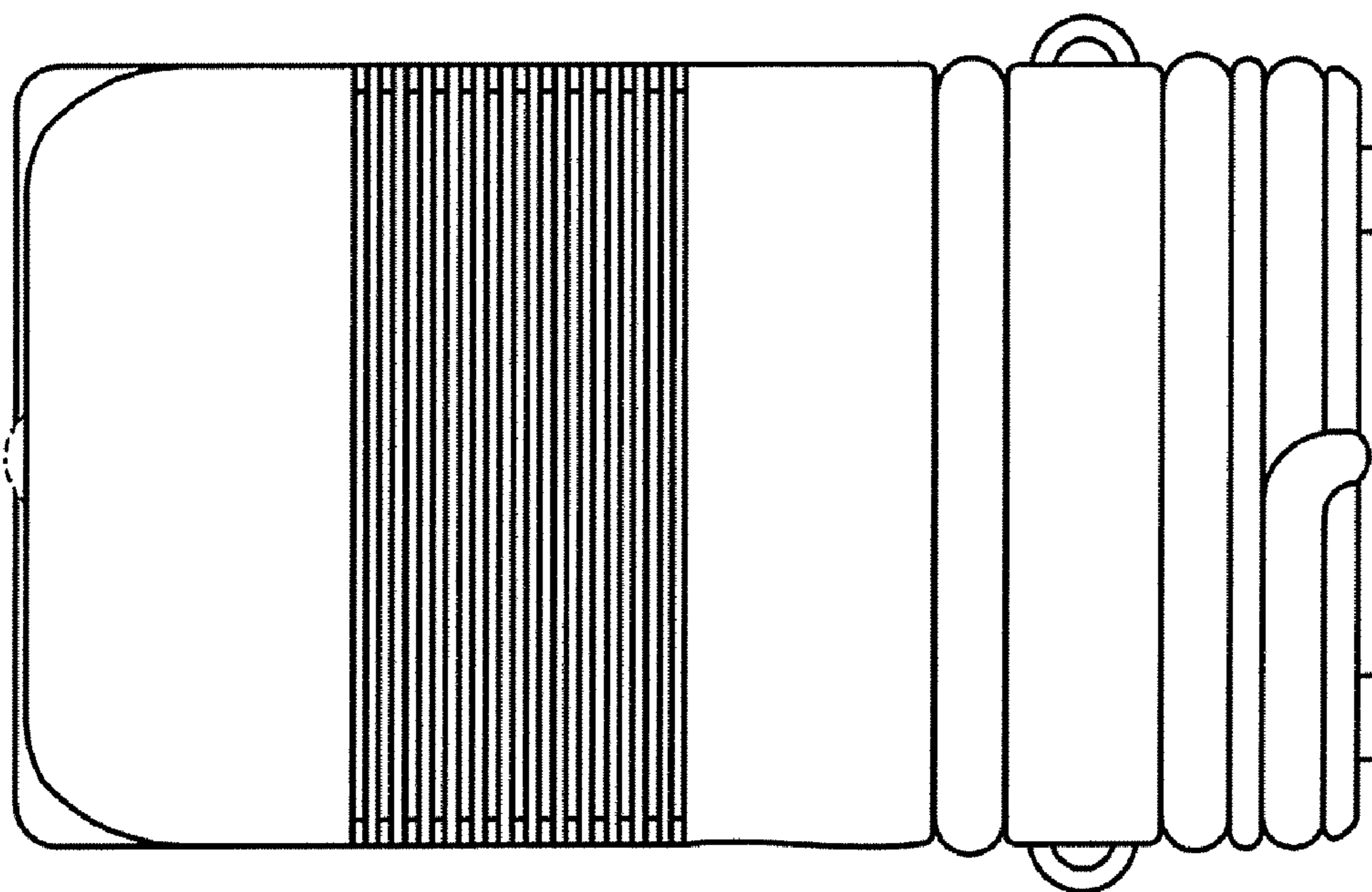


FIG. 2

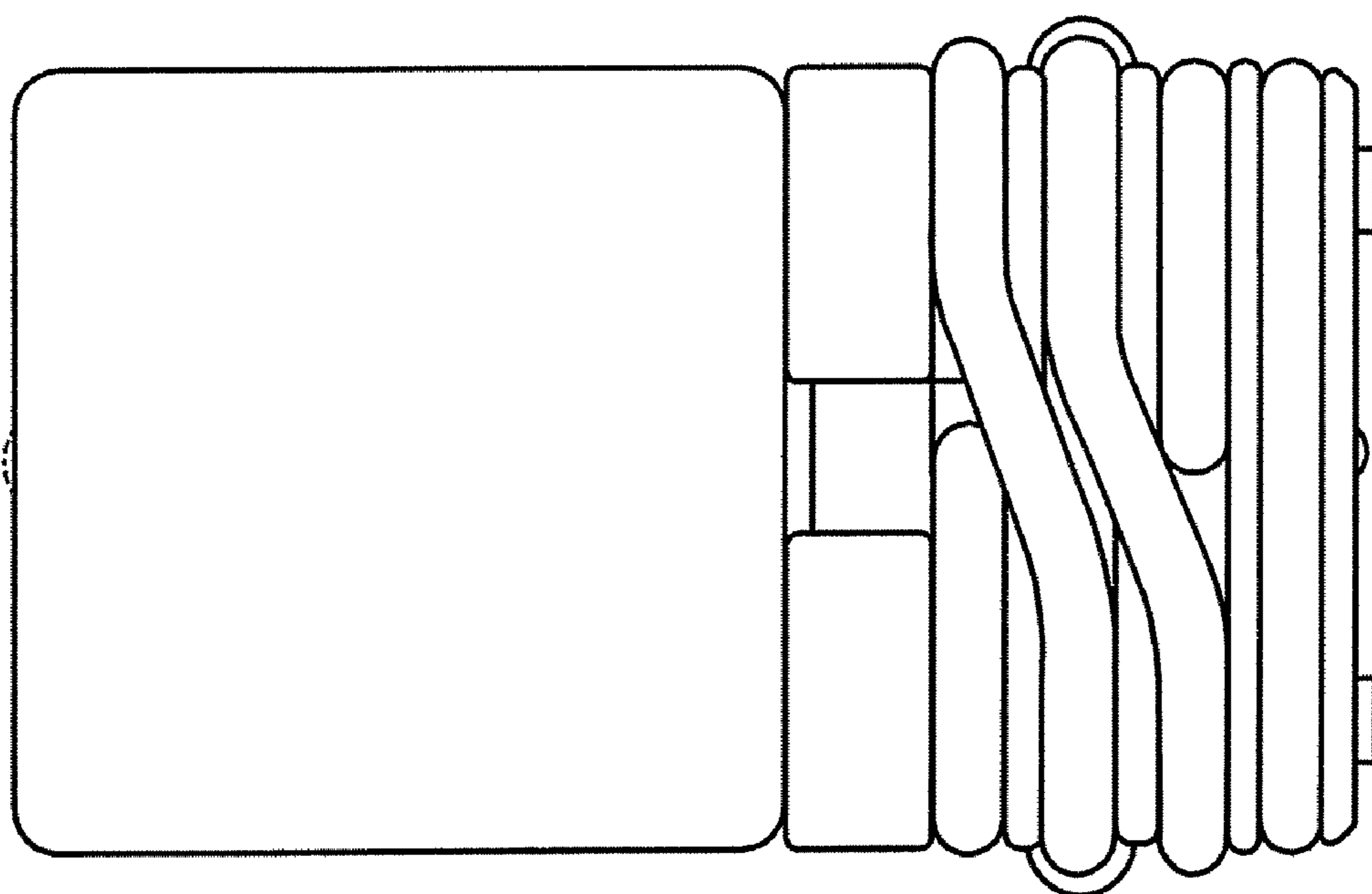


FIG. 1

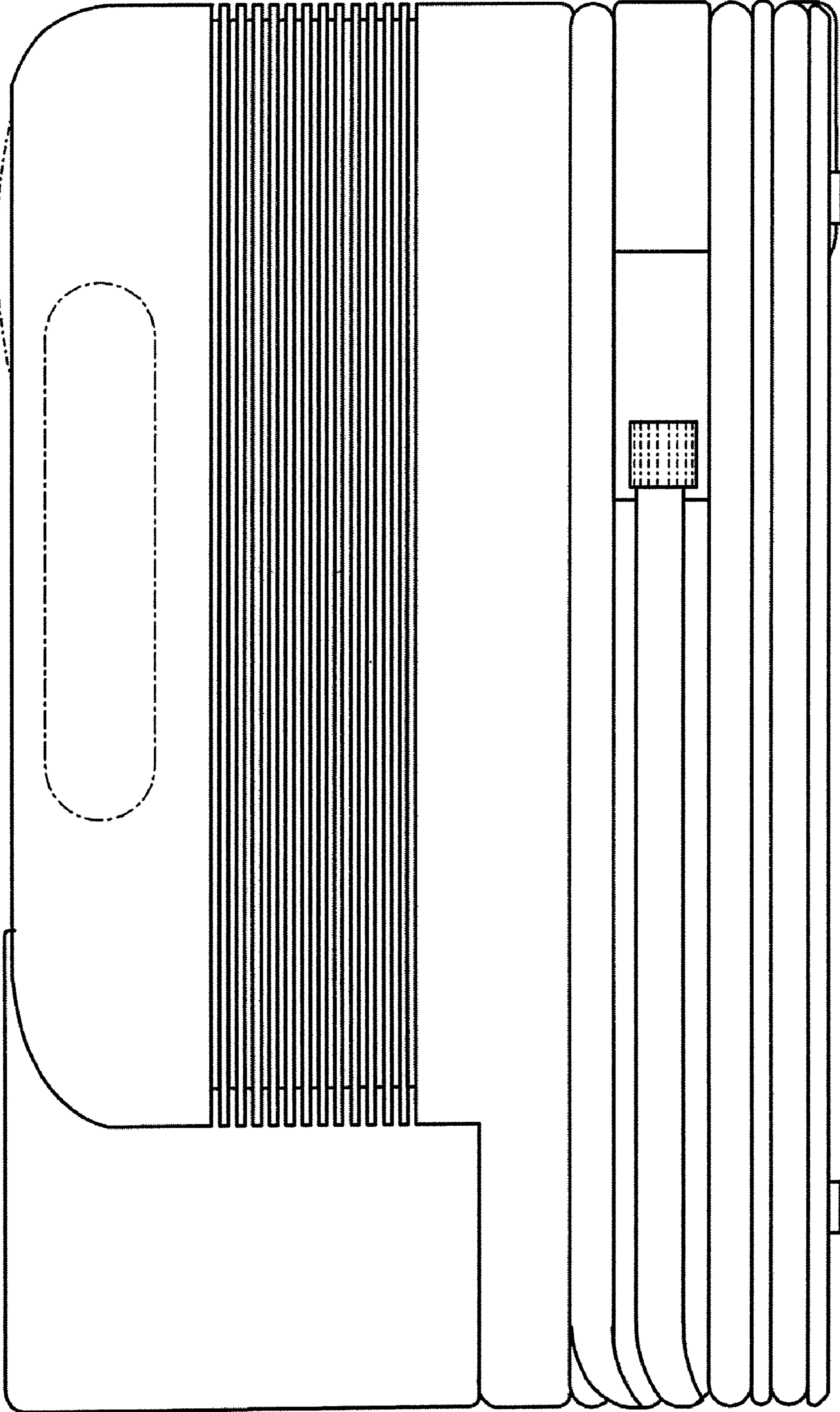


FIG. 3

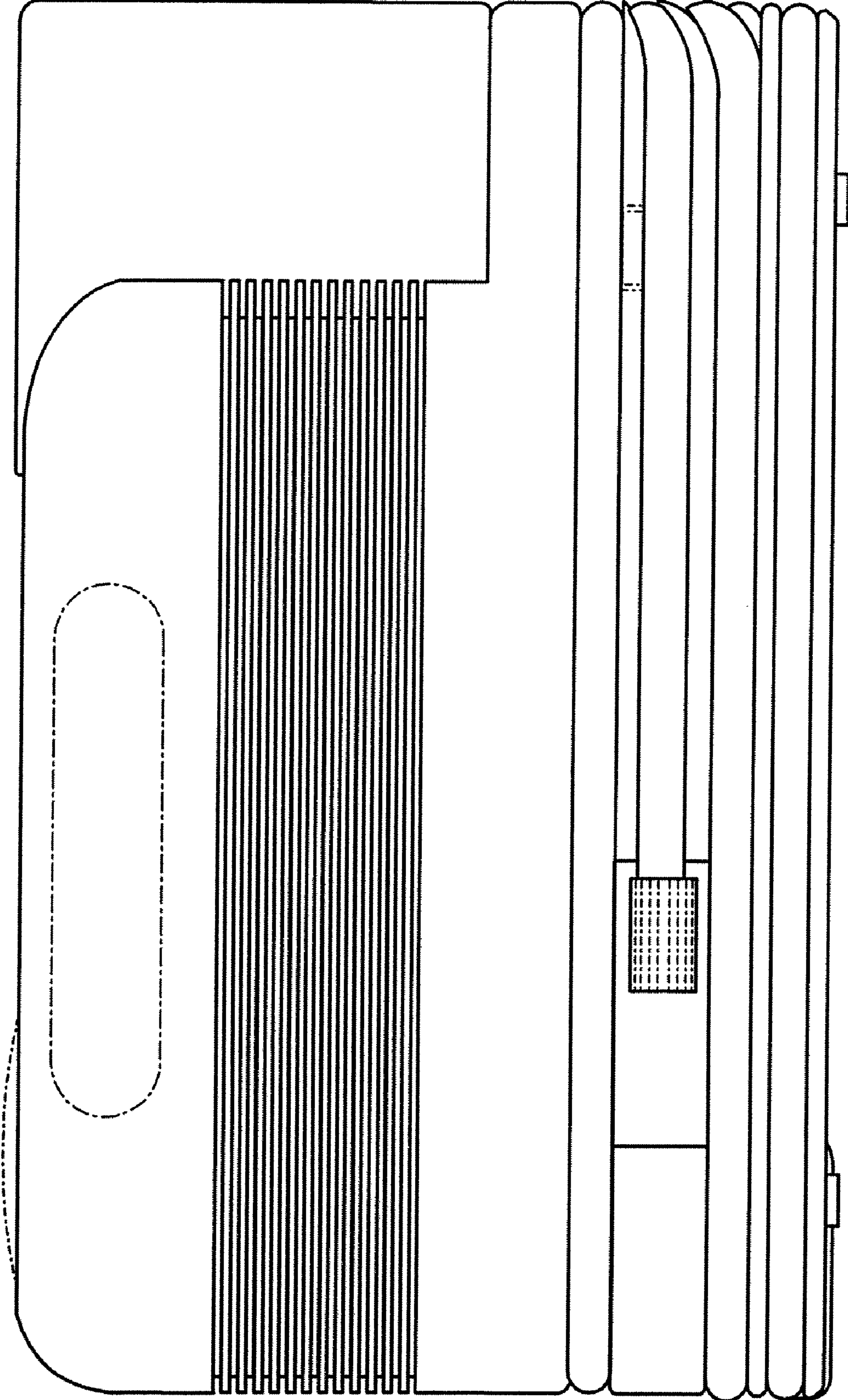


FIG. 4

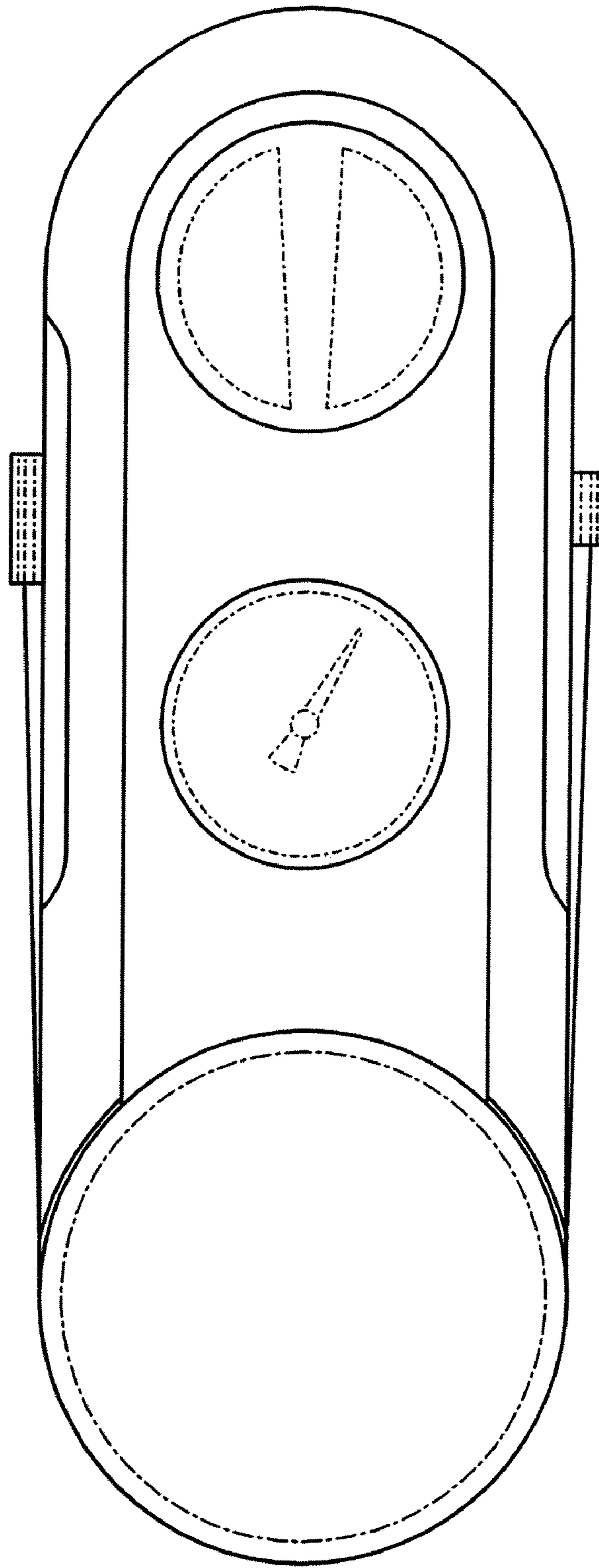


FIG. 5

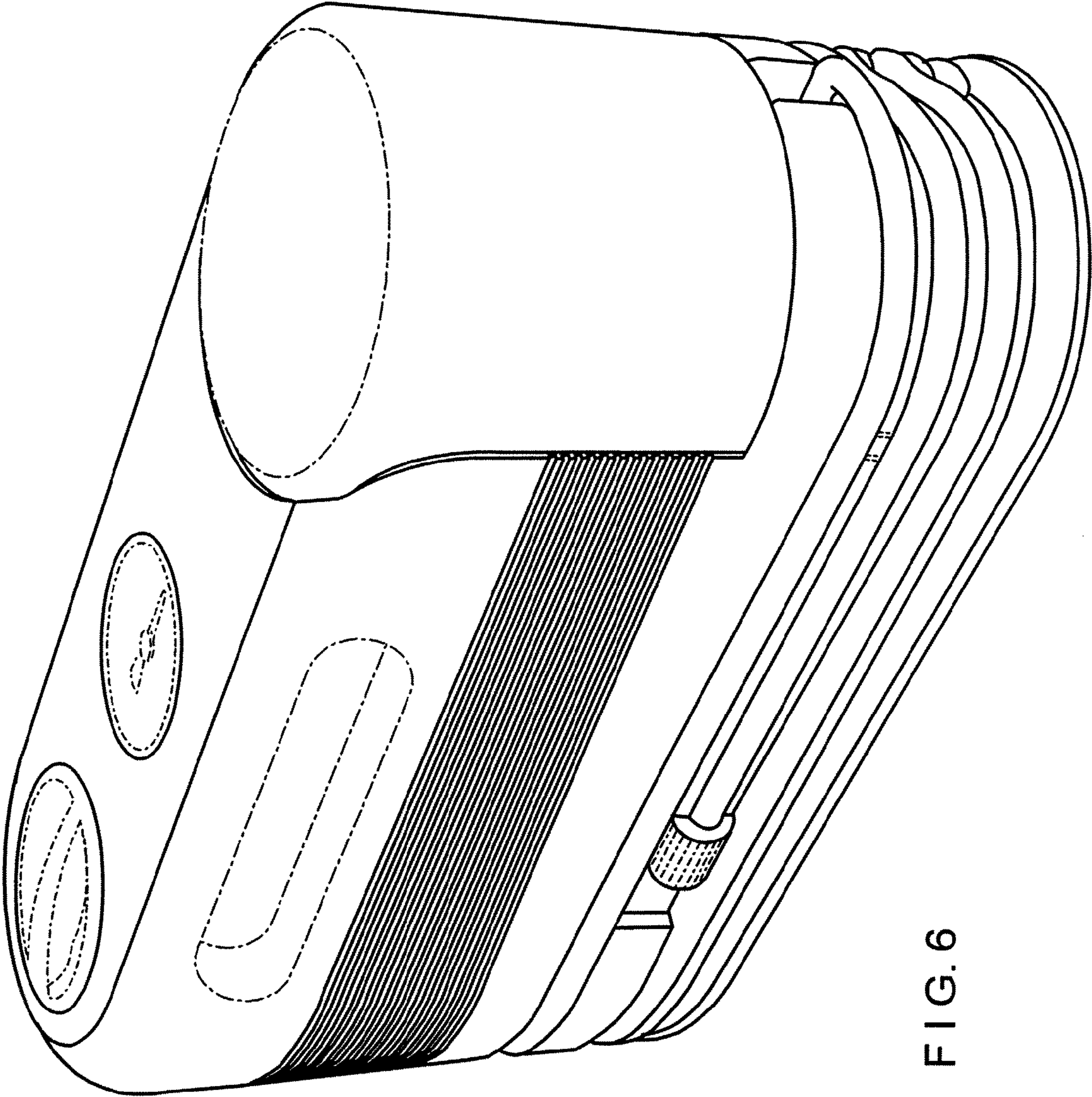


FIG. 6