



US00D613319S

(12) **United States Design Patent**
Okamoto et al.

(10) **Patent No.:** **US D613,319 S**

(45) **Date of Patent:** **** Apr. 6, 2010**

(54) **AUTOMATIC TABLET PACKING MACHINE**

2007/0151204 A1* 7/2007 Kim 53/55

(75) Inventors: **Yasutoshi Okamoto**, Osaka (JP);
Akihiro Mochizuki, Osaka (JP)

* cited by examiner

Primary Examiner—Sandra Snapp

Assistant Examiner—Patricia Palasik

(73) Assignee: **Sanyo Electric Co., Ltd.**, Osaka (JP)

(74) *Attorney, Agent, or Firm*—Rabin & Berdo, PC

(**) Term: **14 Years**

(57) **CLAIM**

(21) Appl. No.: **29/347,164**

The ornamental design for an automatic tablet packing machine, as shown and described.

(22) Filed: **Oct. 9, 2009**

(30) **Foreign Application Priority Data**

DESCRIPTION

Jun. 17, 2009 (JP) 2009-013733

FIG. 1 is a perspective view of an automatic tablet packing machine showing our new design;

(51) **LOC (9) Cl.** **15-99**

FIG. 2 is a front elevation view thereof;

(52) **U.S. Cl.** **D15/145**

FIG. 3 is a rear elevation view thereof;

(58) **Field of Classification Search** D6/436,
D6/441, 445, 446, 448, 455, 561; D10/4;
D15/145, 199; D20/4; 53/131.4, 167, 202,
53/279, 284.5, 284.7, 370.7, 370.9, 381.1,
53/426, 550, 563, 565; 493/184

FIG. 4 is a top plan view thereof;

FIG. 5 is a bottom plan view thereof; and

See application file for complete search history.

FIG. 6 is a right side view thereof, the left side view thereof being a mirror image;

(56) **References Cited**

FIG. 7 is a referential perspective view thereof showing a state with doors open, the inside parts appearing from the opening are shown in broken lines forming no part of the claimed design;

U.S. PATENT DOCUMENTS

- D301,890 S * 6/1989 Silbersky D15/145
- 5,097,652 A * 3/1992 Inamura et al. 53/493
- D349,505 S * 8/1994 Hill et al. D15/145
- D478,436 S * 8/2003 Milligan D6/470
- D494,988 S * 8/2004 Tanaka et al. D15/199
- D512,864 S * 12/2005 Moon et al. D6/561
- D517,438 S * 3/2006 Sato et al. D10/97
- D543,222 S * 5/2007 Pester et al. D15/145
- D563,692 S * 3/2008 DeCarlo et al. D6/448
- D567,273 S * 4/2008 Okamoto et al. D15/145
- 7,428,805 B2 * 9/2008 Kim 53/131.4
- 2005/0122010 A1 * 6/2005 Kobayashi et al. 312/209
- 2006/0021299 A1 * 2/2006 Jones 53/461

FIG. 8 is another referential perspective view thereof showing a state with a cover for tablet slots open, the tablet slots appearing from the opening are shown in broken lines forming no part of the claimed design; and,

FIG. 9 is further another referential perspective view thereof showing a state with a top cover open, the tablet cases appearing from the opening are shown in broken lines forming no part of the claimed design.

The broken line showing is for illustrative purposes only and forms no part of the claimed design.

1 Claim, 7 Drawing Sheets

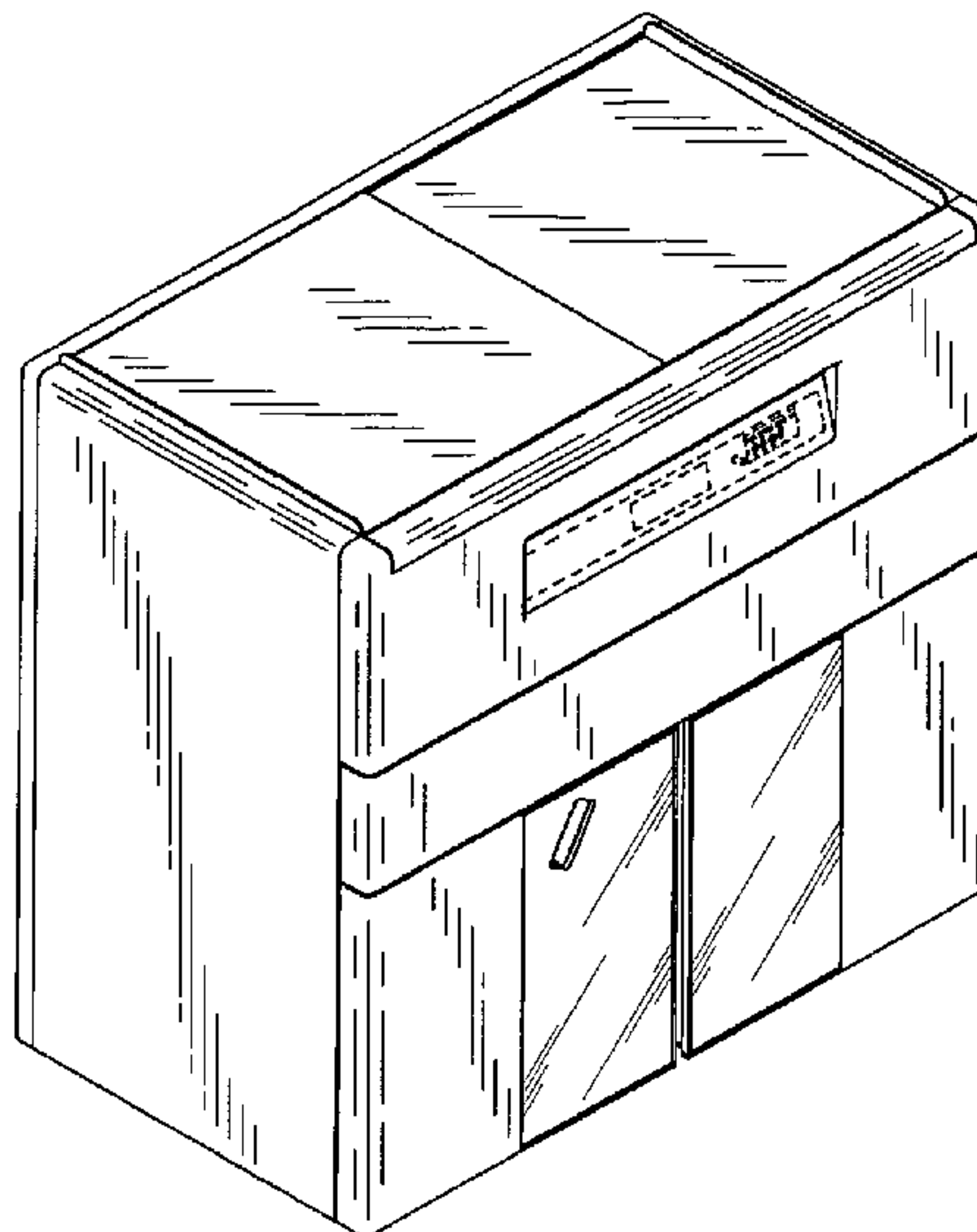


FIG. 1

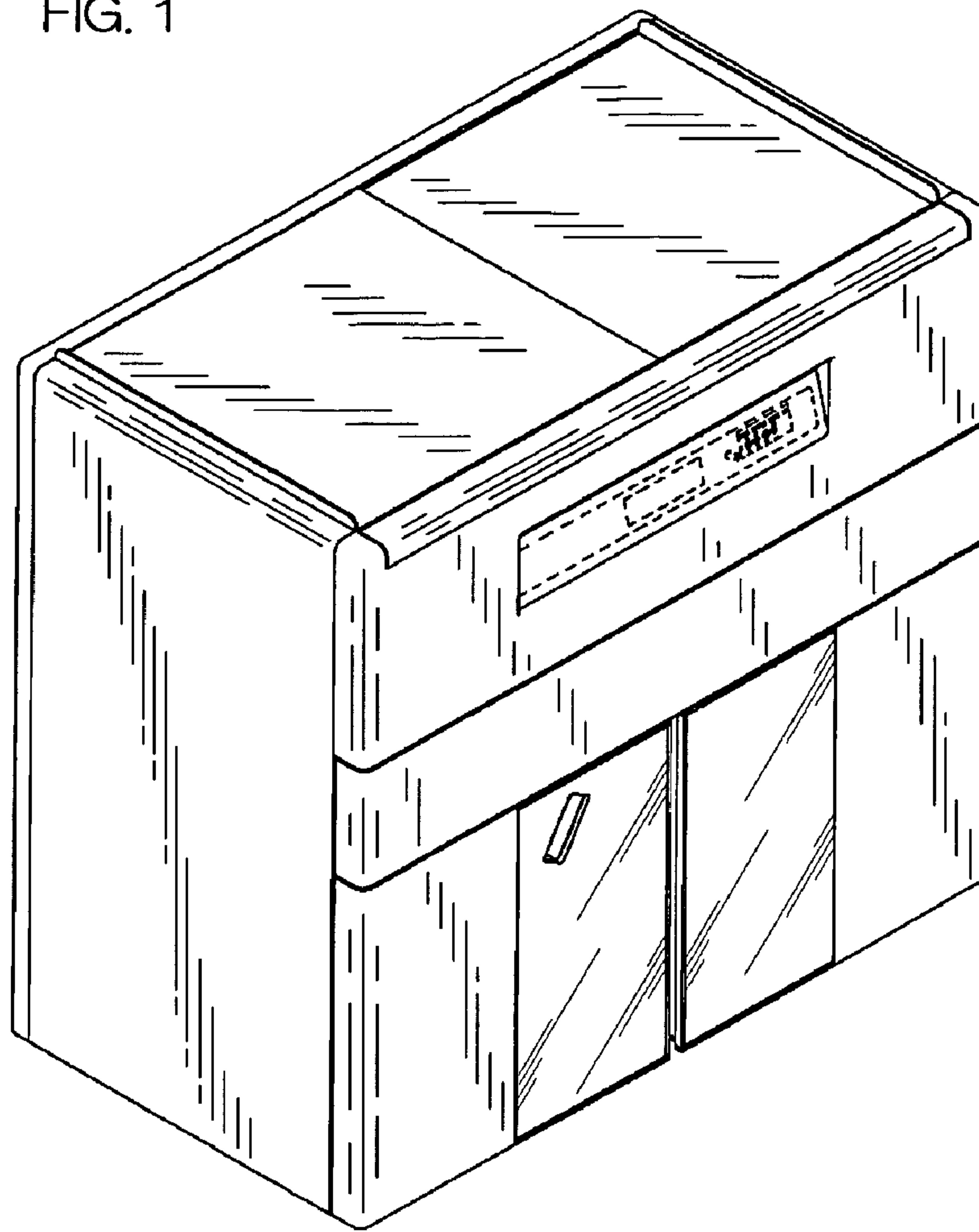


FIG. 2

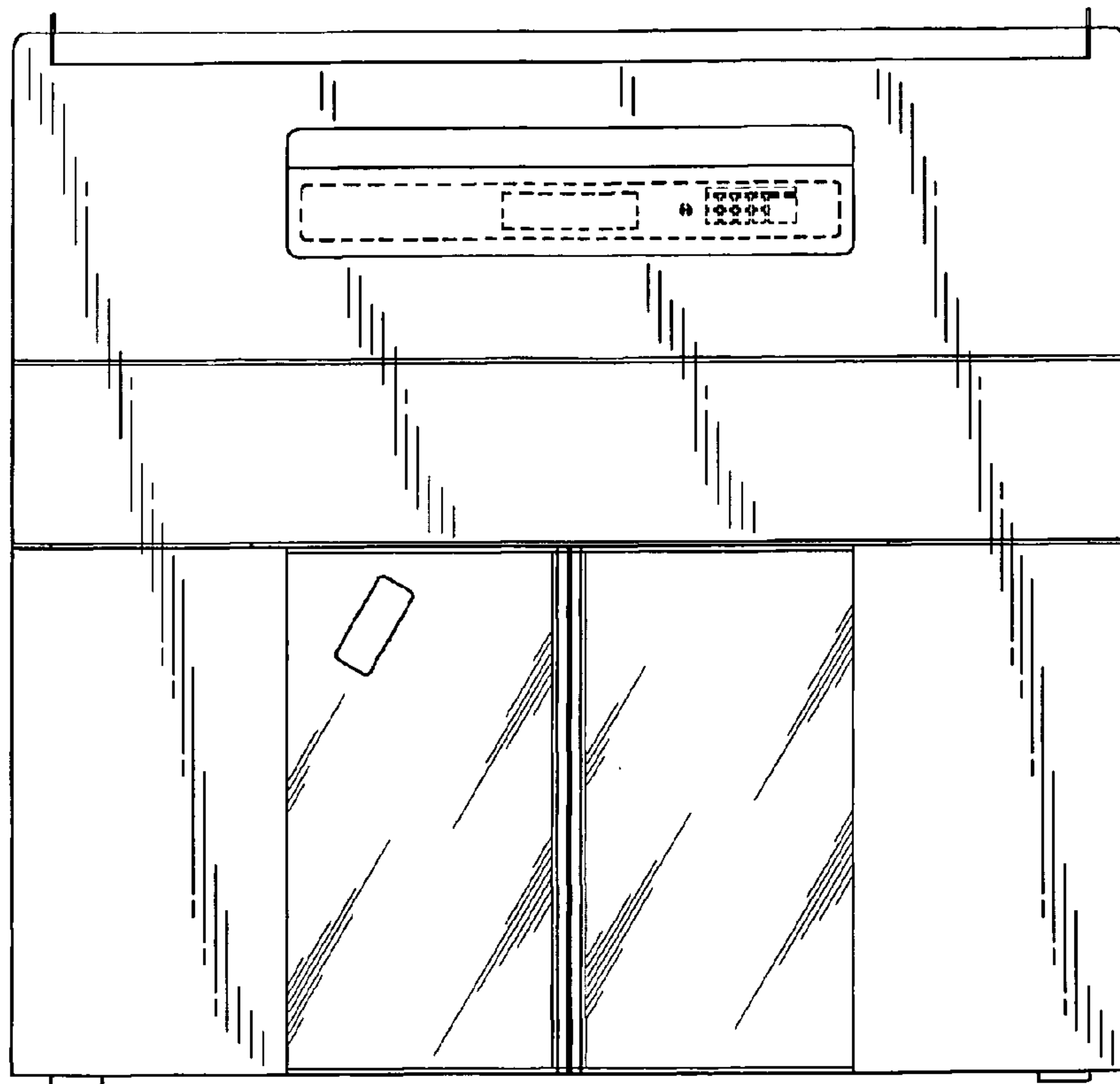


FIG. 3

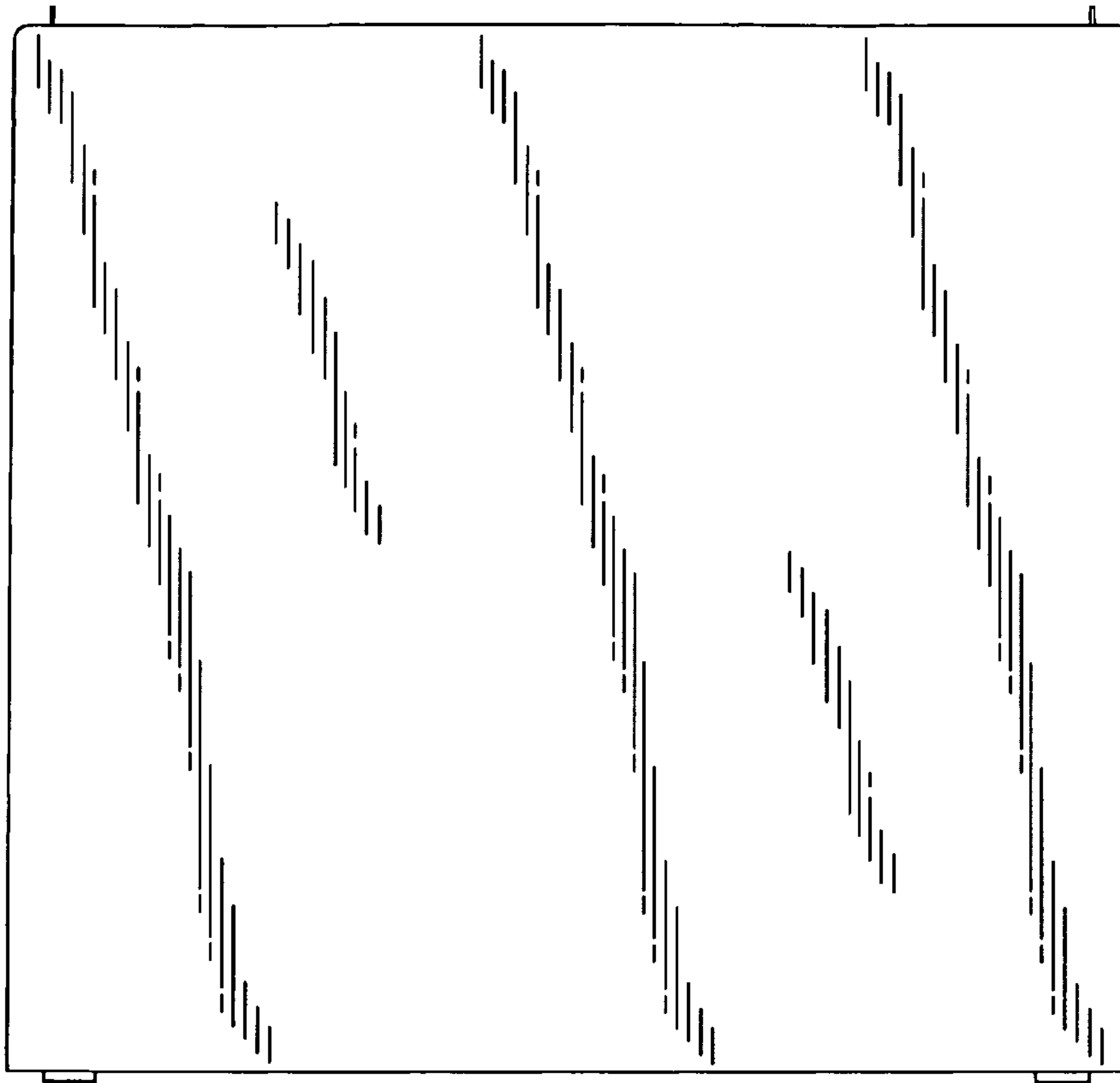


FIG. 4

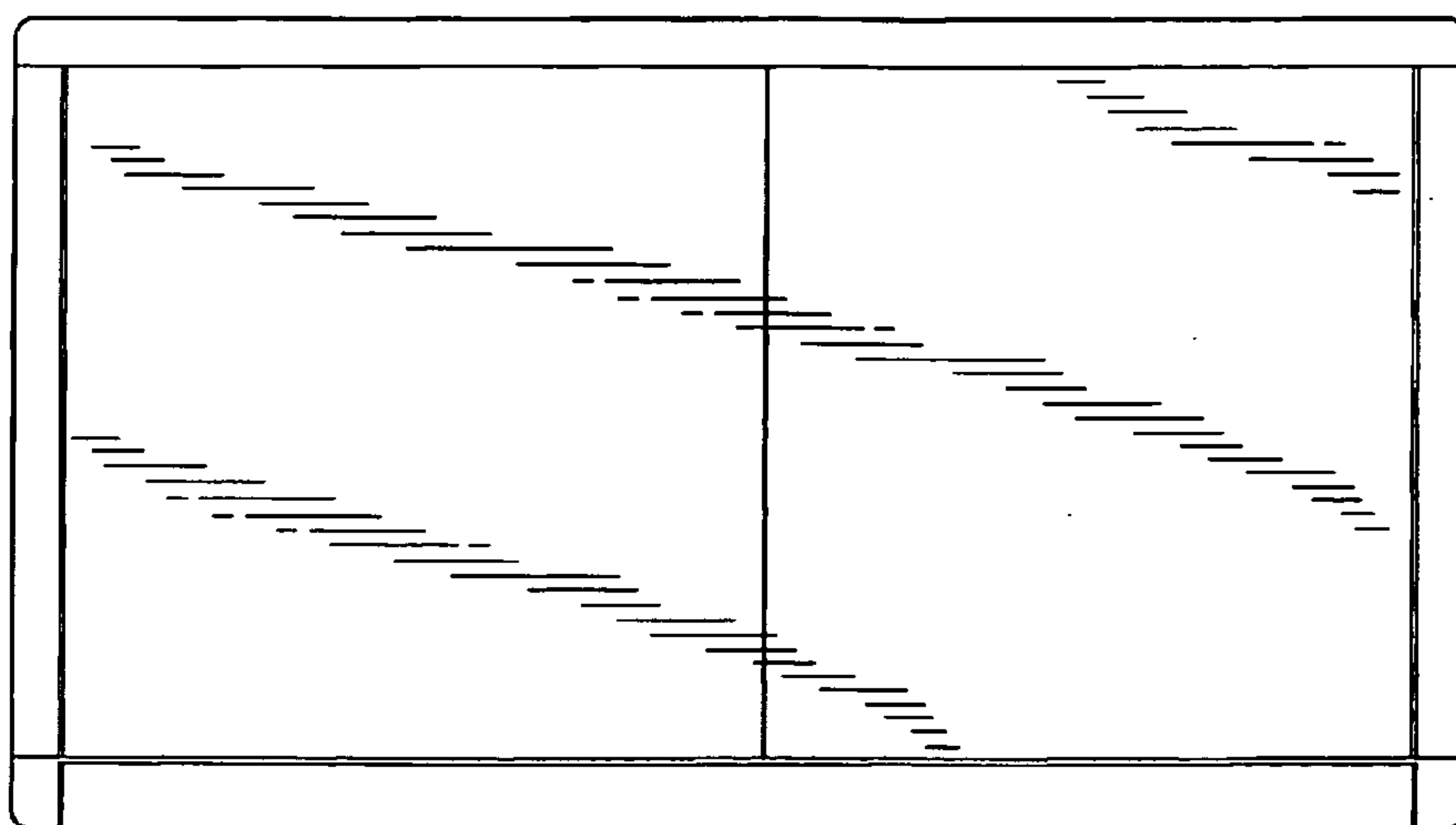


FIG. 5

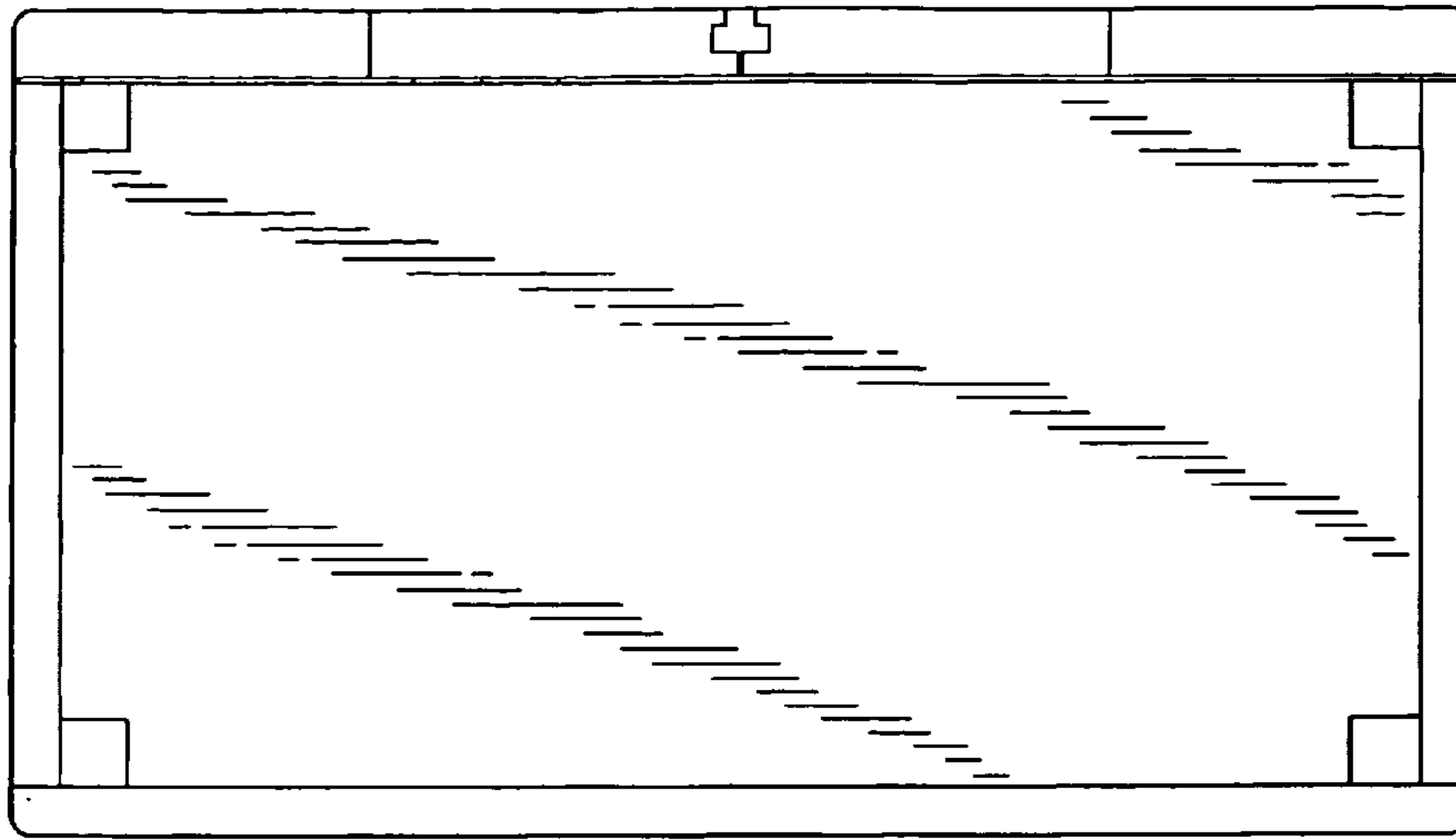


FIG. 6

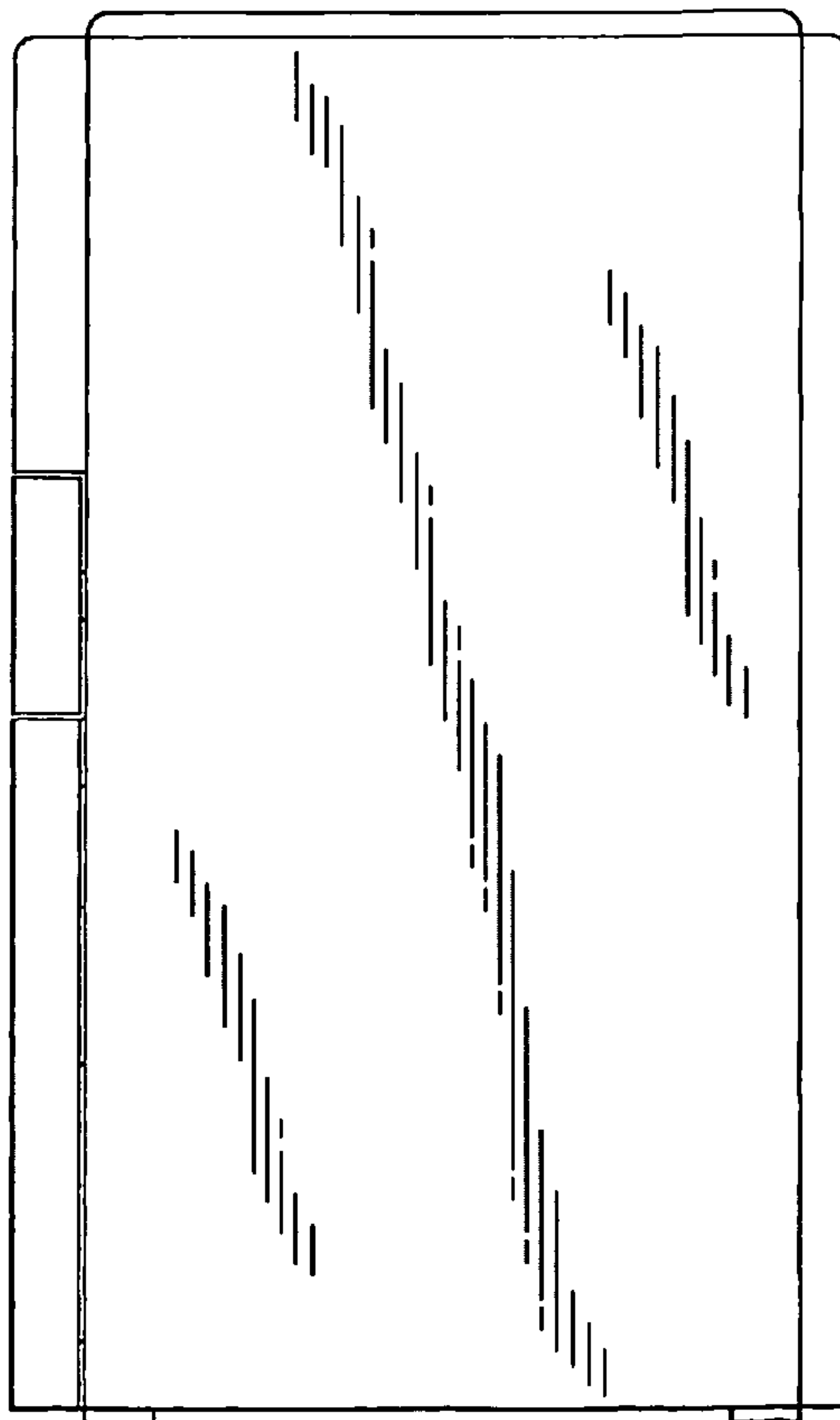


FIG. 7

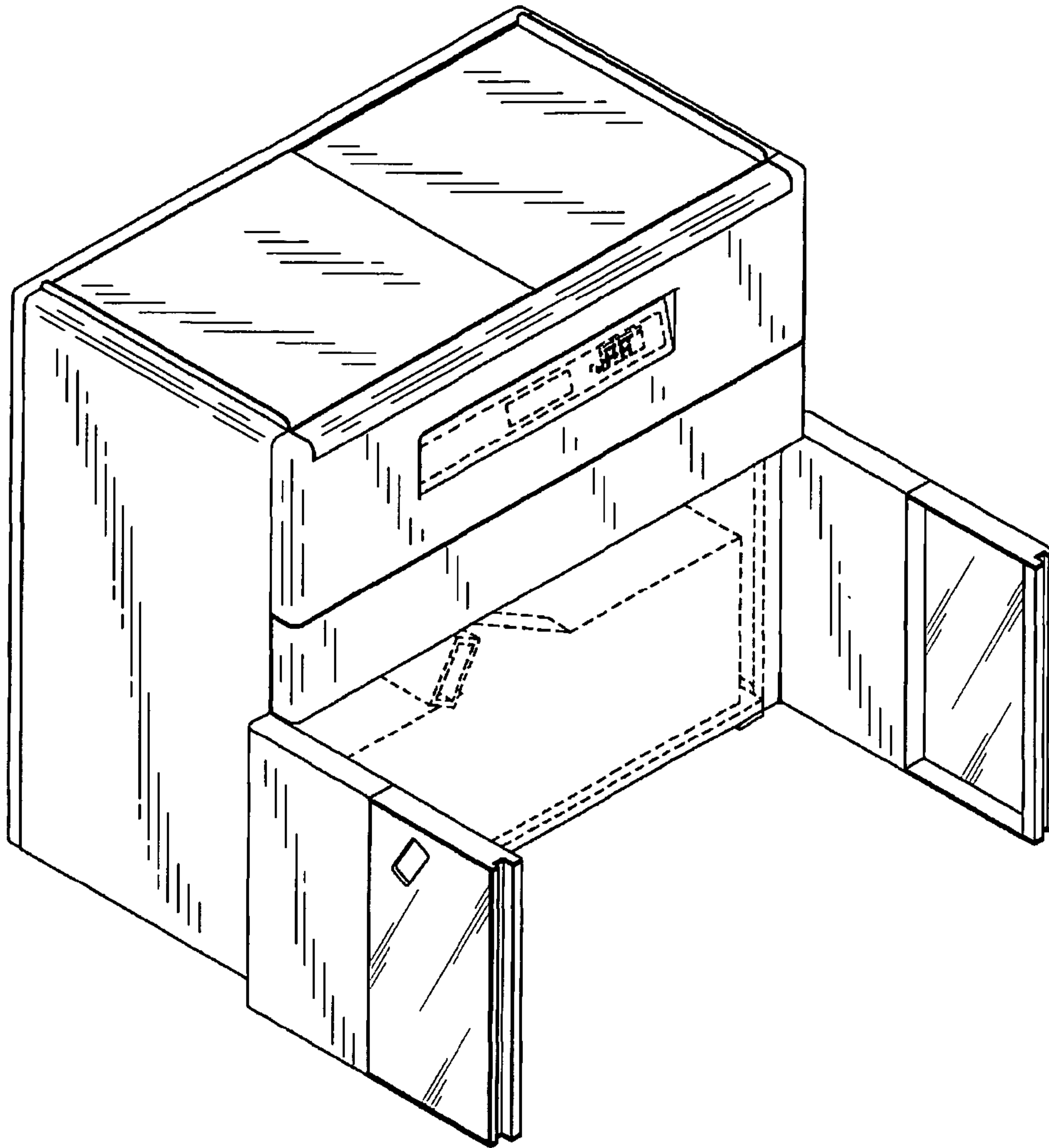


FIG. 8

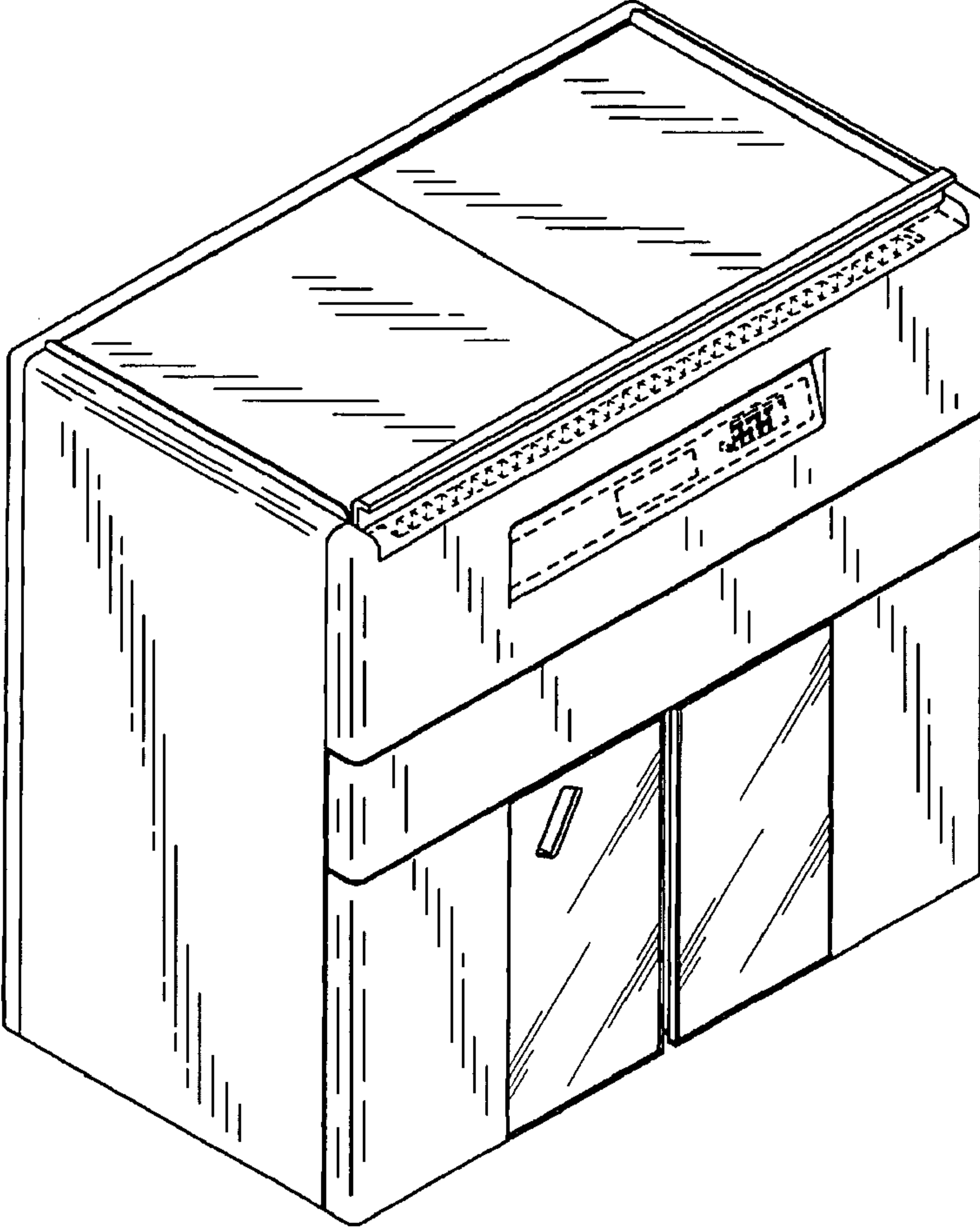


FIG. 9

