



US00D613314S

(12) **United States Design Patent**
Staud

(10) **Patent No.:** **US D613,314 S**
(45) **Date of Patent:** **** Apr. 6, 2010**

(54) **REFRIGERATOR WITH GLASS DOOR**

(75) Inventor: **Ralph Staud**, München (DE)

(73) Assignee: **BSH Bosch und Siemens Hausgeraete GmbH**, Munich (DE)

(**) Term: **14 Years**

(21) Appl. No.: **29/336,515**

(22) Filed: **May 5, 2009**

(30) **Foreign Application Priority Data**

Nov. 6, 2008 (CN) 2008 3 0289795

(51) **LOC (9) Cl.** **15-07**

(52) **U.S. Cl.** **D15/81**

(58) **Field of Classification Search** D15/79,
D15/81, 85, 88; 62/3.6, 3.63, 3.64, 246-257;
312/236, 400-408

See application file for complete search history.

(56) **References Cited**

U.S. PATENT DOCUMENTS

D515,597 S * 2/2006 Park et al. D15/85
D518,833 S * 4/2006 Kwak et al. D15/85
D524,832 S * 7/2006 Kim et al. D15/85

D527,395 S * 8/2006 Kim D15/85
D551,260 S * 9/2007 Kim et al. D15/85
D555,177 S * 11/2007 Yeo et al. D15/85
D555,178 S * 11/2007 Yeo et al. D15/85
D558,800 S * 1/2008 Byun et al. D15/85
D568,343 S * 5/2008 Suh et al. D15/85
D569,397 S * 5/2008 Kim et al. D15/85
D579,031 S * 10/2008 Lee et al. D15/85
D579,468 S * 10/2008 Yang et al. D15/85

* cited by examiner

Primary Examiner—Stella M Reid

Assistant Examiner—Shanda C Hill

(74) *Attorney, Agent, or Firm*—James E. Howard; Andre Pallapies

(57) **CLAIM**

The ornamental design for a refrigerator with glass door, as shown and described.

DESCRIPTION

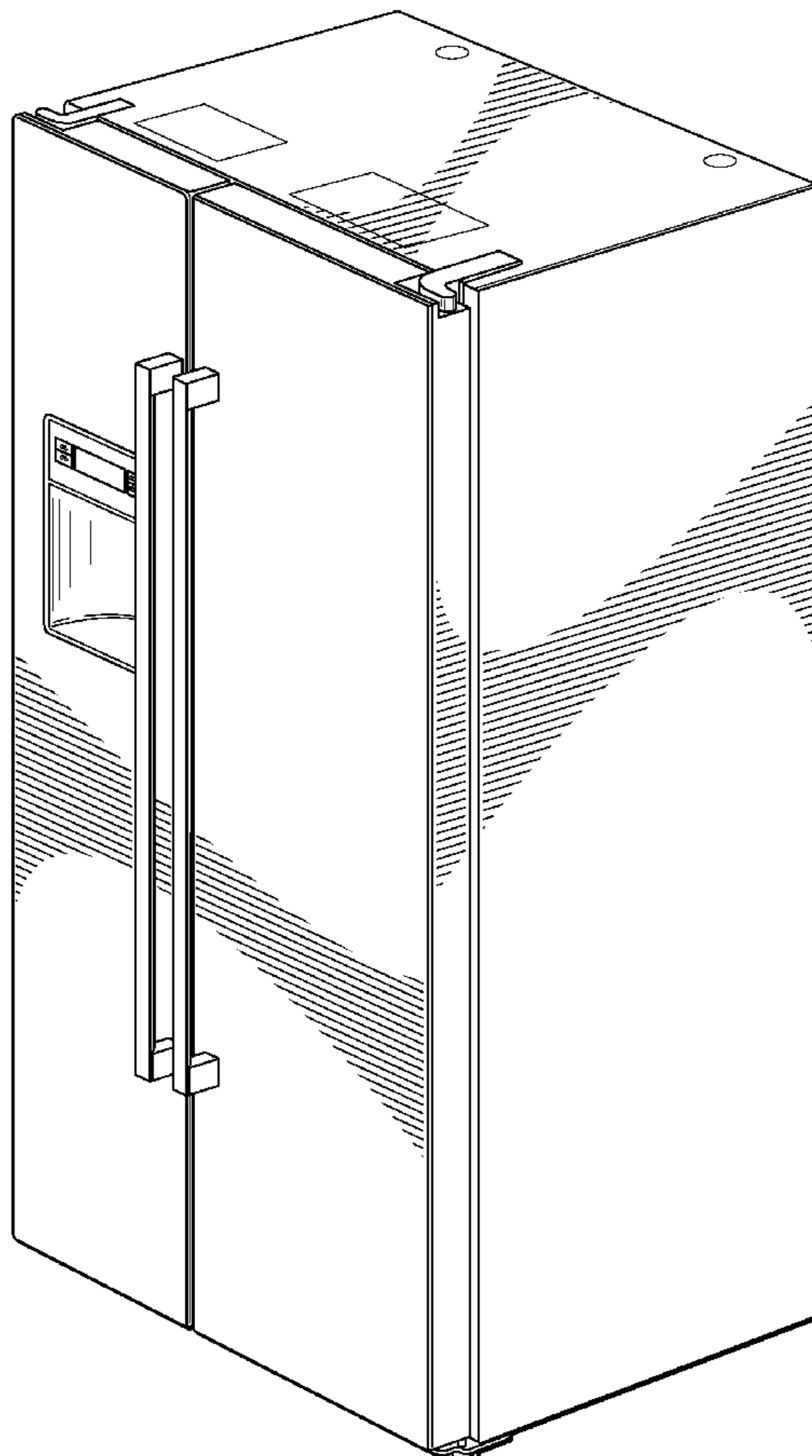
FIG. 1 is a front view of a refrigerator with glass door showing my new design;

FIG. 2 is a left side view thereof;

FIG. 3 is a top view thereof; and,

FIG. 4 is a perspective view thereof.

1 Claim, 4 Drawing Sheets



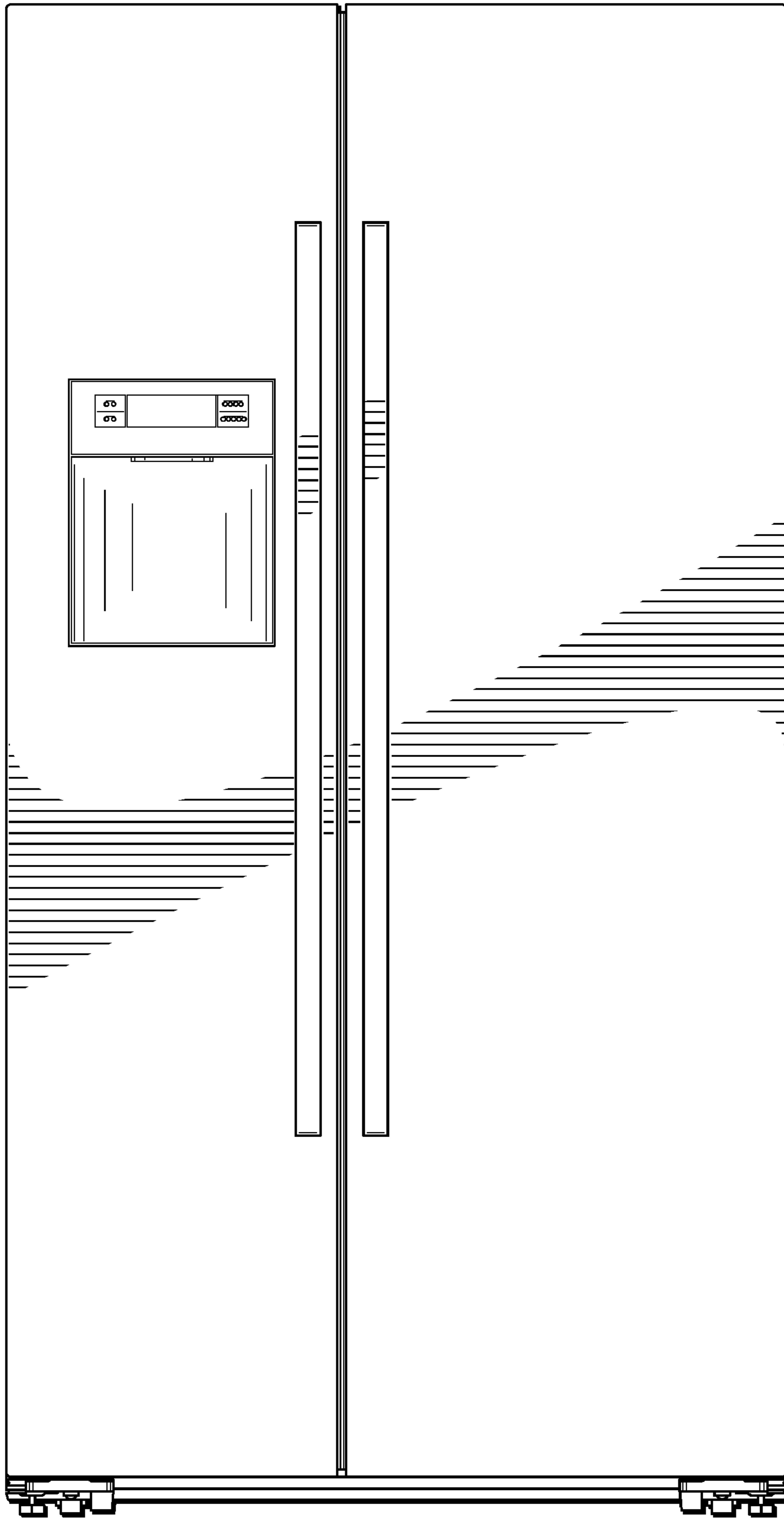


FIG. 1

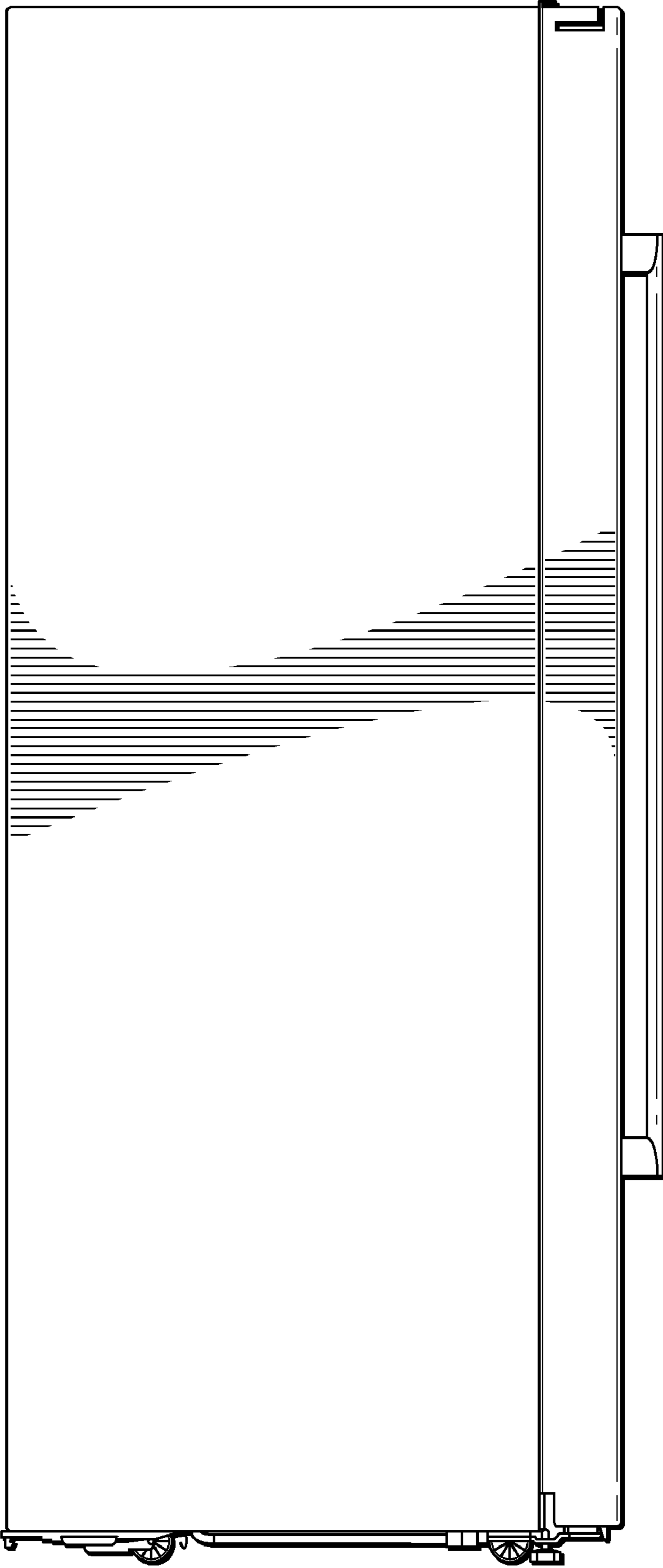


FIG. 2

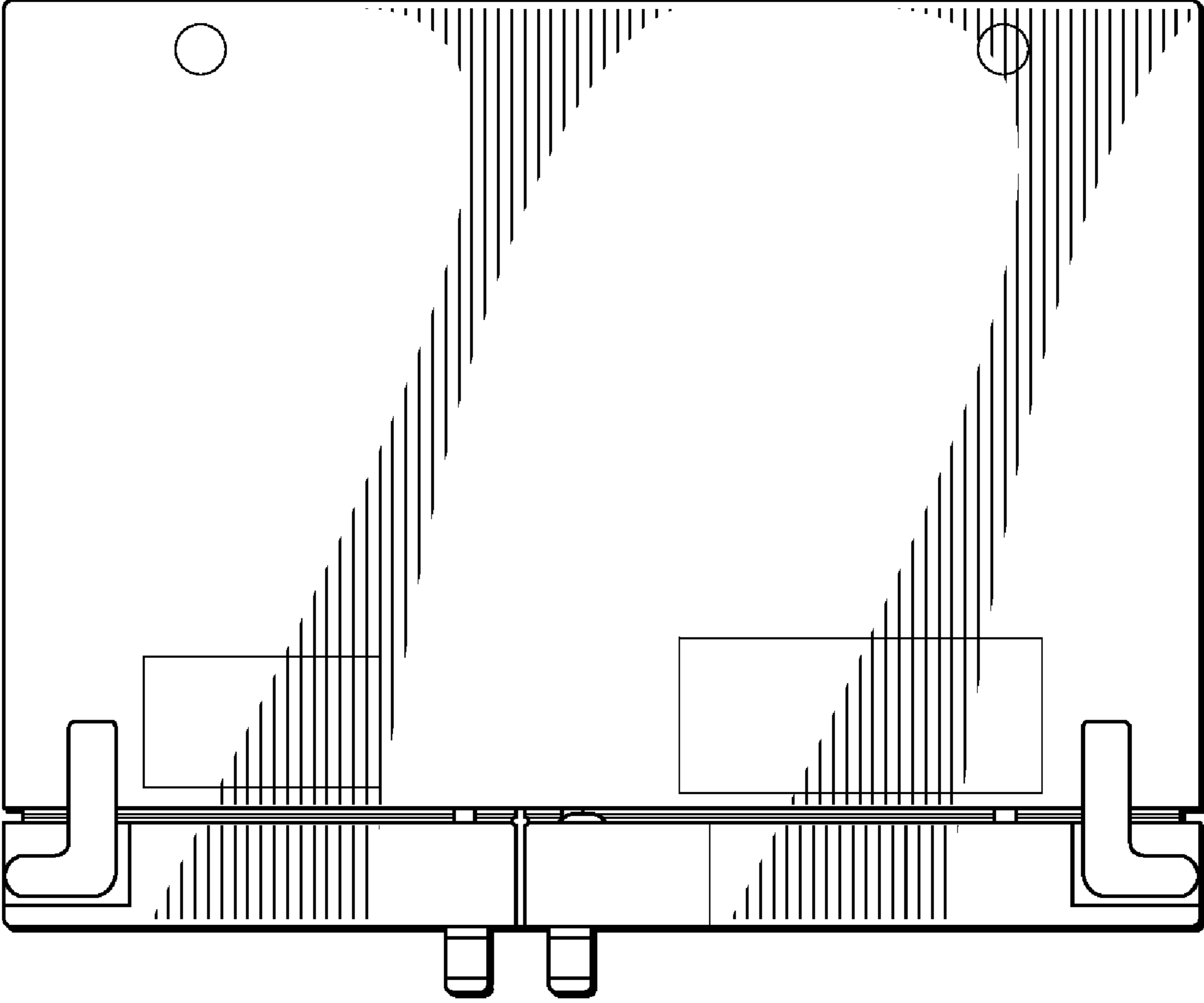


FIG. 3

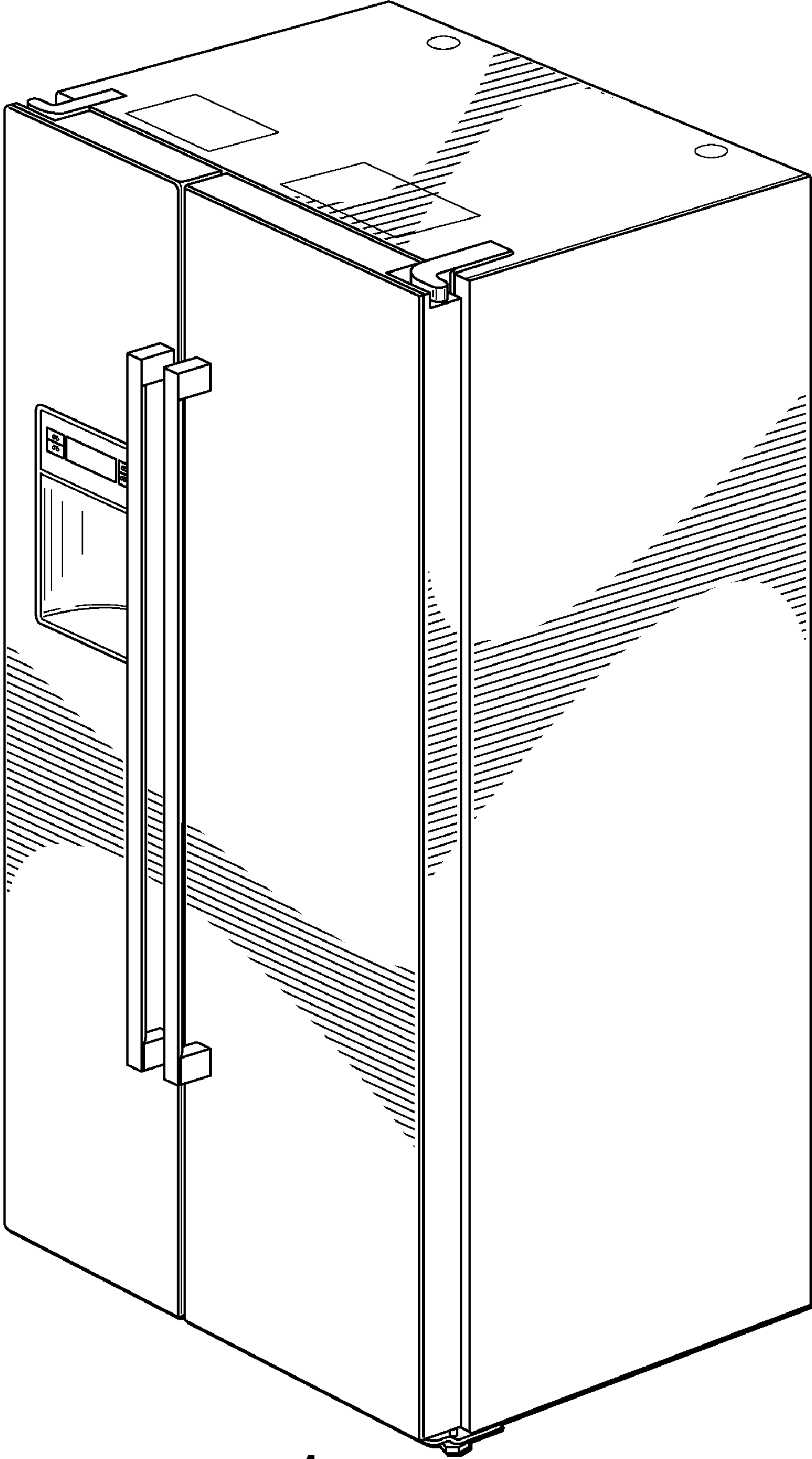


FIG. 4