



US00D613313S

(12) **United States Design Patent**
Bhanuprakash

(10) **Patent No.:** **US D613,313 S**

(45) **Date of Patent:** **** Apr. 6, 2010**

(54) **TRACTOR**

(75) Inventor: **S. A. Bhanuprakash**, Mumbai (IN)

(73) Assignee: **Mahindra & Mahindra, Ltd**, Mumbai, Maharashtra (IN)

(**) Term: **14 Years**

(21) Appl. No.: **29/305,678**

(22) Filed: **Mar. 26, 2008**

(30) **Foreign Application Priority Data**

Sep. 27, 2007 (IN) 212662

(51) **LOC (9) Cl.** **12-09**

(52) **U.S. Cl.** **D15/23**

(58) **Field of Classification Search** D15/10,
D15/14-17, 22-26; 56/13.4, 13.3, 15.8,
56/15.9, 16.1, 16.7, 175, 202; 180/89.1,
180/89.12, 900

See application file for complete search history.

(56) **References Cited**

U.S. PATENT DOCUMENTS

D306,301 S *	2/1990	Funabashi et al.	D15/23
D329,435 S *	9/1992	Katoh et al.	D15/23
D378,755 S *	4/1997	Kato et al.	D15/23
D422,606 S *	4/2000	Katoh et al.	D15/23
D438,546 S *	3/2001	Katoh et al.	D15/23
D501,487 S *	2/2005	Katoh et al.	D15/23
D513,268 S *	12/2005	Wang et al.	D15/23

D525,992 S *	8/2006	Higashikawa et al.	D15/6
D526,335 S *	8/2006	Kuwae et al.	D15/23
D542,308 S *	5/2007	Oka et al.	D15/23
D547,333 S *	7/2007	Nishi et al.	D15/23
D553,159 S *	10/2007	Higashikawa et al.	D15/23
D558,797 S *	1/2008	Yamamoto et al.	D15/26

* cited by examiner

Primary Examiner—Ian Simmons

Assistant Examiner—Mark A Goodwin

(74) *Attorney, Agent, or Firm*—George W. Moxon, II; Moxon & Spriegel LLC

(57) **CLAIM**

The ornamental design for a tractor, as shown and described.

DESCRIPTION

FIG. 1 is a left side view of the tractor showing our new design;

FIG. 2 is a right side view thereof;

FIG. 3 is a rear side view thereof;

FIG. 4 is a front view thereof;

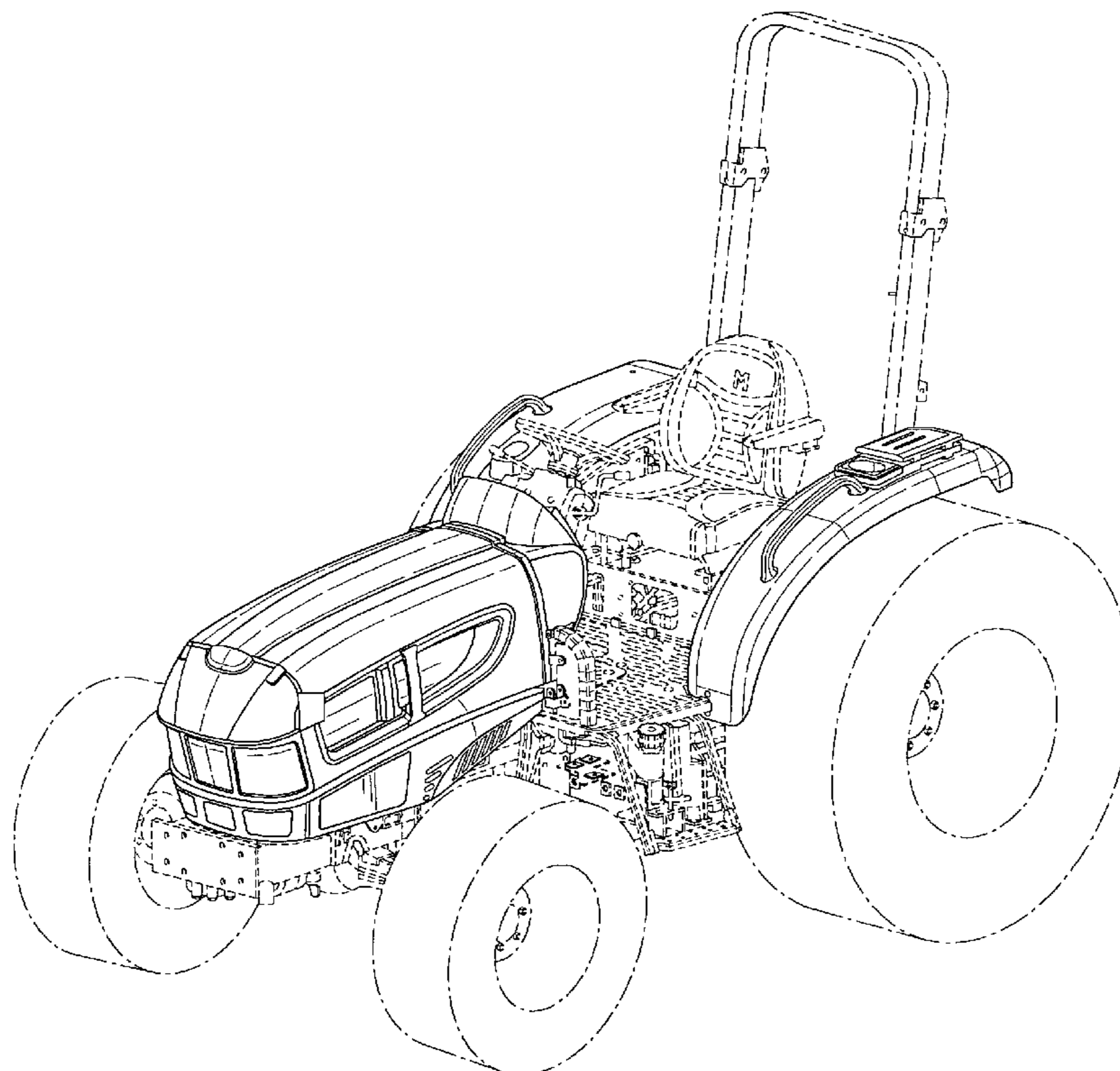
FIG. 5 is a top view thereof;

FIG. 6 is a left perspective view thereof; and,

FIG. 7 is a right perspective view thereof.

The broken line showing of the tractor is included for the purpose of illustrating environmental structure and forms no part of the claimed design.

1 Claim, 7 Drawing Sheets



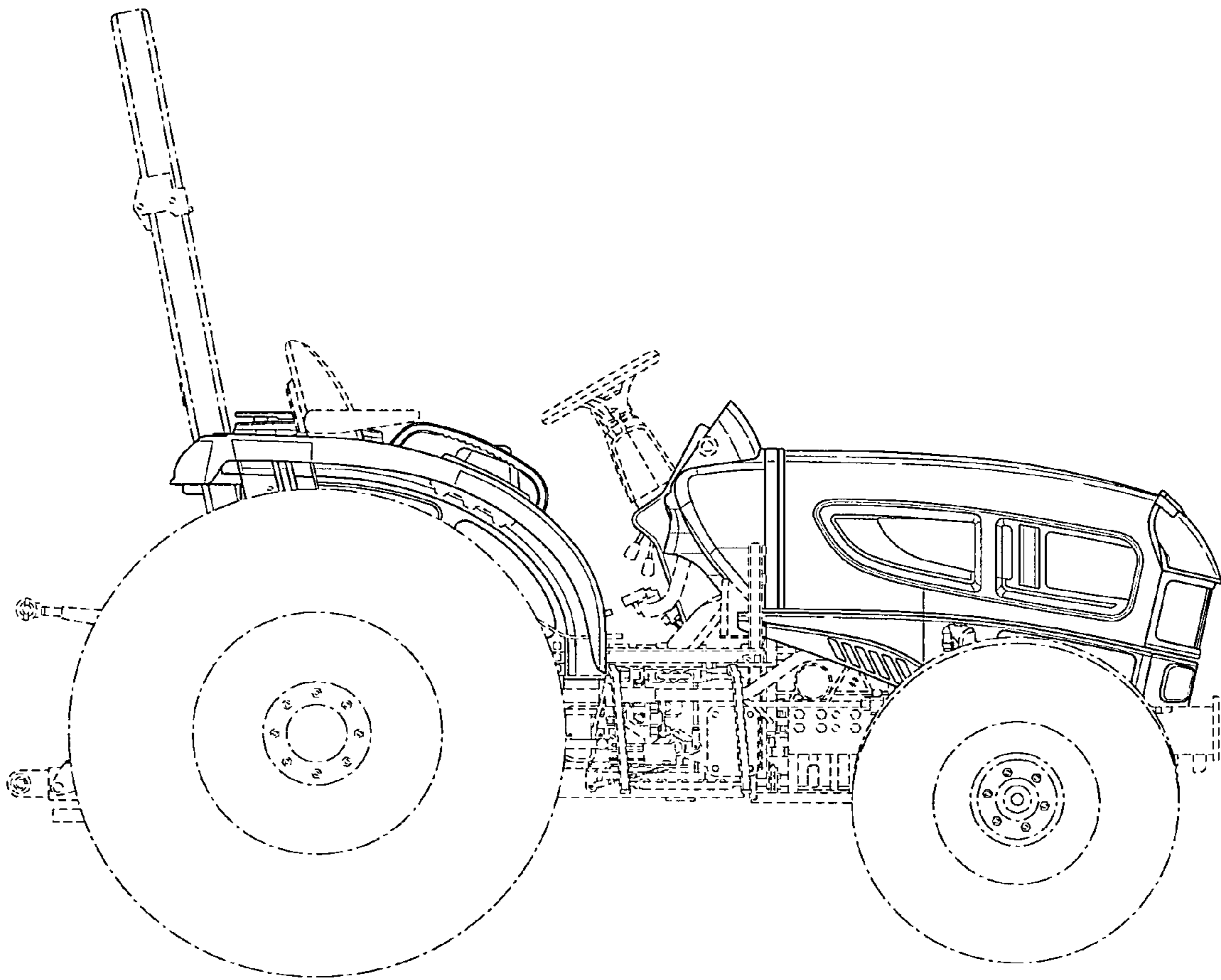


FIG-1

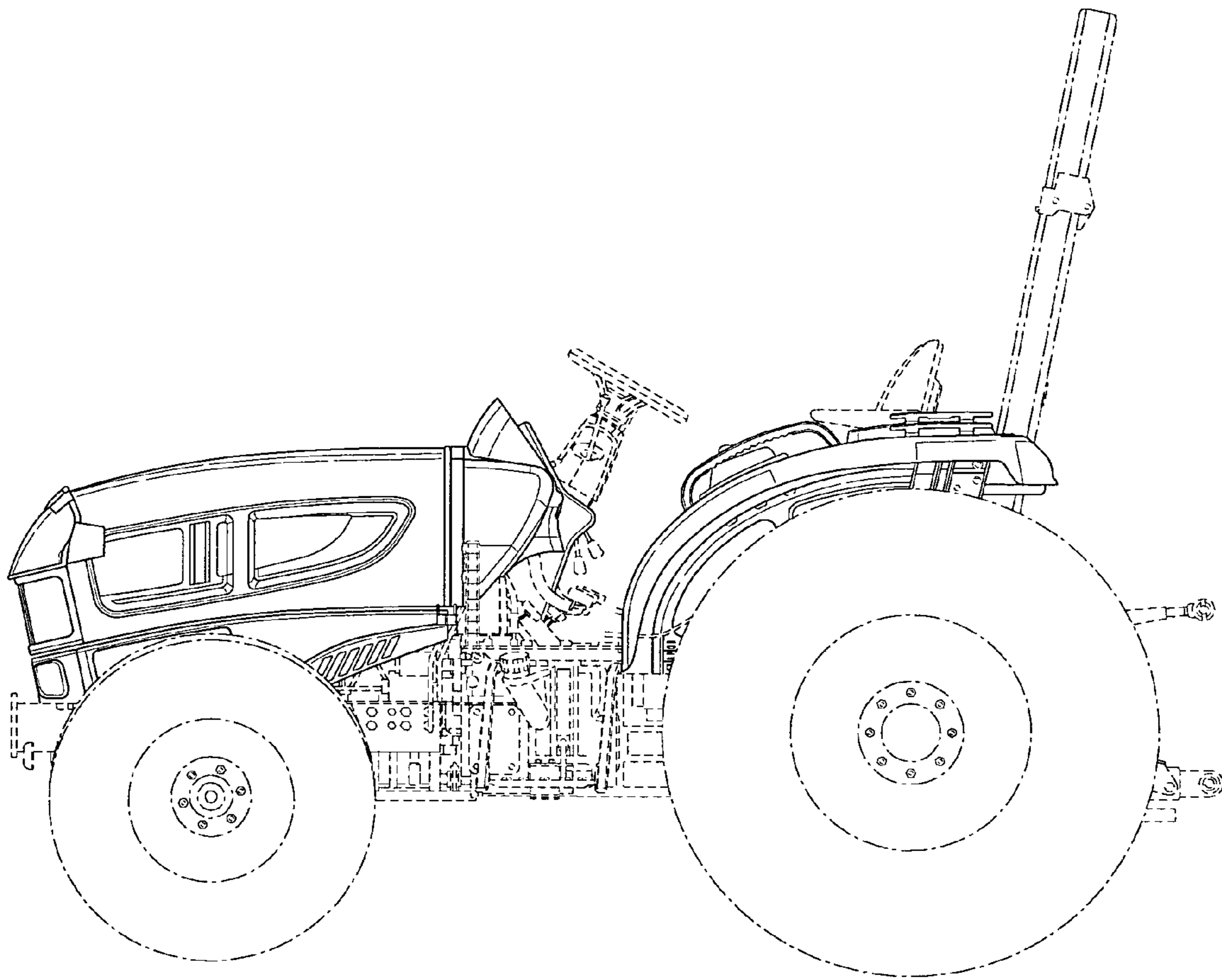


FIG-2

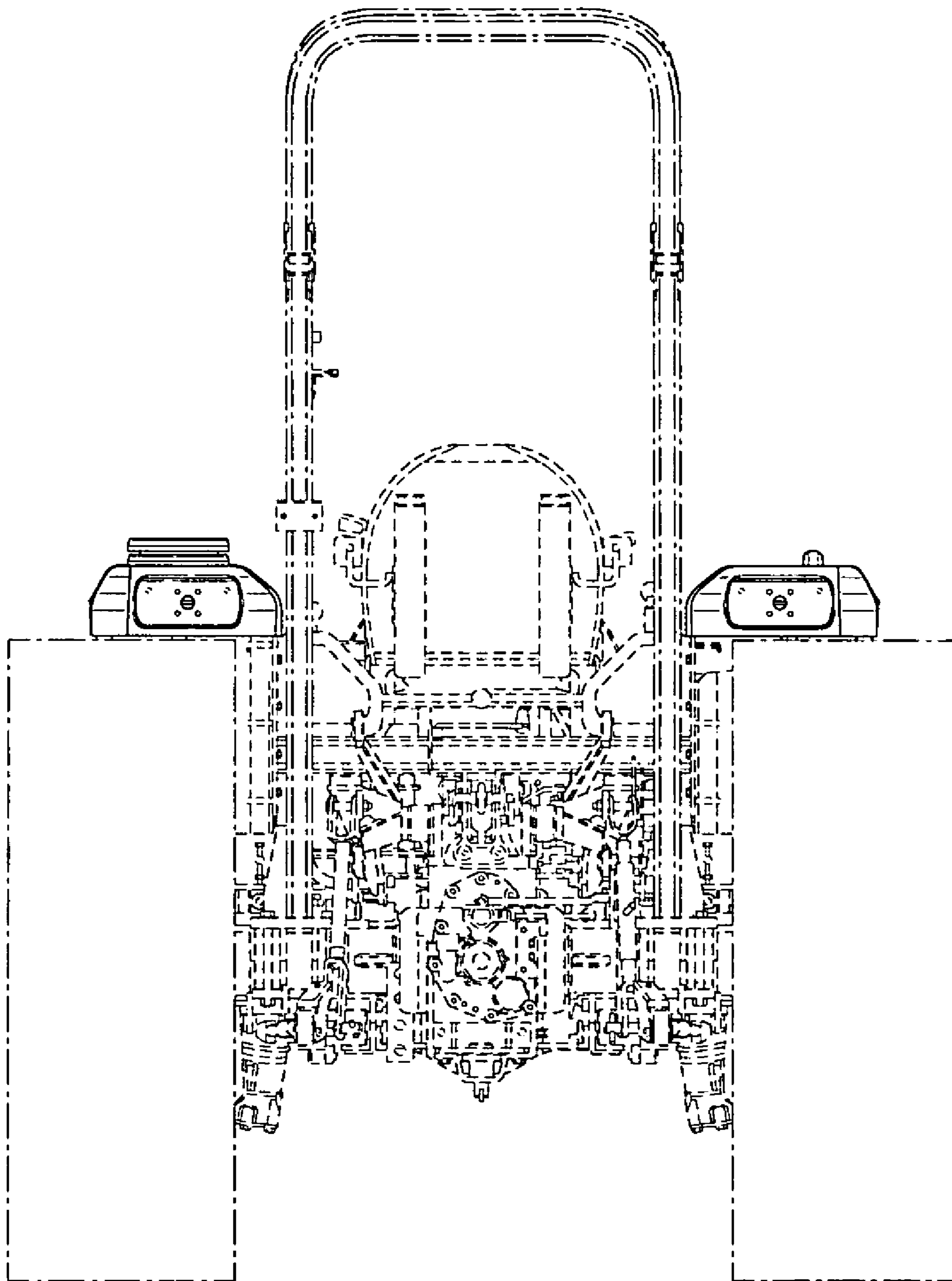


FIG-3

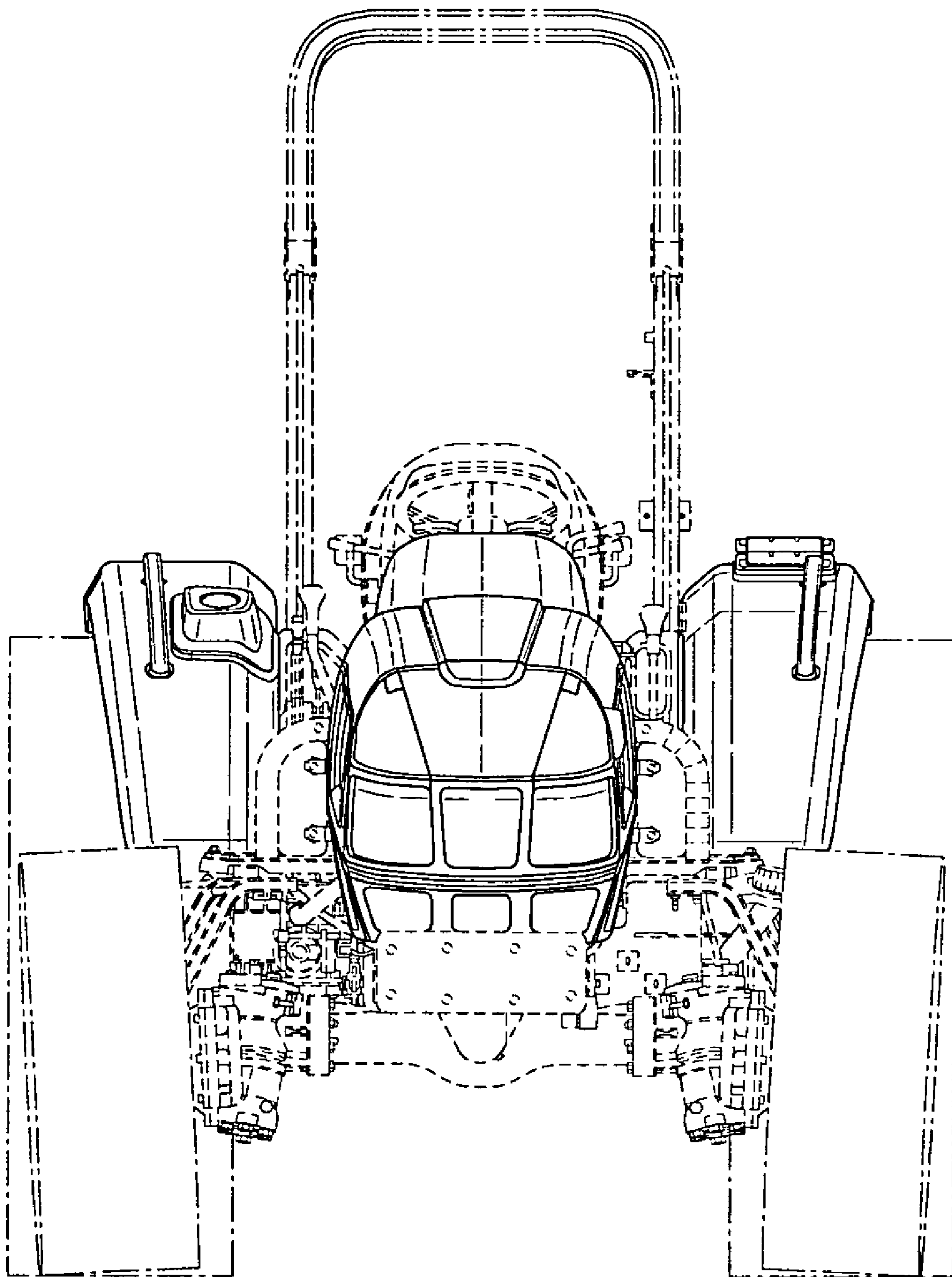


FIG-4

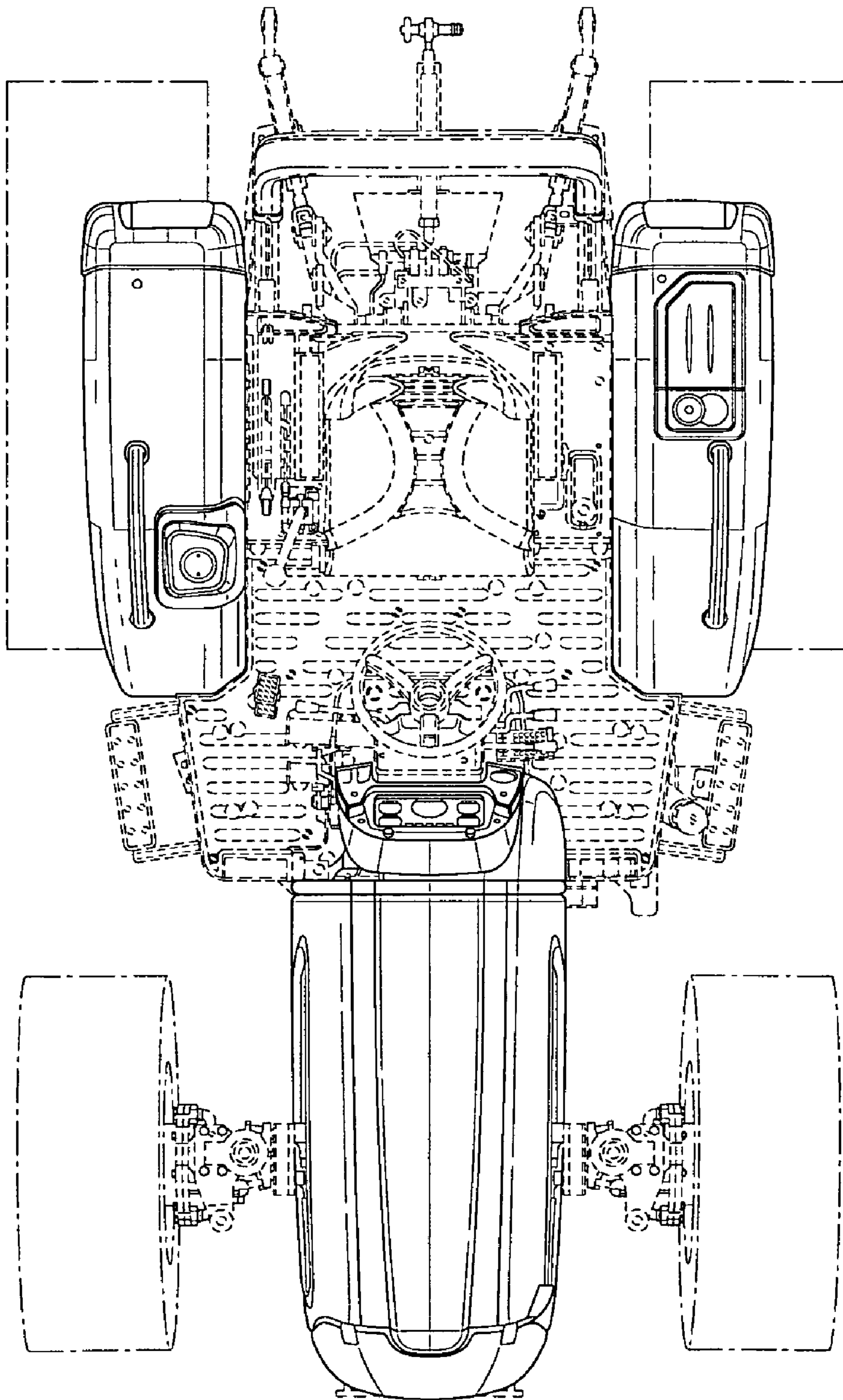


FIG-5

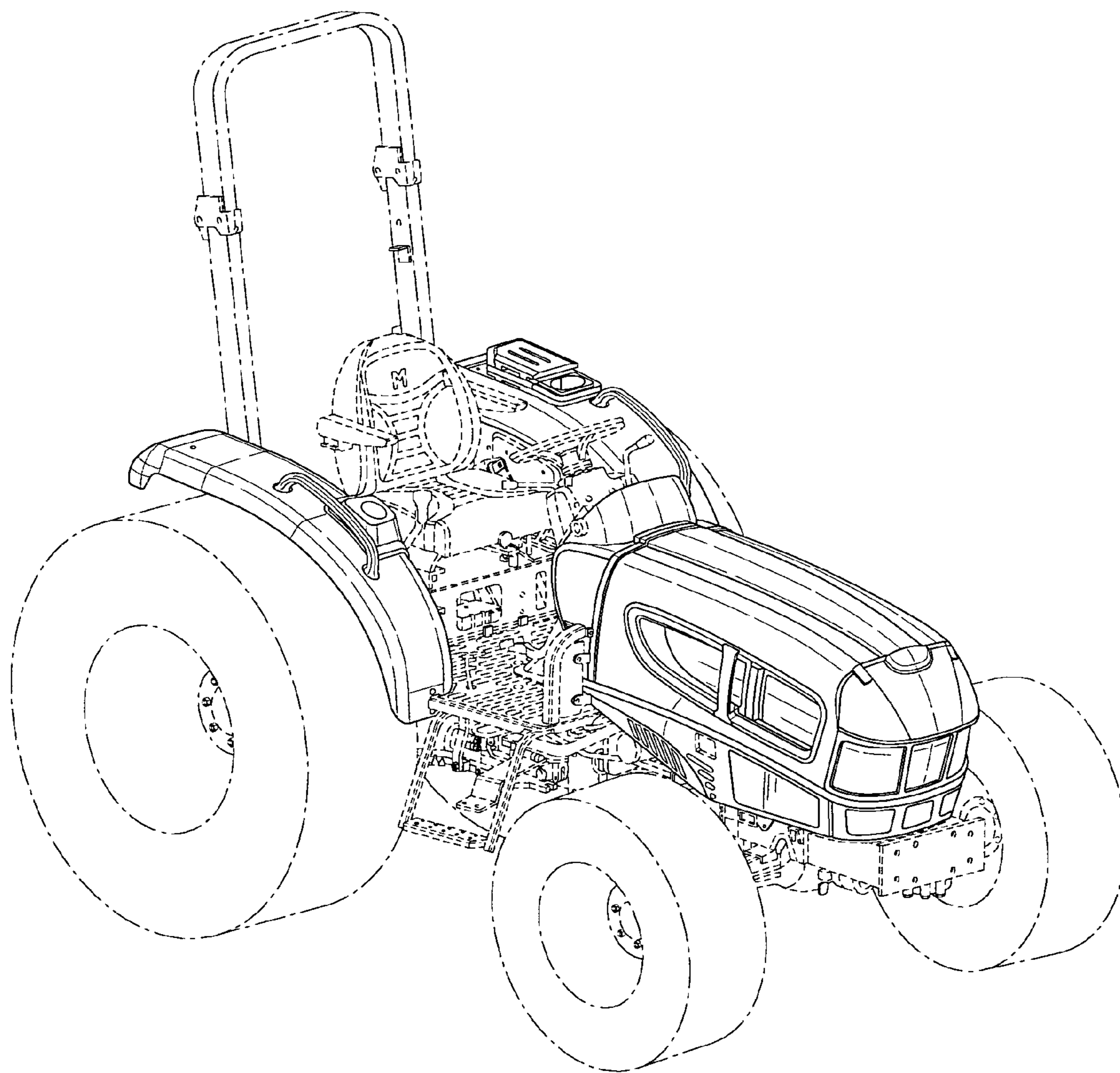


FIG-6

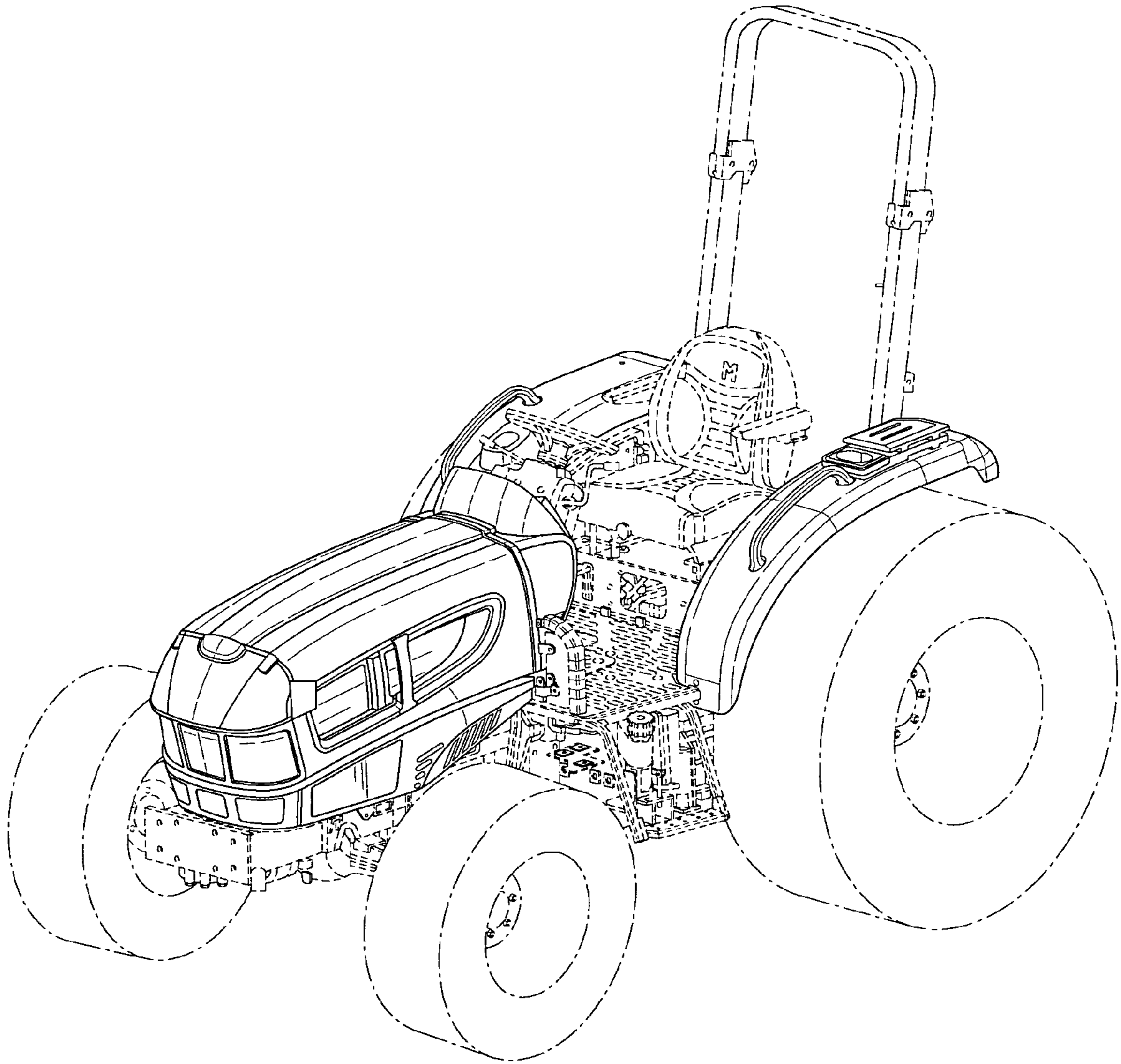


FIG-7