



US00D613312S

(12) **United States Design Patent**
Lopp

(10) **Patent No.:** **US D613,312 S**
(45) **Date of Patent:** **** Apr. 6, 2010**

(54) **POWER ASSIST MOTOR FOR BICYCLE**

(76) Inventor: **James Lopp**, 4024 Weber Ln., Floyds
Knobs, IN (US) 47119

(**) Term: **14 Years**

(21) Appl. No.: **29/329,190**

(22) Filed: **Dec. 10, 2008**

(51) **LOC (9) Cl.** **15-01**

(52) **U.S. Cl.** **D15/1; D12/111**

(58) **Field of Classification Search** D15/1-4;
D13/101, 112-114, 122, 184, 199; D12/111,
D12/114; 180/65.1, 65.24, 220, 272, 205-206,
180/216, 227-228; 280/288.1, 288.2, 288.3,
280/284-288, 278, 283-286

See application file for complete search history.

(56) **References Cited**

U.S. PATENT DOCUMENTS

633,484 A	9/1899	Pond	
731,207 A *	6/1903	Nechlediel et al.	180/205
1,158,311 A	10/1915	Schunk	
1,191,287 A	7/1916	De Vaux	
1,259,989 A	3/1918	Hult	
1,297,218 A *	3/1919	Merkel	180/228
1,424,581 A	8/1922	Mepstead	
2,031,881 A	2/1936	Evinrude	
2,069,679 A	2/1937	Petmecky	
2,575,873 A *	11/1951	Henney	180/205
3,339,659 A	9/1967	Wolf	
3,431,994 A	3/1969	Wood, Jr.	
3,841,428 A	10/1974	Bialek	
3,891,044 A	6/1975	Tiede	
3,915,250 A	10/1975	Laden et al.	
3,961,678 A	6/1976	Hirano et al.	
3,966,007 A	6/1976	Havener et al.	
4,014,402 A	3/1977	Muto	
4,143,730 A	3/1979	Desmond	

4,167,984 A	9/1979	Hottes et al.	
D253,102 S	10/1979	Hahn	
D253,103 S	10/1979	Hahn	
4,172,504 A	10/1979	Muto	
4,175,629 A	11/1979	Kalajzich	
4,195,705 A	4/1980	Resele	
4,200,164 A	4/1980	Pearne	
4,267,898 A *	5/1981	Wheaton	180/205
D273,100 S	3/1984	Ziegler	
4,603,754 A	8/1986	Matsutoh et al.	
4,671,524 A	6/1987	Haubenwallner	

(Continued)

Primary Examiner—Ian Simmons
Assistant Examiner—Wan Laymon
(74) *Attorney, Agent, or Firm*—Waters Law Group, PLLC;
Robert R. Waters; Brian W. Foxworthy

(57) **CLAIM**

The ornamental design for a power assist motor for bicycle, as shown and described.

DESCRIPTION

FIG. 1 is a rear perspective view of my new design for a power assist motor for bicycle.

FIG. 2 is a rear view of my new design for a power assist motor for bicycle.

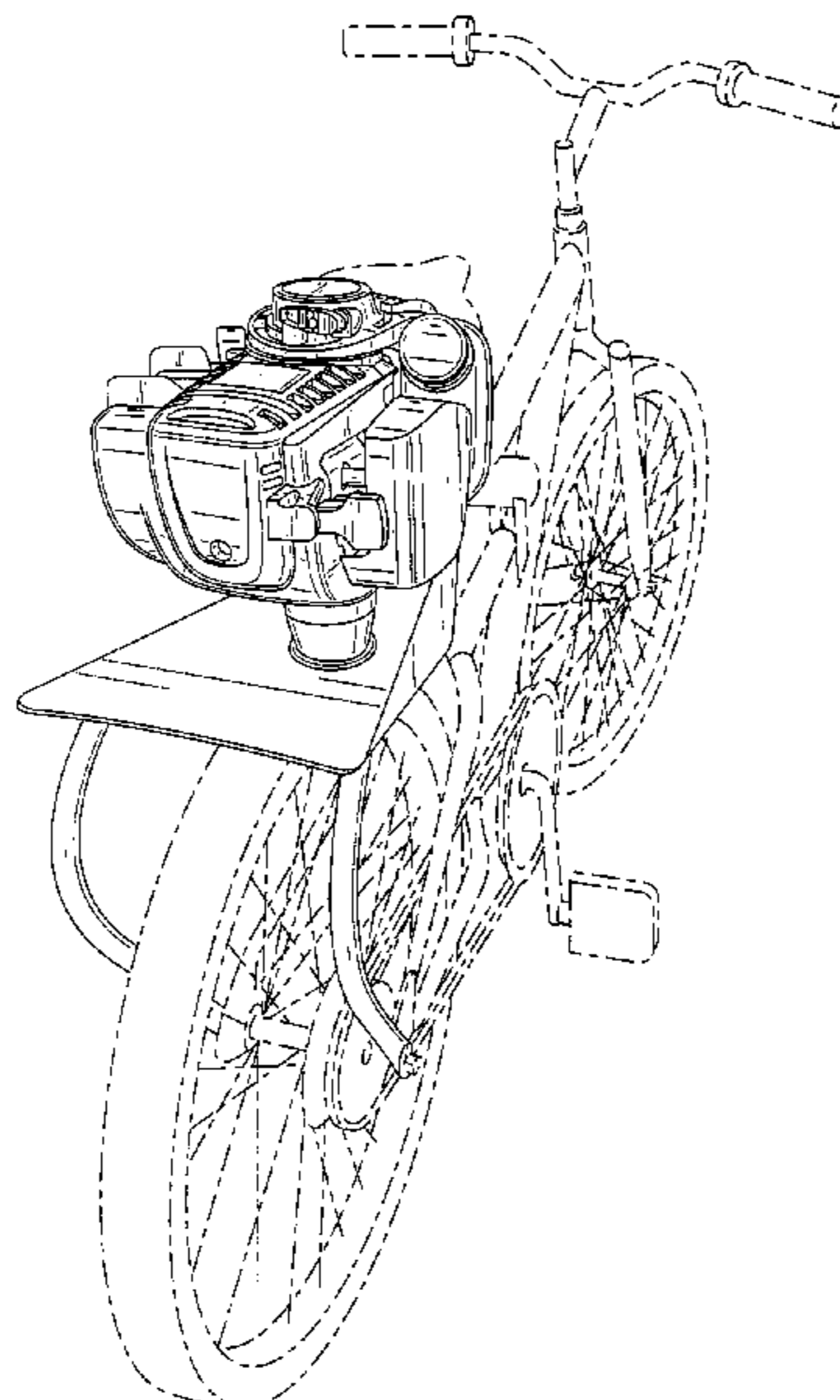
FIG. 3 is an enlarged left side view of my new design for a power assist motor for bicycle.

FIG. 4 is an enlarged right side view of my new design for a power assist motor for bicycle; and,

FIG. 5 is a top view of my new design for a power assist motor for bicycle.

The broken line showing of a bicycle is included for illustrating environmental structure only and forms no part of the claimed design.

1 Claim, 5 Drawing Sheets



US D613,312 S

Page 2

U.S. PATENT DOCUMENTS			
5,078,227	A	1/1992	Becker
D342,926	S *	1/1994	Russell D12/111
5,423,393	A	6/1995	Felt
5,491,390	A	2/1996	McGreen
5,660,242	A	8/1997	Witthaus
5,671,821	A	9/1997	McGreen
5,735,363	A	4/1998	Horovitz et al.
5,816,355	A	10/1998	Battlogg et al.
5,853,062	A *	12/1998	Hulett 180/206
D425,454	S	5/2000	Gorvine et al.
D433,654	S	11/2000	Gorvine et al.
6,152,251	A *	11/2000	Nagai et al. 180/220
6,290,014	B1 *	9/2001	MacCready, Jr. 180/205
6,497,299	B1	12/2002	Sinclair et al.
D470,437	S	2/2003	Wachendorf et al.
D472,851	S	4/2003	Tajima et al.
6,557,657	B2 *	5/2003	Persson 180/220
D483,078	S *	12/2003	Jung D21/423
D485,789	S *	1/2004	Lai D12/111
D488,406	S	4/2004	Sramek
D507,767	S	7/2005	Chan
D509,188	S *	9/2005	Mayer et al. D15/1
D519,416	S *	4/2006	Wu D12/111
7,150,339	B2	12/2006	Liao et al.

* cited by examiner

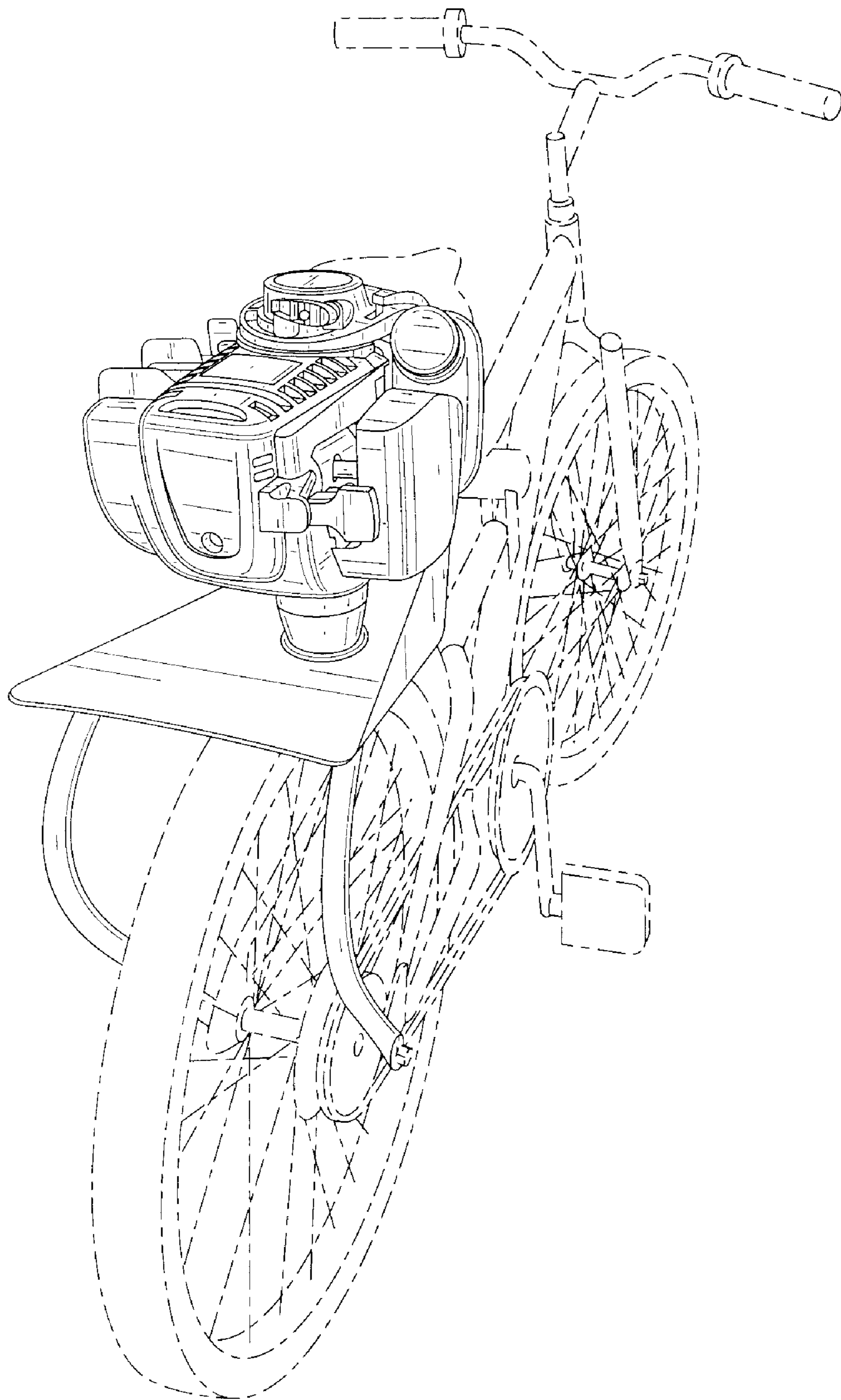


FIG. 1

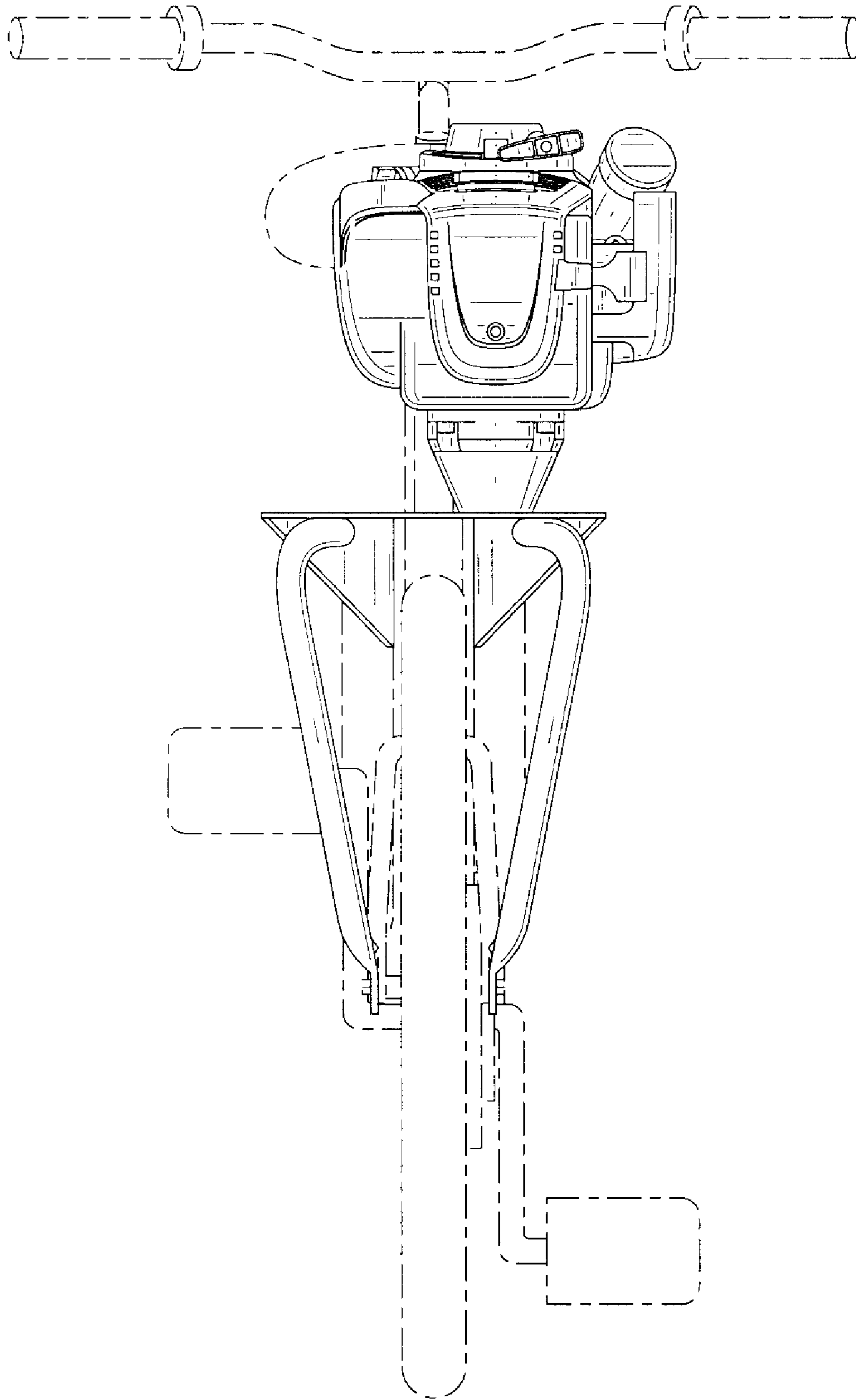


FIG. 2

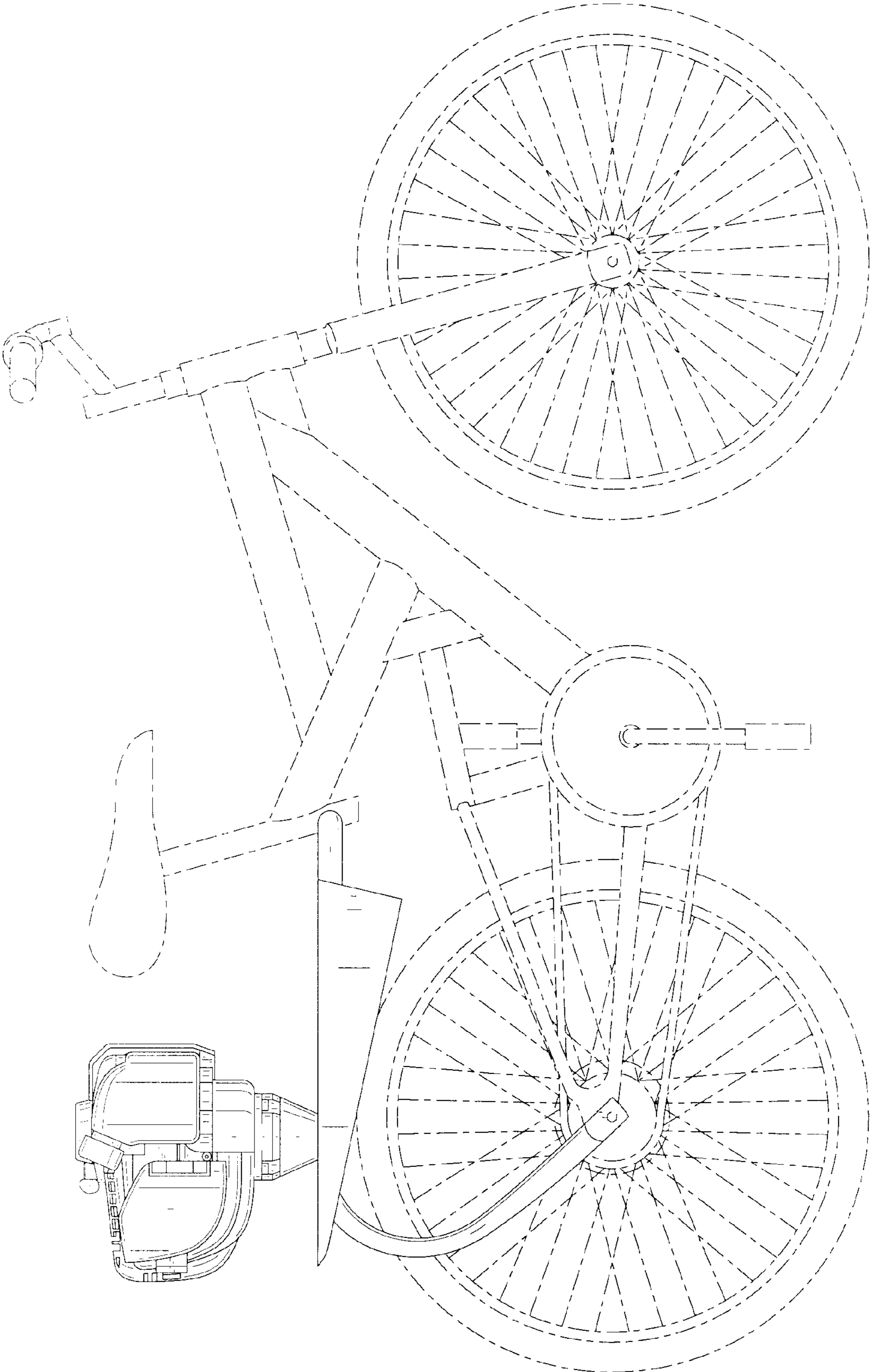


FIG. 3

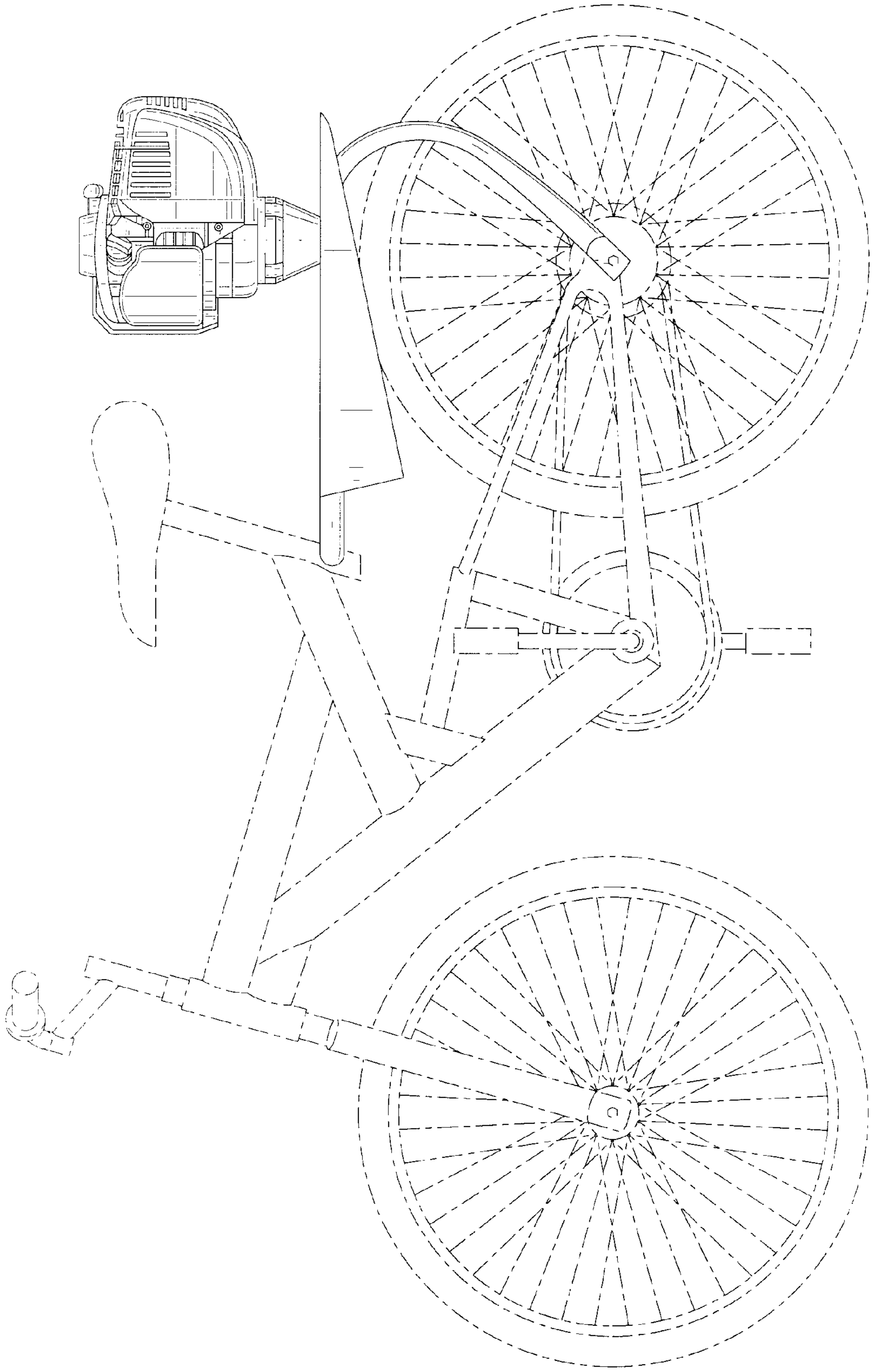


FIG. 4

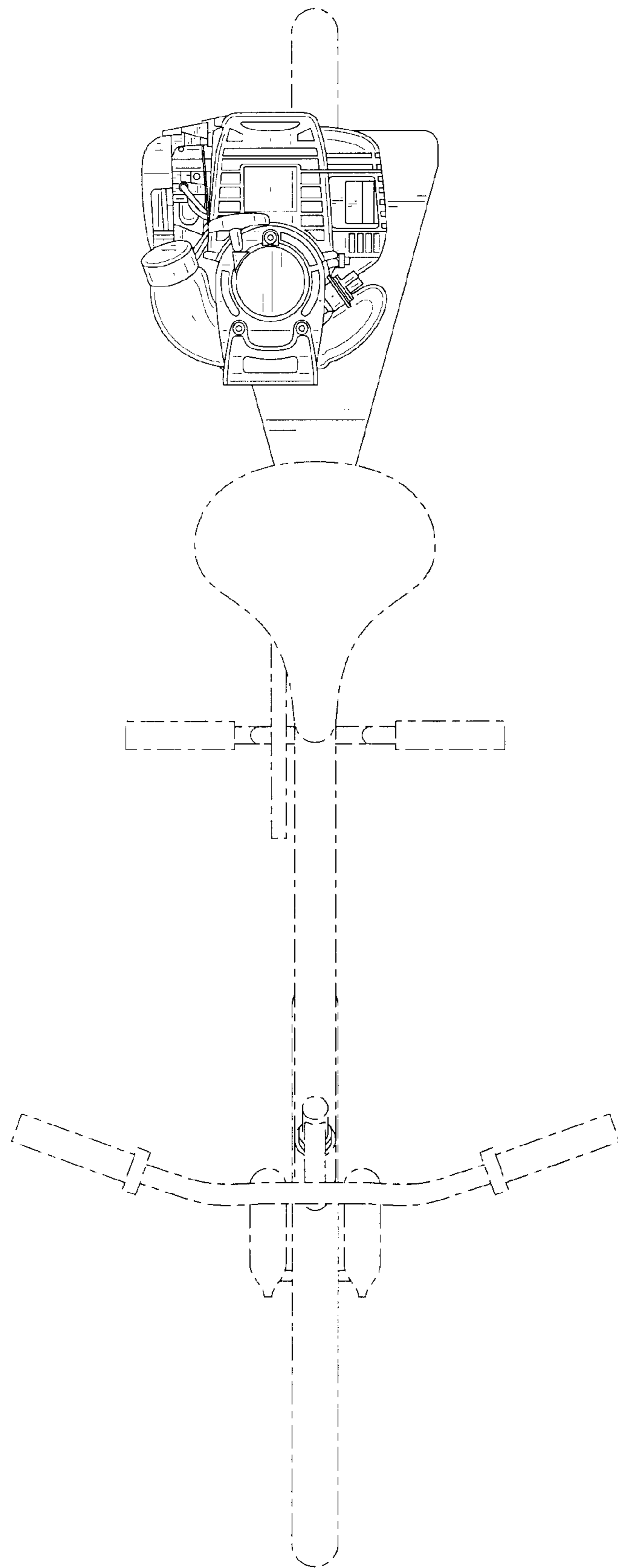


FIG. 5