



US00D613311S

(12) **United States Design Patent**  
**Kim**

(10) **Patent No.:** **US D613,311 S**

(45) **Date of Patent:** **\*\* Apr. 6, 2010**

(54) **MINIAUDIO**

D561,161 S 2/2008 Cho et al.  
D561,782 S \* 2/2008 Kim et al. .... D14/496  
D592,179 S 5/2009 Ichinose et al.

(75) Inventor: **Jin-Wook Kim**, Kyungsangbuk-do (KR)

(73) Assignee: **Samsung Electronics Co., Ltd.**, Suwon, Kyunggi-Do (KR)

(\*\*) Term: **14 Years**

(21) Appl. No.: **29/315,570**

(22) Filed: **Jul. 6, 2009**

(51) **LOC (9) Cl.** ..... **14-01**

(52) **U.S. Cl.** ..... **D14/502**

(58) **Field of Classification Search** ..... D14/496,  
D14/498-505, 511, 157, 167-168, 188, 197-198,  
D14/257-258; 360/99.02, 99.07; 369/75.11,  
369/75.21, 77.11, 77.21; 720/601, 612, 619,  
720/649, 655; 455/344, 347-351

See application file for complete search history.

(56) **References Cited**

**U.S. PATENT DOCUMENTS**

D513,617 S \* 1/2006 Tierney ..... D14/496  
D520,975 S \* 5/2006 Kim et al. .... D14/502  
D521,475 S \* 5/2006 Dai et al. .... D14/505  
D527,362 S \* 8/2006 Inoue ..... D14/506  
D537,425 S \* 2/2007 Park ..... D14/502  
D560,686 S 1/2008 Kim et al.

**OTHER PUBLICATIONS**

U.S. Appl. No. 29/315,569, Applicant: Jin-Wook Kim, filed Jul. 6, 2009 entitled Mini Audio.

\* cited by examiner

*Primary Examiner*—Nanda Bondade

(74) *Attorney, Agent, or Firm*—Flynn, Thiel, Boutell & Tanis, P.C.

(57) **CLAIM**

The ornamental design for a mini audio, as shown and described.

**DESCRIPTION**

FIG. 1 is a top front perspective view of a mini audio showing my new design;

FIG. 2 is a front elevational view thereof;

FIG. 3 is a rear elevational view thereof;

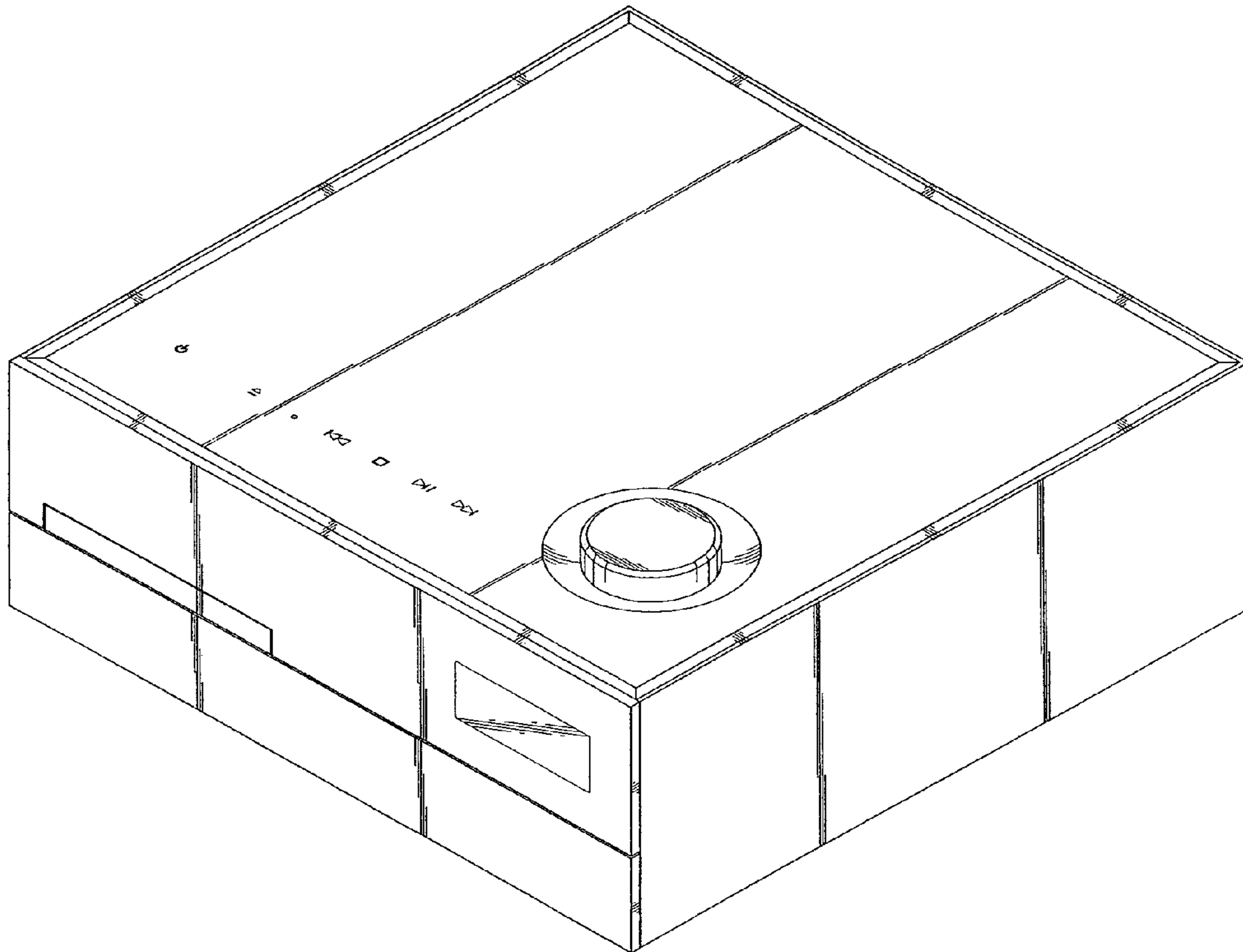
FIG. 4 is a left side elevational view thereof;

FIG. 5 is a right side elevational view thereof;

FIG. 6 is a top plan view thereof; and,

FIG. 7 is a bottom plan view thereof.

**1 Claim, 5 Drawing Sheets**



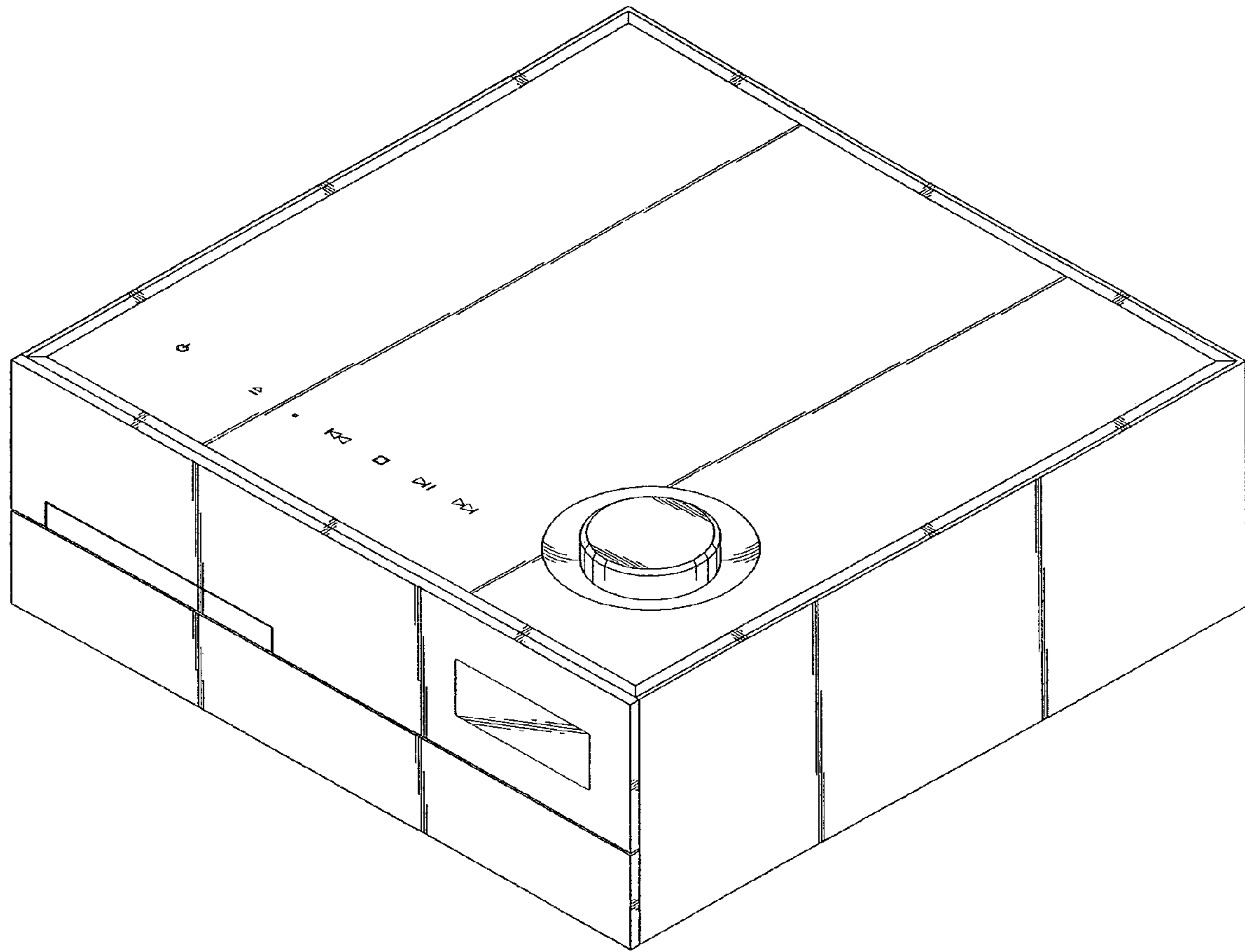


FIG. 1

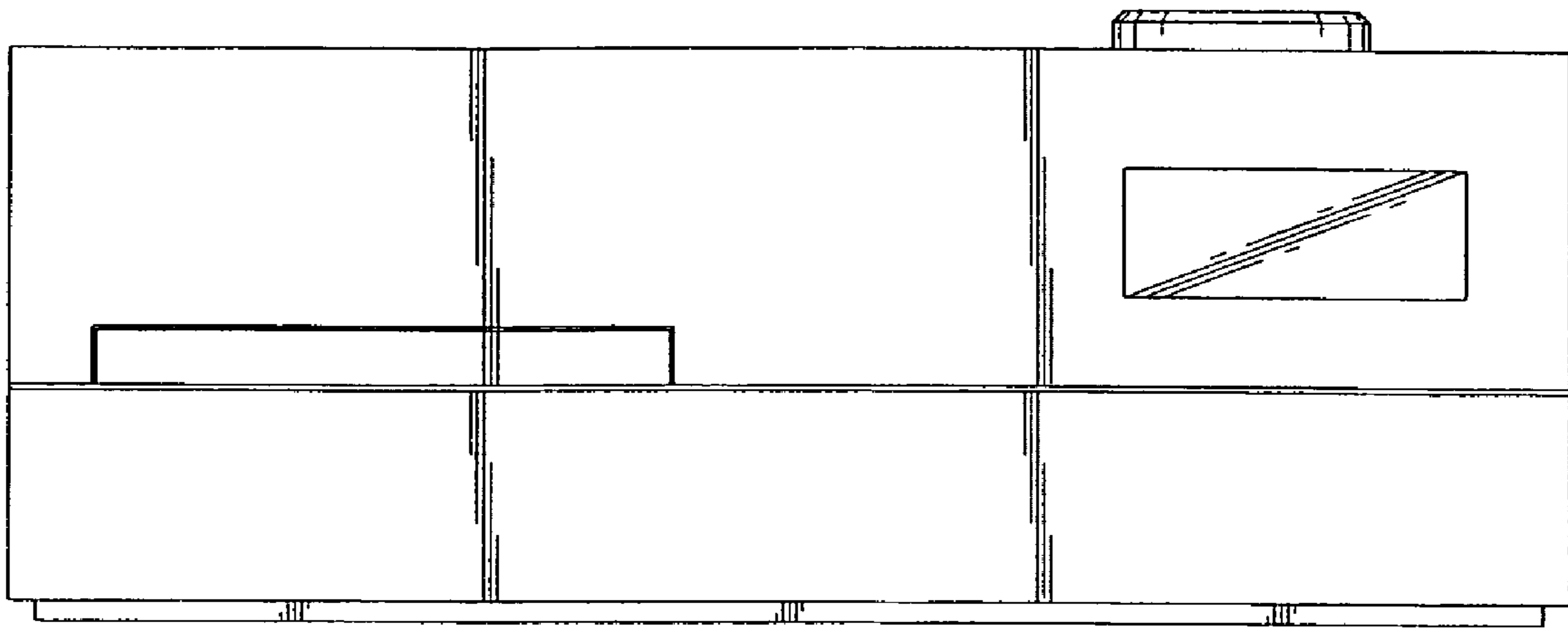


FIG. 2

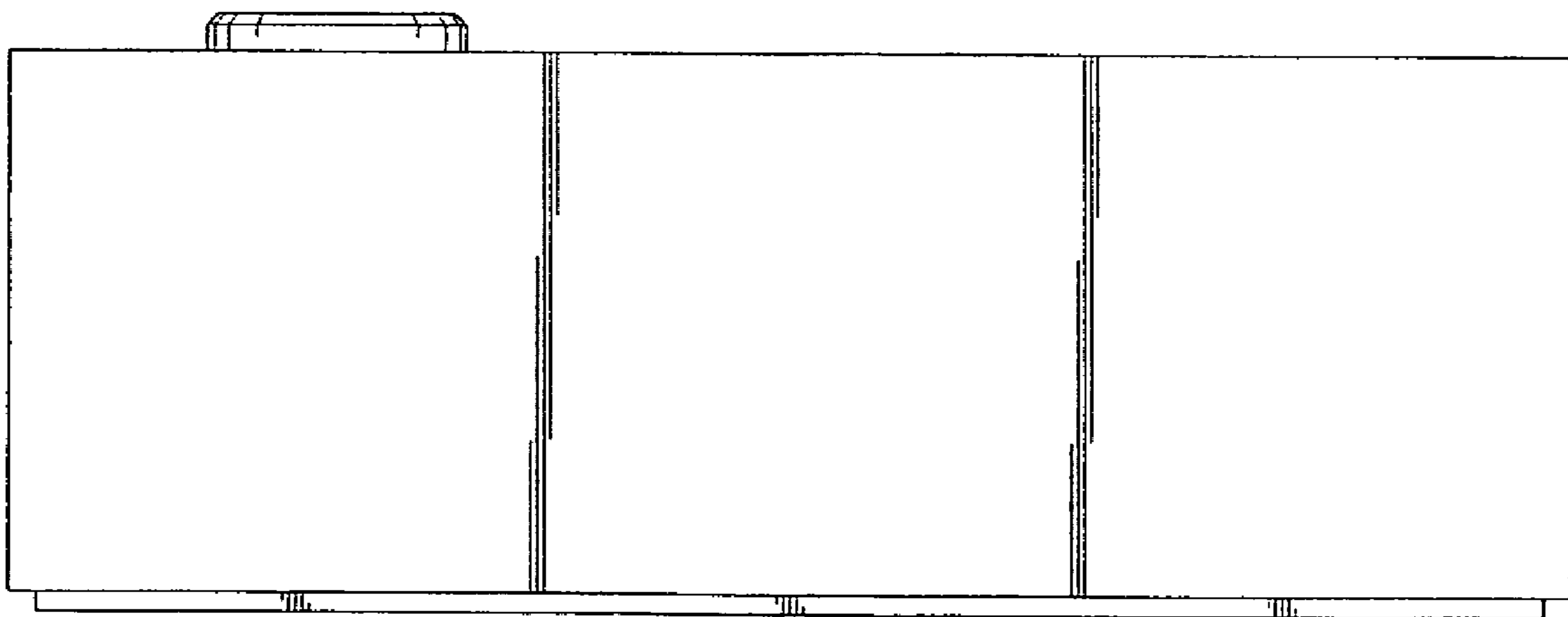


FIG. 3

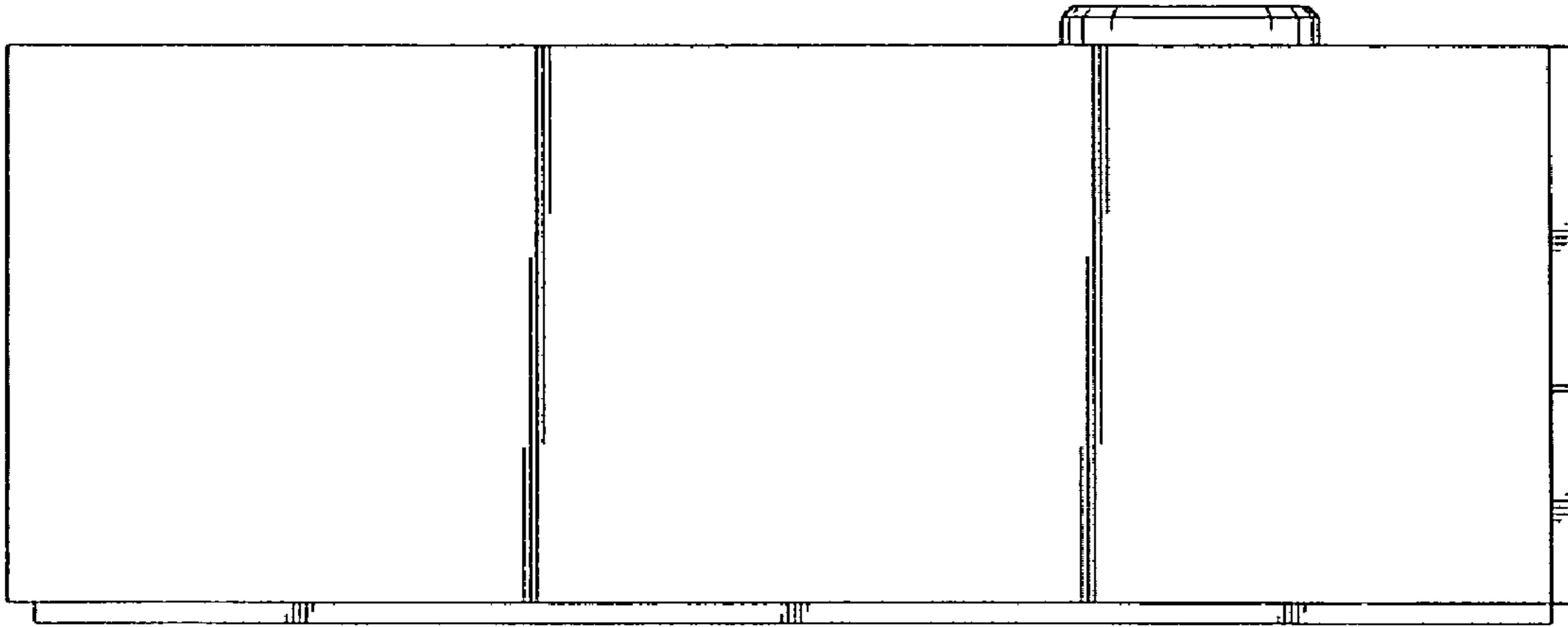


FIG. 4

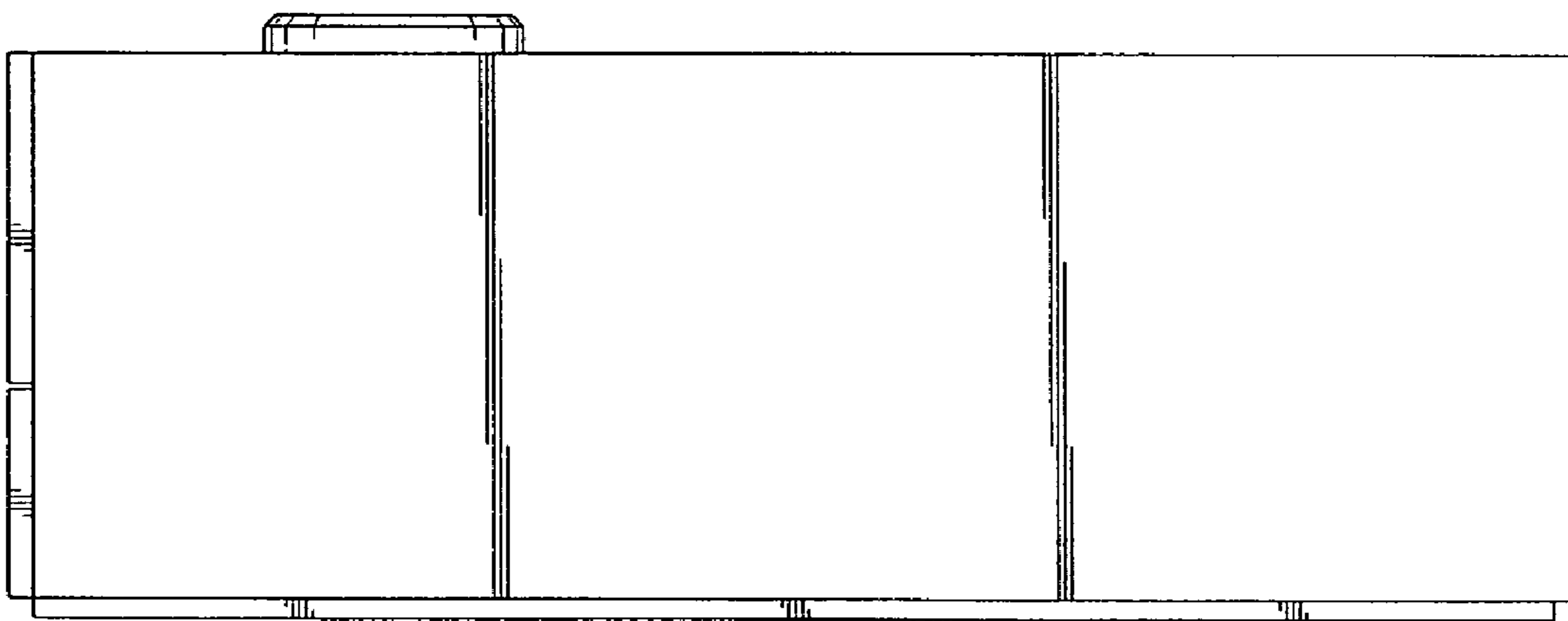


FIG. 5

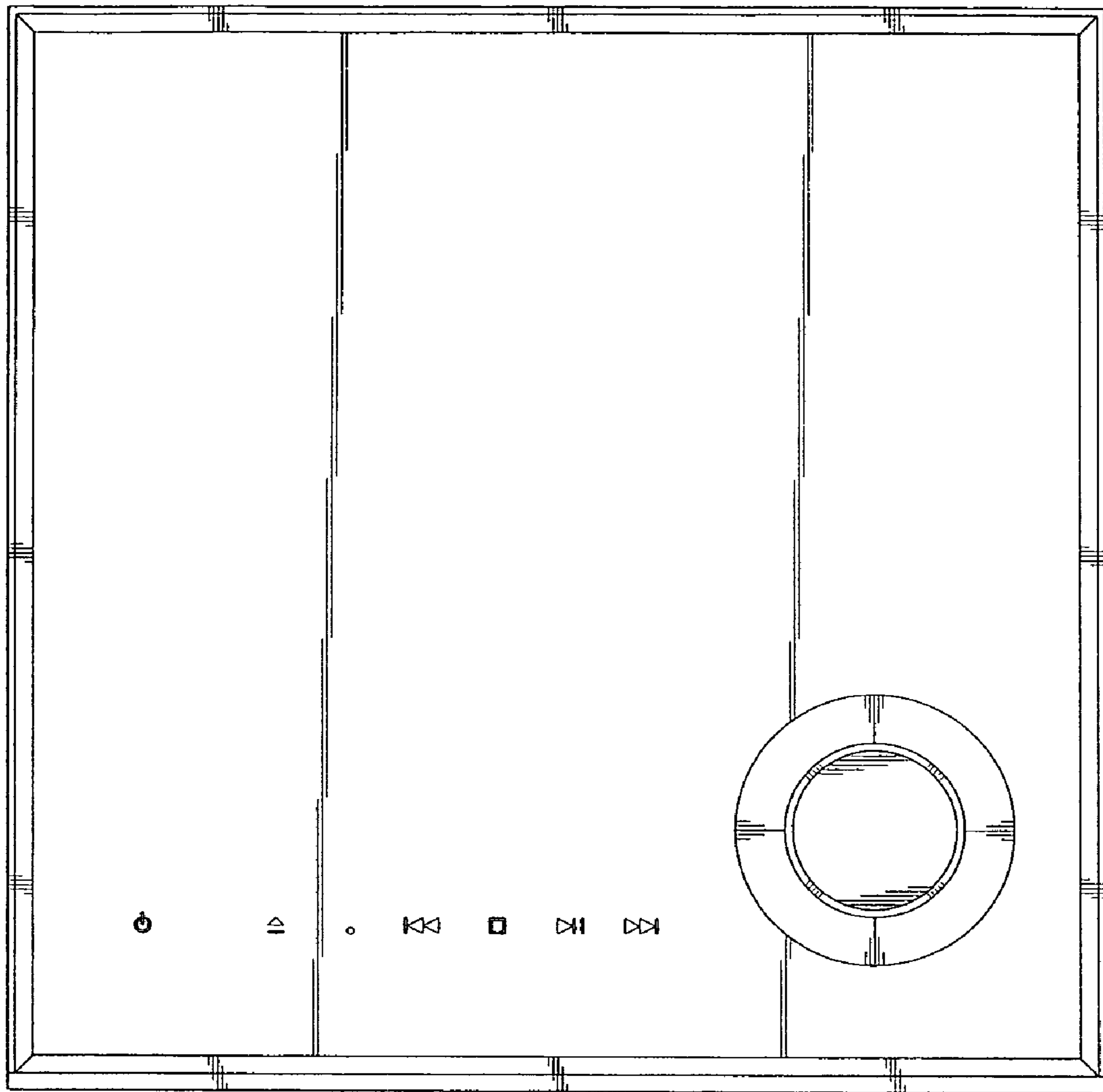


FIG. 6

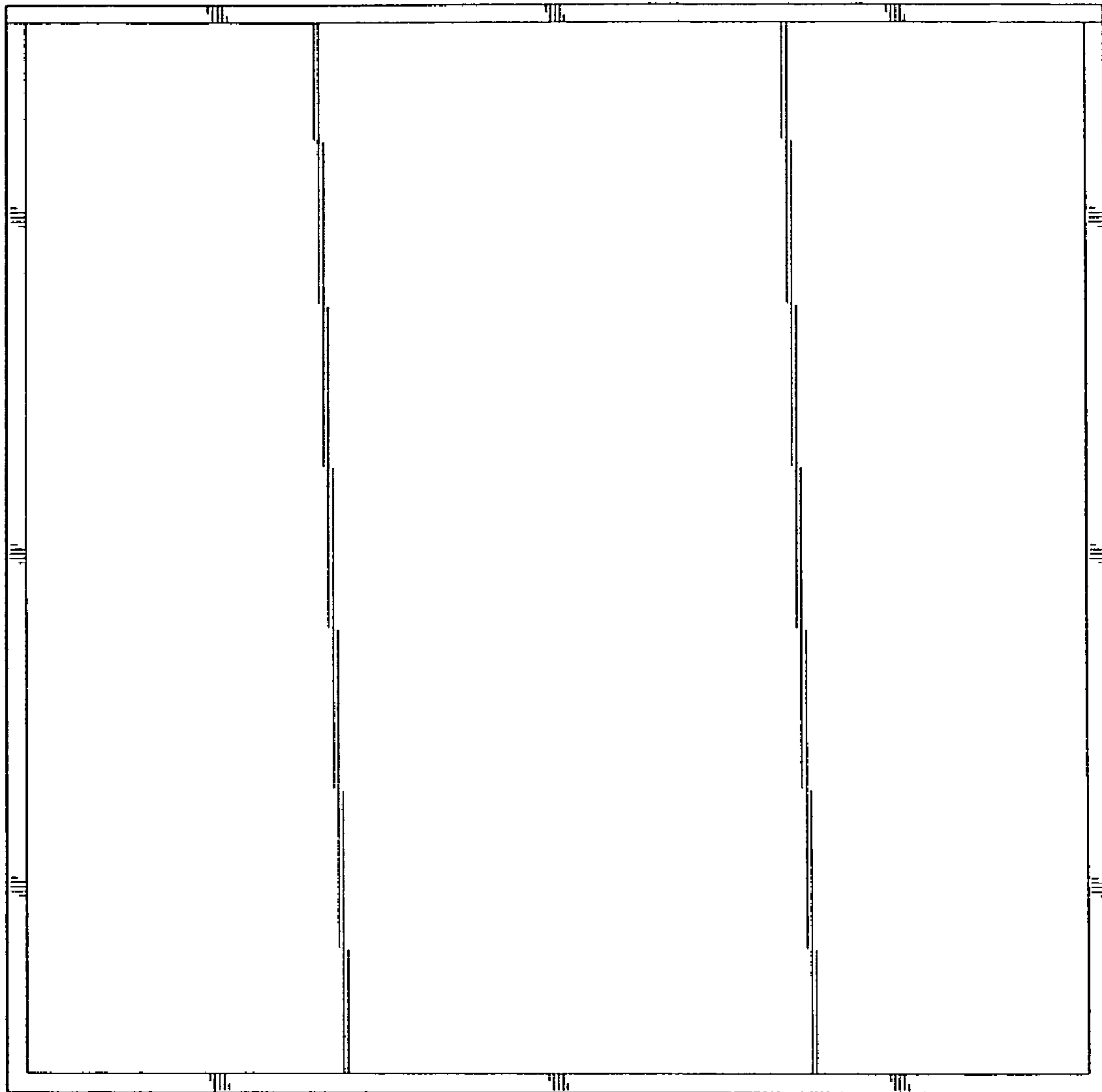


FIG. 7