



US00D613310S

(12) **United States Design Patent**
Kim

(10) **Patent No.:** **US D613,310 S**
(45) **Date of Patent:** **** Apr. 6, 2010**

(54) **MINIAUDIO**

(75) Inventor: **Jin-Wook Kim**, Kyungsangbuk-do (KR)

(73) Assignee: **Samsung Electronics Co., Ltd.**, Suwon, Kyunggi-do (KR)

(**) Term: **14 Years**

(21) Appl. No.: **29/315,569**

(22) Filed: **Jul. 6, 2009**

(51) **LOC (9) Cl.** **14-01**

(52) **U.S. Cl.** **D14/502**

(58) **Field of Classification Search** D14/496,
D14/498-505, 511, 157, 167-168, 188, 197-198,
D14/257-258; 360/99.02, 99.07; 369/75.11,
369/75.21, 77.11, 77.21; 720/601, 612, 619,
720/649, 655; 455/344, 347-351

See application file for complete search history.

(56) **References Cited**

U.S. PATENT DOCUMENTS

D513,617 S *	1/2006	Tierney	D14/496
D520,975 S *	5/2006	Kim et al.	D14/502
D521,475 S *	5/2006	Dai et al.	D14/505
D527,362 S *	8/2006	Inoue	D14/506
D537,425 S *	2/2007	Park	D14/502
D560,686 S	1/2008	Kim		

D561,161 S	2/2008	Cho	
D561,782 S *	2/2008	Kim D14/496
D592,179 S	5/2009	Ichinose et al.	

OTHER PUBLICATIONS

U.S. Appl. No. 29/315 570, Applicant: Jin-Wook Kim, filed Jul. 6, 2009 entitled Mini Audio.

* cited by examiner

Primary Examiner—Nanda Bondade

(74) *Attorney, Agent, or Firm*—Flynn, Thiel, Boutell & Tanis, P.C.

(57) **CLAIM**

The ornamental design for a mini audio, as shown and described.

DESCRIPTION

FIG. 1 is a top front perspective view of a mini audio showing my new design;

FIG. 2 is a front elevational view thereof;

FIG. 3 is a rear elevational view thereof;

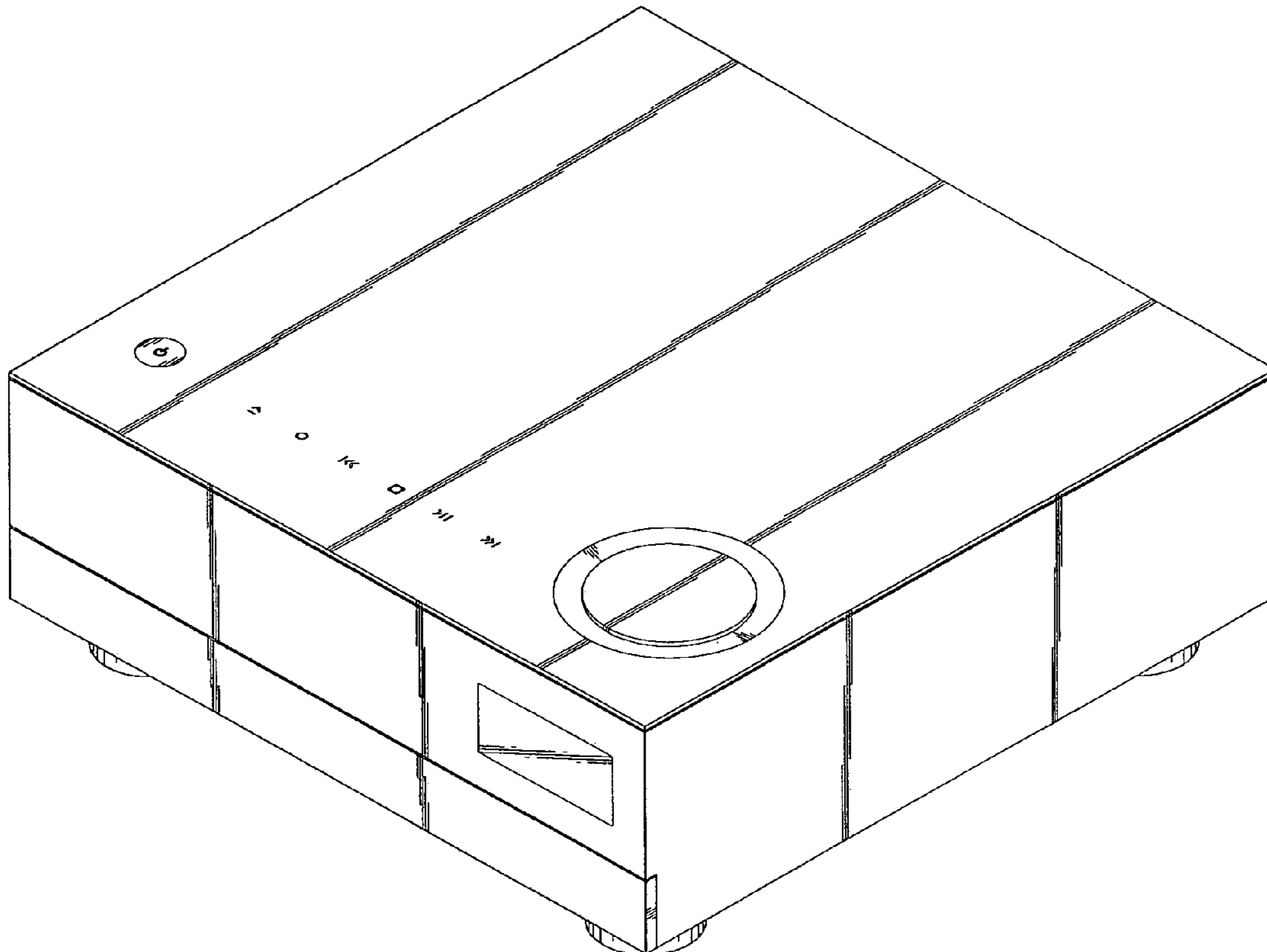
FIG. 4 is a left side elevational view thereof;

FIG. 5 is a right side elevational view thereof;

FIG. 6 is a top plan view thereof; and,

FIG. 7 is a bottom plan view thereof.

1 Claim, 5 Drawing Sheets



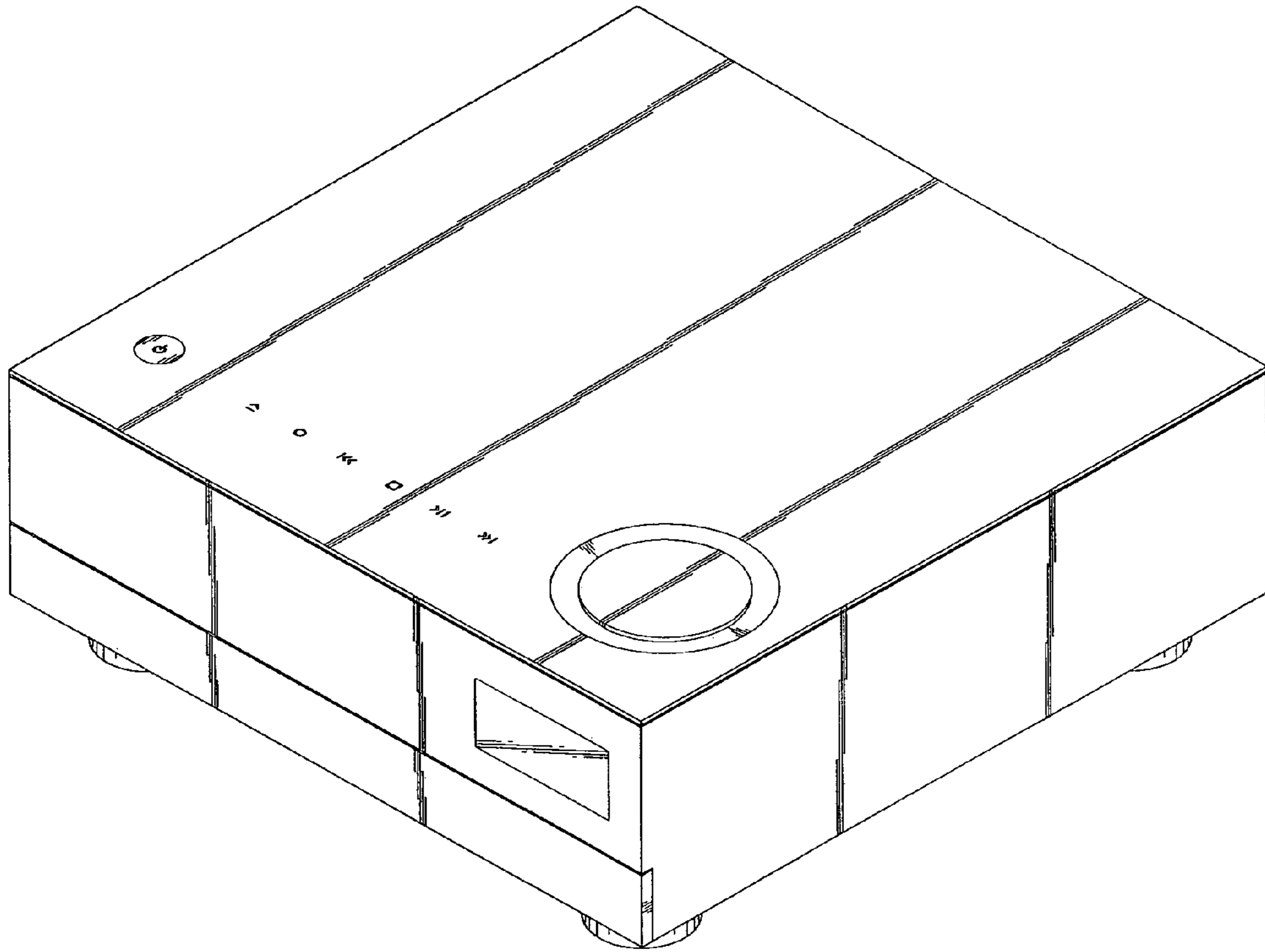


FIG. 1

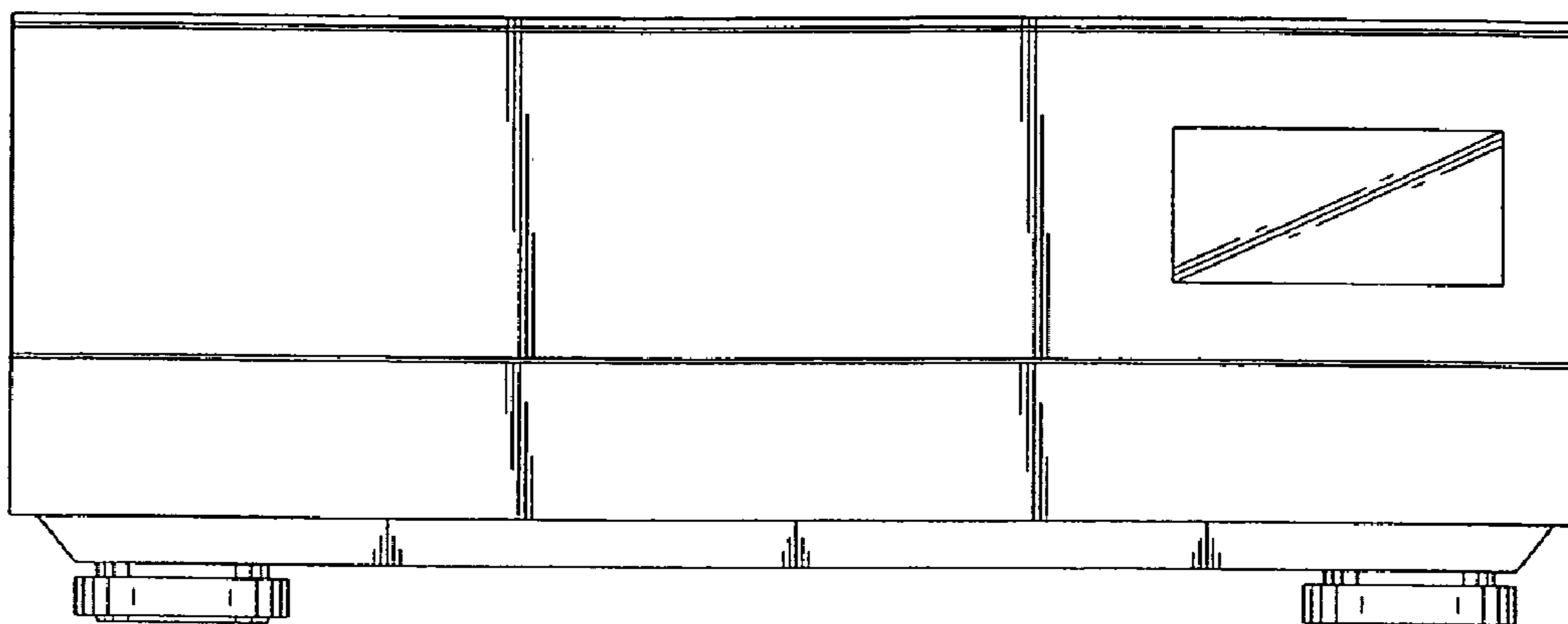


FIG. 2

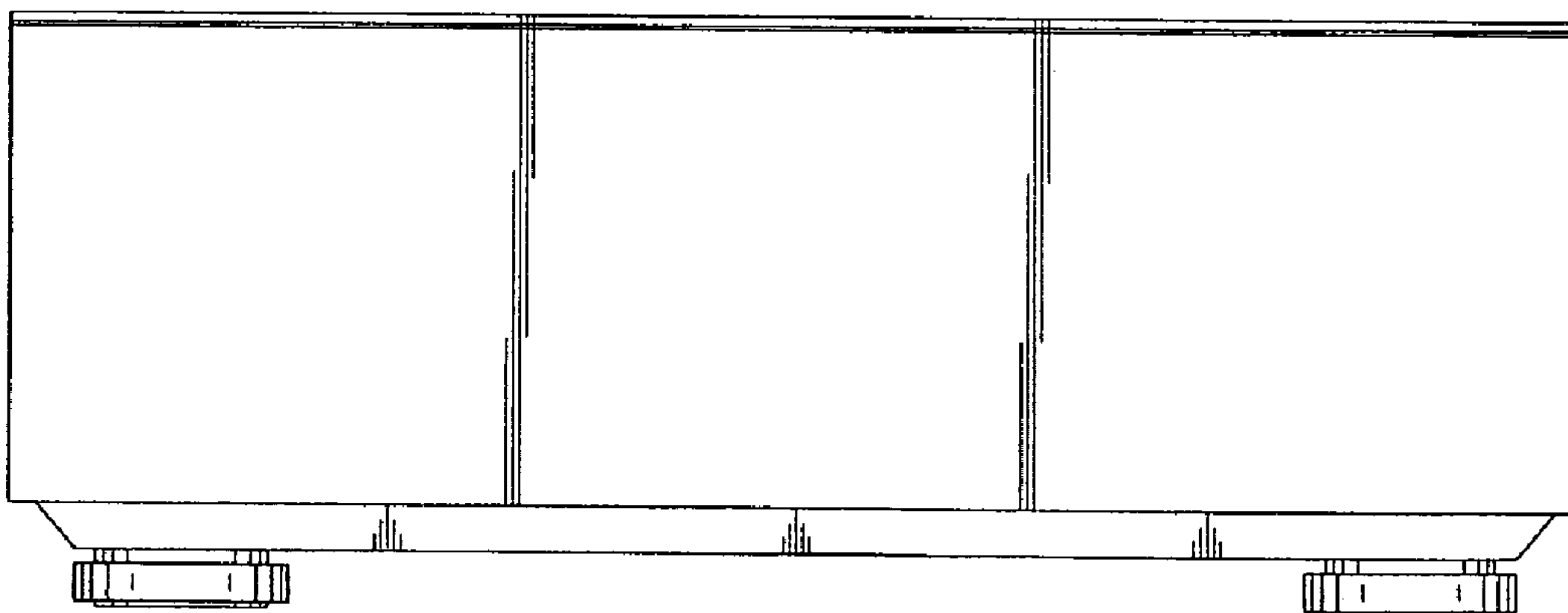


FIG. 3

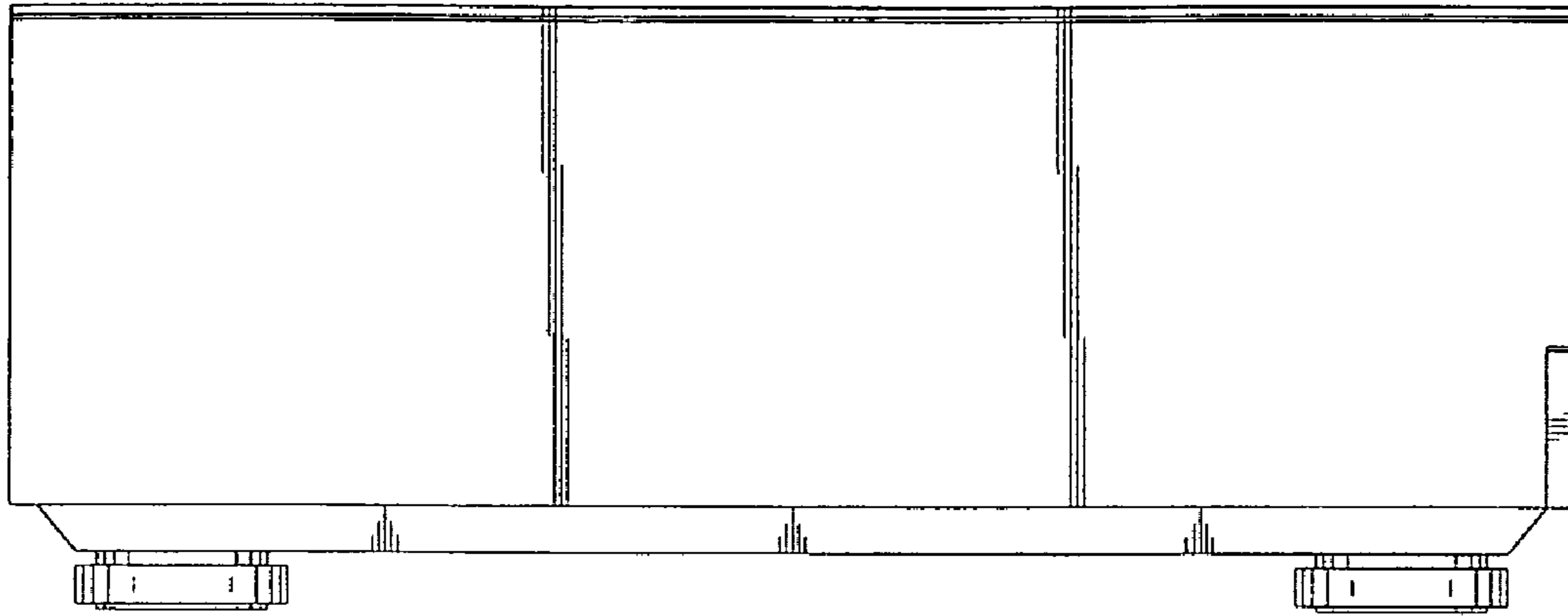


FIG. 4

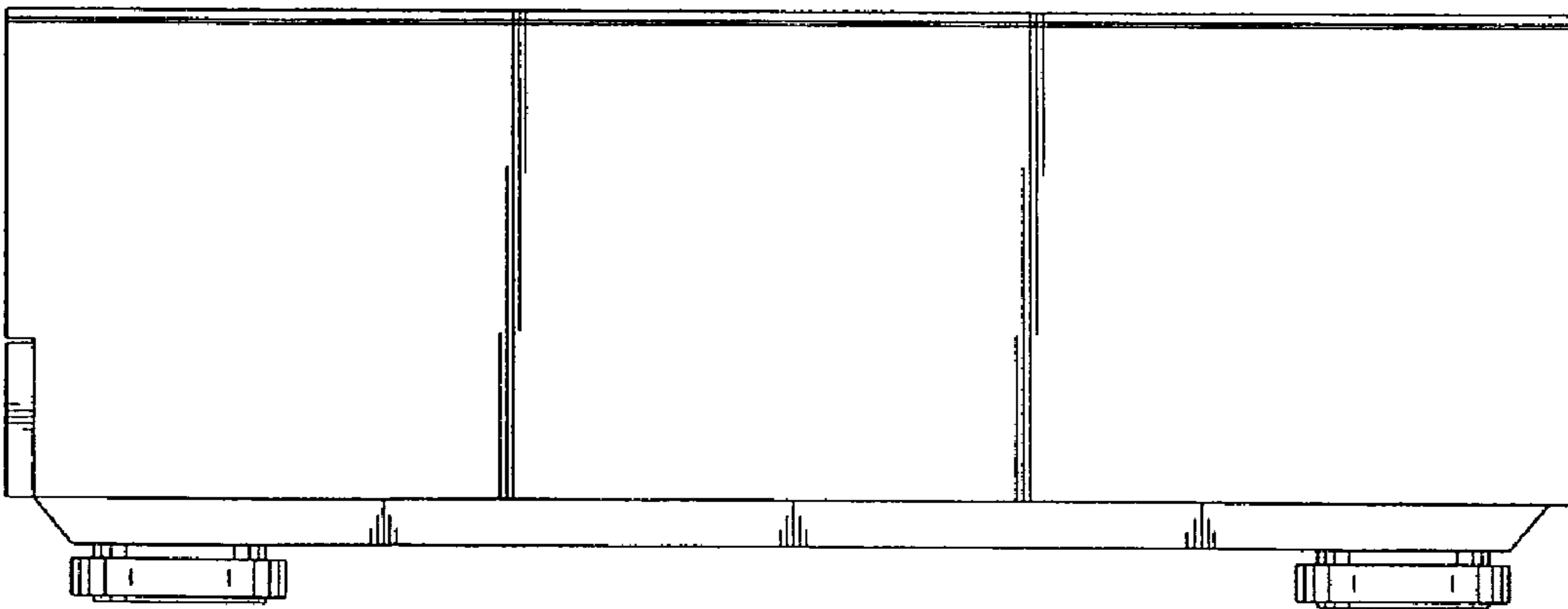


FIG. 5

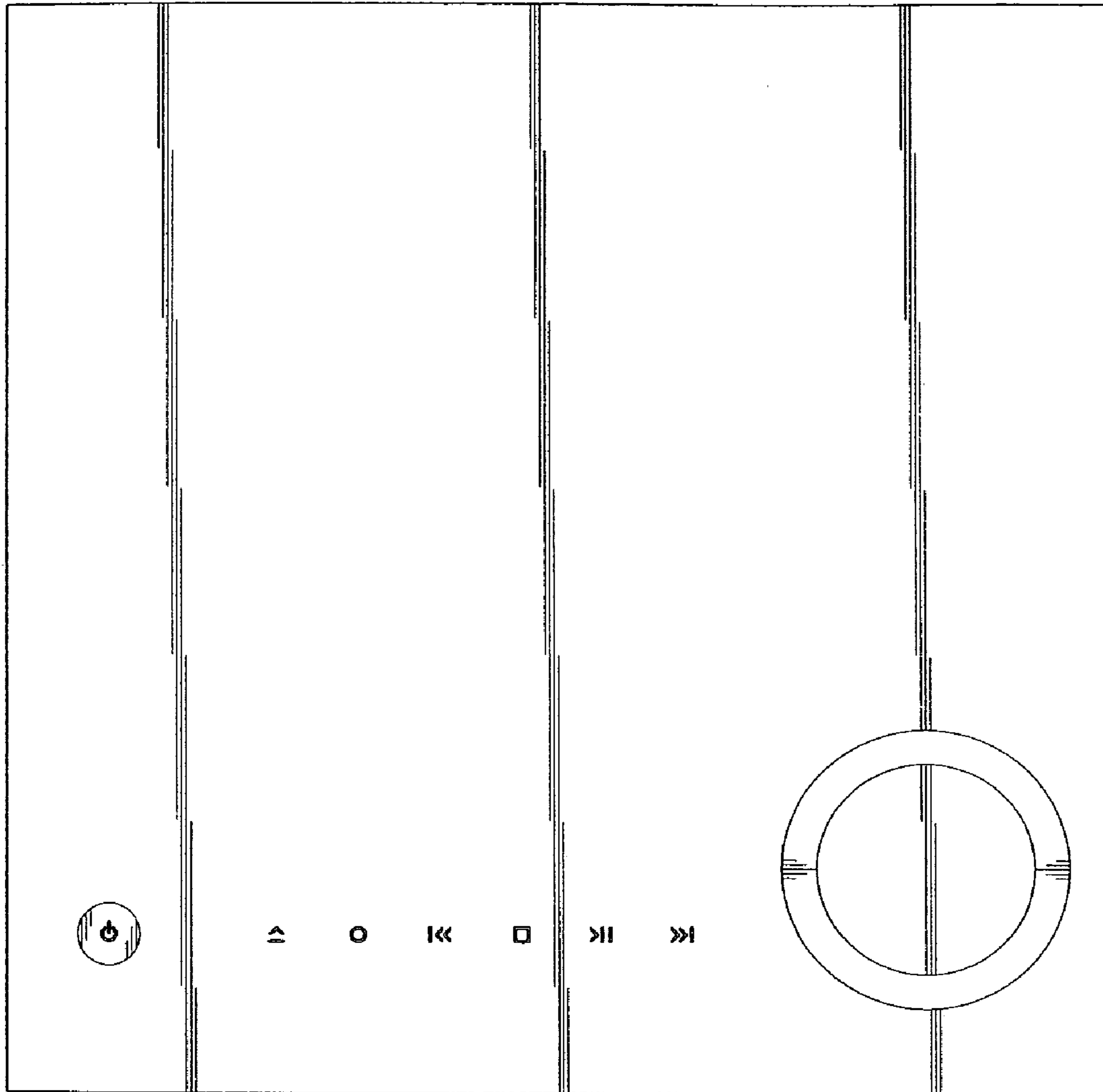


FIG. 6

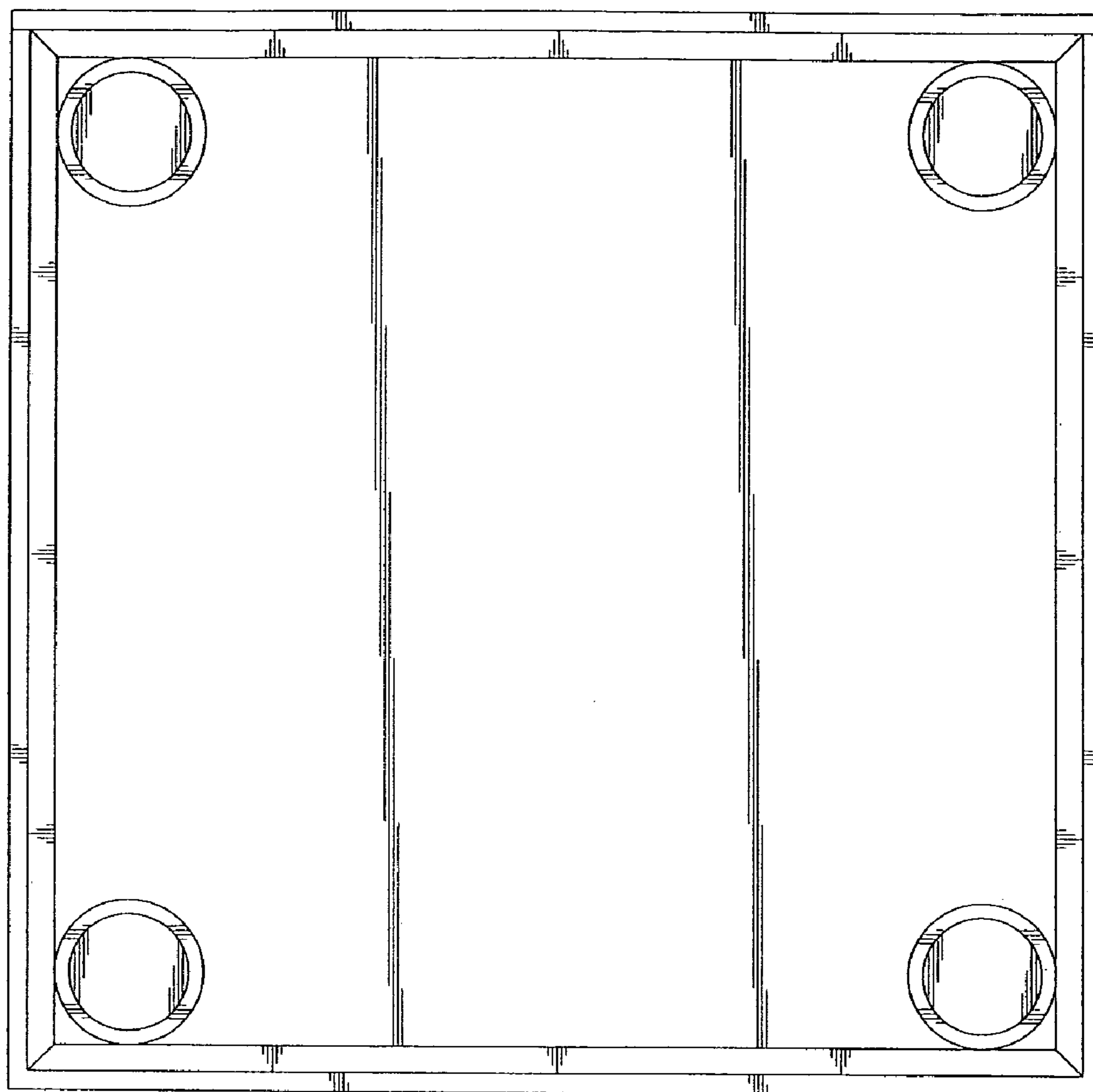


FIG. 7