



US00D613309S

(12) **United States Design Patent**
Cho et al.

(10) **Patent No.:** **US D613,309 S**
(45) **Date of Patent:** **** Apr. 6, 2010**

(54) **BLU-RAY DISK PLAYER**

(75) Inventors: **Ju-Won Cho**, Seoul (KR); **Yeon-Moo Chung**, Seoul (KR)

(73) Assignee: **Samsung Electronics Co., Ltd.**,
Kyunggi-do (KR)

(**) Term: **14 Years**

(21) Appl. No.: **29/315,474**

(22) Filed: **Jun. 29, 2009**

(30) **Foreign Application Priority Data**

Apr. 6, 2009 (KR) 30-2009-0014207

(51) **LOC (9) Cl.** **14-01**

(52) **U.S. Cl.** **D14/502**

(58) **Field of Classification Search** D14/496,
D14/498-505, 511, 167-168, 188, 197-198,
D14/157, 257-258; 360/99.02, 99.07; 369/75.11,
369/75.21, 77.11, 77.21; 720/601, 612, 619,
720/649, 655; 455/344, 347-351
See application file for complete search history.

(56) **References Cited**

U.S. PATENT DOCUMENTS

- D472,534 S * 4/2003 Ueno et al. D14/505
- D519,960 S 5/2006 Kwon et al.
- D519,962 S 5/2006 Kim et al.
- D519,963 S 5/2006 Lim et al.
- D520,478 S 5/2006 Kwon et al.
- D520,479 S 5/2006 Kwon et al.
- D520,480 S 5/2006 Kwon et al.
- D520,481 S 5/2006 Lim et al.
- D520,973 S 5/2006 Kwon et al.
- D520,974 S 5/2006 Lim
- D520,975 S 5/2006 Kim et al.
- D521,475 S * 5/2006 Dai et al. D14/505
- D521,965 S 5/2006 Ko et al.
- D521,966 S 5/2006 Kim et al.
- D521,967 S 5/2006 Lim
- D522,986 S 6/2006 Kwon et al.
- D523,832 S 6/2006 Kwon et al.

- D525,958 S 8/2006 Kwon et al.
- D526,294 S 8/2006 Kwon et al.
- D526,979 S 8/2006 Lim
- D526,980 S 8/2006 Kwon et al.
- D526,981 S 8/2006 Kim et al.
- D528,525 S 9/2006 Cho et al.
- D529,464 S 10/2006 Lim et al.
- D529,885 S 10/2006 Park et al.
- D530,692 S 10/2006 Lim et al.
- D530,693 S 10/2006 Park et al.
- D530,694 S 10/2006 Park
- D530,695 S 10/2006 Park
- D531,153 S 10/2006 Lim et al.

(Continued)

OTHER PUBLICATIONS

U.S. Appl. No. 29/313,859, Applicant: Ju-Won Cho, et al., filed Feb. 17, 2009 entitled Blu-Ray Disk Player.

(Continued)

Primary Examiner—Nanda Bondade
(74) *Attorney, Agent, or Firm*—Flynn, Thiel, Boutell & Tanis, P.C.

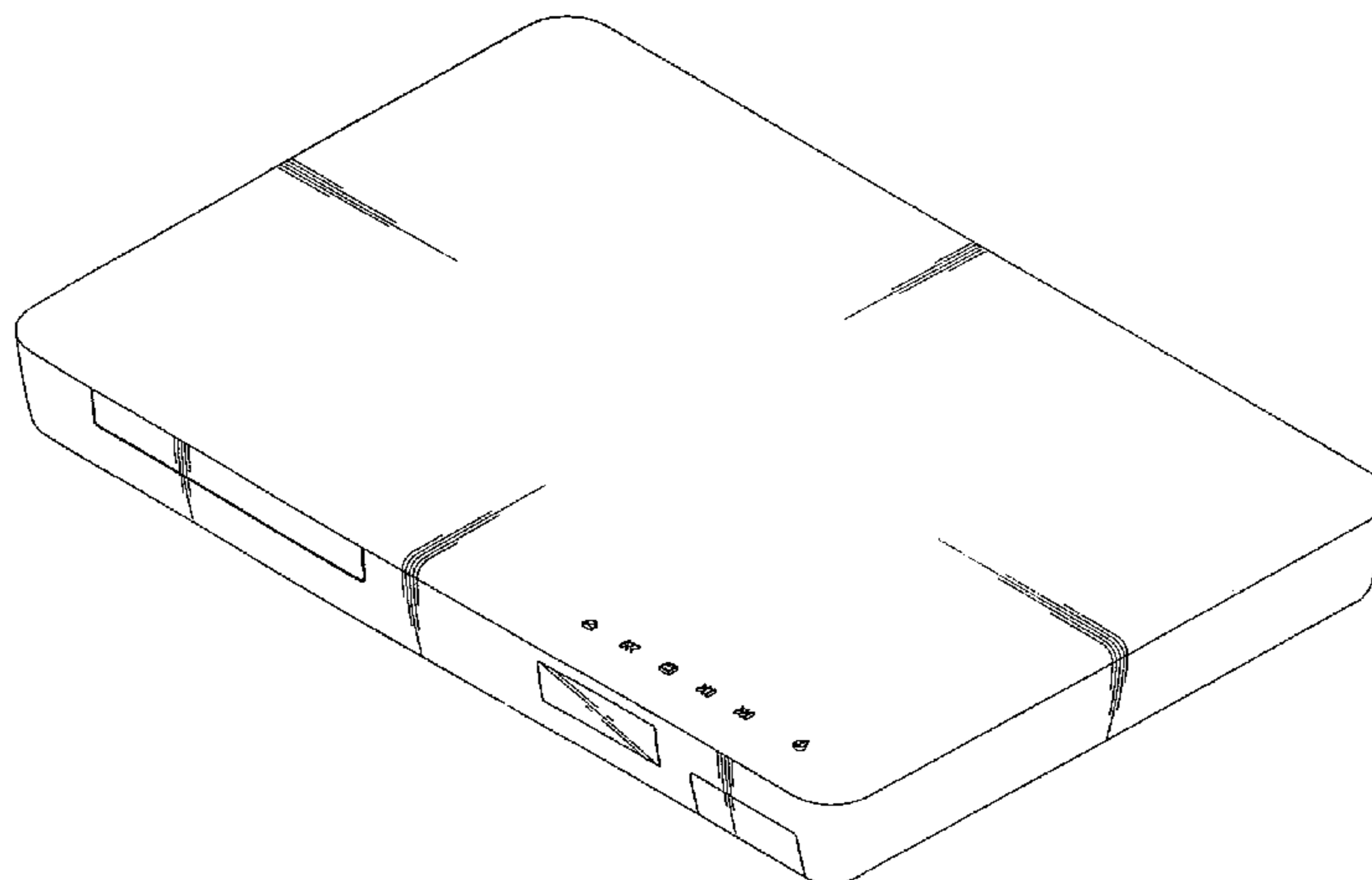
(57) **CLAIM**

The ornamental design for a Blu-ray disk player, as shown and described.

DESCRIPTION

FIG. 1 is a top front perspective view of a Blu-ray disk player showing our new design;
FIG. 2 is, a front elevational view thereof;
FIG. 3 is a rear elevational view thereof;
FIG. 4 is a left side elevational view thereof;
FIG. 5 is a right side elevational view thereof;
FIG. 6 is a top plan view thereof; and,
FIG. 7 is a bottom plan view thereof.

1 Claim, 4 Drawing Sheets



US D613,309 S

Page 2

U.S. PATENT DOCUMENTS

D533,159 S 12/2006 Kim et al.
D536,682 S 2/2007 Lim et al.
D536,683 S 2/2007 Lim et al.
D537,425 S 2/2007 Park
D538,768 S 3/2007 Lim et al.
D539,250 S 3/2007 Park
D539,770 S 4/2007 Park
D539,771 S 4/2007 Park
D540,286 S 4/2007 Lim
D551,198 S 9/2007 Kim
D552,053 S 10/2007 Kim
D553,109 S 10/2007 Kim et al.
D560,179 S 1/2008 Cho et al.
D560,180 S 1/2008 Park et al.
D560,181 S 1/2008 Park
D560,182 S 1/2008 Park
D560,627 S 1/2008 Park et al.
D561,141 S 2/2008 Cho et al.

D567,203 S 4/2008 Park
D567,204 S 4/2008 Park
D576,581 S 9/2008 Son et al.
D578,091 S 10/2008 Cho et al.
D587,281 S 2/2009 Kim et al.
D587,282 S 2/2009 Kim et al.
D595,736 S 7/2009 Son et al.
D596,197 S 7/2009 Cho et al.

OTHER PUBLICATIONS

U.S. Appl. No. 29/313,860, Applicant: Ju-Won Cho, et al., filed Feb. 17, 2009 entitled Blu-Ray Disk Player.
U.S. Appl. No. 29/315,469, Applicant: Ju-Won Cho, et al., filed Jun. 29, 2009 entitled Blu-Ray Disk Player.
U.S. Appl. No. 29/315,473, Applicant: Yeon-Moo Chung, et al., filed Jun. 29, 2009 entitled Blu-Ray Disk Player.
U.S. Appl. No. 29/315,476, Applicant: Ju-Won Cho, et al., filed Jun. 29, 2009 entitled Blu-Ray Disk Player.

* cited by examiner

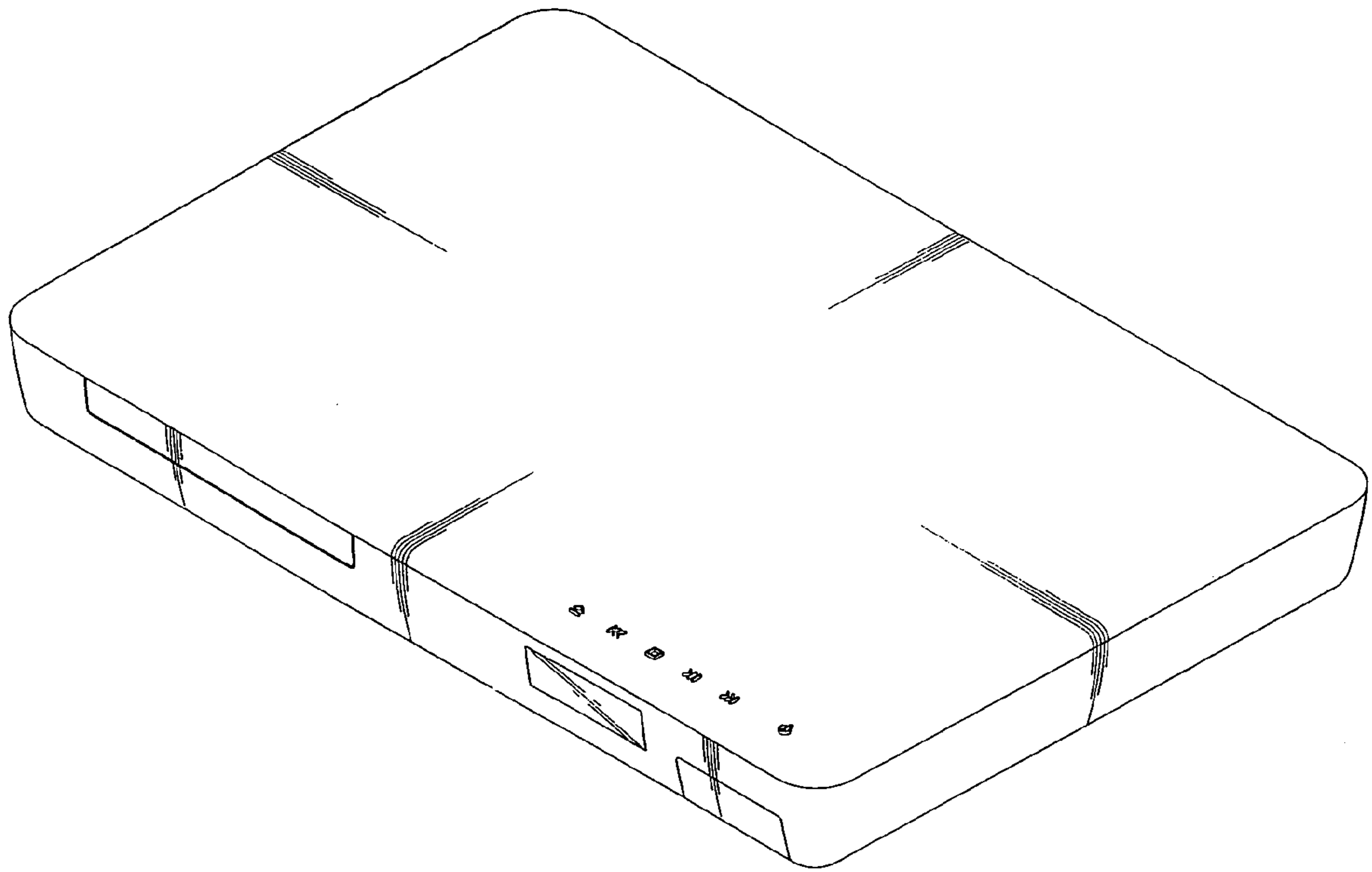


FIG. 1

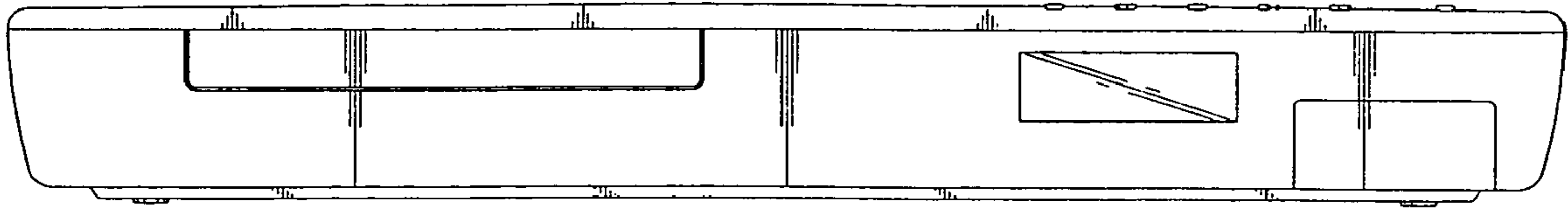


FIG. 2

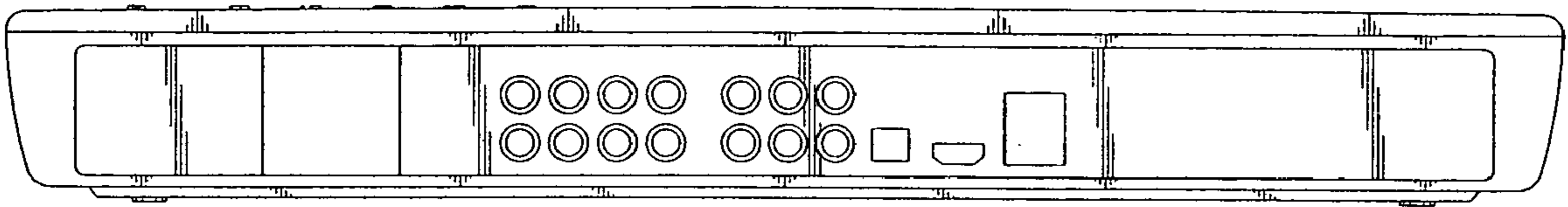


FIG. 3

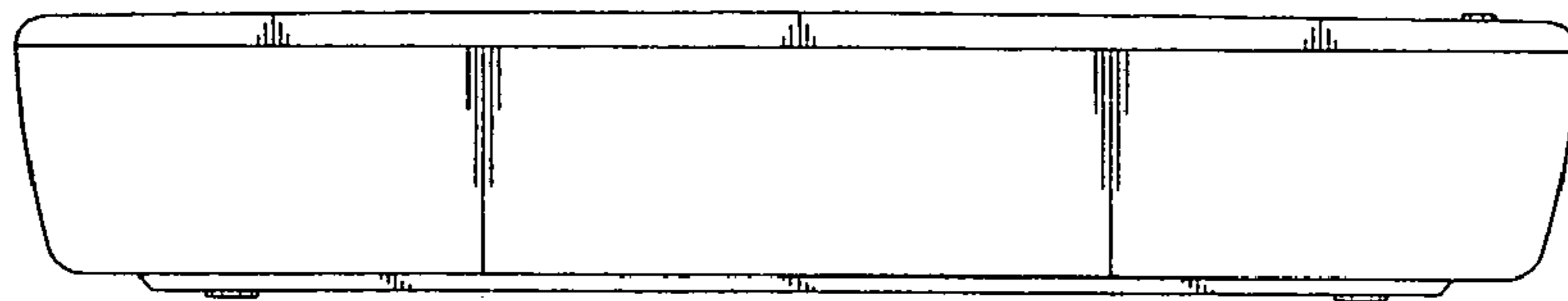


FIG. 4

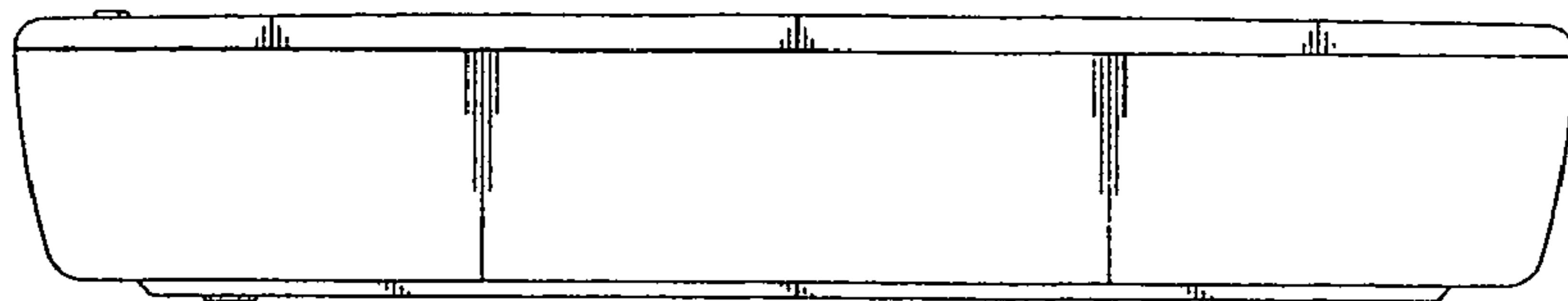


FIG. 5

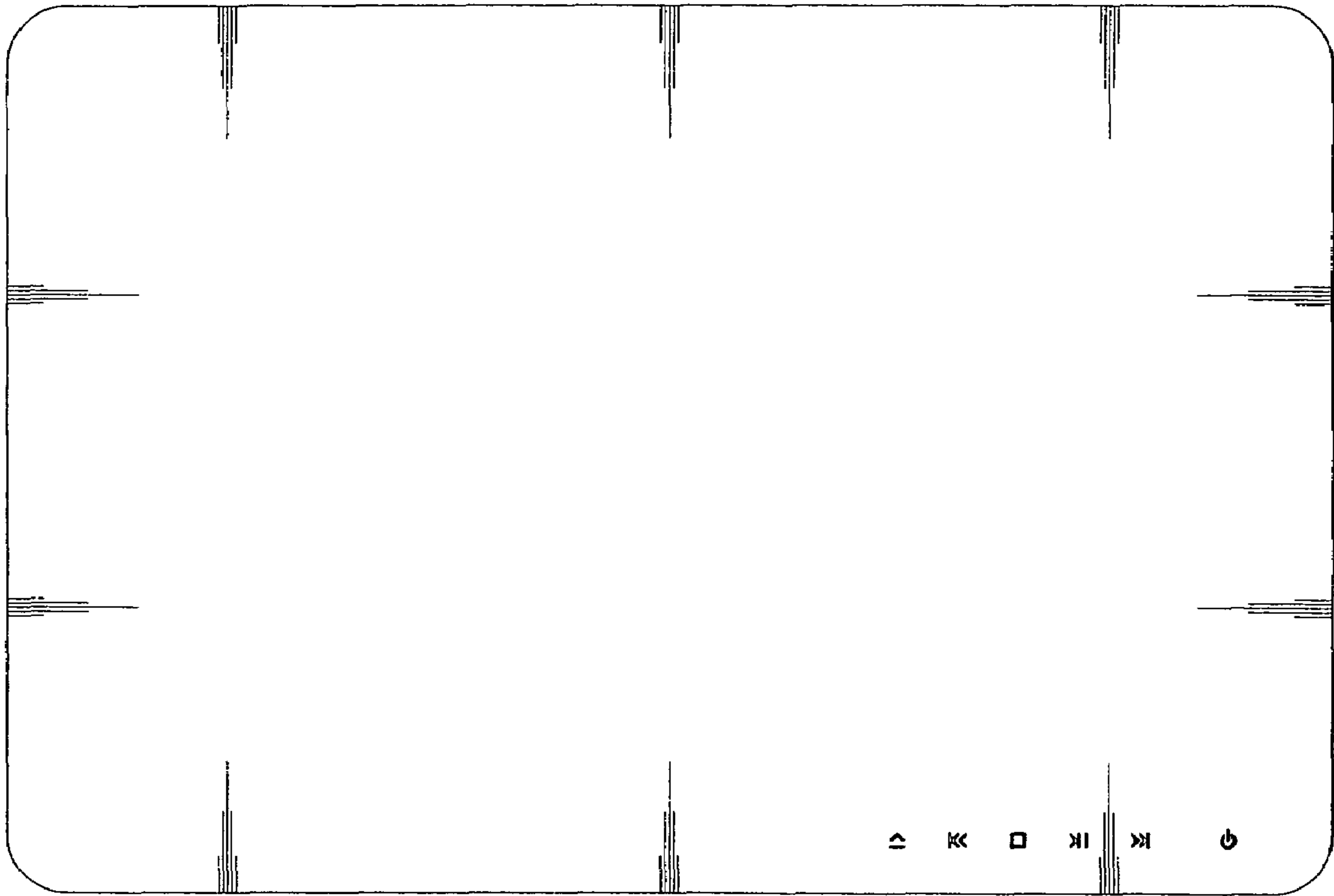


FIG. 6

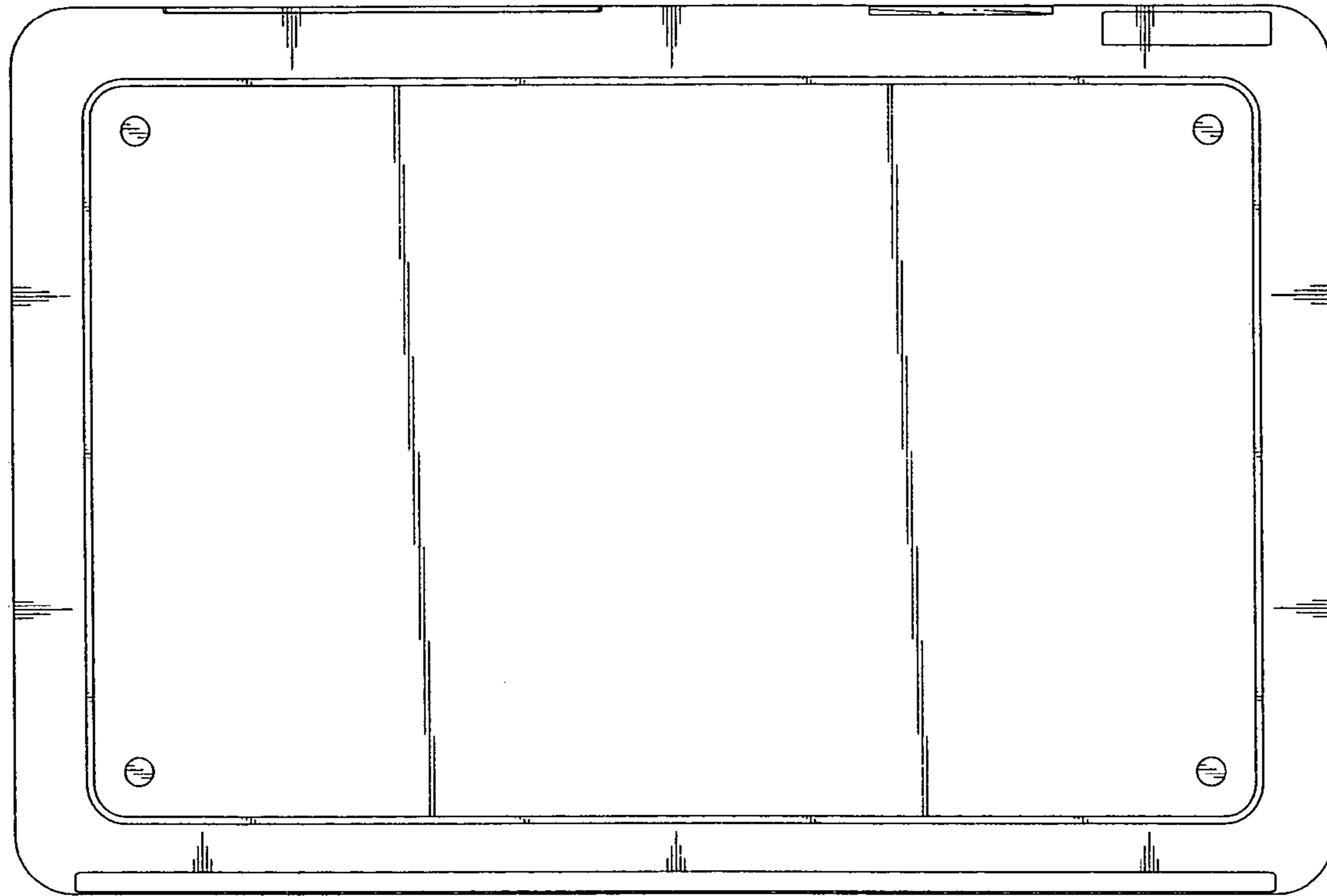


FIG. 7