



US00D613297S

(12) **United States Design Patent**
Wang et al.

(10) **Patent No.:** **US D613,297 S**
(45) **Date of Patent:** **** Apr. 6, 2010**

(54) **KEYBOARD FOR COMPUTER**

(75) Inventors: **Wei-Jun Wang**, Shenzhen (CN);
Hsiu-Lung Chang, Taipei Hsien (TW)

(73) Assignee: **Hon Hai Precision Industry Co., Ltd.**,
Tu-Cheng, Taipei Hsien (TW)

(**) Term: **14 Years**

(21) Appl. No.: **29/325,993**

(22) Filed: **Oct. 9, 2008**

(30) **Foreign Application Priority Data**

Aug. 15, 2008 (CN) 2008 3 0301188

(51) **LOC (9) Cl.** **14-02**

(52) **U.S. Cl.** **D14/455**

(58) **Field of Classification Search** D14/454,
D14/455, 456, 315, 320, 331, 333, 334, 338,
D14/339, 341, 342, 343, 344, 345, 346, 347,
D14/387, 390, 391, 392, 393, 394, 395, 396,
D14/397, 398, 399, 400, 401, 406, 429, 432,
D14/439, 457, 460, 461, 247, 150, 218, 900,
D14/901, 902, 137, 138 R, 138 AA, 138 AB,
D14/138 AC, 138 AD, 138 C, 138 G; D21/333,
D21/329, 331; D18/1, 2, 7, 52, 25, 29; D13/138,
D13/171; 400/88, 109, 110, 111, 484, 485,
400/486, 487, 488, 490, 492, 493, 494, 496,
400/904; 345/168, 169, 170, 171; 455/556.1,
455/556.2

See application file for complete search history.

(56) **References Cited**

U.S. PATENT DOCUMENTS

4,597,681 A * 7/1986 Hodges 400/488
D335,660 S * 5/1993 Busch D14/392

D409,175 S * 5/1999 Renk D14/392
D440,969 S * 4/2001 Tsai D14/392
D491,562 S * 6/2004 Chou D14/396
D510,578 S * 10/2005 Ohta D14/398
D522,513 S * 6/2006 Lo D14/391
D536,338 S * 2/2007 Skinner et al. D14/391
D540,335 S * 4/2007 Downs et al. D14/455
D540,808 S * 4/2007 Sitalasai et al. D14/455
D598,442 S * 8/2009 Wang D14/327
2008/0024327 A1 * 1/2008 Downs et al. 341/22
2008/0138136 A1 * 6/2008 Sauvage et al. 400/488

* cited by examiner

Primary Examiner—Jennifer Rivard

Assistant Examiner—Angela J Lee

(74) *Attorney, Agent, or Firm*—Zhigang Ma

(57) **CLAIM**

The ornamental design for a keyboard for computer, as shown and described.

DESCRIPTION

FIG. 1 is a perspective view of a keyboard for computer showing my design;

FIG. 2 is a front elevational view thereof;

FIG. 3 is a rear elevational view thereof;

FIG. 4 is a left-side elevational view thereof;

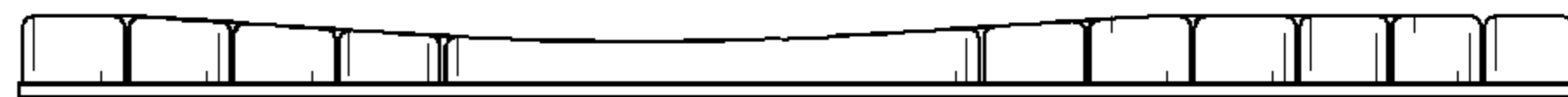
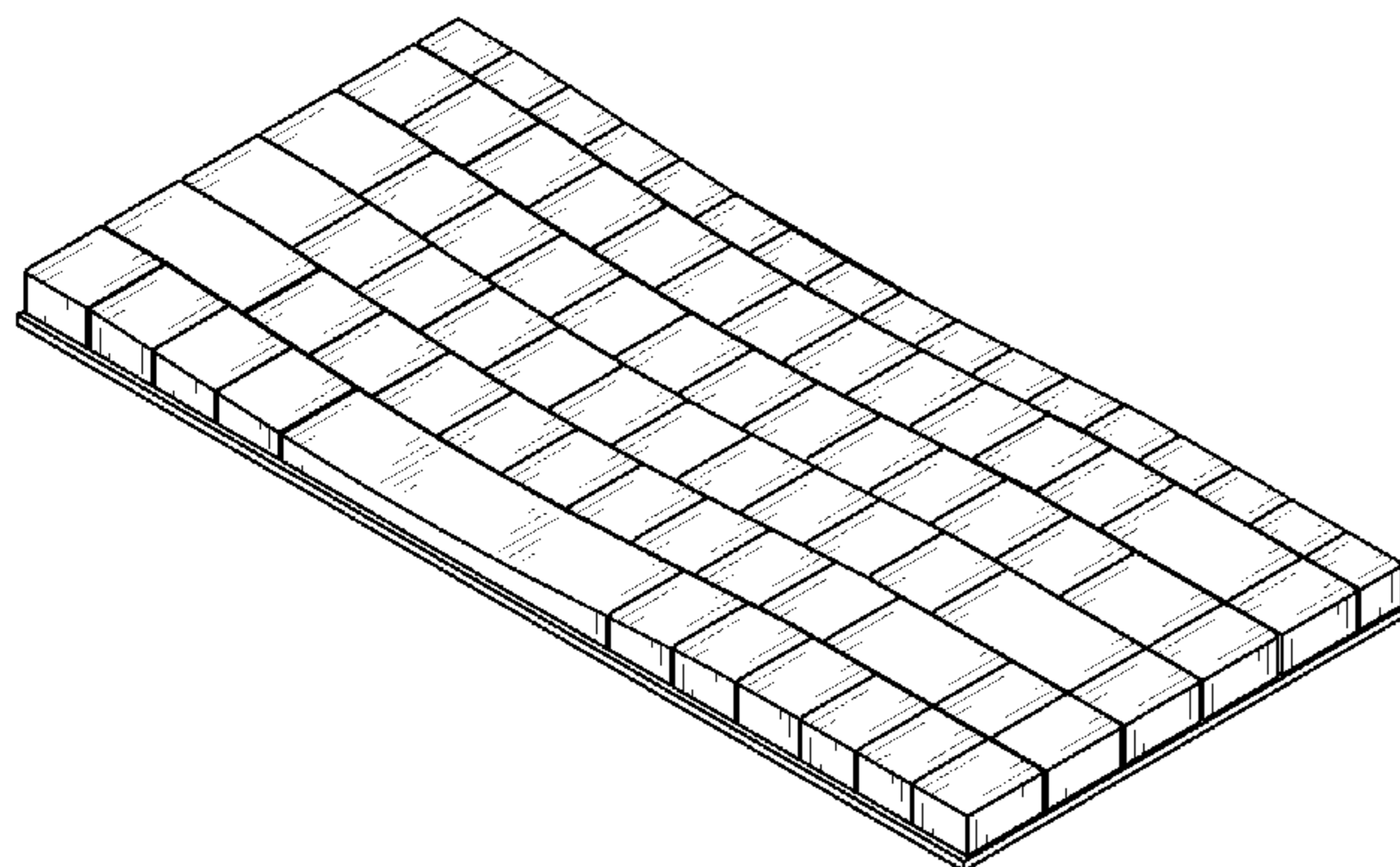
FIG. 5 is a right-side elevational view thereof;

FIG. 6 is a top plan view thereof; and,

FIG. 7 is a perspective view of the keyboard being applied to a computer.

The broken lines in FIG. 7 are included for the purposes of illustrating environment only and form no part of the claimed design.

1 Claim, 7 Drawing Sheets



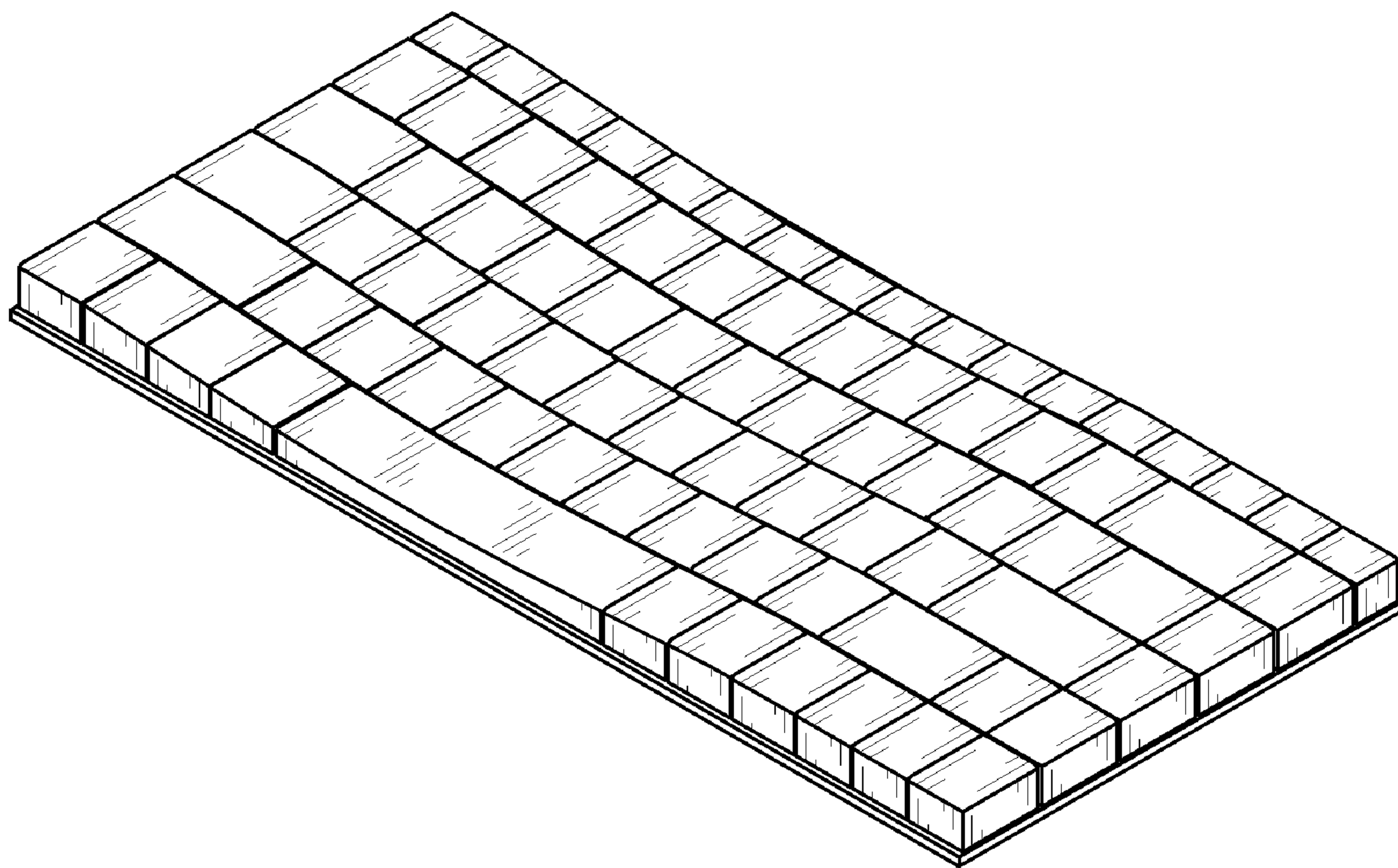


FIG. 1

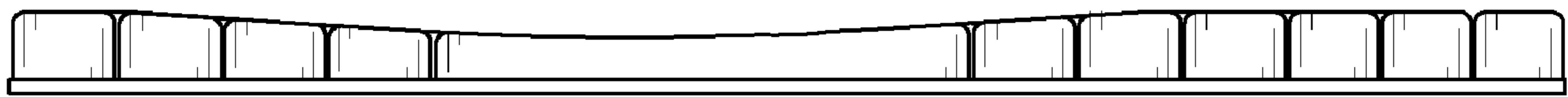


FIG. 2



FIG. 3

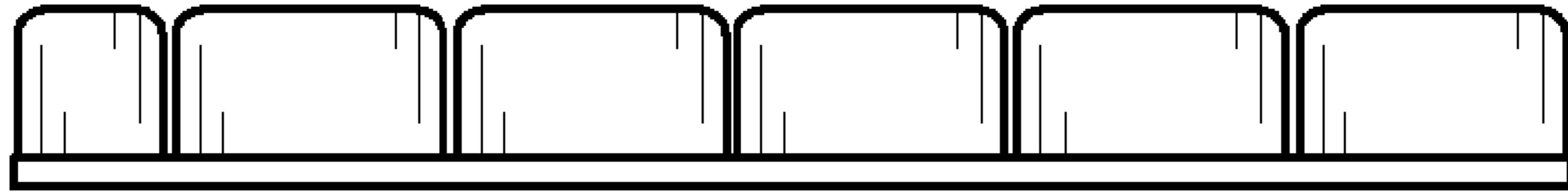


FIG. 4

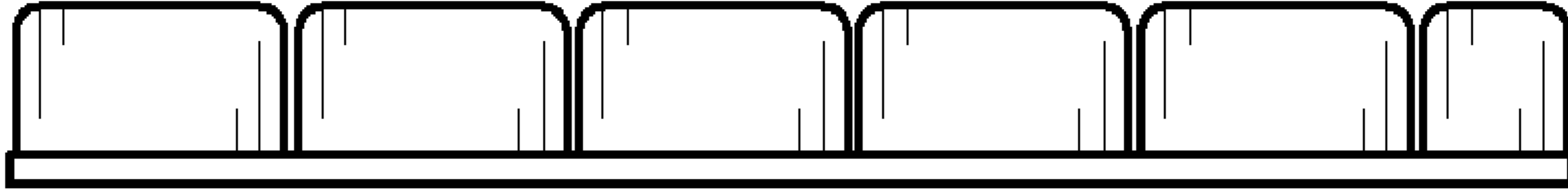


FIG. 5

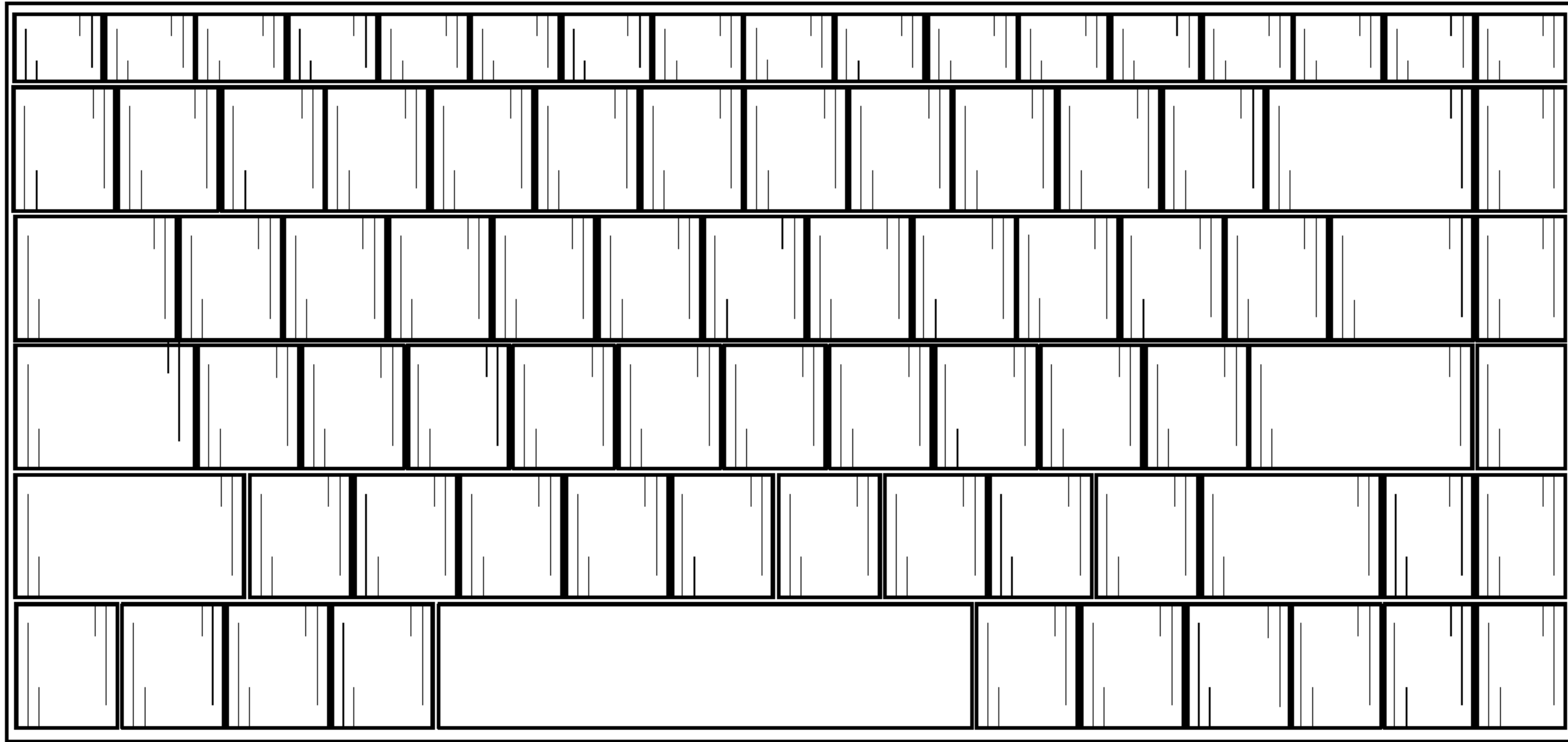


FIG. 6

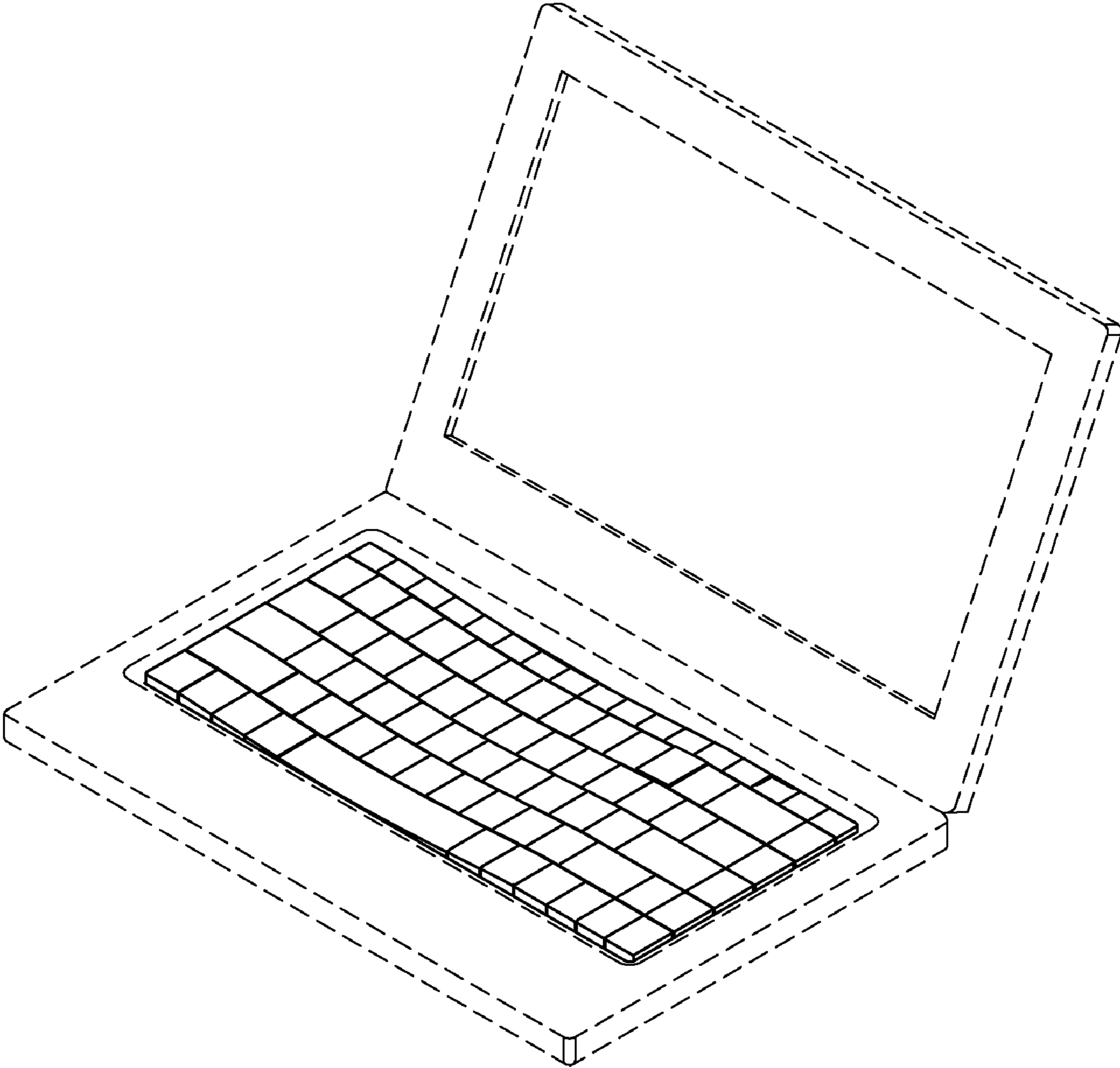


FIG. 7