



US00D613295S

(12) **United States Design Patent**
Fletcher

(10) **Patent No.:** **US D613,295 S**
(45) **Date of Patent:** **** Apr. 6, 2010**

- (54) **BOOM**
 - (75) Inventor: **Mark Andrew Fletcher**, Nepean (CA)
 - (73) Assignee: **SMART Technologies ULC** (CA)
 - (**) Term: **14 Years**
 - (21) Appl. No.: **29/326,542**
 - (22) Filed: **Oct. 20, 2008**
 - (51) **LOC (9) Cl.** **08-07**
 - (52) **U.S. Cl.** **D14/452**
 - (58) **Field of Classification Search** D14/447,
D14/448, 451, 452, 457, 459, 460, 461, 239,
D14/251, 253, 224.1, 125, 126, 432, 434,
D14/439, 371-382; D8/354, 363, 373, 380;
D19/90, 91; D18/4.4, 4.5, 4.6, 12; D6/300,
D6/310, 312, 313, 314, 449, 512; D13/139.5,
D13/108; D21/333; D10/74; D12/415;
248/917-924, 675, 676, 678, 447, 122.1,
248/176.1, 176.3, 205.5, 205.8, 324; 312/323.3;
379/446, 454, 455; 361/679.02, 679.06,
361/679.07, 679.21, 679.22, 679.24, 679.26,
361/679.3, 679.46, 679.49, 679.55, 679.56,
361/679.58, 679.6, 693, 697, 809, 810, 825,
361/827; D16/242
- See application file for complete search history.

- 4,762,299 A * 8/1988 Langelier 248/220.22
- 4,989,815 A * 2/1991 McAuley 248/224.61
- D344,885 S * 3/1994 Loew D8/373
- D363,927 S * 11/1995 Rosen D14/451
- 5,503,277 A * 4/1996 O'Brien 211/106.01
- 5,647,566 A * 7/1997 Kump 248/220.21
- D420,567 S * 2/2000 Laga et al. D8/373
- D483,469 S * 12/2003 Hsia et al. D23/411
- D533,002 S * 12/2006 Recknagel et al. D6/566
- D539,290 S * 3/2007 Zhu et al. D14/447

* cited by examiner

Primary Examiner—Jennifer Rivard
Assistant Examiner—Angela J Lee
(74) *Attorney, Agent, or Firm*—Katten Muchin Rosenman LLP

(57) **CLAIM**

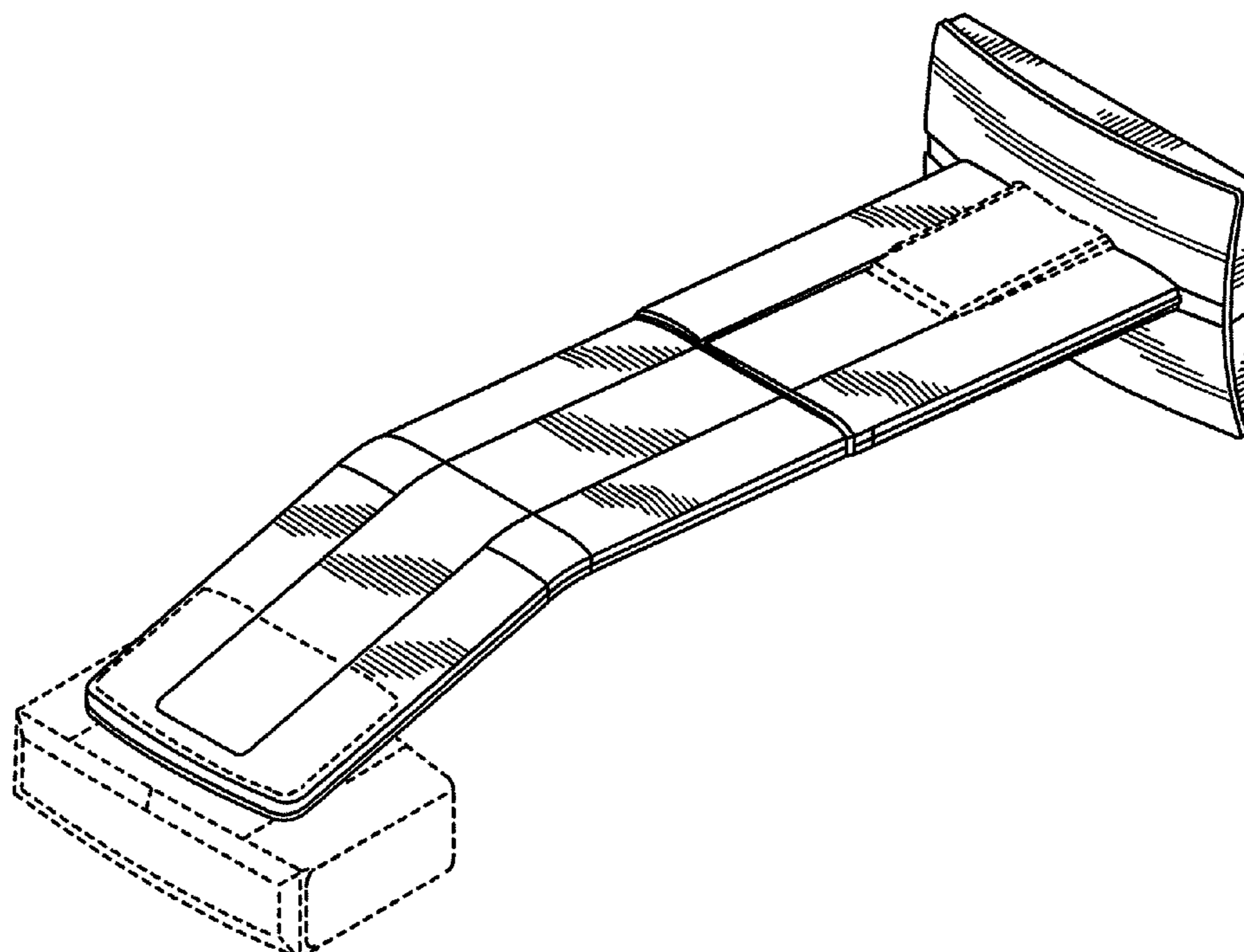
The ornamental design for a boom, as shown and described.

DESCRIPTION

FIG. 1 is a perspective view of the boom showing my new design;
FIG. 2 is a bottom plan view of the boom of FIG. 1;
FIG. 3 is a right side elevational view of the boom of FIG. 1;
FIG. 4 is a front elevational view of the boom of FIG. 1;
FIG. 5 is a left side elevational view of the boom of FIG. 1;
FIG. 6 is a top plan view of the boom of FIG. 1; and,
FIG. 7 is a bottom perspective view of the boom of FIG. 1.
The portions of the boom shown in broken lines form no part of the claimed design.

1 Claim, 7 Drawing Sheets

- (56) **References Cited**
- U.S. PATENT DOCUMENTS
- D201,810 S * 8/1965 Castellano D8/363
- D292,264 S * 10/1987 Staufenberg et al. D8/380
- D294,113 S * 2/1988 Smyth, III D8/373



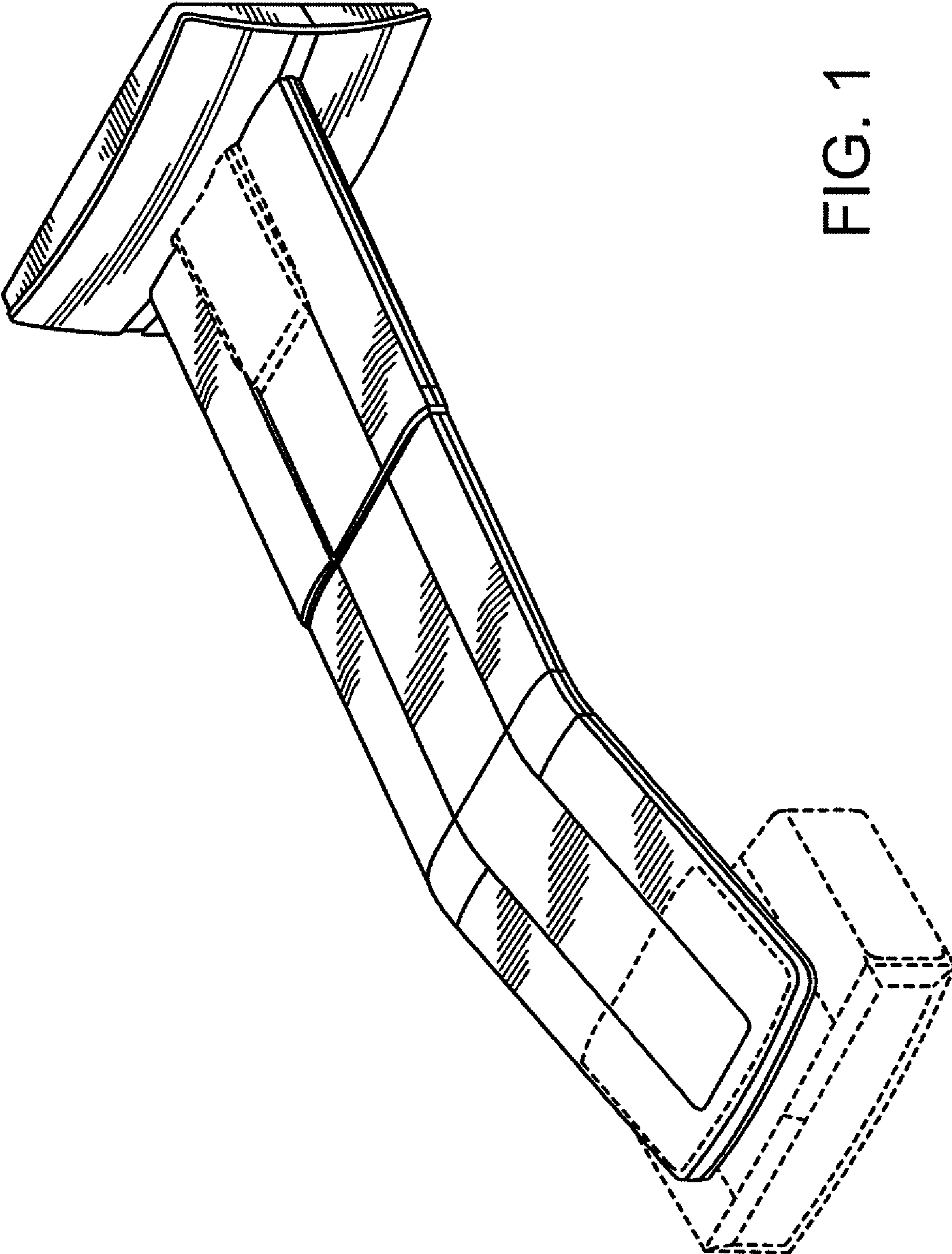


FIG. 1

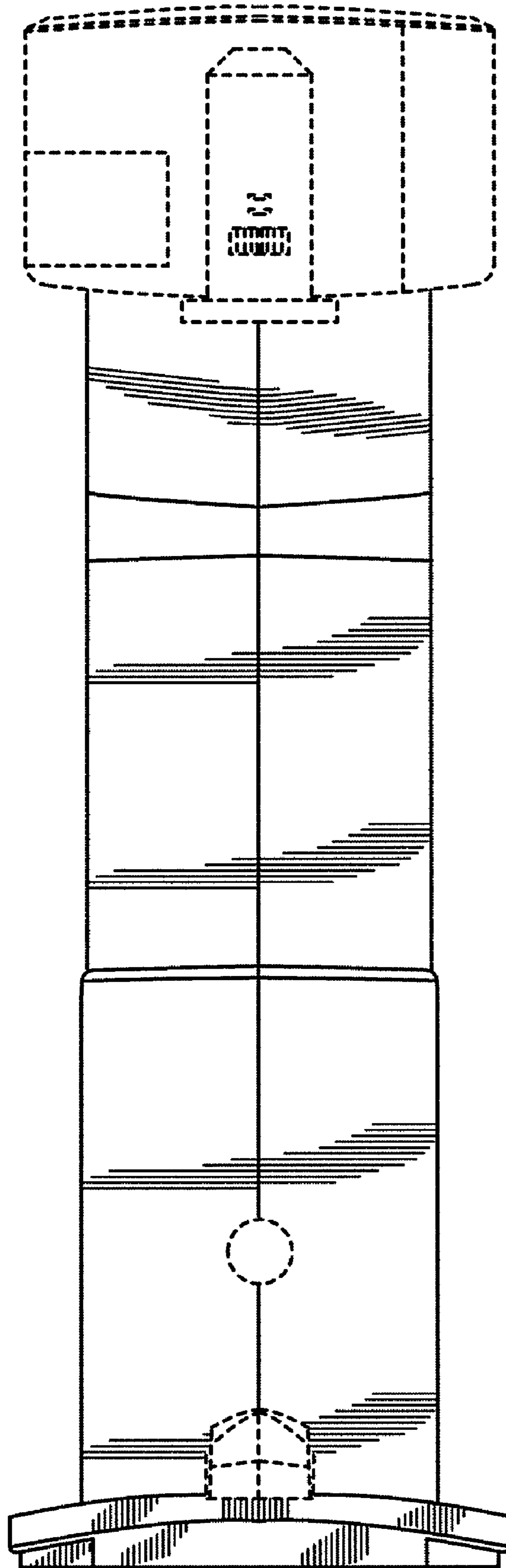


FIG. 2

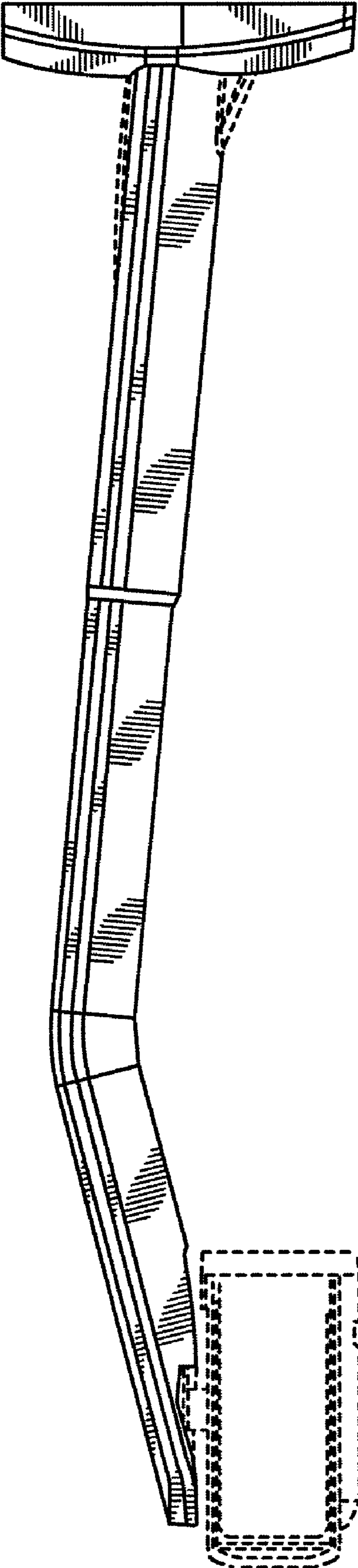


FIG. 3

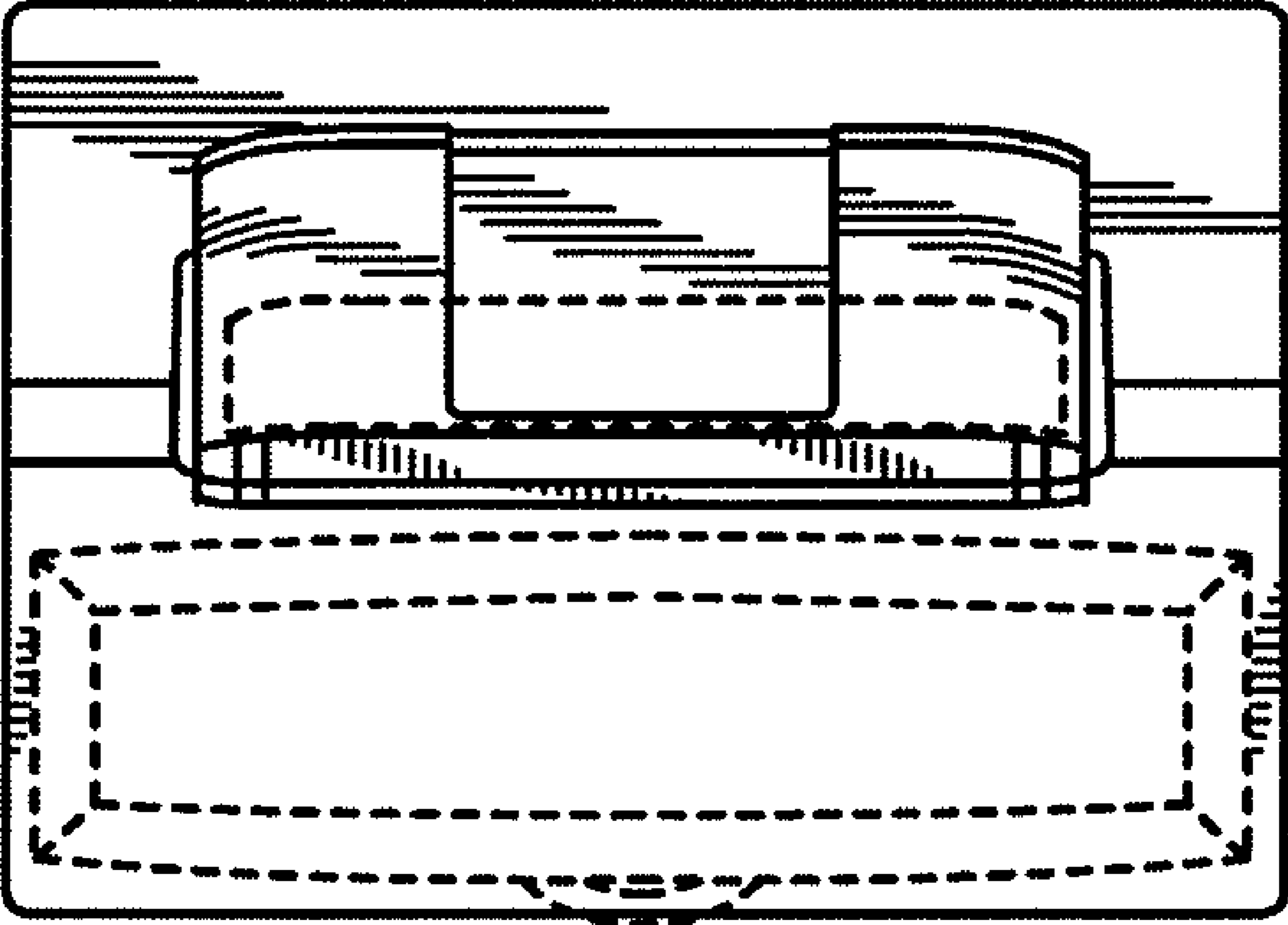


FIG. 4

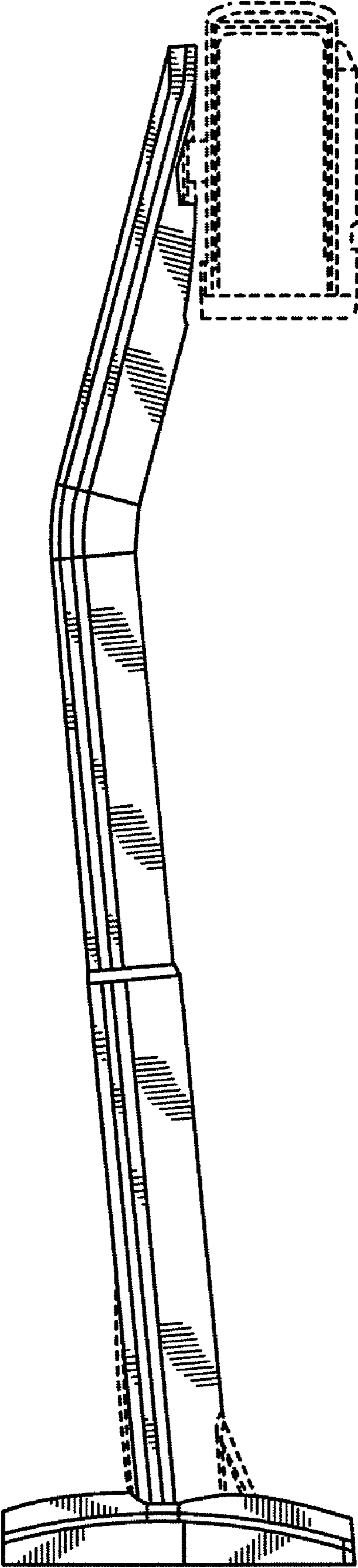


FIG. 5

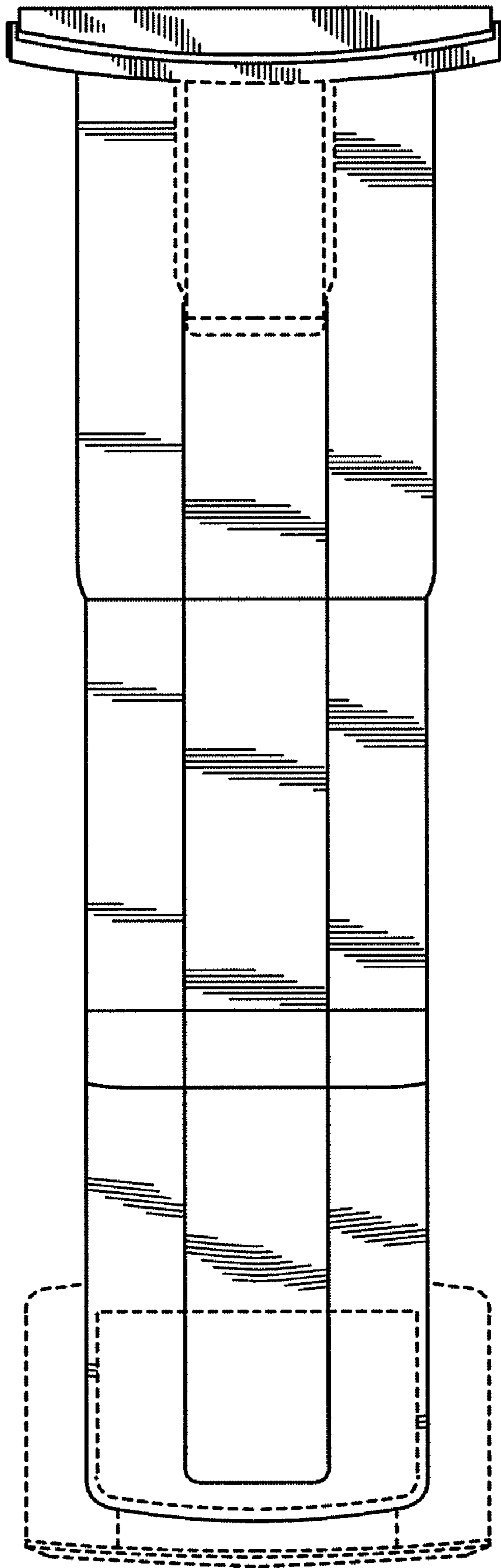


FIG. 6

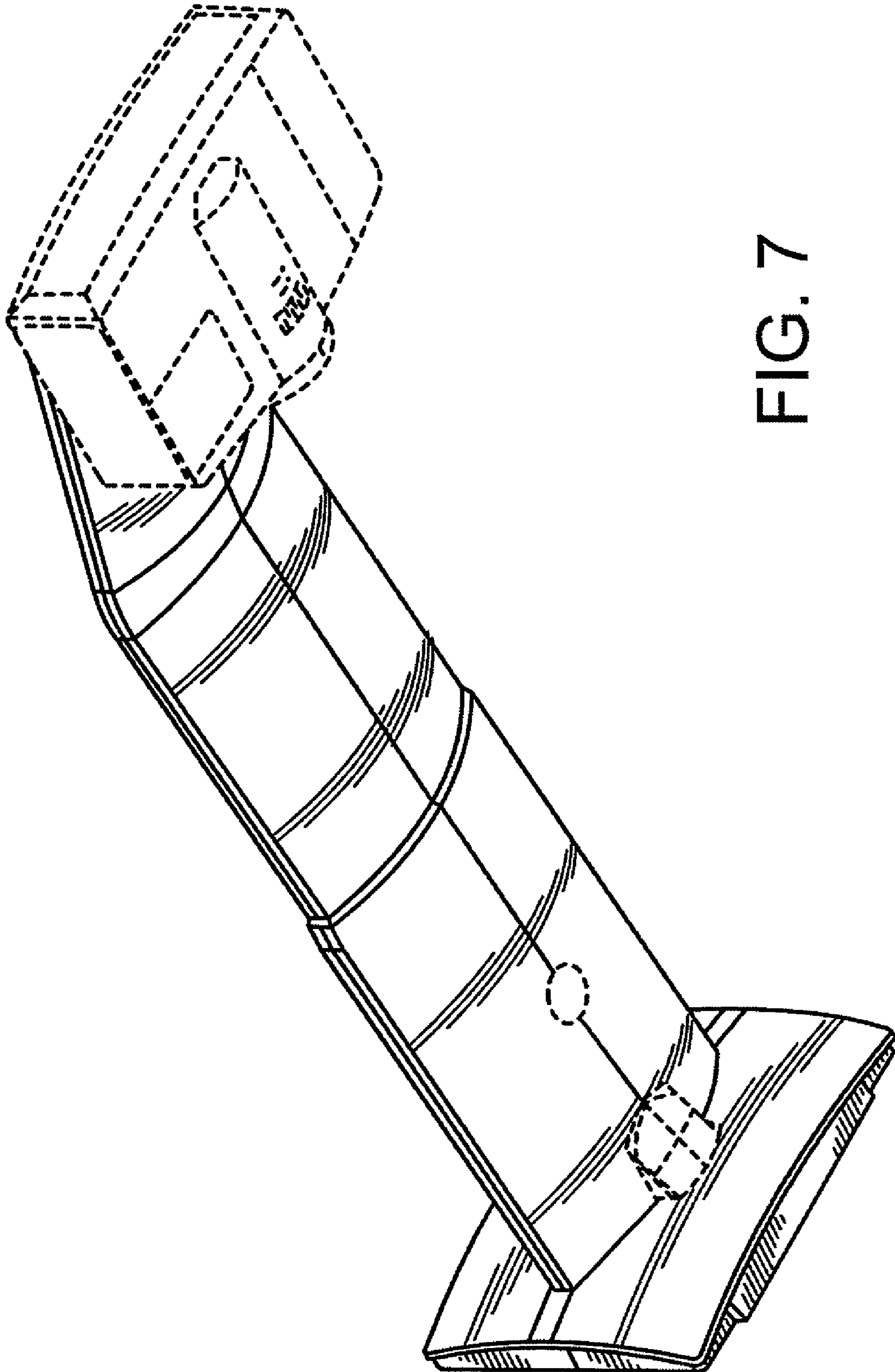


FIG. 7