



US00D613293S

(12) **United States Design Patent**
Sheba

(10) **Patent No.:** **US D613,293 S**
(45) **Date of Patent:** **** Apr. 6, 2010**

(54) **MEMORY CARD HOLDER**

(75) Inventor: **Yaron Sheba**, Mountain View, CA (US)

(73) Assignee: **SanDisk Corporation**, Milpitas, CA (US)

(**) Term: **14 Years**

(21) Appl. No.: **29/310,553**

(22) Filed: **Aug. 26, 2008**

(51) **LOC (9) Cl.** **14-02**

(52) **U.S. Cl.** **D14/435; D3/247**

(58) **Field of Classification Search** D14/435, D14/436, 437, 438, 432, 356; D3/294, 273, D3/201, 203.5, 203.6, 284, 295, 903, 203.1, D3/203.2, 247, 249, 250, 227; D9/414, 422, D9/424, 430, 432, 415; D28/83, 77, 78; D6/632, 407, 634, 635, 627-629, 314; 206/38, 206/38.1, 39, 232, 804, 815, 308.1, 308.3, 206/472, 473, 483, 474, 477, 480, 569, 570, 206/482, 485, 486, 320, 305, 307, 307.1, 206/450, 701, 722, 387.1, 387.13, 491, 455, 206/316.1, 316.2, 706, 725, 312, 223, 235, 206/236, 811, 710, 454, 531, 493, 445, 311, 206/823, 581, 574, 37, 39.4, 39.5, 39.6, 39.1, 206/39.3, 776, 709, 449, 555; 206/807, 459.5, 206/556; 361/756, 686, 801, 802, 737, 752, 361/727; 150/147, 149, 150, 900, 131; 235/486, 235/487, 451, 492, 493, 380, 386, 382, 488; 242/378.2, 375, 385.1, 371, 400; 439/630, 439/945, 61, 135, 946; 53/471; 40/642.02, 40/655, 661.07, 765, 1.5, 427, 777, 649, 40/1.6, 666, 661.04, 27.5, 653, 308; 224/277, 224/929, 162, 269, 191, 254, 255, 274, 245, 224/196; 220/4.22, 526, 281, 315, 326, 826, 220/263, 835, 324, 838, 4.23, 839; 16/361; 215/201; 211/40; 70/276, 58, 63; 190/109, 190/117, 901; 312/244; 402/3, 76; D7/629; D8/339, 330, 331, 343; 292/116, 137, 148, 292/156, 302, DIG. 11; 132/293-295, 298, 132/301, 300; D21/333, 54, 55, 57; D99/34; 24/3.11, 3.12; 403/348; D20/43; D19/78, D19/90, 1; 382/124; 356/71; 383/43, 106; 283/904; 281/42; D11/78.1; 174/353, 372, 174/386, 535; 109/23, 24; 340/568.7

See application file for complete search history.

(56) **References Cited**

U.S. PATENT DOCUMENTS

1,213,816 A * 1/1917 Ballentine 206/39.3
1,436,484 A * 11/1922 Dahl 40/649
1,451,279 A * 4/1923 Strietelmeier 206/39.5

(Continued)

OTHER PUBLICATIONS

“Memory Card Holder and Organizer for Holding and Organizing a Plurality of Portable Memory Cards,” U.S. Appl. No. 12/493,134, filed Jun. 26, 2009, inventors: Yaron Sheba and Philip Lee.

Hardy, Ed. “SD/MMC Card Holder Review”, Palm Infocenter, Feb. 22, 2002, 6 pages. Printed from Internet at <http://www.palminfocenter.com/news/3025/review-sd-mmc-card-holder/> on Aug. 23, 2008.

G2-Mini SD Memory Card Case product web page from website InAnyCase.com, printed from the Internet at http://www.inanycase.com/Merchant2/merchant.mv?Session_Id=48B04D6900084CE400... On Aug. 23, 2008, 1 page.

(Continued)

Primary Examiner—Susan Moon Lee

(74) *Attorney, Agent, or Firm*—Brinks Hofer Gilson & Lione

(57) **CLAIM**

The ornamental design for a memory card holder, as shown and described.

DESCRIPTION

FIG. 1 is a perspective view of a memory card holder that incorporates my new design.

FIG. 2 is a front view thereof.

FIG. 3 is a rear view thereof.

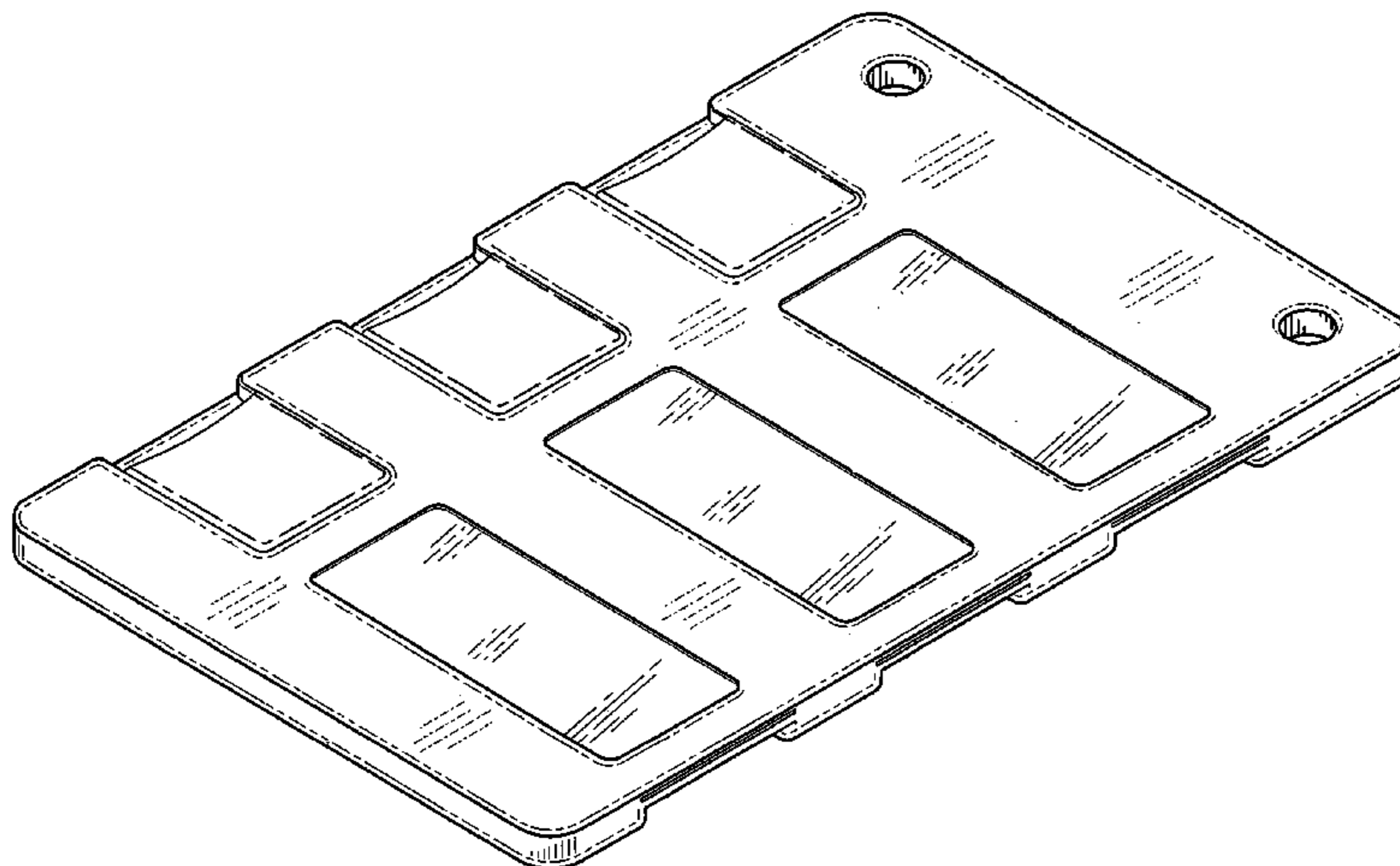
FIG. 4 is a right-side view thereof.

FIG. 5 is a left-side view thereof; and,

FIG. 6 is a top view thereof.

The bottom view thereof is identical to the top view thereof shown in FIG. 6.

1 Claim, 4 Drawing Sheets



US D613,293 S

U.S. PATENT DOCUMENTS						
1,652,842	A *	12/1927 Tanner	40/649	5,740,938	A 4/1998 Hofmann et al.	
1,670,343	A *	5/1928 Clemens	206/39.5	5,749,464	A 5/1998 Cheris et al.	
2,185,624	A *	1/1940 Beck	206/39	5,752,615	A 5/1998 Hofmann et al.	
2,334,487	A *	11/1943 Greenway	40/661.07	5,782,352	A 7/1998 Senda	
D140,900	S *	4/1945 Behrman	D99/34	5,791,474	A * 8/1998 Hansen	206/449
3,029,537	A *	4/1962 Hopp et al.	40/653	D397,870	S 9/1998 De Winter	
3,294,222	A	12/1966 Hodgson		5,826,719	A 10/1998 Chen	
D209,035	S *	10/1967 Robert	D6/314	5,829,583	A 11/1998 VerWeyst et al.	
D209,629	S	12/1967 Brockway		D403,152	S * 12/1998 Parad	D3/247
D214,819	S	7/1969 Goldberg		5,842,486	A 12/1998 Davis et al.	
3,615,006	A	10/1971 Freed		5,865,310	A 2/1999 Lee	
3,749,230	A	7/1973 Foster		D406,192	S 3/1999 Schurman	
3,767,110	A	10/1973 Congleton		5,878,878	A 3/1999 Wu	
D230,569	S	3/1974 Fallowfield et al.		5,884,764	A 3/1999 Hartstone	
3,891,070	A	6/1975 Montanari		5,901,764	A * 5/1999 Ritter	150/147
D237,419	S	10/1975 Lapins et al.		5,929,427	A * 7/1999 Harada et al.	235/492
3,954,179	A	5/1976 Warmath		5,941,375	A * 8/1999 Kamens et al.	206/38
D249,825	S	10/1978 Hasulak		D413,440	S 9/1999 Schurman	
4,141,400	A *	2/1979 Mangan	206/39.6	D413,753	S 9/1999 Allsop	
4,345,607	A	8/1982 Contreras et al.		5,984,441	A 11/1999 Stokhuijzen	
D274,065	S *	5/1984 Goutchat	D19/78	D419,359	S 1/2000 Eguchi et al.	
4,454,889	A	6/1984 Contreras, Sr.		6,016,954	A * 1/2000 Abe et al.	235/379
D278,097	S	3/1985 Akiyoshi		6,021,901	A 2/2000 Wolfe	
4,518,080	A *	5/1985 Ohlson	206/39	6,029,811	A 2/2000 Heiligers	
4,521,981	A *	6/1985 Kasprzycki et al.	40/634	6,050,014	A * 4/2000 Ohlson	40/649
D281,033	S	10/1985 Mohri		D425,294	S 5/2000 Haverstick	
D285,177	S	8/1986 Goetz		6,089,289	A * 7/2000 Florjancic	150/147
D288,983	S	3/1987 Juhas et al.		6,121,544	A * 9/2000 Petsinger	174/353
4,697,698	A *	10/1987 Holdener	206/39.4	D431,719	S * 10/2000 Mucarquer	D3/247
4,700,840	A *	10/1987 Haddock	206/449	D431,881	S 10/2000 Gavin	
4,703,853	A	11/1987 Byrns		6,155,410	A * 12/2000 Davis	206/39.5
4,746,045	A *	5/1988 Schweim	224/274	6,170,753	B1 * 1/2001 Takemura	235/486
4,778,047	A	10/1988 Lay		6,186,403	B1 * 2/2001 Ozbey et al.	235/487
4,791,608	A *	12/1988 Fushimoto	365/52	6,199,559	B1 3/2001 Nikolaus et al.	
4,817,819	A *	4/1989 Kelly	221/2	6,199,689	B1 3/2001 Higuchi et al.	
4,852,727	A *	8/1989 Oberle	206/39.4	6,223,754	B1 5/2001 Burdi et al.	
4,863,034	A	9/1989 Contreras, Sr.		6,266,905	B1 * 7/2001 Forsythe et al.	40/657
D308,913	S	7/1990 Kirchner		6,275,383	B1 * 8/2001 Bohm	361/752
D309,431	S	7/1990 Sheehan		6,283,298	B1 9/2001 Seidler	
D313,698	S *	1/1991 Duffy	D3/247	D456,201	S 4/2002 Hummell et al.	
D314,865	S *	2/1991 Tuisku	D3/247	6,409,360	B2 * 6/2002 Contant et al.	362/154
5,038,926	A *	8/1991 van der Toorn	206/39.3	6,427,837	B1 * 8/2002 Shields	206/449
5,050,623	A	9/1991 Yuhara et al.		D468,199	S 1/2003 Lambelet et al.	
5,069,333	A *	12/1991 Chen	206/39.5	D470,657	S * 2/2003 Kawamura	D3/247
5,080,223	A *	1/1992 Mitsuyama	206/39.5	D470,658	S 2/2003 Chunn et al.	
5,094,396	A	3/1992 Burke		6,571,940	B2 * 6/2003 Newman	206/38
5,115,931	A	5/1992 Dubach		D477,143	S 7/2003 Nagata et al.	
D328,526	S *	8/1992 Bianchi et al.	D3/247	D477,745	S 7/2003 Shamoan	
D332,684	S *	1/1993 Melamed	D99/34	6,594,154	B1 7/2003 Brewer et al.	
5,183,153	A *	2/1993 Linn	206/232	D478,689	S 8/2003 Thorpe	
D333,727	S	3/1993 Schurman		6,648,166	B2 11/2003 Levy	
5,217,056	A *	6/1993 Ritter	150/147	D484,352	S 12/2003 Palmer	
D337,656	S *	7/1993 Hostert	D3/247	6,715,795	B2 * 4/2004 Klure	283/62
5,293,995	A	3/1994 Iwaki et al.		6,739,452	B2 5/2004 Rochelo	
D347,728	S	6/1994 Taniyama		6,766,952	B2 7/2004 Luu	
D352,601	S	11/1994 Dallaire		6,782,998	B2 * 8/2004 Koren	206/39
D358,055	S	5/1995 Long et al.		D497,074	S 10/2004 Dardashti	
5,467,871	A *	11/1995 DeField	206/232	D497,508	S 10/2004 Dardashti	
5,531,322	A	7/1996 Iwaki et al.		6,824,006	B2 11/2004 Lambelet, Jr.	
5,544,438	A *	8/1996 Fazekas	40/605	6,845,863	B1 * 1/2005 Riley	206/39
D375,429	S *	11/1996 Staack et al.	D6/627	6,848,577	B2 * 2/2005 Kawamura et al.	206/449
5,592,767	A *	1/1997 Treske	40/649	6,863,537	B2 * 3/2005 Pellizari	439/31
D379,830	S *	6/1997 Wasylyk	D19/90	6,881,086	B2 * 4/2005 Ohashi	439/326
5,638,838	A	6/1997 Lombardi		6,971,520	B2 * 12/2005 Fulda	206/455
D380,493	S *	7/1997 Sanders	D19/37	6,991,155	B2 * 1/2006 Burchette, Jr.	235/379
5,692,438	A *	12/1997 Kanai	101/127.1	D514,308	S 2/2006 Wahl et al.	
5,697,498	A	12/1997 Weisburn et al.		7,052,295	B1 5/2006 Lin	
D390,357	S	2/1998 Rosen		7,059,911	B2 * 6/2006 Uchida et al.	439/630
D391,760	S	3/1998 Zeller		7,066,386	B2 * 6/2006 Izumi	235/381
5,727,681	A	3/1998 Li		D525,069	S 7/2006 Farrar et al.	
5,740,624	A *	4/1998 Baseley	40/649	7,093,736	B2 * 8/2006 Maietta et al.	221/3
				RE39,311	E 10/2006 Davis et al.	
				D531,025	S 10/2006 Tanner	

US D613,293 S

Page 3

7,161,747	B2 *	1/2007	Yang, Jr.	359/812	2005/0040057	A1	2/2005	Hoogland	
7,161,811	B2 *	1/2007	Richter	361/737	2005/0155879	A1	7/2005	Hoogland	
7,163,152	B2	1/2007	Osborn et al.		2005/0167302	A1	8/2005	Bjerregaard et al.	
7,172,127	B1 *	2/2007	Poland	235/486	2005/0199710	A1 *	9/2005	Richter	235/380
7,191,899	B2	3/2007	Garcia et al.		2006/0099855	A1 *	5/2006	Richter et al.	439/630
7,293,647	B2	11/2007	Wong et al.		2006/0102728	A1 *	5/2006	Miyazaki	235/486
7,296,716	B2 *	11/2007	Mayzel	224/673	2006/0124747	A1 *	6/2006	Rathbun et al.	235/486
7,306,159	B1	12/2007	Rochelo		2006/0144751	A1	7/2006	Tsang	
7,308,771	B2 *	12/2007	Memelink	40/649	2006/0190738	A1 *	8/2006	Takao	713/185
7,325,744	B2	2/2008	Porter		2006/0208062	A1	9/2006	Osborn et al.	
7,337,979	B2 *	3/2008	Takao	235/492	2007/0063329	A1	3/2007	Liu et al.	
D565,842	S	4/2008	Falcone		2007/0089999	A1 *	4/2007	Decker et al.	206/39
D566,395	S	4/2008	Langer et al.		2007/0205115	A1	9/2007	Lee	
D567,032	S	4/2008	Gilbert		2007/0284264	A1 *	12/2007	Davis	206/39
7,350,642	B2	4/2008	Bjerregaard et al.		2008/0011628	A1 *	1/2008	Lin	206/307
D569,103	S	5/2008	Hoge et al.		2008/0166898	A1 *	7/2008	Hubert et al.	439/64
D573,637	S *	7/2008	Bharma	D19/26	2008/0272191	A1 *	11/2008	Yen	235/380
7,469,787	B2	12/2008	Yuhara		2009/0000969	A1 *	1/2009	Walker et al.	206/307
7,475,816	B1	1/2009	Rochelo		2009/0101255	A1 *	4/2009	Long	150/147
7,520,425	B2 *	4/2009	Clegg	235/380					
7,533,826	B2 *	5/2009	Phillips	235/486					
7,556,205	B2 *	7/2009	Tsang	235/486					
7,568,928	B2 *	8/2009	Hou et al.	439/188					
7,578,446	B2 *	8/2009	Yen	235/486					
7,583,514	B2 *	9/2009	Zuo et al.	361/801					
7,614,548	B2 *	11/2009	Schultz et al.	235/380					
2001/0053634	A1 *	12/2001	Camacho	439/630					
2002/0056652	A1 *	5/2002	Kawamura et al.	206/37					
2002/0117243	A1 *	8/2002	Koren	150/147					
2002/0129527	A1 *	9/2002	Vaudreuil	40/655					
2003/0062275	A1	4/2003	Rochelo						
2003/0085285	A1	5/2003	Luu						
2003/0101630	A1 *	6/2003	Garcia et al.	40/658					
2004/0026275	A1	2/2004	Margetts et al.						
2004/0058576	A1 *	3/2004	Pellizari	439/326					
2004/0079656	A1	4/2004	Hoogland						
2004/0124248	A1 *	7/2004	Selker	235/492					
2004/0245128	A1	12/2004	MacColl et al.						

OTHER PUBLICATIONS

Business Wire Commercial Photo of Memory Card Case, printed from the Internet at <http://cache.daylife.com/imageserve/044R5es3zg5yO/610x.jpg> on Jul. 28, 2008, 1 page.

Photo of Memory Card Case printed from the Internet at http://www.alteccs.com/media/produket/flash_speicher/micro-sd/microSD_2xAdapt_mr... on Jul. 28, 2008, 1 page.

Photo of Memory Card Case printed from the Internet at http://www.myaccessorymall.com/upload/Product/CZU003_zoom2.jpg on Aug. 23, 2008, 1 page.

Photo of Memory Card Case product web page from website [bluenook.com](http://www.bluenook.com), printed from the Internet at http://www.bluenook.com/display_image.asp?img=img%2Fproducts%2Fcase%5Flowepro... on Aug. 23, 2008, 1 page.

* cited by examiner

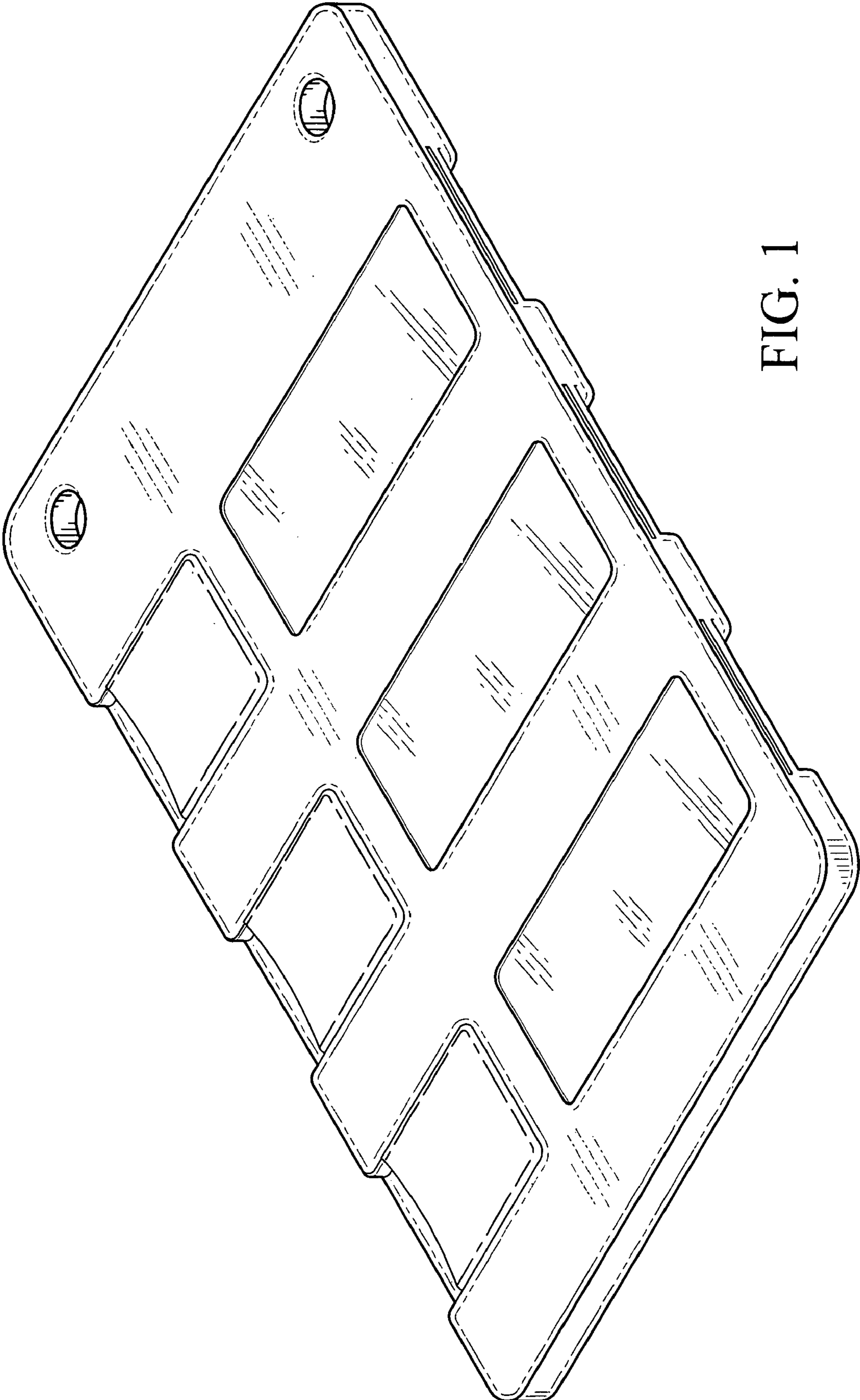


FIG. 1

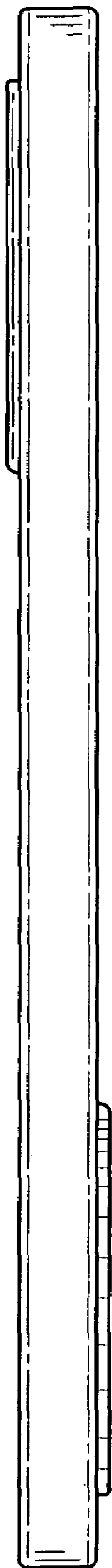


FIG. 2

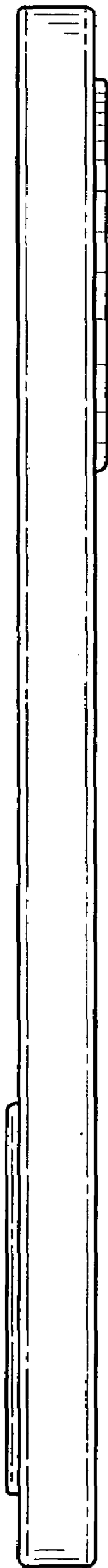


FIG. 3

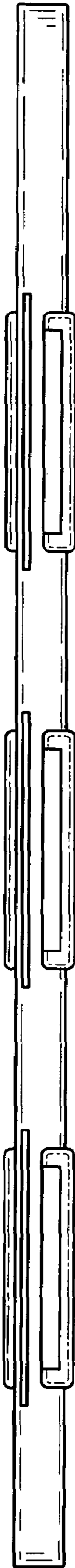


FIG. 4



FIG. 5

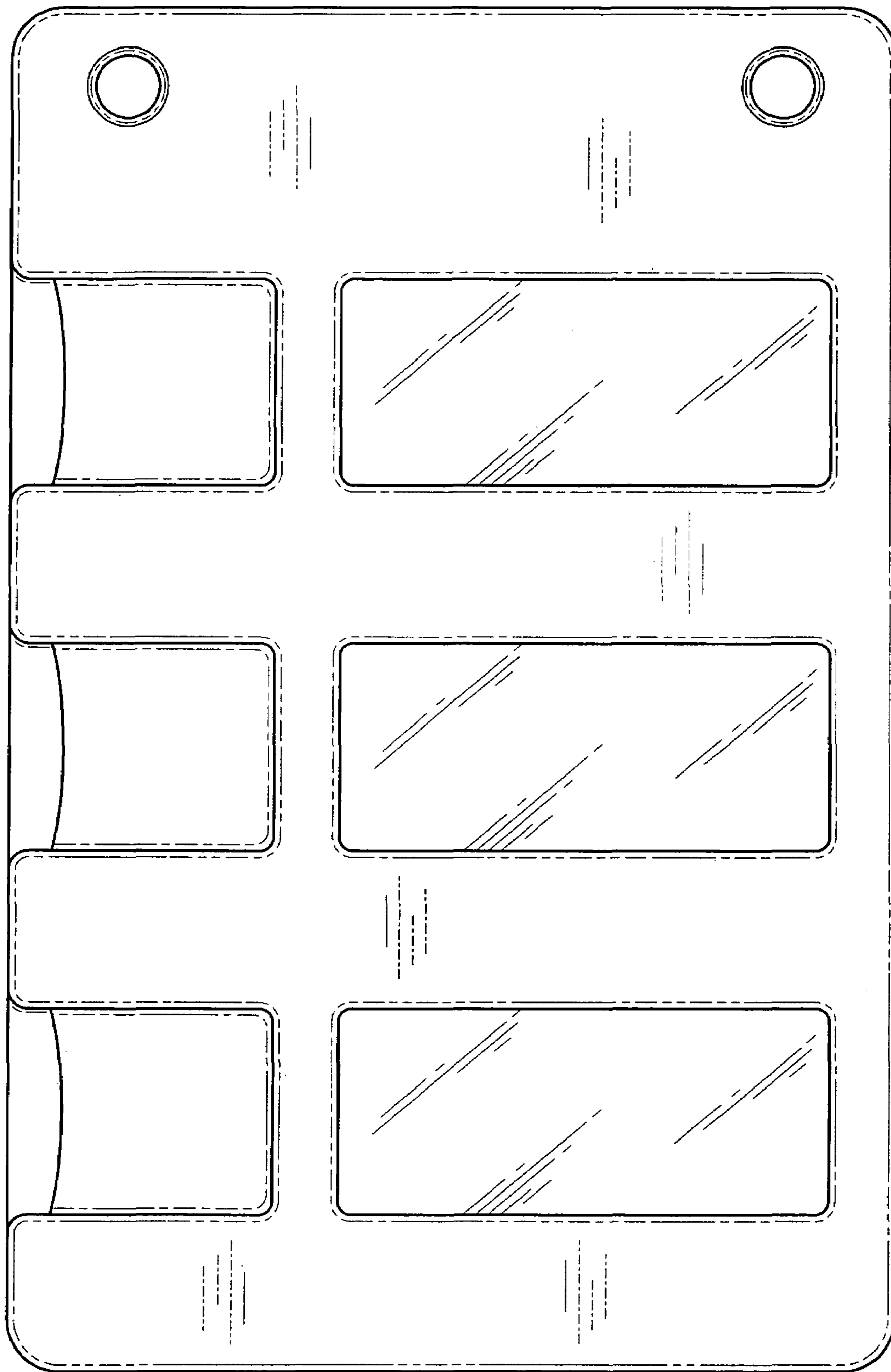


FIG. 6