



US00D613292S

(12) **United States Design Patent**
Carver

(10) **Patent No.:** **US D613,292 S**
(45) **Date of Patent:** **** Apr. 6, 2010**

(54) **HANDHELD ELECTRONIC DEVICE
ACCESSORY**

(76) Inventor: **William Hampton Carver**, 1500
Westwood Ave., Richmond, VA (US)
23227

(**) Term: **14 Years**

(21) Appl. No.: **29/340,024**

(22) Filed: **Jul. 13, 2009**

Related U.S. Application Data

(63) Continuation-in-part of application No. 11/351,032,
filed on Feb. 9, 2006, now abandoned.

(51) **LOC (9) Cl.** **14-02**

(52) **U.S. Cl.** **D14/432; D14/218; D14/299**

(58) **Field of Classification Search** D14/338-340,
D14/346, 347, 356-369, 383-401, 412-417,
D14/432-439, 447, 454-457, 496, 511, 203.1,
D14/203.3, 217, 218, 238.1, 247, 251, 253,
D14/257, 240, 299, 902; D13/123, 133,
D13/149, 154, 156, 158, 162-164, 168, 169,
D13/171, 173, 174, 146; D8/300, 310, 321,
D8/349, 400, 402, 499; D3/218, 318; 455/90.3;
224/217, 218, 191, 929

See application file for complete search history.

(56) **References Cited**

U.S. PATENT DOCUMENTS

D51,333 S * 10/1917 Heizmann D8/310
D52,589 S * 10/1918 Stacy D8/499
D59,801 S * 11/1921 Wise D14/253
1,932,056 A * 10/1933 Weatherhead, Jr. 16/441
3,283,383 A * 11/1966 Heath 24/457
D298,912 S * 12/1988 Puntillo D8/349
D317,860 S * 7/1991 Gary D8/373

D359,052 S * 6/1995 Nagele et al. D14/253
6,073,307 A * 6/2000 Santos et al. 16/429
D450,092 S * 11/2001 Guillot D19/90
D474,672 S * 5/2003 Fields D8/310
D554,469 S * 11/2007 Sato D8/310
D570,836 S * 6/2008 Chen D14/253
D578,868 S * 10/2008 Ramakers et al. D8/354
D592,037 S * 5/2009 Mattson et al. D8/310
D594,735 S * 6/2009 Hofer D8/349
D605,935 S * 12/2009 Zeyfang D8/402
2005/0205623 A1 * 9/2005 Buntain 224/217
2009/0270050 A1 * 10/2009 Brown 455/90.3

* cited by examiner

Primary Examiner—Cathron C Brooks

Assistant Examiner—Deanna Fluegeman

(74) *Attorney, Agent, or Firm*—Thomas, Karceski, Raring &
Teague, P.C.

(57) **CLAIM**

The ornamental design for a handheld electronic device
accessory, as shown and described.

DESCRIPTION

FIG. 1 is a three-quarter perspective view of a handheld
electronic device accessory showing the new design;

FIG. 2 is a left side view thereof, with views from the left and
right sides being the same;

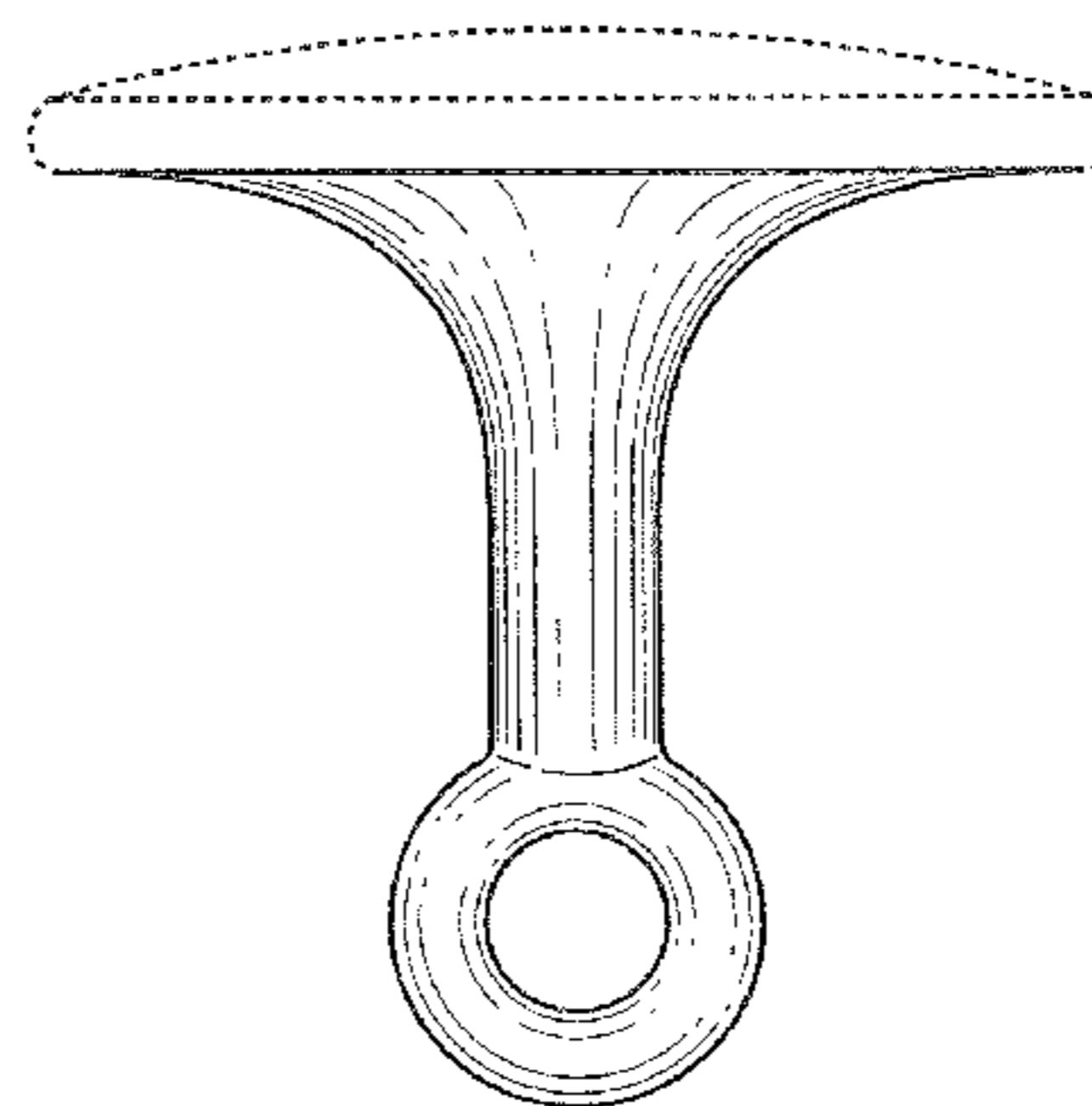
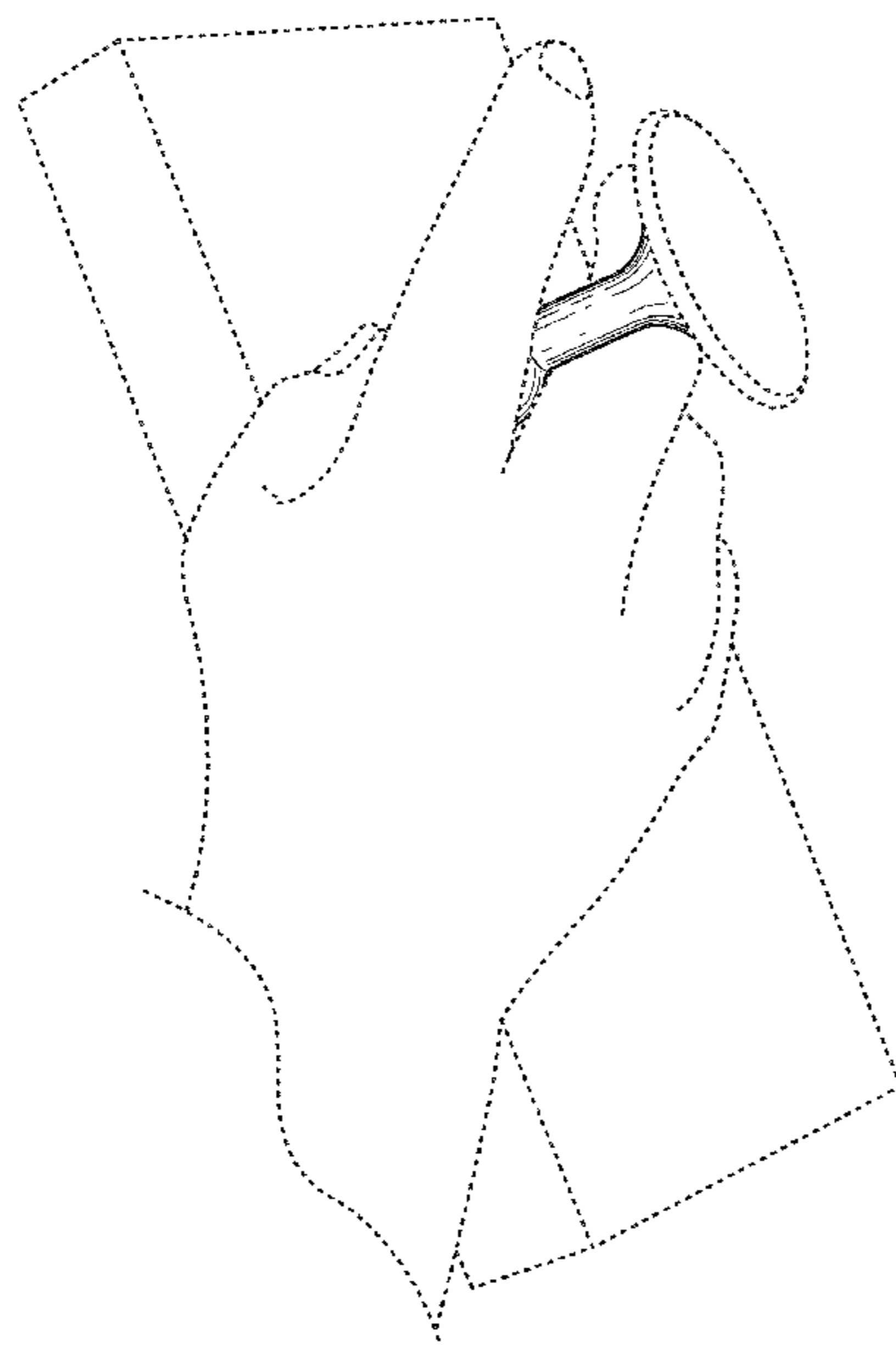
FIG. 3 is a front view thereof, with views from the front and
back sides being the same;

FIG. 4 is a top view thereof; and,

FIG. 5 is a bottom view thereof.

The environmental features illustrated in broken lines in FIG.
1 form no part of the claimed design. The portions of the
handheld electronic device accessory illustrated in broken
lines in FIGS. 1-5 form no part of the claimed design.

1 Claim, 3 Drawing Sheets



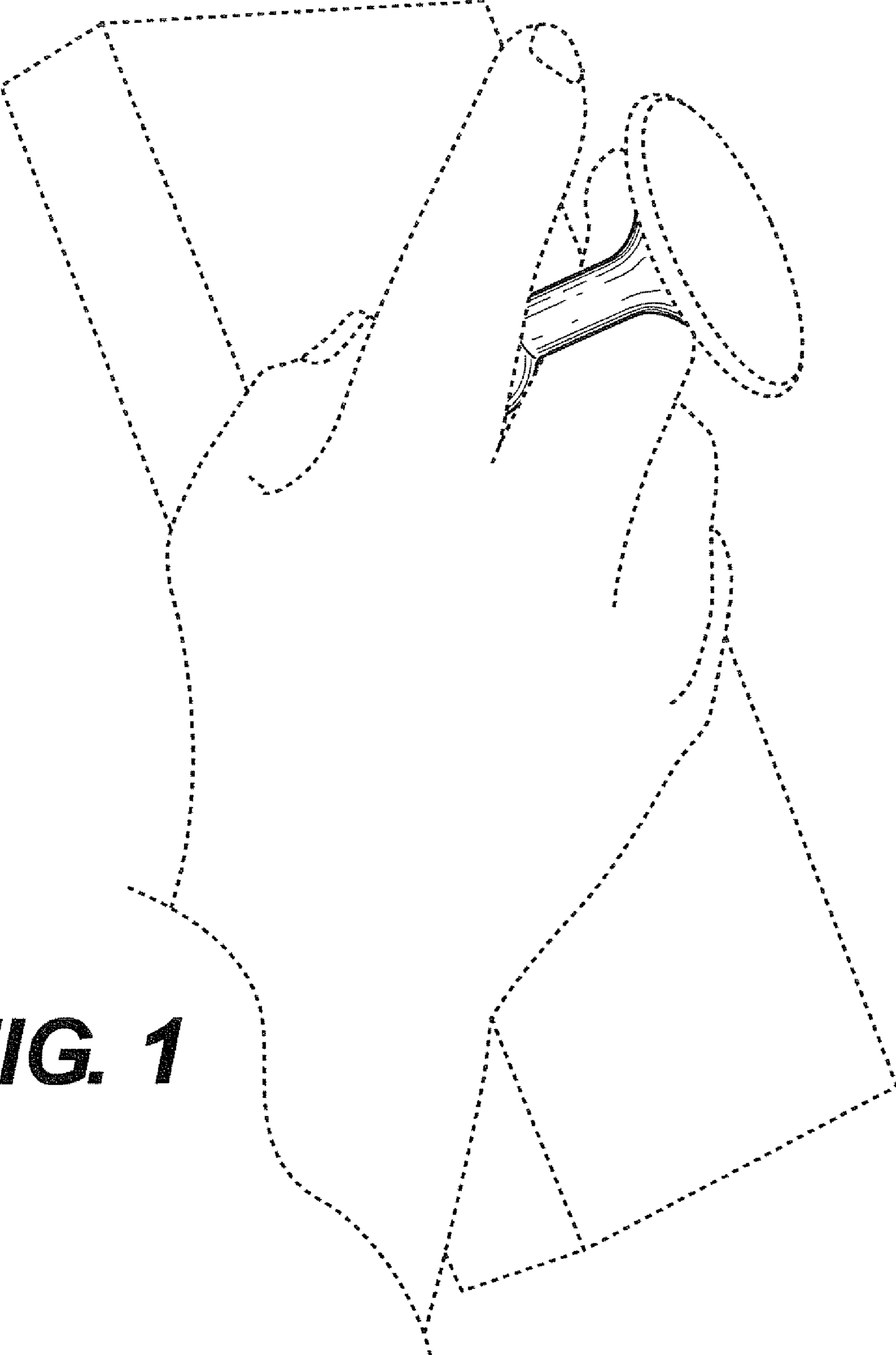


FIG. 1

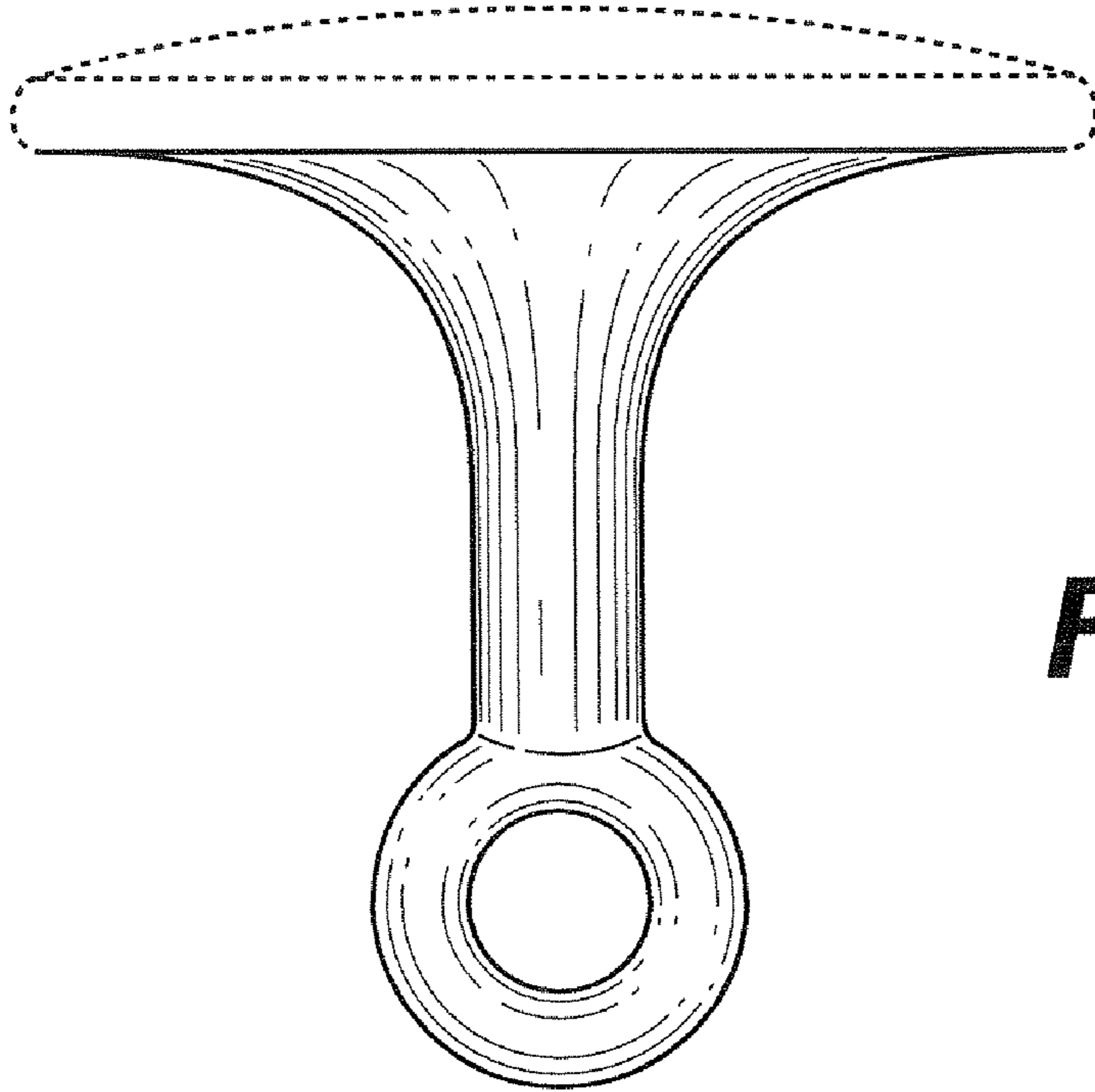


FIG. 2

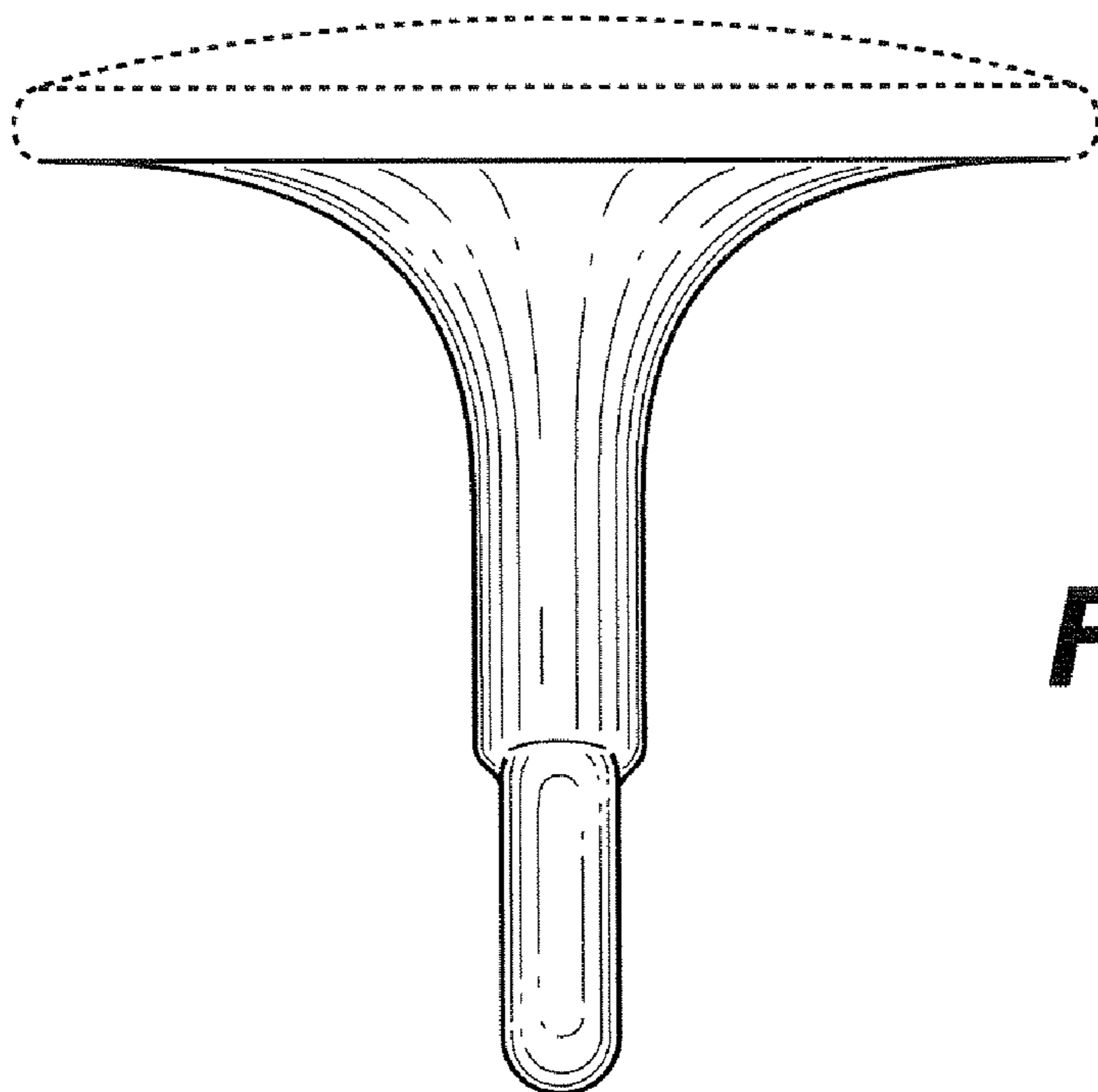


FIG. 3

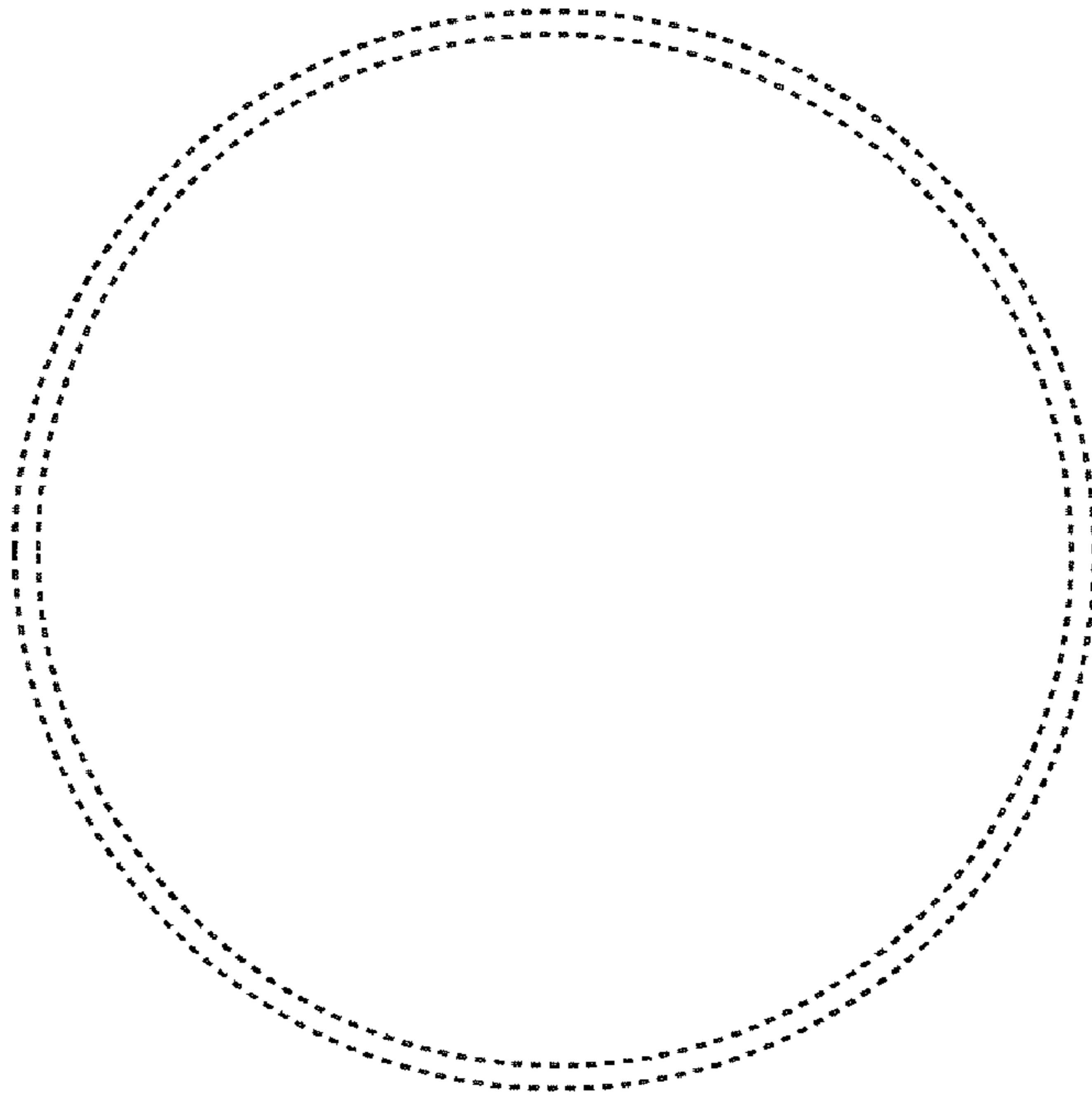


FIG. 4

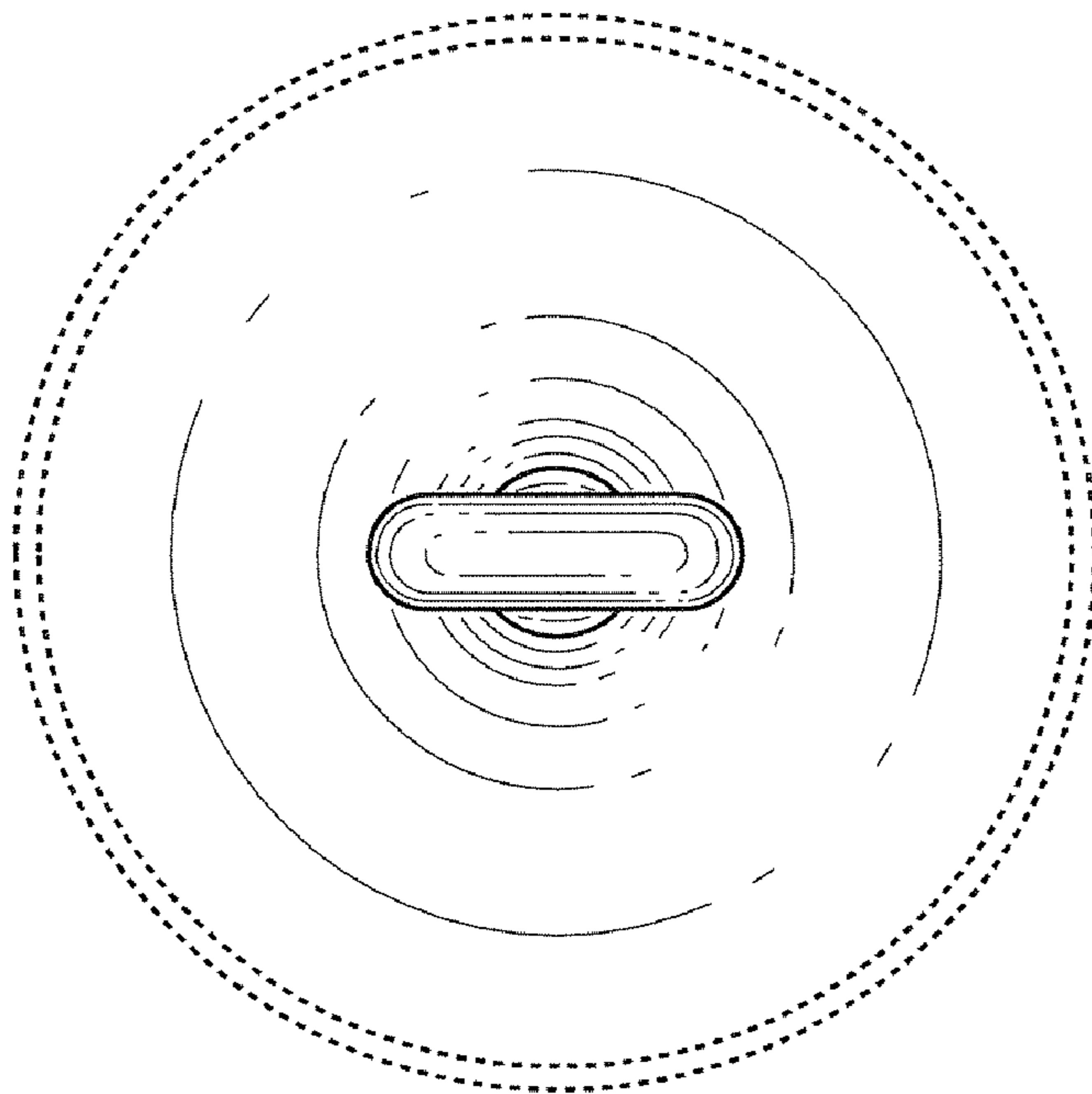


FIG. 5