



US00D613290S

(12) **United States Design Patent**  
**Arnold et al.**

(10) **Patent No.:** **US D613,290 S**  
(45) **Date of Patent:** **\*\* Apr. 6, 2010**

(54) **HAND HELD SCANNER**

(76) Inventors: **Kevin Arnold**, 2210 Hutton Dr., Dallas, TX (US) 75006; **Paul Billings**, 2210 Hutton Dr., Dallas, TX (US) 75006; **Cantor Graves**, 2210 Hutton Dr., Dallas, TX (US) 75006

(\*\*) Term: **14 Years**

(21) Appl. No.: **29/315,112**

(22) Filed: **May 27, 2009**

(51) **LOC (9) Cl.** ..... **14-02**

(52) **U.S. Cl.** ..... **D14/429; D14/426**

(58) **Field of Classification Search** ..... D14/420, D14/426-430, 453, 346, 341, 347, 412, 138; D13/107, 184; 358/473; 235/462.43, 462.45, 235/462.47, 462.48, 462.44, 462.46, 487, 235/472.01, 472.02, 145 A, 145 R; 16/110.1, 16/430, 431; 439/133, 135; 709/219, 201; 710/73; 320/114, 115, 123; 361/679; 382/313, 382/321; 455/575.1, 561, 572; D10/78; 324/426; D3/273; D18/7; 345/156, 168, 345/169, 172, 173, 87

See application file for complete search history.

(56) **References Cited**

**U.S. PATENT DOCUMENTS**

D292,401	S	*	10/1987	Lee et al.	.....	D14/188
D381,975	S	*	8/1997	Trausch et al.	.....	D14/426
D386,152	S	*	11/1997	Warneke	.....	D14/347
D390,554	S	*	2/1998	Larson et al.	.....	D14/137
5,736,726	A	*	4/1998	VanHorn et al.	.....	235/472.02
5,818,027	A	*	10/1998	Paratore	.....	235/472.01
D414,172	S	*	9/1999	Hetfield et al.	.....	D14/426
D414,470	S	*	9/1999	Chacon et al.	.....	D14/341
D414,760	S	*	10/1999	Hetfield et al.	.....	D14/426
5,969,328	A	*	10/1999	Kunert	.....	235/472.01
D417,445	S	*	12/1999	Chacon et al.	.....	D14/399
5,996,896	A	*	12/1999	Grabon	.....	235/472.02
6,039,256	A	*	3/2000	Konosu et al.	.....	235/462.43
D429,226	S	*	8/2000	Siddoway et al.	.....	D14/347
D430,158	S	*	8/2000	Bhatia et al.	.....	D14/341

D430,159	S	*	8/2000	Bhatia et al.	.....	D14/341
6,097,606	A	*	8/2000	Groves et al.	.....	361/747
6,109,528	A	*	8/2000	Kunert et al.	.....	235/472.01
D431,562	S	*	10/2000	Bhatia et al.	.....	D14/341
D436,104	S	*	1/2001	Bhatia et al.	.....	D14/341
D439,898	S	*	4/2001	Ober et al.	.....	D14/347
D447,141	S	*	8/2001	Itoh et al.	.....	D14/385
D462,357	S	*	9/2002	Jenkins	.....	D14/426
D463,425	S	*	9/2002	Jenkins	.....	D14/347
D467,918	S	*	12/2002	Fitch et al.	.....	D14/347
D477,598	S	*	7/2003	Mathiowetz et al.	.....	D14/347
6,633,483	B2	*	10/2003	Akagi et al.	.....	361/679.4
D490,731	S	*	6/2004	Bradford	.....	D10/78
D494,593	S	*	8/2004	Wulff et al.	.....	D14/429
D496,366	S	*	9/2004	Croley et al.	.....	D14/429
D529,943	S	*	10/2006	Chiu et al.	.....	D18/4.4
7,121,468	B2	*	10/2006	Schmidt et al.	.....	235/462.45

(Continued)

*Primary Examiner*—Susan Moon Lee  
(74) *Attorney, Agent, or Firm*—Thrasher Associates

(57) **CLAIM**

We claim the ornamental design for a hand held scanner handle, as shown and described.

**DESCRIPTION**

FIG. 1 is a perspective view of a hand held scanner showing our new design;

FIG. 2 is a rear view thereof;

FIG. 3 is a top view thereof;

FIG. 4 is a bottom view thereof;

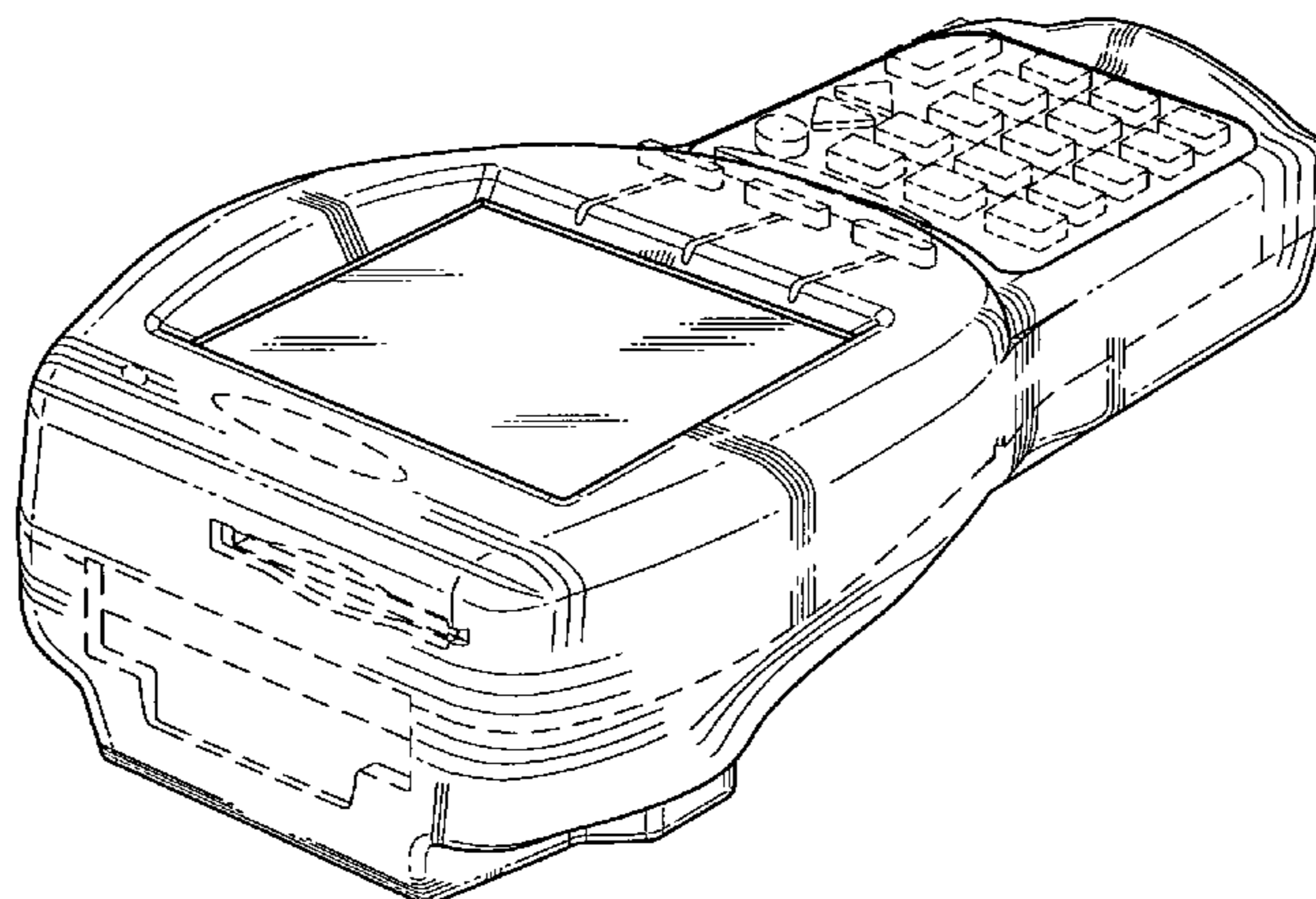
FIG. 5 is a front view thereof;

FIG. 6 is a first side view thereof; and,

FIG. 7 is a second side view thereof.

The portions shown in broken line and the spaces therein encompassed within are not claimed. Furthermore, any instance where there is a singular broken line shown, such as along the bottom and left and right sides of the handle, such singular broken lines are not claimed.

**1 Claim, 7 Drawing Sheets**



# US D613,290 S

Page 2

---

## U.S. PATENT DOCUMENTS

D538,291 S *	3/2007	Croley et al. ....	D14/453	2002/0060247 A1 *	5/2002	Krishnaswamy et al. ....	235/472.01
D539,294 S *	3/2007	Croley et al. ....	D14/453	2003/0121981 A1 *	7/2003	Slutsky et al. ....	235/462.45
7,195,168 B2 *	3/2007	Wulff .....	235/462.45	2004/0089722 A1 *	5/2004	Durbin .....	235/472.01
7,195,169 B2 *	3/2007	Bhatia et al. ....	235/472.01	2005/0017078 A1 *	1/2005	Bhatia et al. ....	235/462.45
D558,776 S *	1/2008	Croley et al. ....	D14/453	2006/0278715 A1 *	12/2006	Hamilton et al. ....	235/472.01
D571,808 S *	6/2008	Dorr et al. ....	D14/429	2007/0158428 A1 *	7/2007	Havens et al. ....	235/462.45
D574,830 S *	8/2008	Tasselli et al. ....	D14/426	2007/0158429 A1 *	7/2007	Bhatia et al. ....	235/462.45
D575,287 S *	8/2008	Miyashita .....	D14/426	2008/0006699 A1 *	1/2008	Hattersley et al. ....	235/472.01
7,416,129 B2 *	8/2008	Bhatia et al. ....	235/472.01	2009/0224039 A1 *	9/2009	Hause et al. ....	235/385

\* cited by examiner

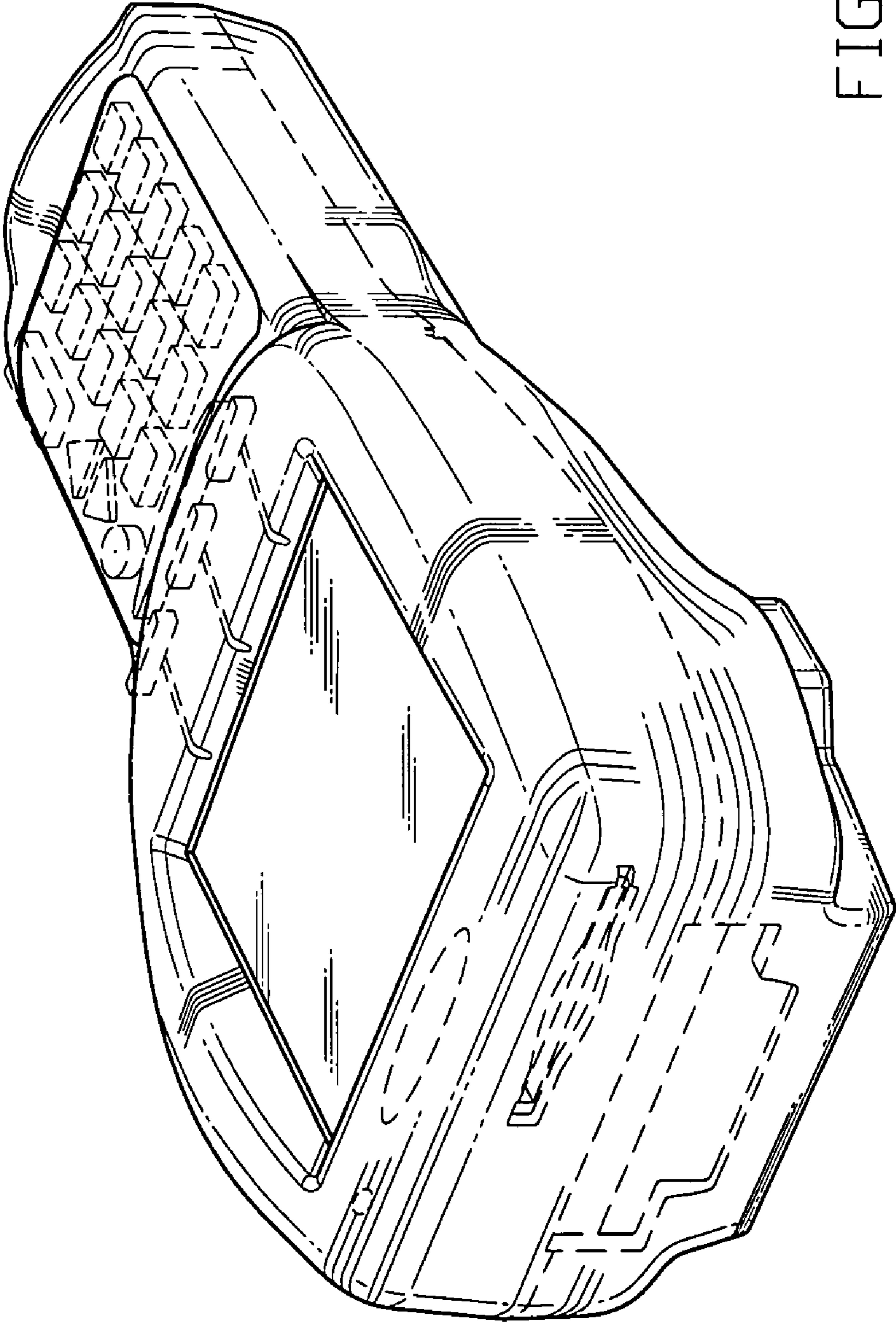


FIG 1

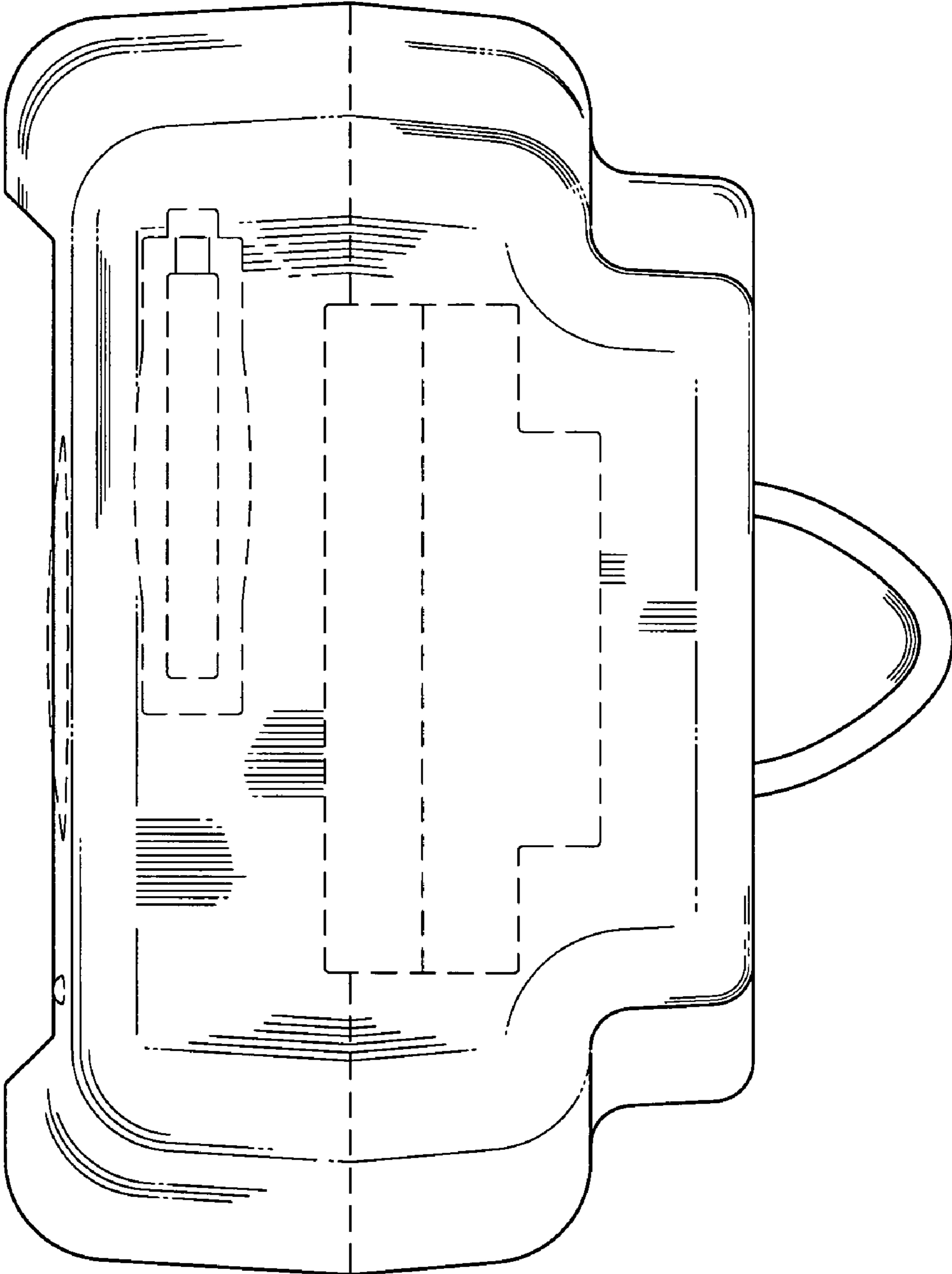


FIG 2

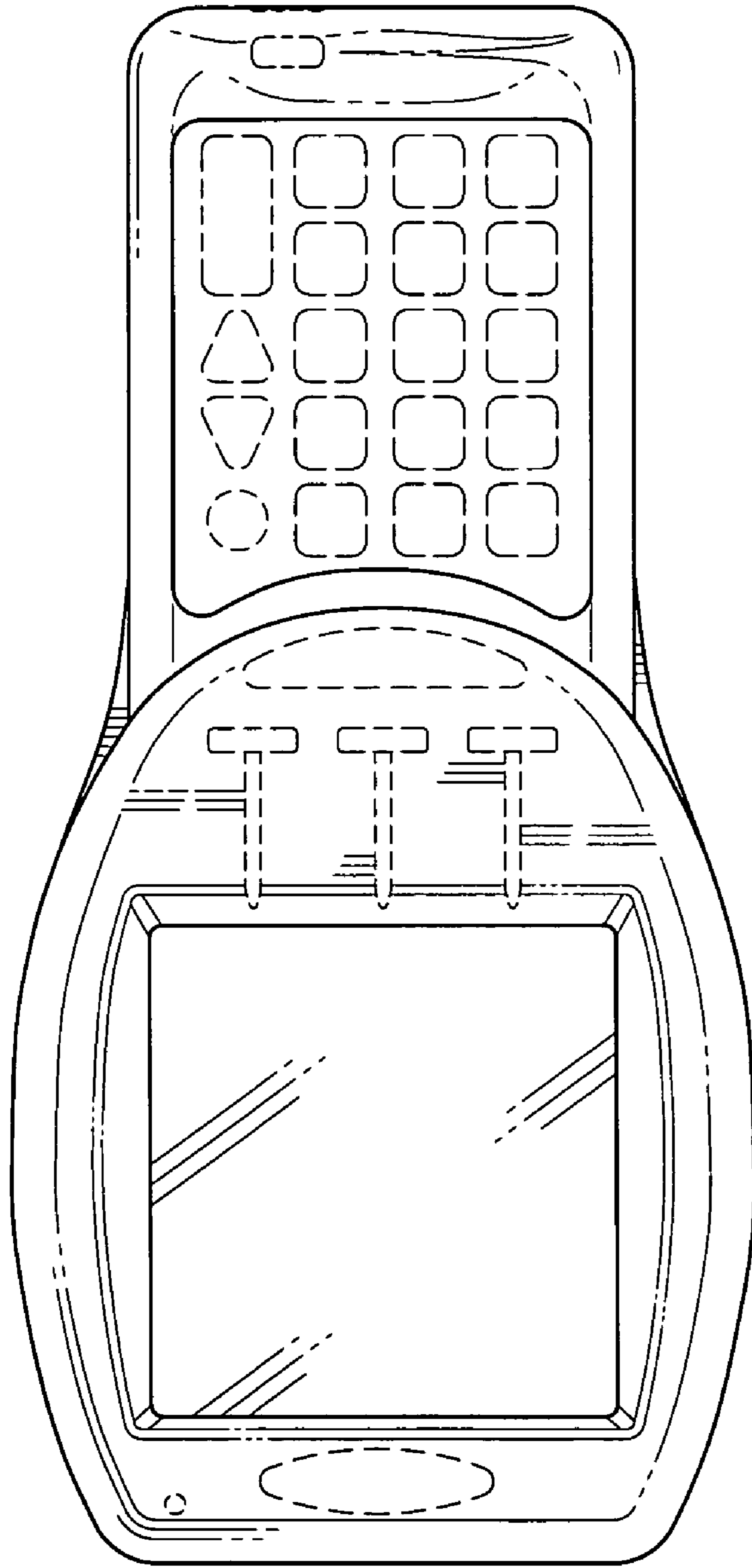


FIG 3

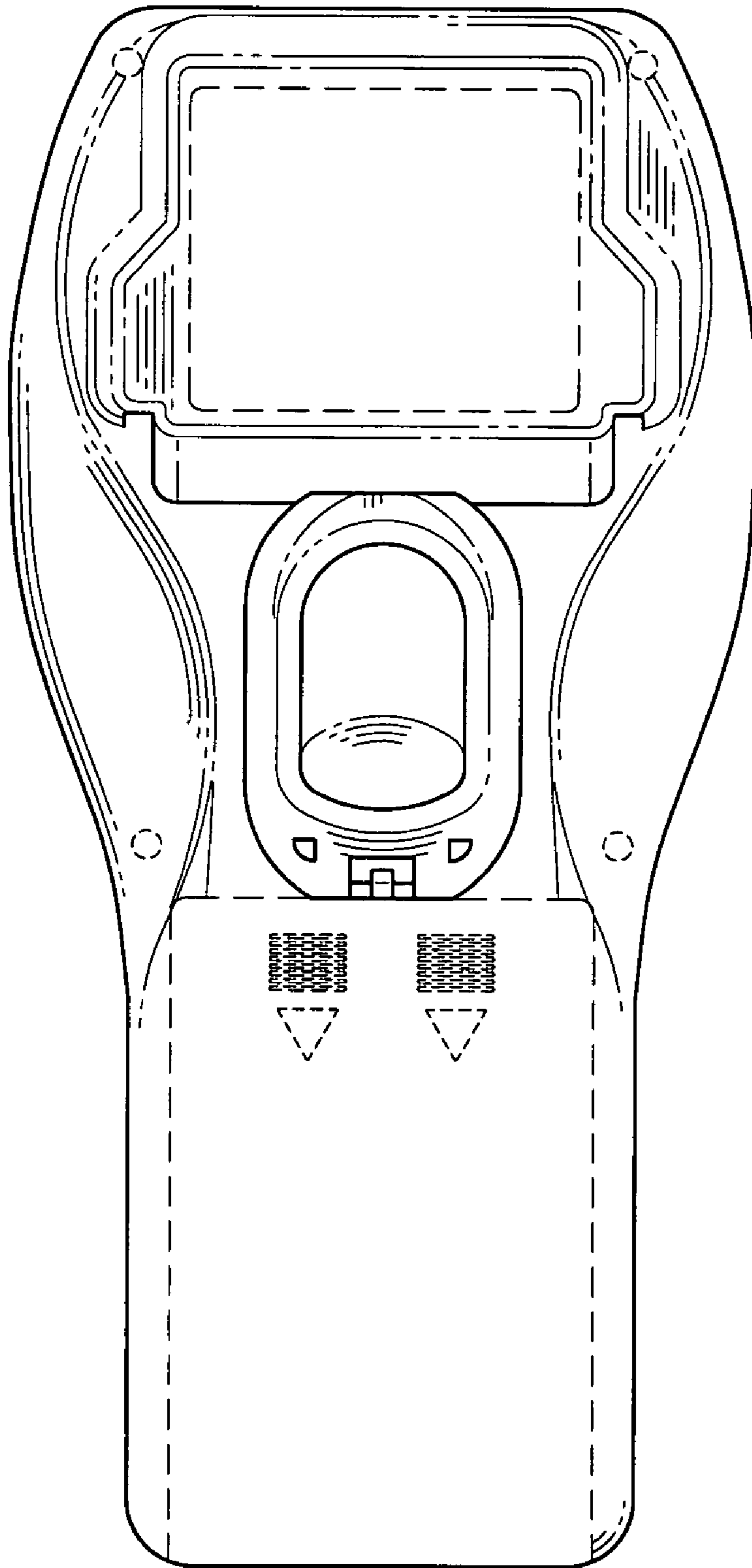


FIG 4

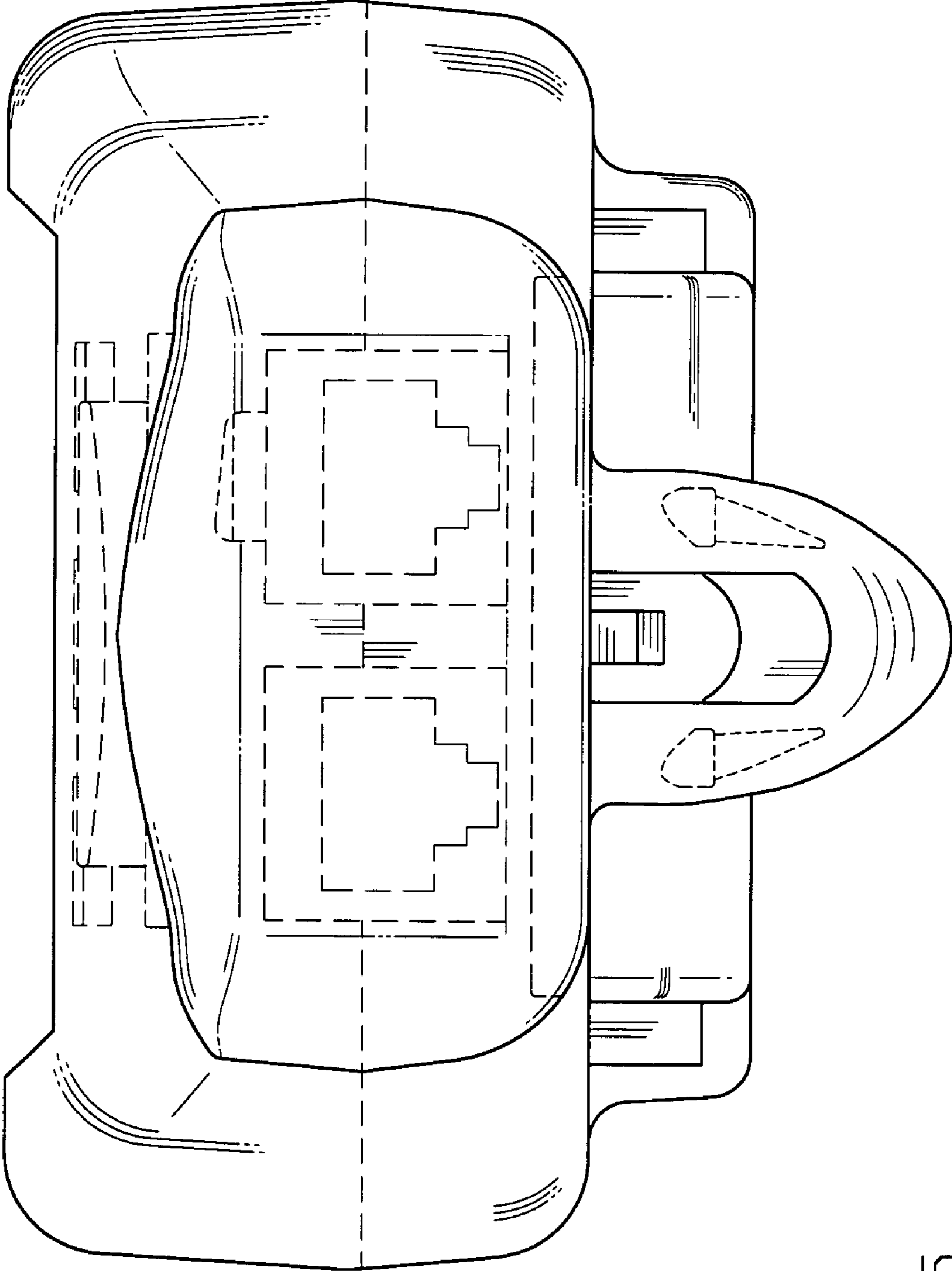


FIG 5

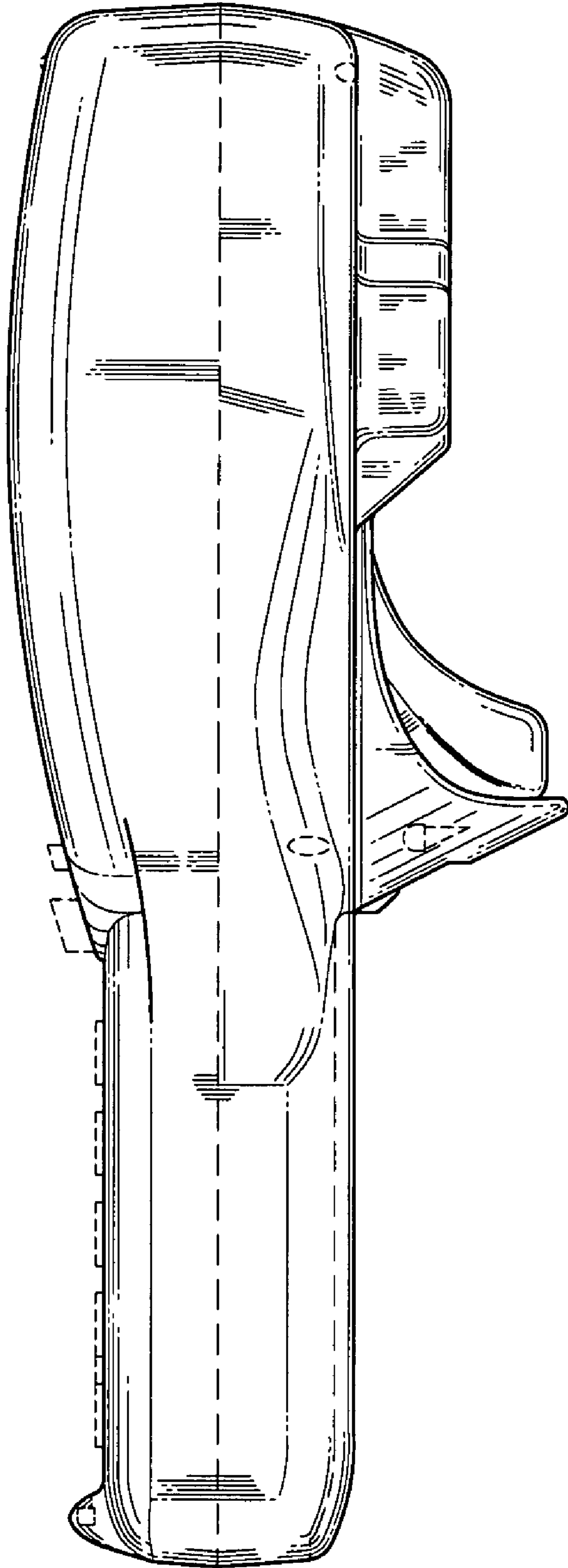


FIG 6



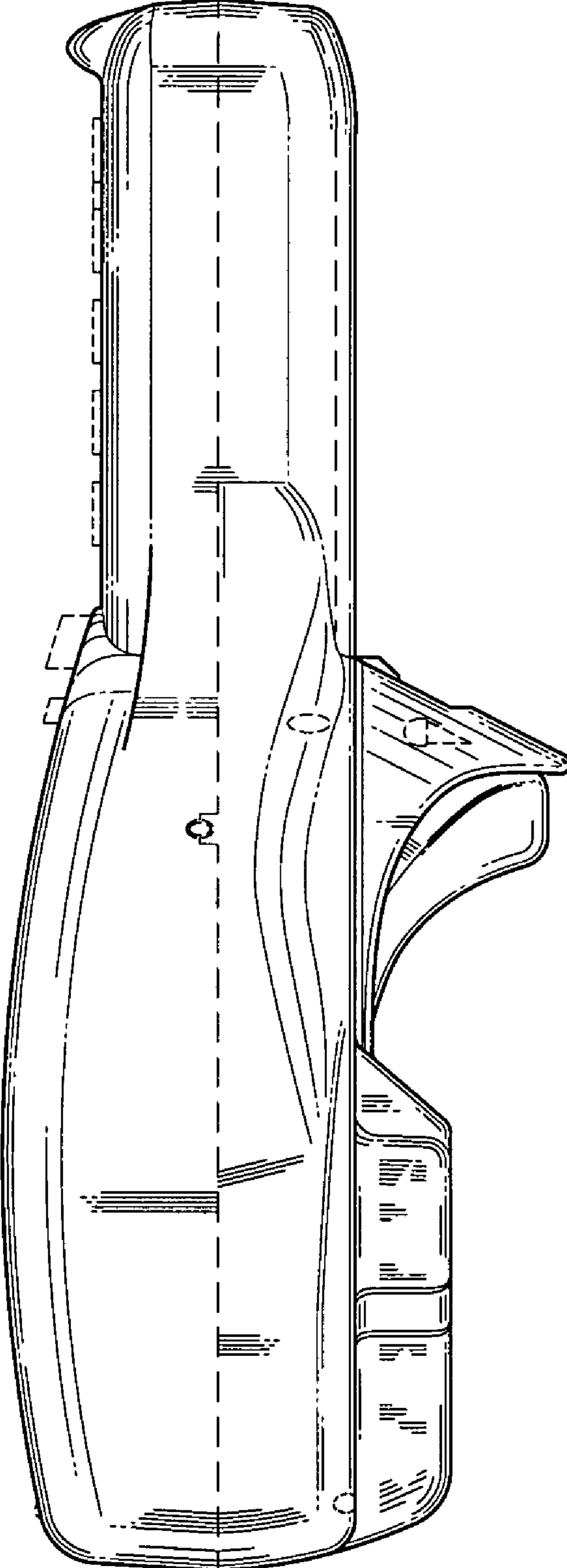


FIG 7