



US00D613288S

(12) **United States Design Patent**  
**Minehart et al.**

(10) **Patent No.:** **US D613,288 S**  
(45) **Date of Patent:** **\*\* Apr. 6, 2010**

(54) **MINITOWER COMPUTER HOUSING**

(75) Inventors: **Jason Minehart**, Austin, TX (US);  
**Brian Hargrove Leonard**, Austin, TX  
(US); **Nick Poteracki**, Austin, TX (US)

(73) Assignee: **Dell Products L.P.**, Round Rock, TX  
(US)

(\*\*) Term: **14 Years**

(21) Appl. No.: **29/342,161**

(22) Filed: **Aug. 19, 2009**

(51) **LOC (9) Cl.** ..... **14-02**

(52) **U.S. Cl.** ..... **D14/349**

(58) **Field of Classification Search** ..... D14/308,  
D14/313, 349-361, 388, 300; D13/162,  
D13/184, 199; 312/223.1-223.3; 360/99.01-99.12;  
361/679.31-679.33, 816, 679.6; 369/34.01,  
369/36.01; 358/496

See application file for complete search history.

(56) **References Cited**

**U.S. PATENT DOCUMENTS**

D370,467 S *	6/1996	Barthelemy et al. ....	D14/349
D439,248 S *	3/2001	Massaro et al. ....	D14/349
D464,964 S *	10/2002	Chien et al. ....	D14/349
6,480,398 B1 *	11/2002	Fiora et al. ....	361/816
6,549,397 B1 *	4/2003	Diaz et al. ....	361/679.6
D478,077 S *	8/2003	Poole et al. ....	D14/349

D487,743 S *	3/2004	Kim .....	D14/349
D497,162 S *	10/2004	Neal et al. ....	D14/349
D585,058 S *	1/2009	Sun et al. ....	D14/349
2003/0122457 A1 *	7/2003	Diaz et al. ....	312/223.2

\* cited by examiner

*Primary Examiner*—Freda S Nunn

(74) *Attorney, Agent, or Firm*—Hamilton & Terrile, LLP;  
Robert W. Holland

(57) **CLAIM**

The ornamental design for a mini tower computer housing, as shown and described.

**DESCRIPTION**

FIG. 1 is a front perspective view of the mini tower computer housing comprising the present invention;

FIG. 2 is a front view thereof;

FIG. 3 is a left side view thereof;

FIG. 4 is a right side view thereof;

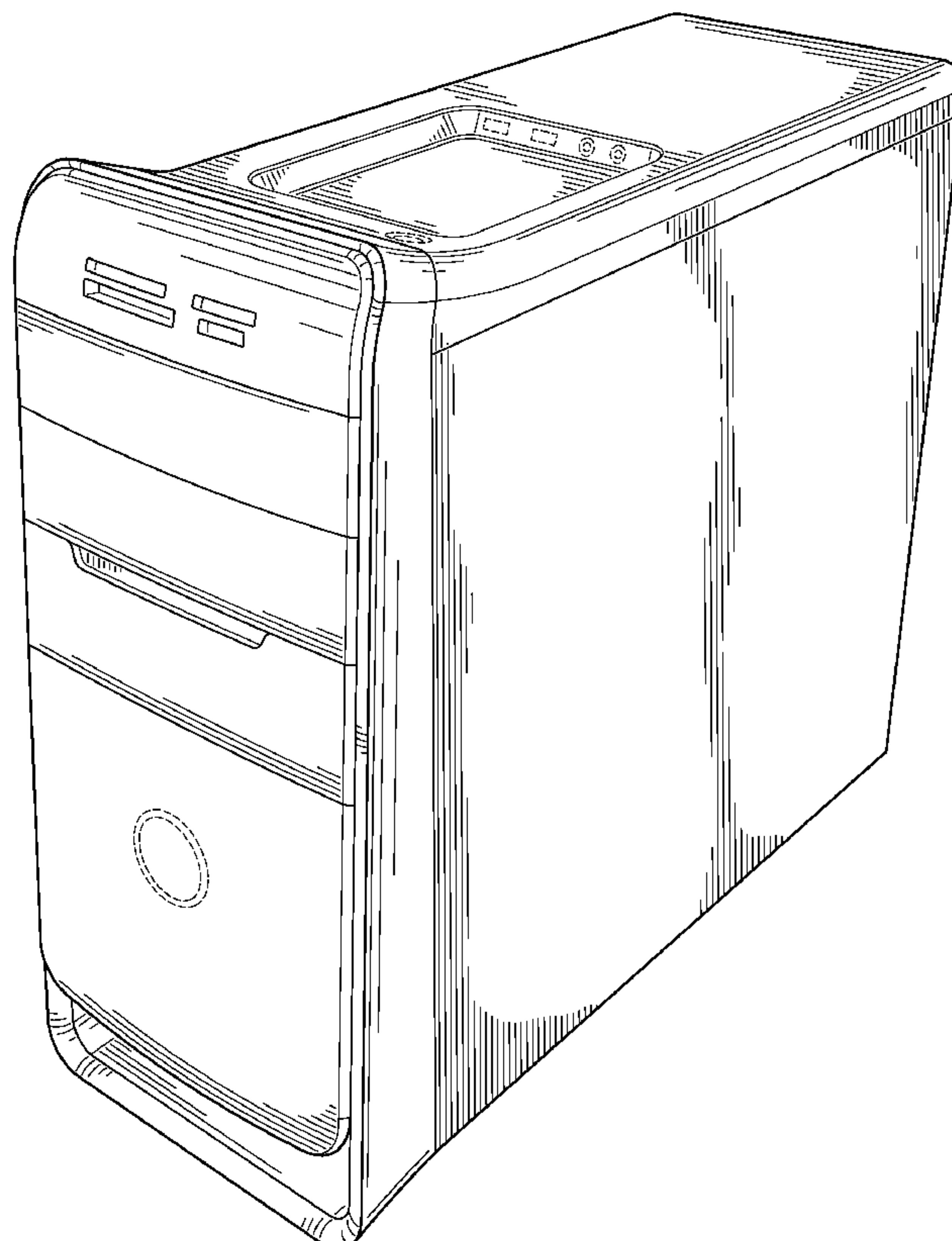
FIG. 5 is a back side view thereof;

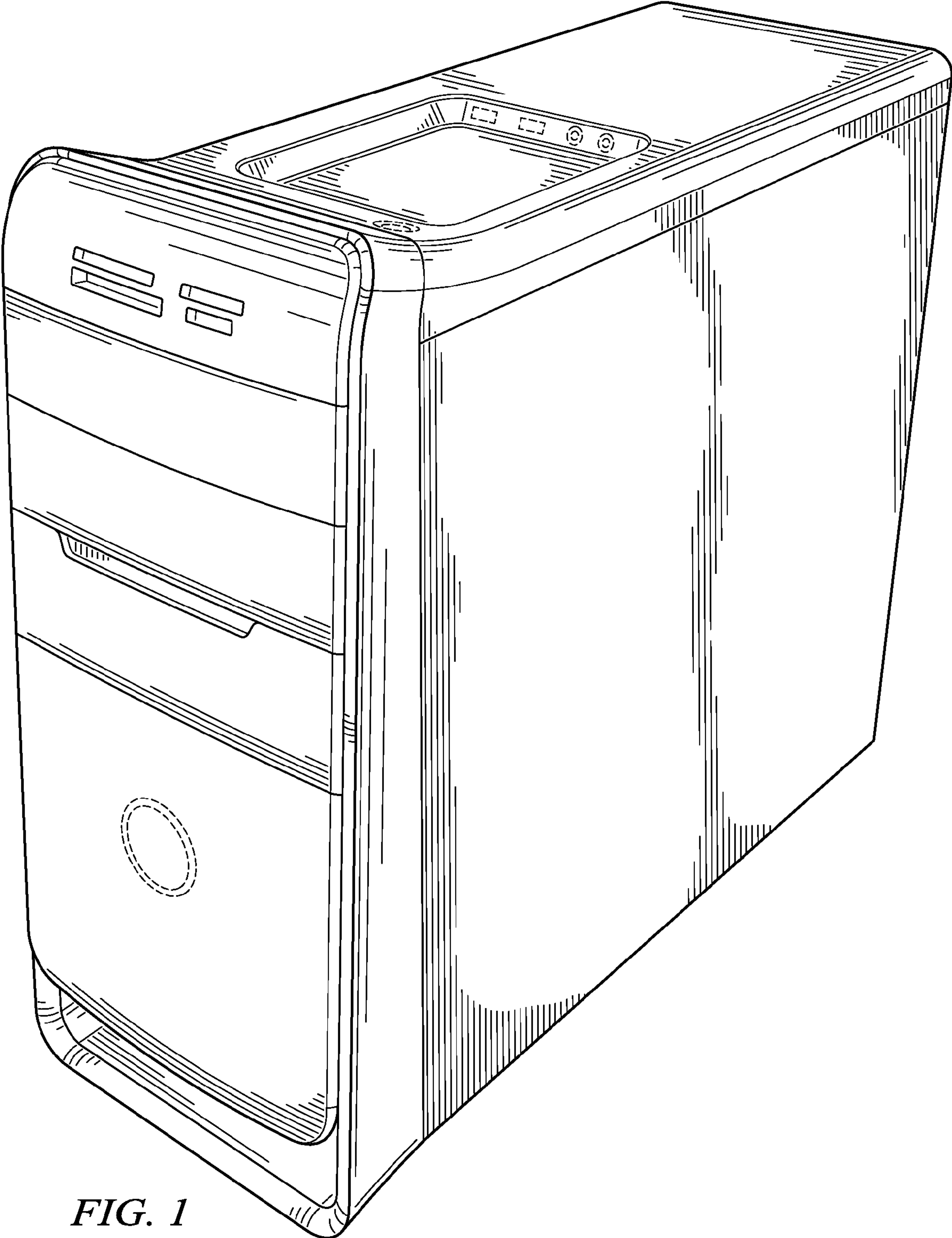
FIG. 6 is a top view thereof; and,

FIG. 7 is a bottom view thereof.

Broken lines shown in the drawings illustrate portions of the information handling system, and form no part of the claimed design.

**1 Claim, 5 Drawing Sheets**





*FIG. 1*

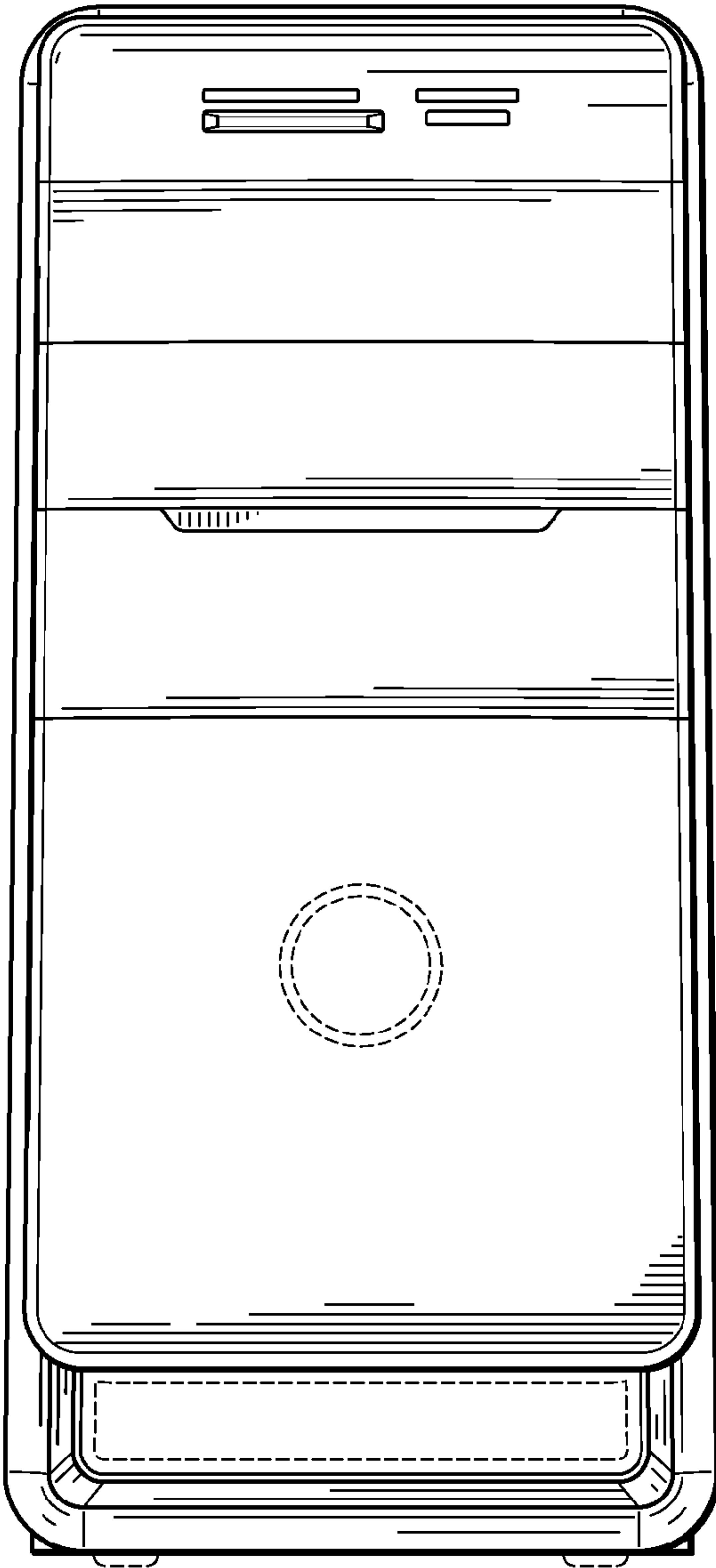


FIG. 2

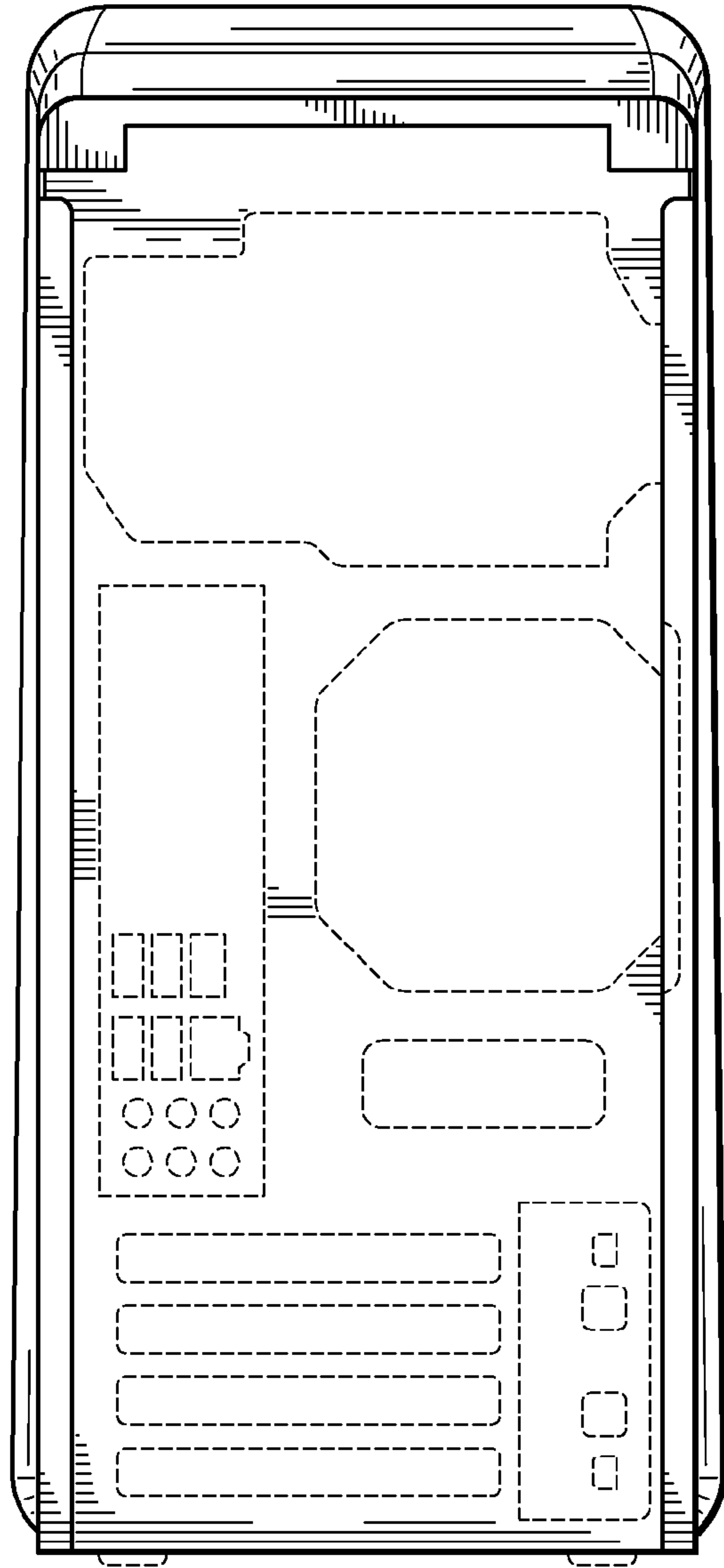


FIG. 5

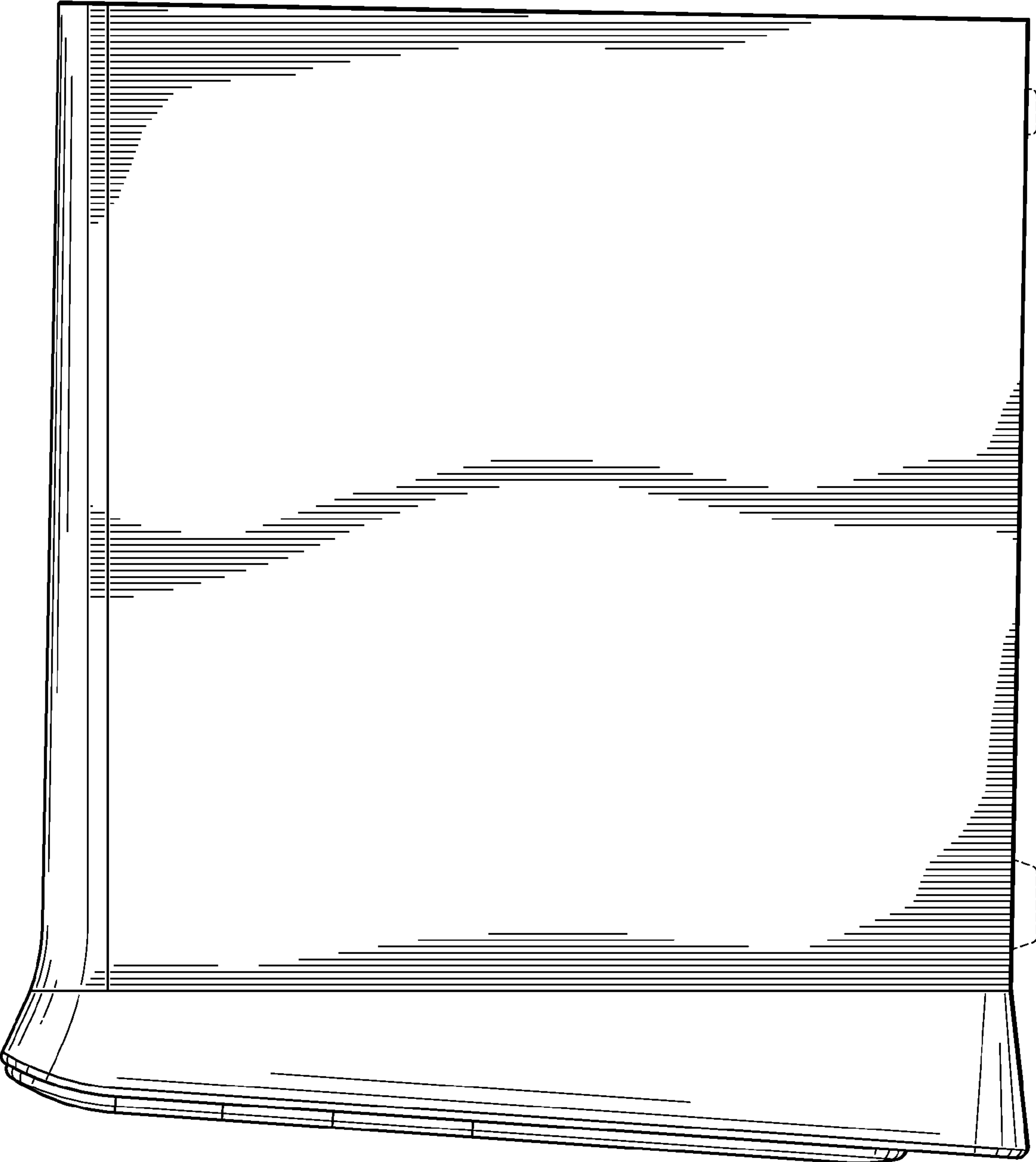
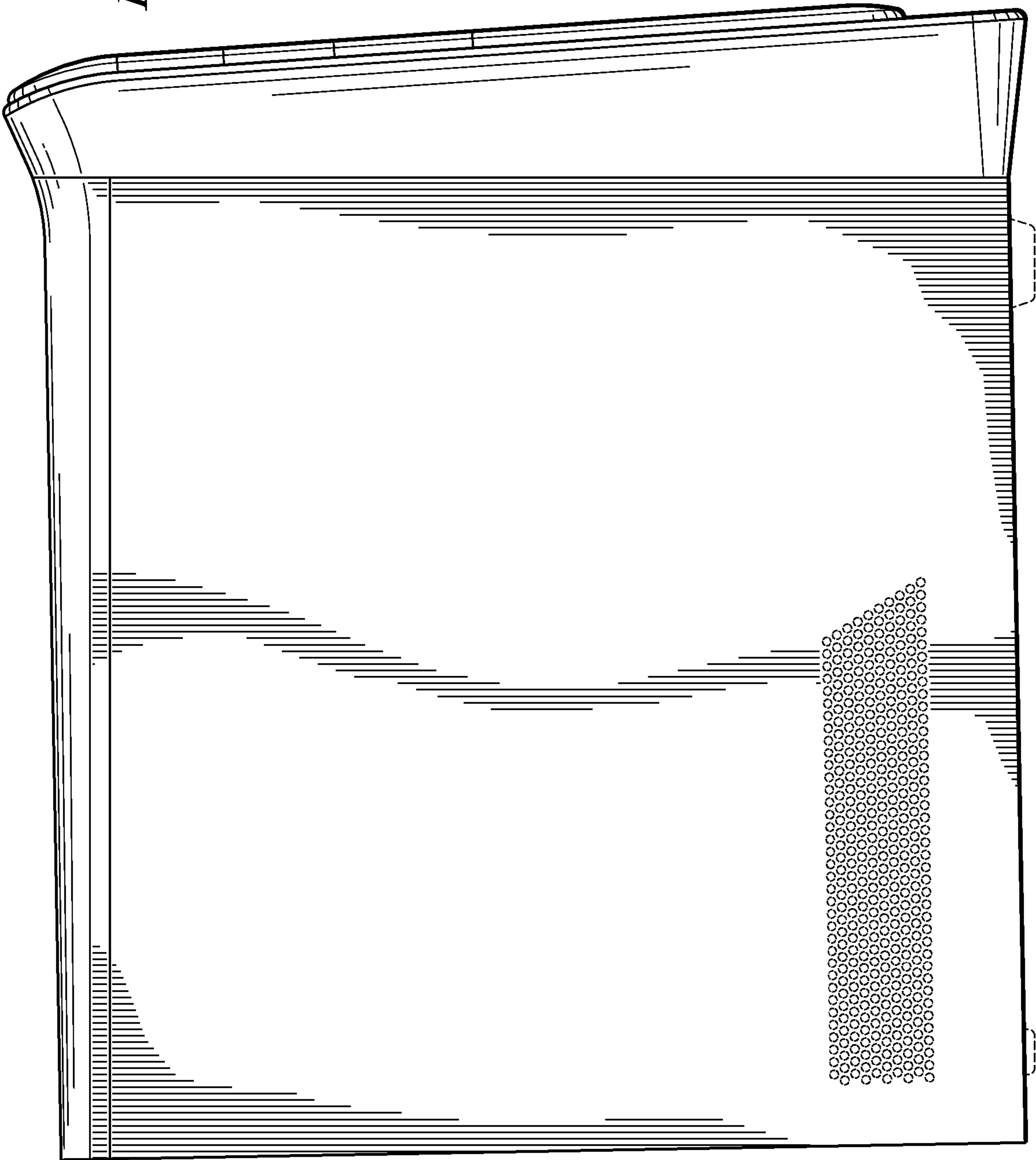


FIG. 3

FIG. 4



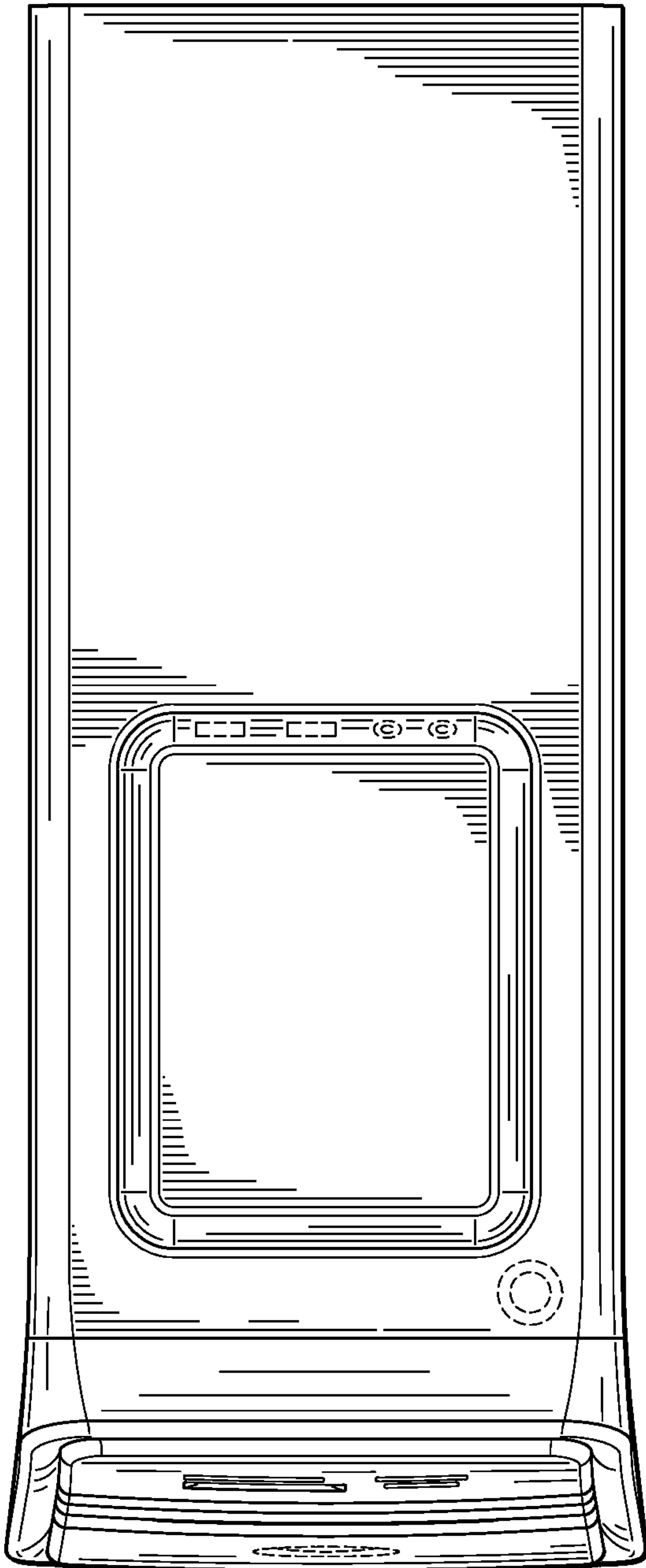


FIG. 6

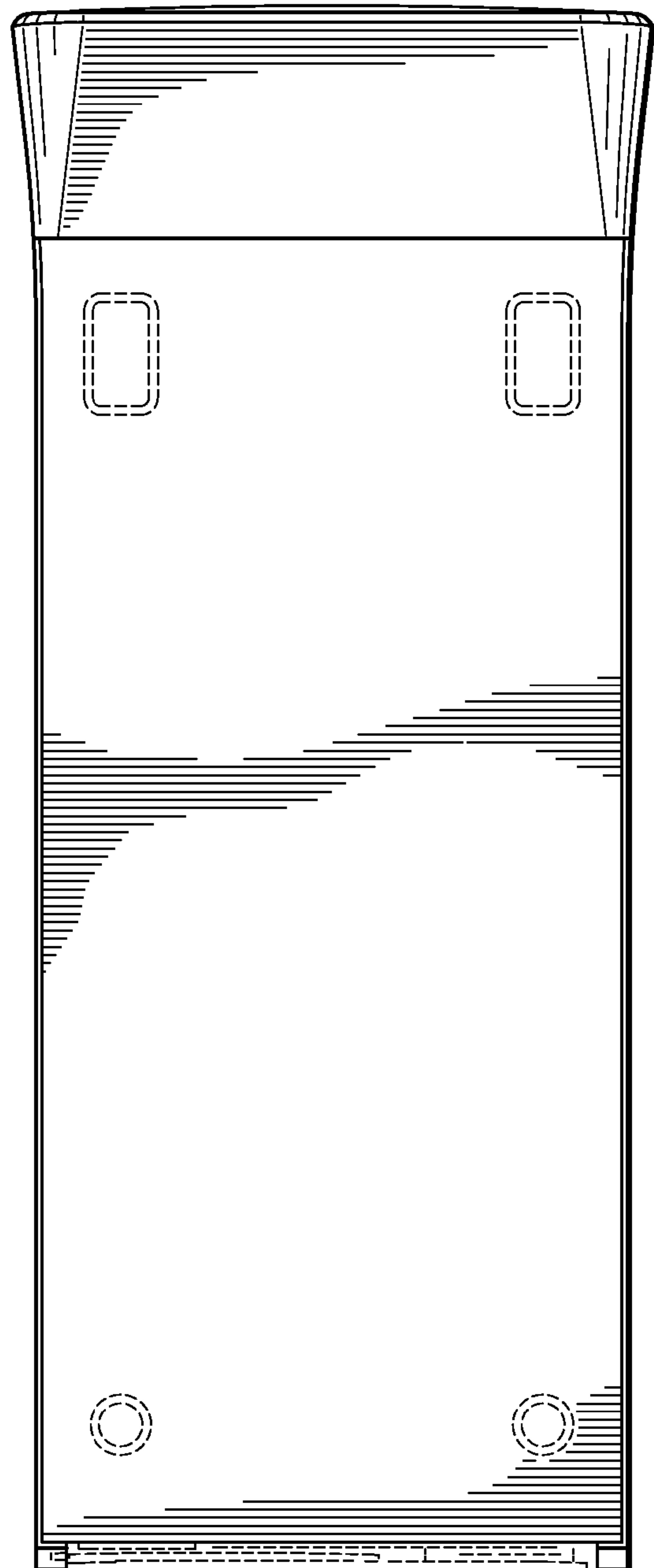


FIG. 7