



US00D613283S

(12) **United States Design Patent**  
**Andre et al.**

(10) **Patent No.:** **US D613,283 S**  
(45) **Date of Patent:** **\*\* Apr. 6, 2010**

(54) **ELECTRONIC DEVICE**

(75) Inventors: **Bartley K. Andre**, Menlo Park, CA (US); **Daniel J. Coster**, San Francisco, CA (US); **Daniele De Iuliis**, San Francisco, CA (US); **Evans Hankey**, San Francisco, CA (US); **Richard P. Howarth**, San Francisco, CA (US); **Jonathan P. Ive**, San Francisco, CA (US); **Duncan Robert Kerr**, San Francisco, CA (US); **Shin Nishibori**, Portola Valley, CA (US); **Matthew Dean Rohrbach**, San Francisco, CA (US); **Peter Russell-Clarke**, San Francisco, CA (US); **Douglas B. Satzger**, Menlo Park, CA (US); **Christopher J. Stringer**, Woodside, CA (US); **Eugene Antony Whang**, San Francisco, CA (US); **Rico Zorkendorfer**, San Francisco, CA (US)

(73) Assignee: **Apple Inc.**, Cupertino, CA (US)

(\*\*) Term: **14 Years**

(21) Appl. No.: **29/345,793**

(22) Filed: **Oct. 22, 2009**

**Related U.S. Application Data**

(63) Continuation of application No. 29/294,332, filed on Jan. 4, 2008, now Pat. No. Des. 604,729.

(51) **LOC (9) Cl.** ..... **14-02**

(52) **U.S. Cl.** ..... **D14/314**

(58) **Field of Classification Search** ..... D14/314, D14/348, 363-369, 353-356; D13/162, D13/184, 199; 312/223.1-223.3; 360/99.01-99.12; 369/34.01, 36.01; 361/679.01

See application file for complete search history.

(56) **References Cited**

**U.S. PATENT DOCUMENTS**

D299,651 S 1/1989 Preussner  
(Continued)

**FOREIGN PATENT DOCUMENTS**

JP 1241895 6/2005  
(Continued)

**OTHER PUBLICATIONS**

Eyegonomic, Eyegonomic Eyebow, www.prweb.com, available at least as early as Mar. 10, 2004.

(Continued)

*Primary Examiner*—Freda S Nunn

(74) *Attorney, Agent, or Firm*—SAIDMAN DesignLaw Group

(57) **CLAIM**

The ornamental design for an electronic device, as shown and described.

**DESCRIPTION**

FIG. 1 is a front, top perspective view of an electronic device showing our new design;

FIG. 2 is rear, bottom perspective view thereof;

FIG. 3 is a front view thereof;

FIG. 4 is a rear view thereof;

FIG. 5 is a left side view thereof;

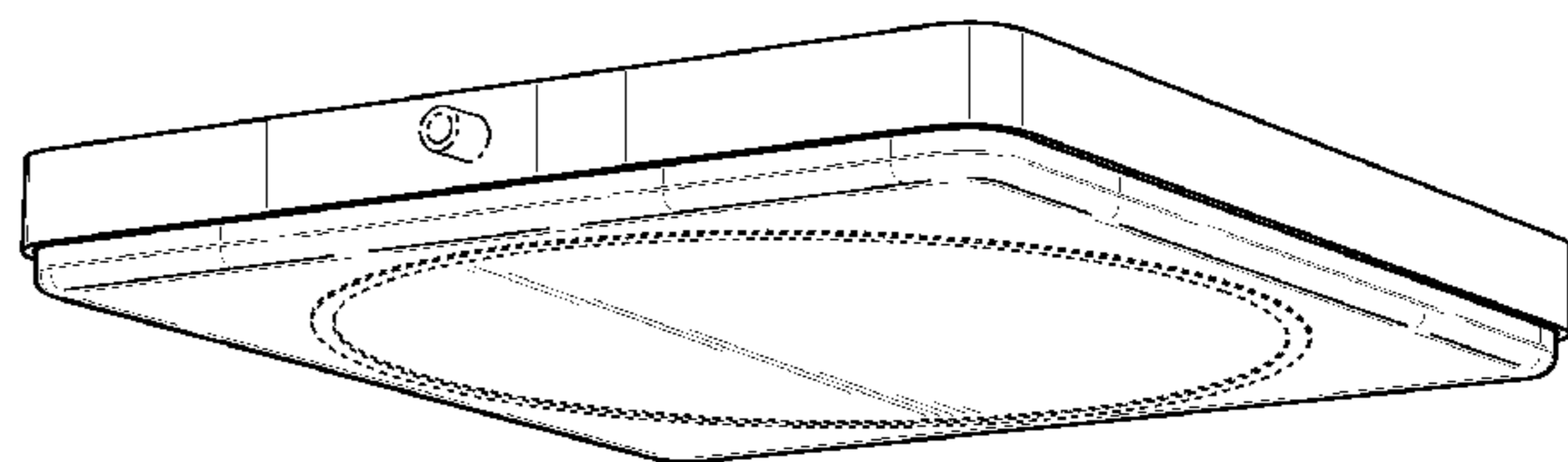
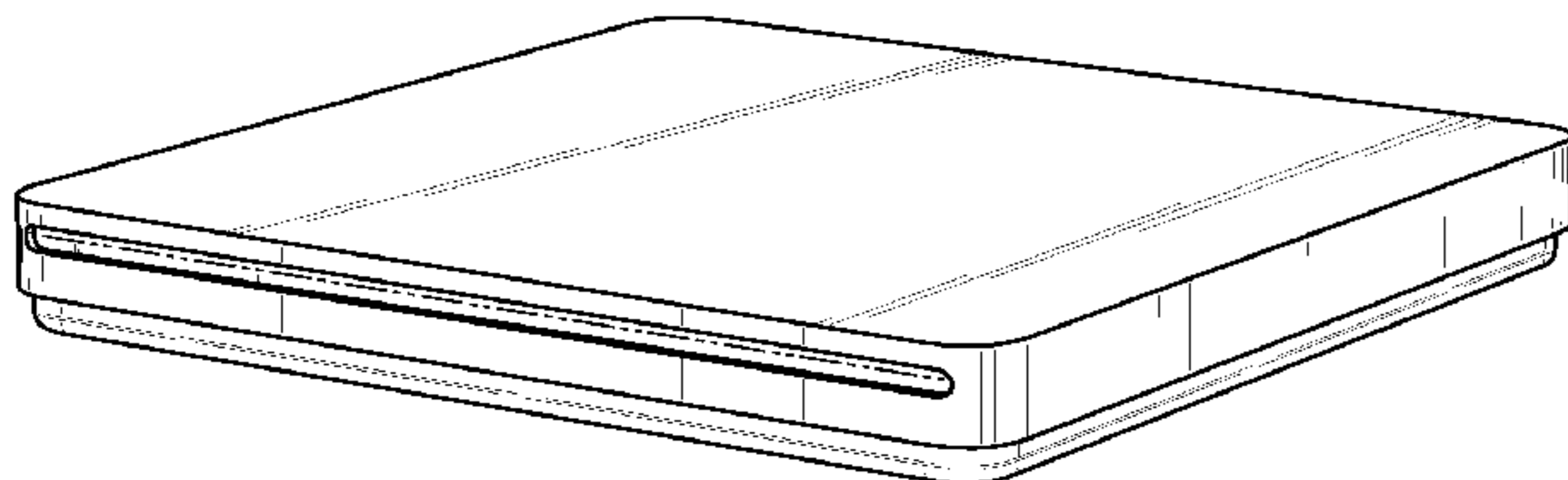
FIG. 6 is a right side view thereof;

FIG. 7 is a top view thereof; and,

FIG. 8 is a bottom view thereof.

The broken line showing is for the purpose of illustrating environmental structure and forms no part of the claimed design.

**1 Claim, 5 Drawing Sheets**



# US D613,283 S

Page 2

## U.S. PATENT DOCUMENTS

D301,470 S 6/1989 Preussner  
D347,212 S \* 5/1994 Riley ..... D14/355  
D373,117 S \* 8/1996 Barthelemy et al. .... D14/353  
D426,831 S \* 6/2000 Hu ..... D14/348  
D435,845 S \* 1/2001 Piersol ..... D14/355  
D461,187 S \* 8/2002 Andre et al. .... D14/356  
D494,579 S \* 8/2004 Chuang et al. .... D14/314  
6,933,928 B1 8/2005 Lilienthal  
D513,617 S 1/2006 Tierney  
D522,531 S 6/2006 Solomon et al.  
D526,648 S 8/2006 Andre et al.  
D533,177 S 12/2006 Andre et al.  
D537,817 S 3/2007 Andre et al.  
D542,288 S 5/2007 Andre et al.  
D544,497 S 6/2007 Kindle et al.  
D558,790 S 1/2008 Andre et al.  
D582,429 S 12/2008 Kusano et al.  
D596,626 S 7/2009 Andre et al.  
D601,583 S 10/2009 Andre et al.  
D601,585 S 10/2009 Andre et al.

D604,729 S \* 11/2009 Andre et al. .... D14/314

## FOREIGN PATENT DOCUMENTS

JP 1241896 6/2005

## OTHER PUBLICATIONS

Eyegonomic, Eyegonomic Eyebox, [www.eyegonomic.com/page=205](http://www.eyegonomic.com/page=205), available at least as early as Feb. 7, 2005.

Green House, Mac Mini, [www.green-house.co.jp](http://www.green-house.co.jp), Nov. 14, 2005.

U.S. Appl. No. 29/266,005 entitled "Media Device" filed Sep. 11, 2006.

Office action dated Apr. 22, 2008 in U.S. Appl. No. 29/266,005 entitled "Media Device".

Office action dated Apr. 23, 2008 in U.S. Appl. No. 29/265,955 entitled "Media Device".

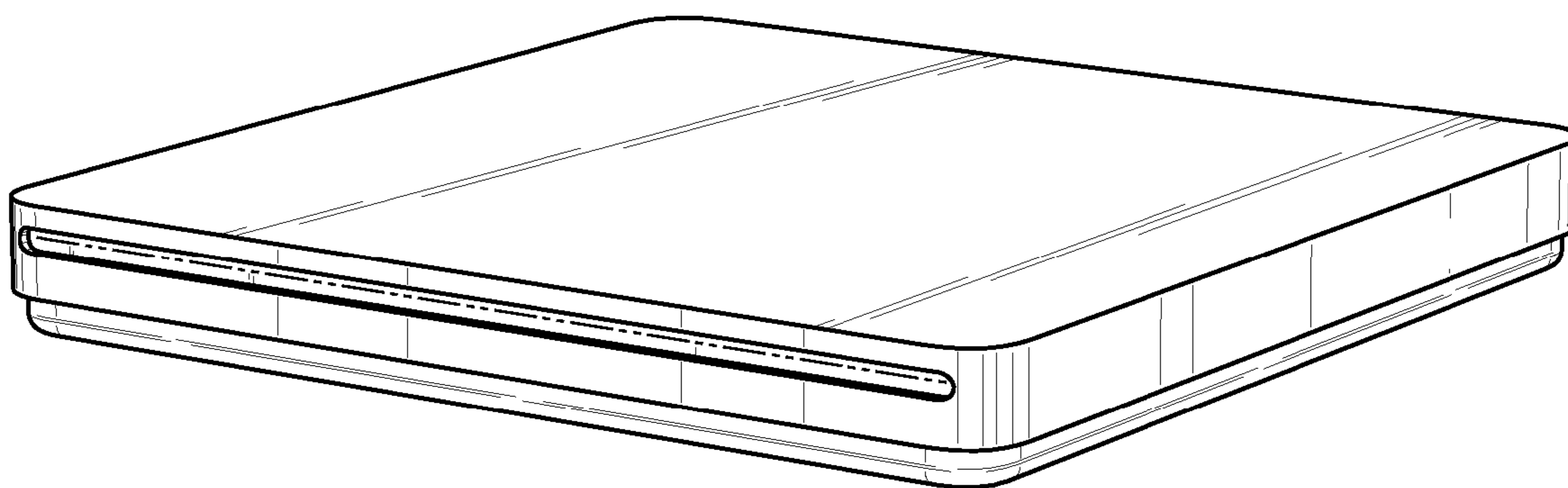
Office action dated Nov. 19, 2008 in U.S. Appl. No. 29/265,955 entitled "Media Device".

Office action dated Nov. 25, 2008 in U.S. Appl. No. 29/266,005 entitled "Media Device".

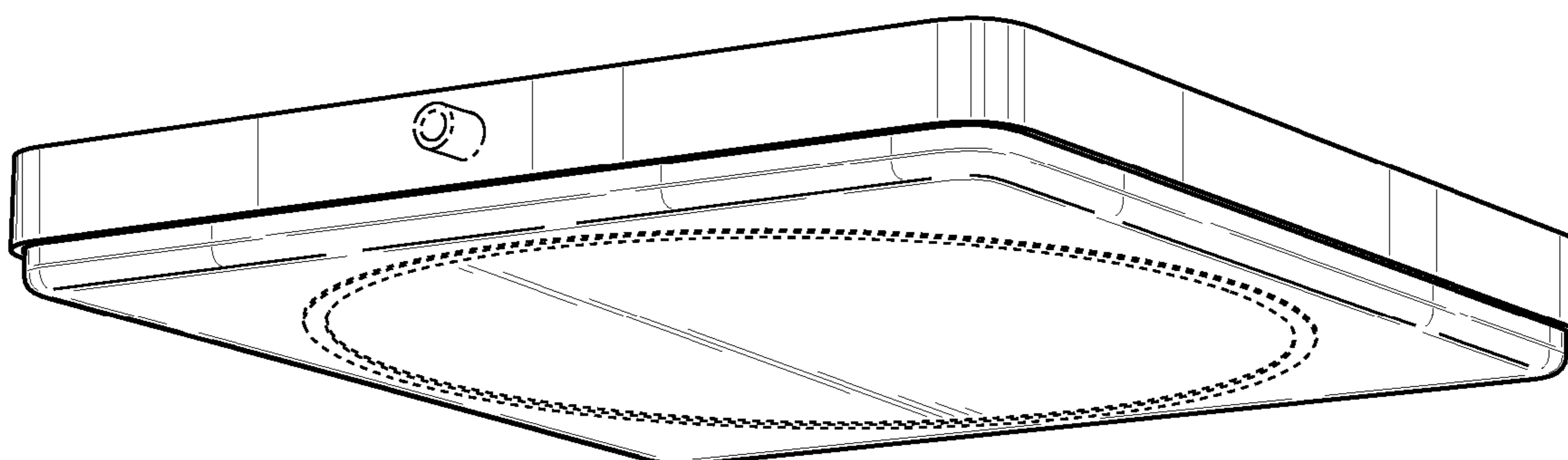
[http://www.amazon.com/gp/product/images/B000CDR8PU/ref=dp\\_othersviews\\_3?ie=UTF8&s=electronics&simg=3](http://www.amazon.com/gp/product/images/B000CDR8PU/ref=dp_othersviews_3?ie=UTF8&s=electronics&simg=3), first available Apr. 2, 2004.

U.S. Appl. No. 29/345,793 entitled "Electronic Device" filed Oct. 22, 2009.

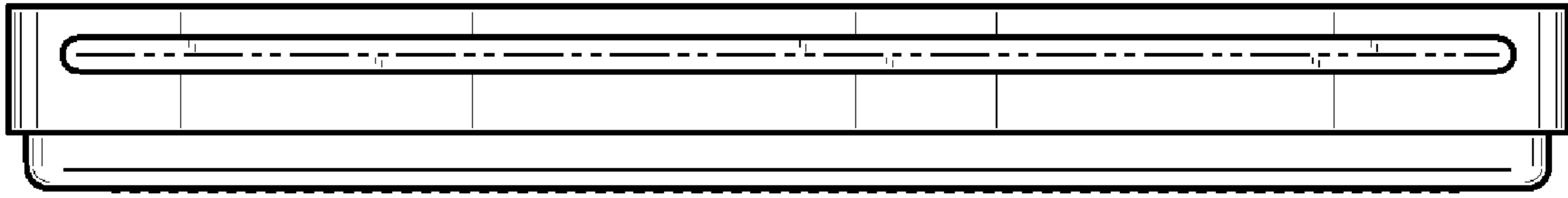
\* cited by examiner



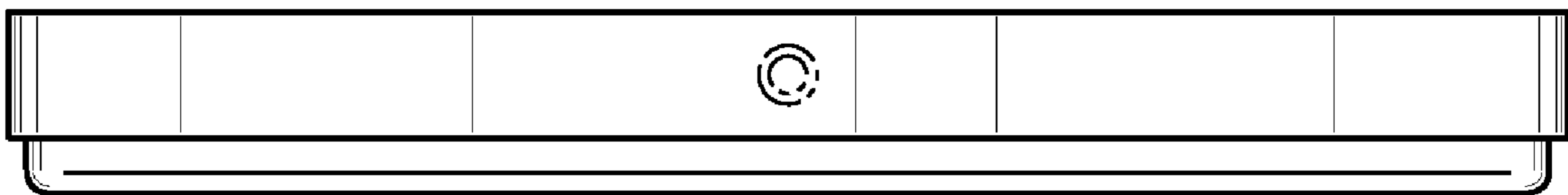
**Fig. 1**



**Fig. 2**



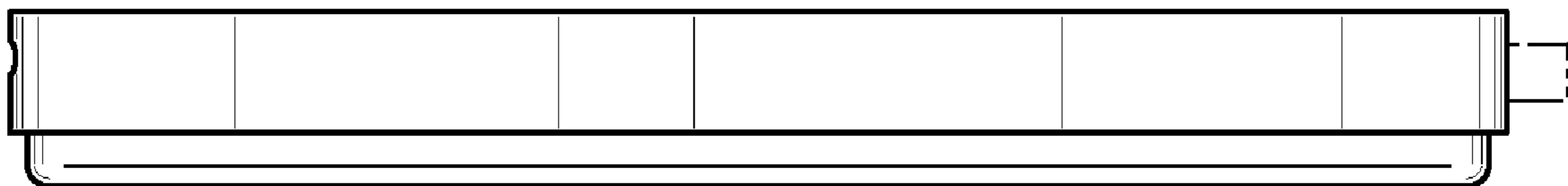
***Fig. 3***



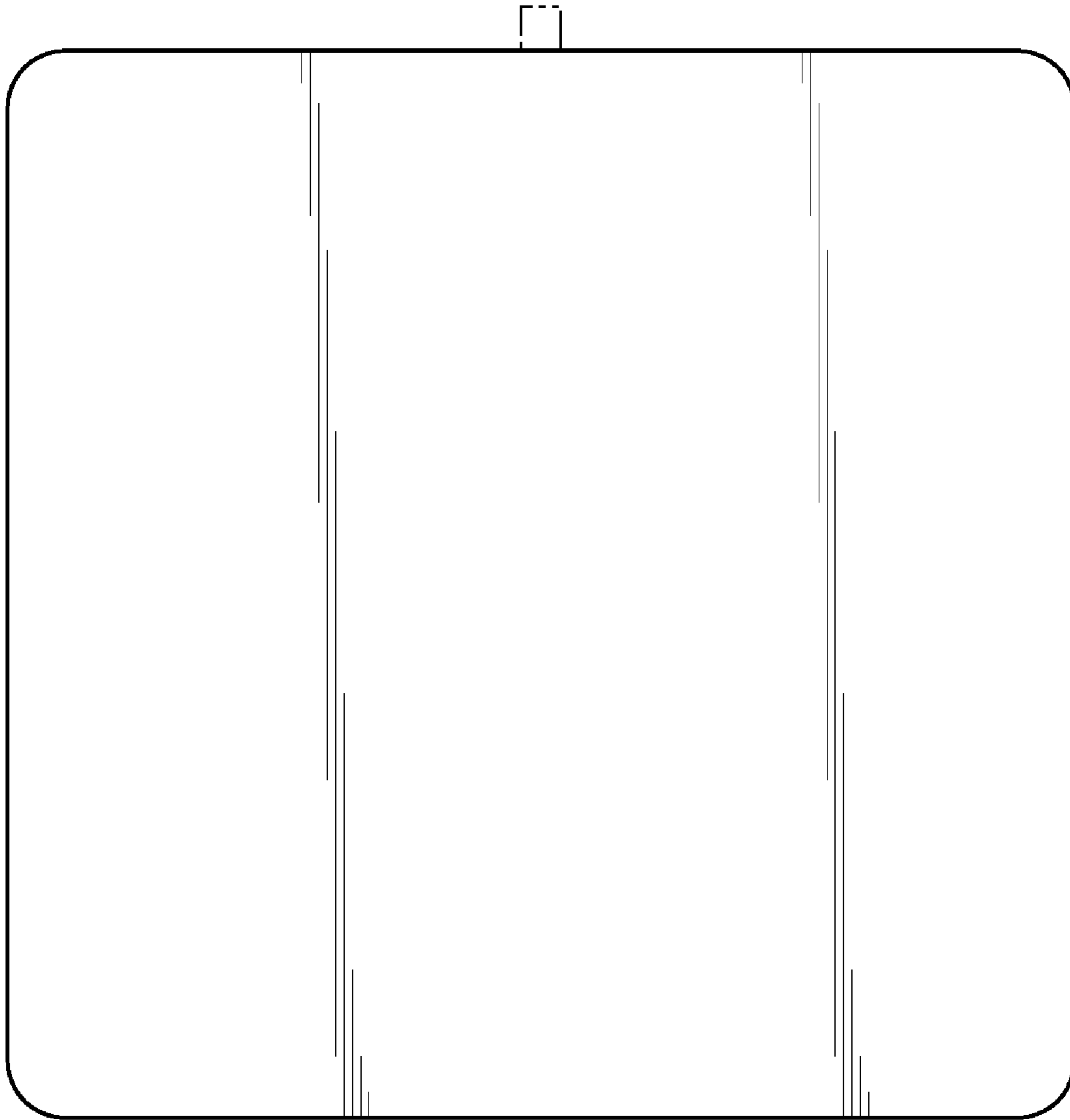
***Fig. 4***



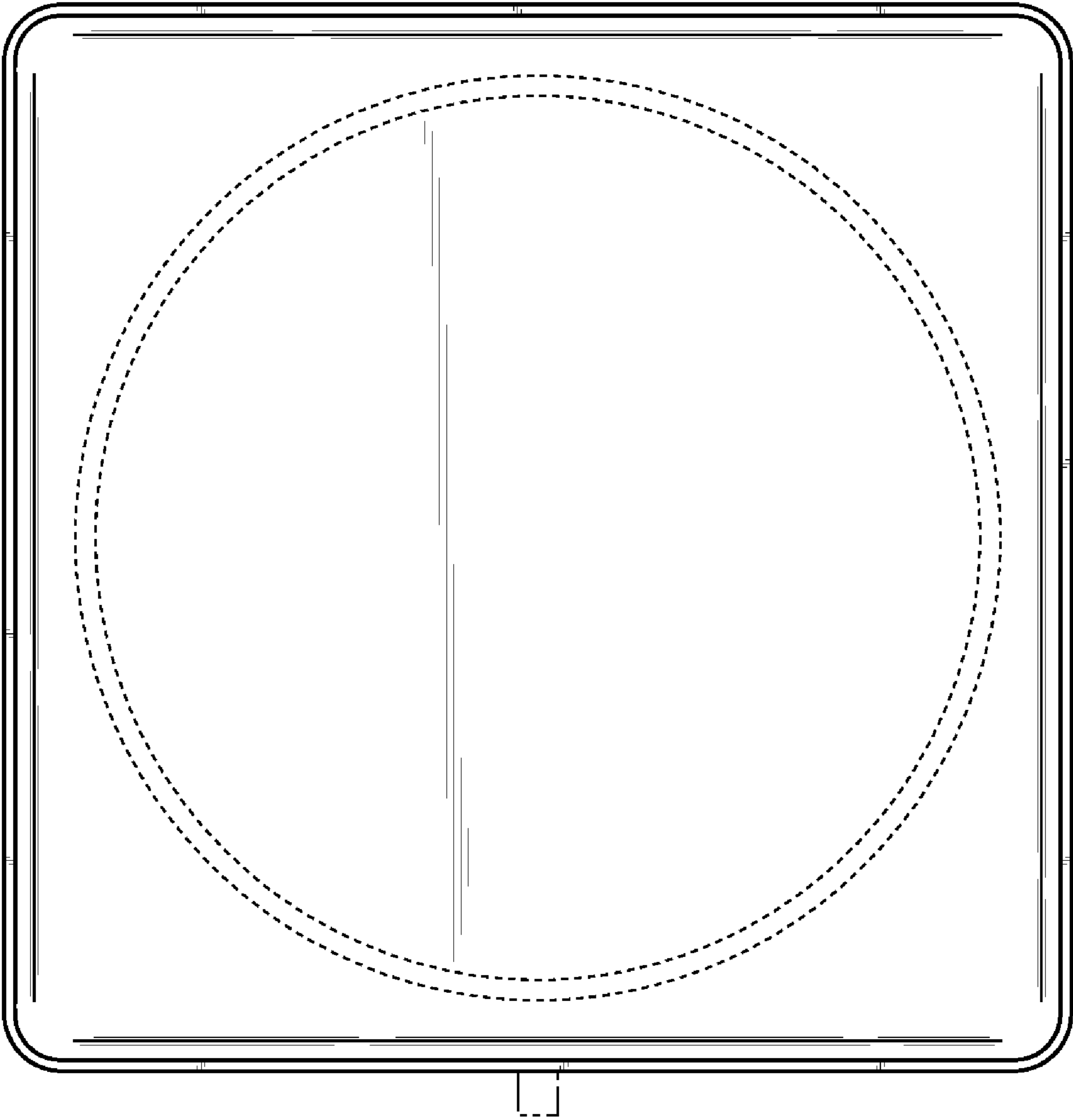
***Fig. 5***



***Fig. 6***



***Fig. 7***



**Fig. 8**