



US00D613280S

(12) **United States Design Patent**
Hou et al.

(10) **Patent No.:** **US D613,280 S**
(45) **Date of Patent:** **** Apr. 6, 2010**

(54) **SHELL FOR AN ELECTRONIC DEVICE**

(75) Inventors: **Qin-Zheng Hou**, Shen-zhen (CN); **Gang Huang**, Shen-zhen (CN); **Yan-Min Wang**, Shen-zhen (CN); **Qiang Wang**, Shen-zhen (CN)

(73) Assignee: **FIH (Hong Kong) Limited**, Kowloon (HK)

(**) Term: **14 Years**

(21) Appl. No.: **29/310,592**

(22) Filed: **Aug. 28, 2008**

(30) **Foreign Application Priority Data**

Aug. 7, 2008 (CN) 2008 3 0301148

(51) **LOC (9) Cl.** **14-03**

(52) **U.S. Cl.** **D14/248**

(58) **Field of Classification Search** D14/138 R, D14/138 AA, 138 AB, 138 AD, 138 C, 138 G, D14/140, 142, 148-149, 167, 240, 242, 248, D14/341-347, 432, 434, 439-440, 447, 452, D14/454, 496; D8/363, 373; D12/415; 248/206.2-206.4, 248/220.21, 279.1; 379/420.04, 426, 433.11, 379/446-447, 454, 455; D13/107-108; D3/200-201, D3/218-219, 269, 228; 224/191, 240; 455/575.1, 455/575.6, 575.8, 575.9; D5/1, 49, 53, 55, D5/59, 61, 62, 63, 99; D19/9, 10, 77, 92; 52/316; 264/53; 162/109; 428/15, 42.2, 428/43, 151, 174, 294.7

See application file for complete search history.

(56) **References Cited**

U.S. PATENT DOCUMENTS

D95,781 S * 5/1935 Schumacher D5/49
D102,269 S * 12/1936 Fowler D5/62
3,536,574 A * 10/1970 Buckley 428/151
3,641,228 A * 2/1972 Fleck 264/53
3,796,586 A * 3/1974 Hanlon 428/151

4,033,082 A * 7/1977 Tashiro 52/316
D263,244 S * 3/1982 Laughlin D19/77
D263,724 S * 4/1982 Laughlin D19/92
4,366,197 A * 12/1982 Hanlon et al. 428/43
4,552,792 A * 11/1985 Julian et al. 428/42.2
4,610,900 A * 9/1986 Nishibori 428/15
4,726,881 A * 2/1988 Schultz 162/109
D414,611 S * 10/1999 Barnholtz et al. D5/53
6,699,576 B2 * 3/2004 Peng et al. 428/294.7
D490,419 S * 5/2004 Shiue et al. D14/341
D505,450 S * 5/2005 Lauer et al. D19/9
D573,182 S * 7/2008 Ricketts et al. D19/10

(Continued)

OTHER PUBLICATIONS

Agent18 ForceShield Silicone Skin Cover for iPod nano, <URL:http://www.daydeal.com/product.php?productid=37652&cat=4532>, retrieved from internet Nov. 22, 2009.*
SwitchEasy CapsuleRebel Cover for iPhone 3G & 3GS, Celestial SW-CAP-REB-C, <URL:http://www.daydeal.com/product.php?productid=36316&cat=3449>, retrieved from internet Nov. 22, 2009.*

(Continued)

Primary Examiner—Ian Simmons
Assistant Examiner—Carla Jobe Wright
(74) *Attorney, Agent, or Firm*—Steven M. Reiss

(57) **CLAIM**

The ornamental design for a shell for an electronic device, as shown and described.

DESCRIPTION

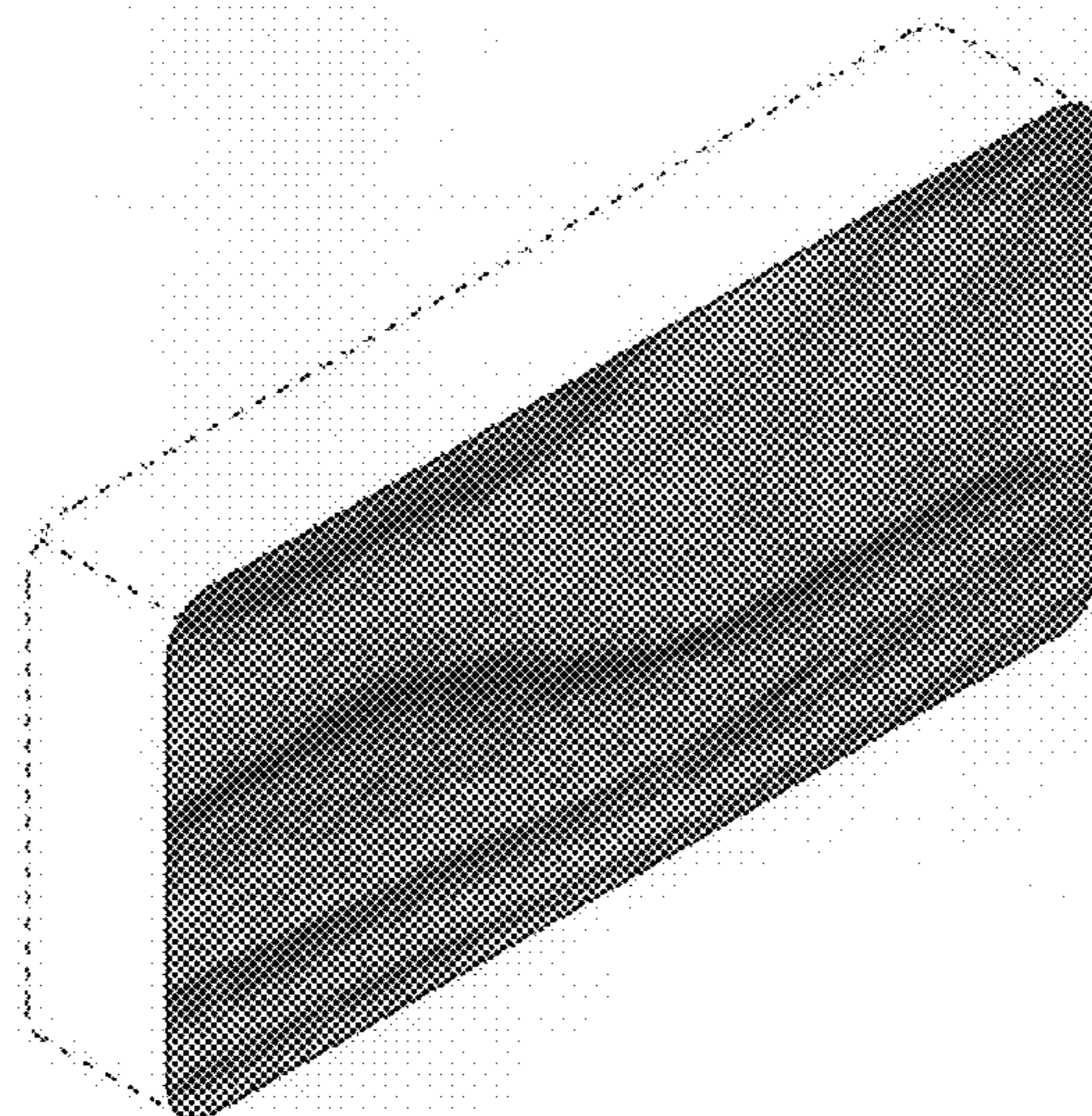
FIG. 1 is a perspective view of a shell for an electronic device showing our new design;

FIG. 2 is a front elevational view thereof; and,

FIG. 3 is a second perspective view thereof.

The broken lines are for illustrative purposes only and form no part of the claimed design.

1 Claim, 3 Drawing Sheets



US D613,280 S

Page 2

U.S. PATENT DOCUMENTS

D579,213 S * 10/2008 Aipa D5/53
D581,151 S * 11/2008 Aipa D3/201
D587,896 S * 3/2009 Aipa D3/201
2003/0108717 A1* 6/2003 Sjoberg 428/151
2004/0038002 A1* 2/2004 Franco et al. 428/151

2006/0216481 A1* 9/2006 Suzuki 428/174

OTHER PUBLICATIONS

Vers Wood Infocase for iPhone 3G 3GS & 1st gen, Cherry,
<URL:<http://www.daydeal.com/product.php?productid=37759>,
retrieved from internet Nov. 22, 2009.*

* cited by examiner

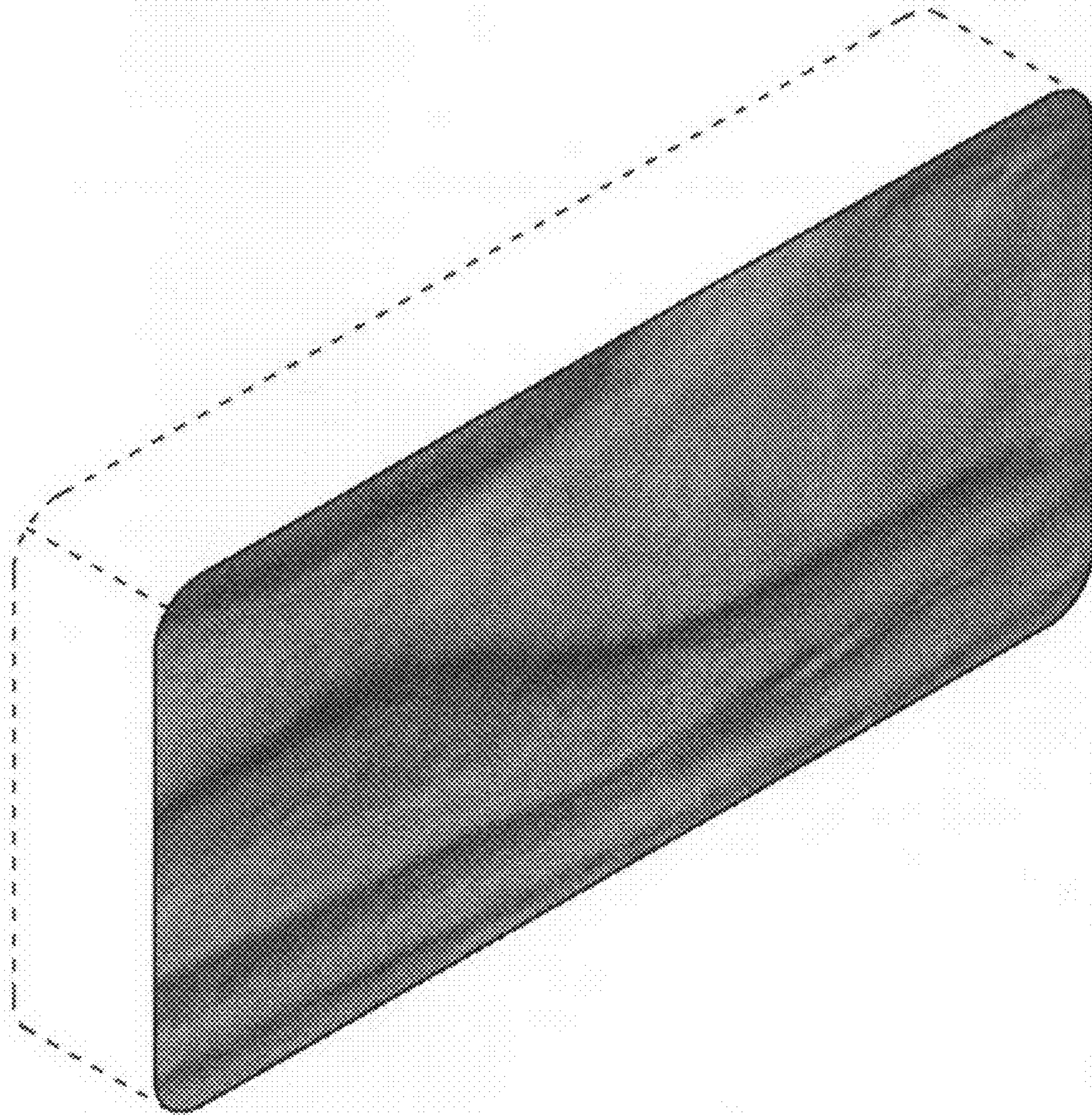


FIG. 1

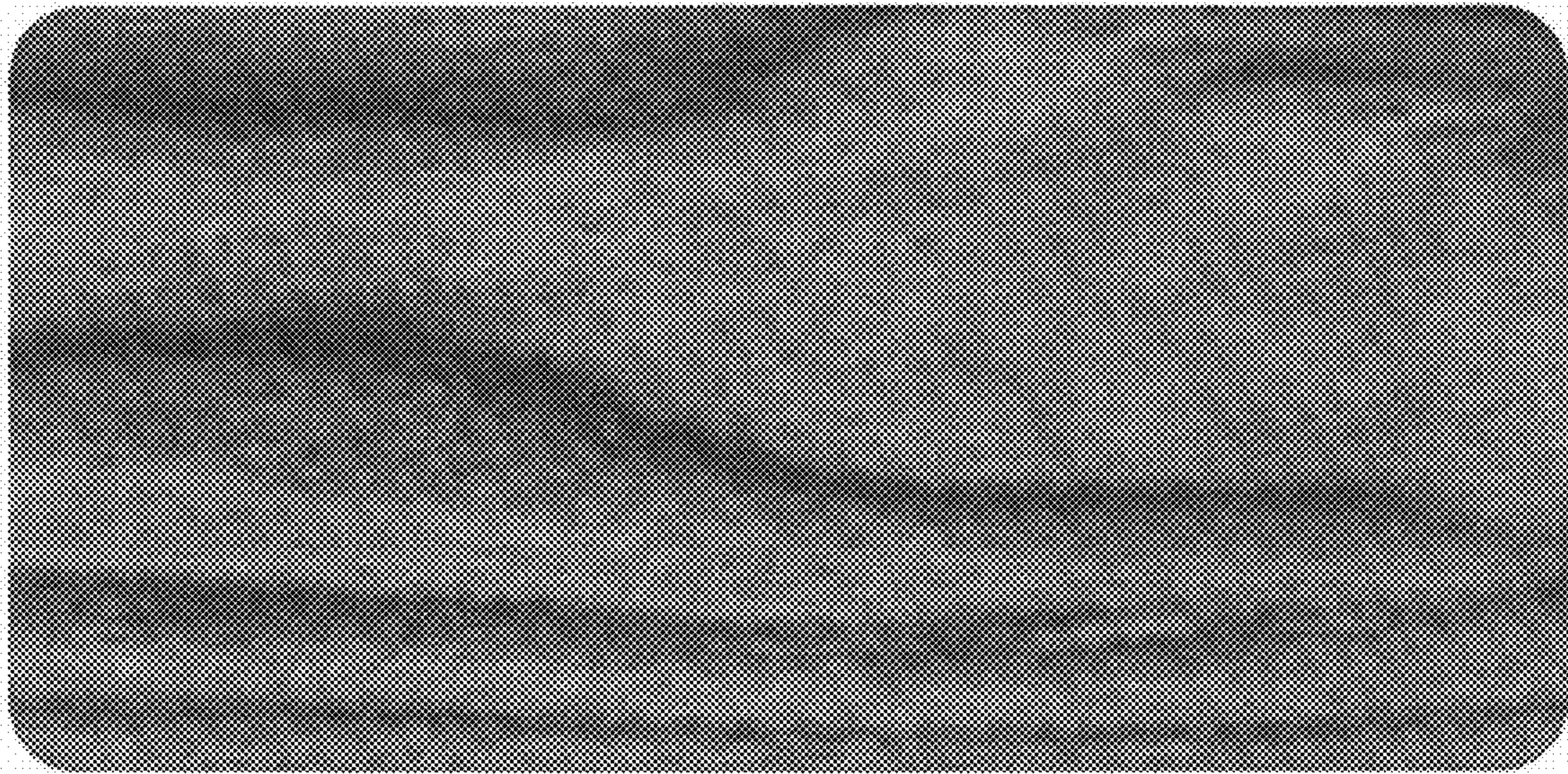


FIG. 2

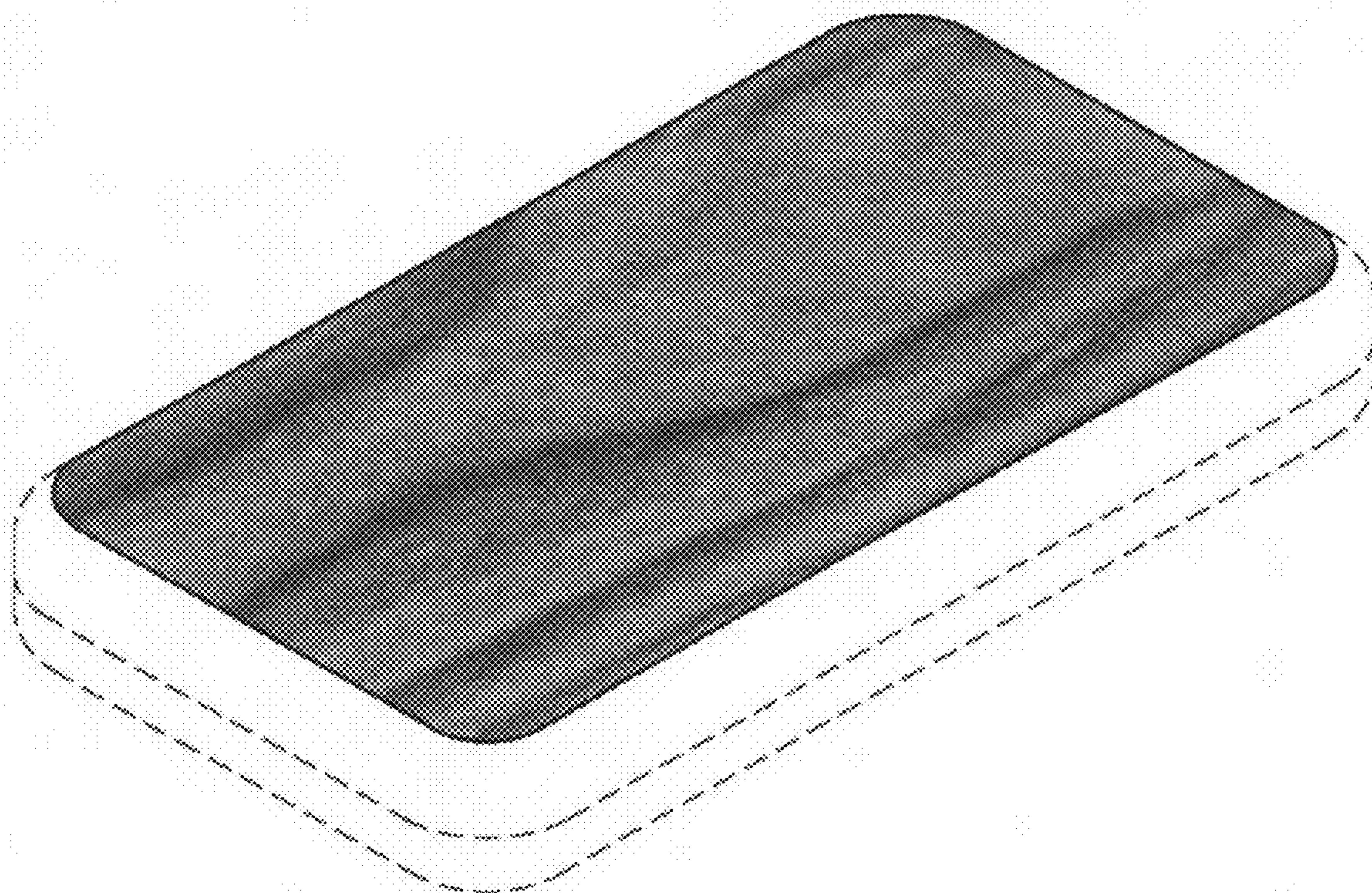


FIG. 3