



US00D613279S

(12) **United States Design Patent**  
**Du et al.**

(10) **Patent No.:** **US D613,279 S**  
(45) **Date of Patent:** **\*\* Apr. 6, 2010**

(54) **SHELL OF ELECTRONIC DEVICE**

(75) Inventors: **Qiao-Hua Du**, Shenzhen (CN);  
**Xiao-Ming Zhu**, Shenzhen (CN)

(73) Assignee: **FIH (Hong Kong) Limited**, Kowloon  
(HK)

(\*\*) Term: **14 Years**

(21) Appl. No.: **29/310,513**

(22) Filed: **Aug. 21, 2008**

(30) **Foreign Application Priority Data**

Mar. 27, 2008 (CN) ..... 2008 3 0300326.1

(51) **LOC (9) Cl.** ..... **14-03**

(52) **U.S. Cl.** ..... **D14/248**

(58) **Field of Classification Search** ..... D14/138 R,  
D14/138 AA, 138 AB, 138 AD, 138 C, 138 G,  
D14/140, 142, 148-149, 167, 240, 242, 248,  
D14/341-347, 432, 434, 439-440, 447, 452,  
D14/454, 496; D8/363, 373; D12/415;  
248/206.2-206.4, 220.21, 279.1; 379/420.04,  
379/426, 433.11, 446-447, 454, 455; D13/107-108;  
D3/200-201, 218-219, 269, 228; 224/191,  
224/240; 455/575.1, 575.6, 575.8, 575.9;  
D5/1-4, 15, 51-53, 55, 59, 61, 62, 63, 99;  
D19/9-10, 77, 92; 52/316; 264/53; 162/109;  
428/15, 42.2, 43, 151, 174, 294.7  
See application file for complete search history.

(56) **References Cited**

**U.S. PATENT DOCUMENTS**

D78,000 S \* 3/1929 Heinke ..... D5/59  
D78,303 S \* 4/1929 Miller ..... D5/59  
D78,623 S \* 5/1929 Grulich ..... D5/59  
D82,744 S \* 12/1930 Hamill ..... D5/61  
D88,051 S \* 10/1932 Willheim ..... D5/62  
D88,563 S \* 12/1932 Lukas ..... D5/61  
D102,269 S \* 12/1936 Fowler ..... D5/62  
D109,440 S \* 4/1938 Sluizer ..... D5/59  
D124,286 S \* 12/1940 Singerman ..... D5/99

D132,038 S \* 4/1942 Zimmerman ..... D5/59  
D133,530 S \* 8/1942 Hiltenbrand ..... D5/52  
D182,574 S \* 4/1958 Drewsen ..... D5/59  
D185,723 S \* 7/1959 Sylvester ..... D5/52  
3,536,574 A \* 10/1970 Buckley ..... 428/151  
D222,775 S \* 12/1971 Sartori ..... D6/494  
D304,983 S \* 12/1989 Palka ..... D6/492  
D320,506 S \* 10/1991 Nasser ..... D5/62  
D490,419 S \* 5/2004 Shiue et al. .... D14/341  
D555,806 S \* 11/2007 Berryman ..... D25/48  
D584,881 S \* 1/2009 Curran ..... D2/717  
D589,955 S \* 4/2009 Shi et al. .... D14/346

(Continued)

**OTHER PUBLICATIONS**

GelaSkin for iPod touch (2nd gen), Red Metal, <URL:http://www.daydeal.com/product.php?productid=37552&cat=4629>, retrieved from internet Nov. 25, 2009.\*

(Continued)

*Primary Examiner*—Ian Simmons  
*Assistant Examiner*—Carla Jobe Wright  
(74) *Attorney, Agent, or Firm*—Steven M. Reiss

(57) **CLAIM**

The ornamental design for a shell of electronic device, as shown and described.

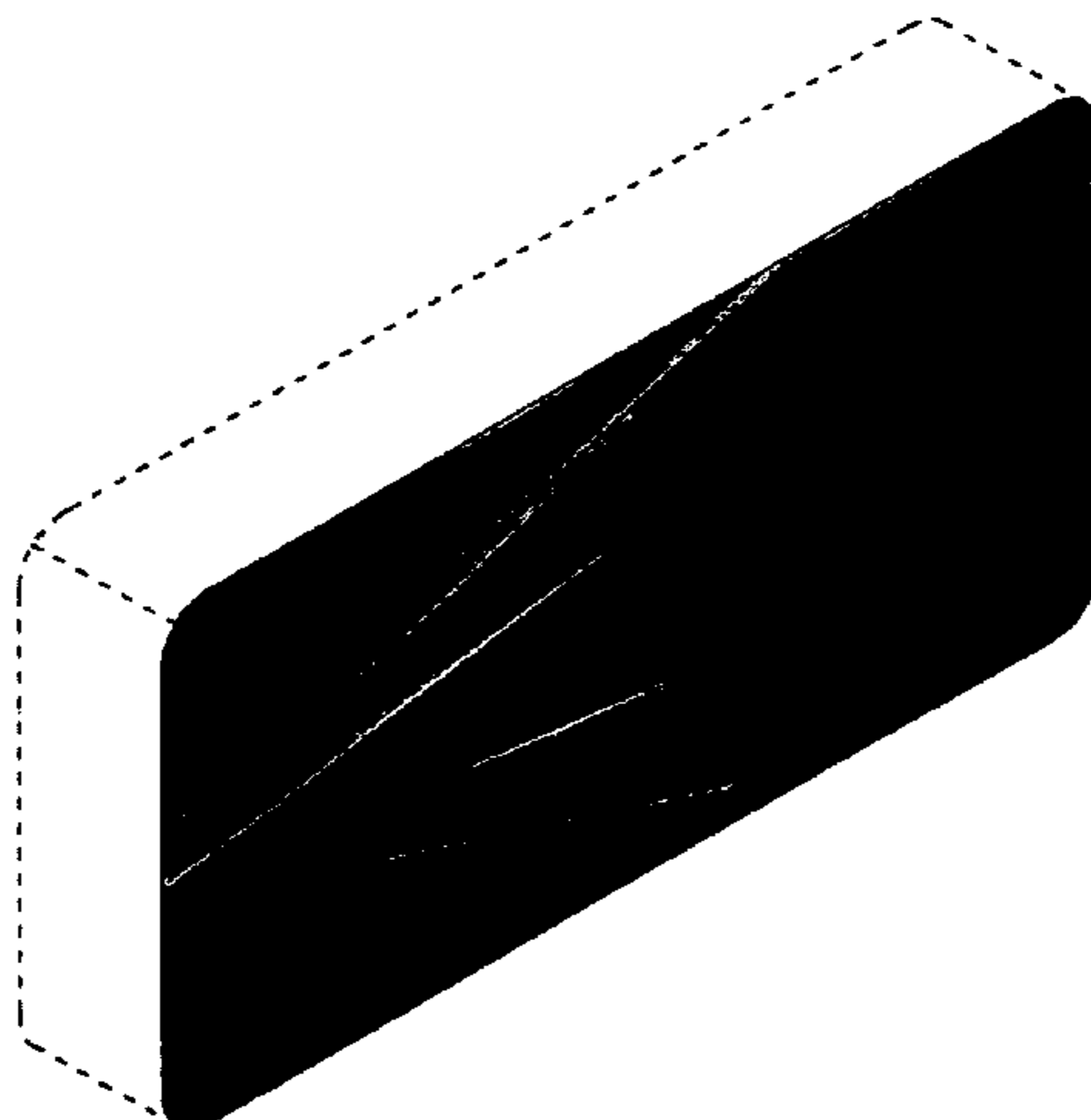
**DESCRIPTION**

FIG. 1 is a perspective view of a shell of an electronic device showing our new design; and,

FIG. 2 is a front elevational view thereof.

The broken lines are for illustrative purposes only and forms no part of the claimed design.

**1 Claim, 2 Drawing Sheets**



# US D613,279 S

Page 2

---

## U.S. PATENT DOCUMENTS

D593,533 S \* 6/2009 Seo ..... D14/138 AB  
D604,429 S \* 11/2009 McCarthy et al. .... D25/103  
D604,727 S \* 11/2009 Chu et al. .... D14/248

## OTHER PUBLICATIONS

Agent18 ShockShield Silicone Skin Cover for iPhone 3G & 3GS, Orange A18IPSS3/L, <URL:<http://www.daydeal.com/product.php?productid=37193&cat=3449>>, retrieved from internet Nov. 25, 2009.\*

Kyocera Melo S1300 Lime Green w/Circular Lines Snap-On Protector Case Faceplate, <URL:<http://www.wirelessemporium.com/products/kyocera-qualcomm-melo-s1300-faceplates-covers-kyocera-melo-s1300-lime-green-w-circular-lines-snap-on-protector-case-faceplate.asp>>, retrieved from internet Nov. 25, 2009.\*

Chrystal Glow Blue for the iPhone 3G / 3GS, <URL:[http://www.skinit.com/details.php?resourceid=7971&partentcat=graphic\\_designs/abstract\\_graphics/](http://www.skinit.com/details.php?resourceid=7971&partentcat=graphic_designs/abstract_graphics/)>, retrieved from internet Nov. 28, 2009.\*

\* cited by examiner

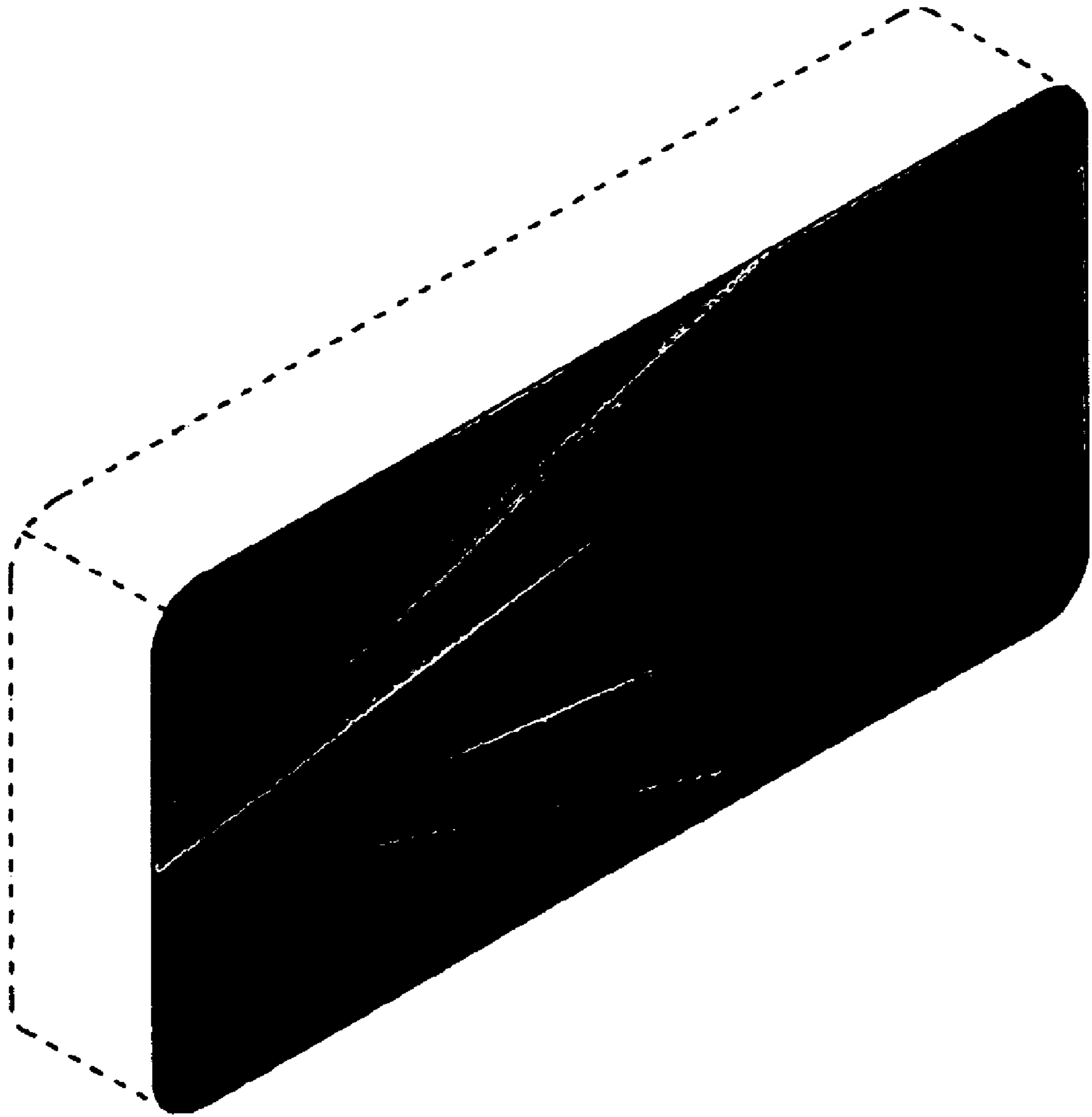


FIG. 1

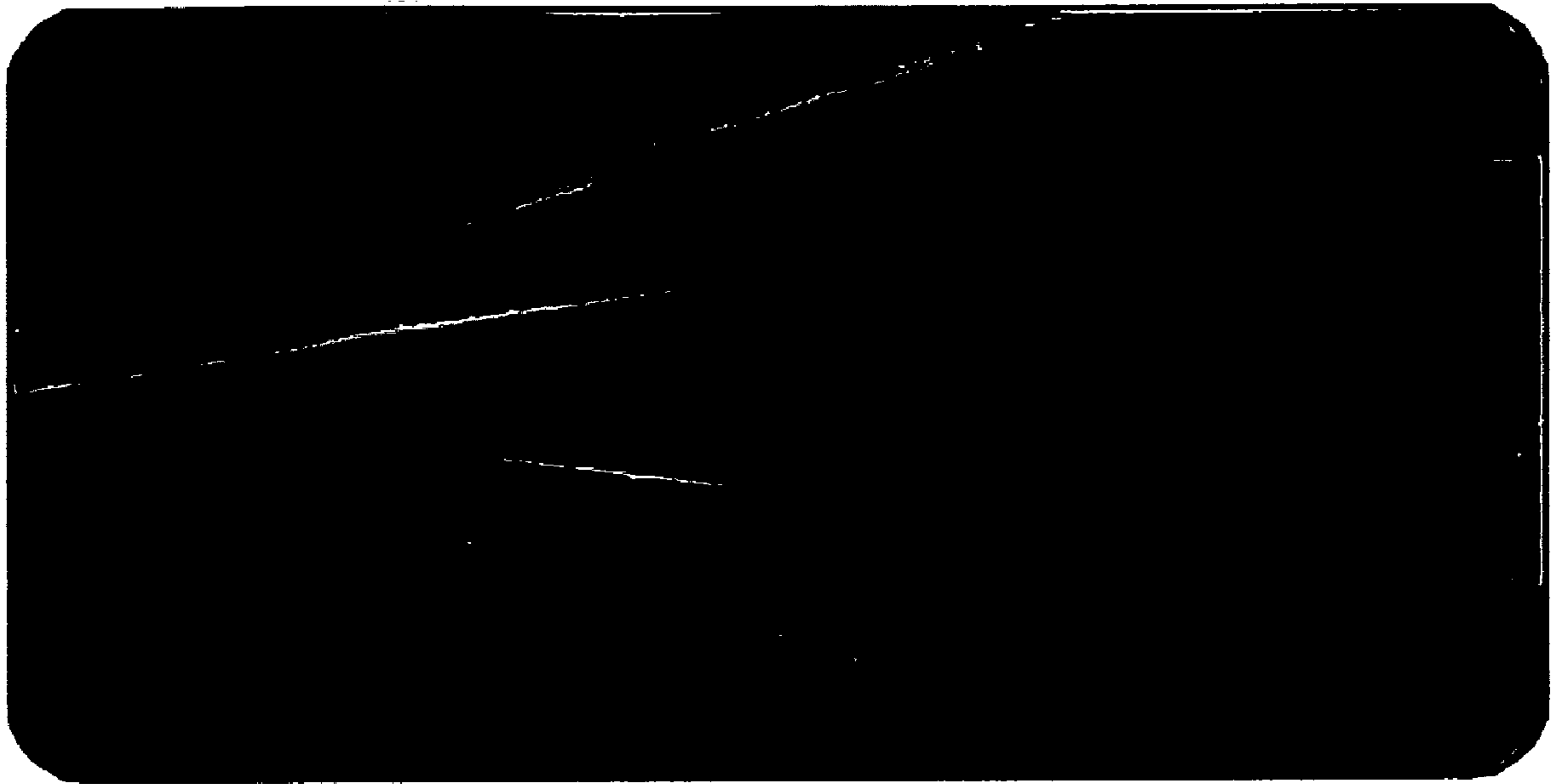


FIG. 2