



US00D613270S

(12) **United States Design Patent**  
**Cooper et al.**

(10) **Patent No.:** **US D613,270 S**

(45) **Date of Patent:** **\*\* Apr. 6, 2010**

(54) **AUDIO INPUT/OUTPUT DEVICE**

(75) Inventors: **Jason J. Cooper**, Watertown, MA (US);  
**John P. Devlin**, Tewksbury, MA (US);  
**Jan Schminke**, Marshfield, MA (US);  
**Richard C. Watson**, Norwell, MA (US);  
**David O. Swett**, Waltham, MA (US);  
**Robin M. Urry**, Draper, UT (US);  
**Christopher M. Belcher**, Lehi, UT  
(US); **Roger T. Johnsen**, Salt Lake City,  
UT (US)

(73) Assignee: **Harman International Industries,  
Incorporated**, Northridge, CA (US)

(\*\*) Term: **14 Years**

(21) Appl. No.: **29/345,526**

(22) Filed: **Oct. 16, 2009**

**Related U.S. Application Data**

(62) Division of application No. 29/329,002, filed on Dec.  
5, 2008.

(51) **LOC (9) Cl.** ..... **14-01**

(52) **U.S. Cl.** ..... **D14/217; D13/123**

(58) **Field of Classification Search** ..... D14/142,  
D14/149, 155, 157, 188, 193–198, 203.1–203.8,  
D14/217, 251, 253, 432–435.1, 447, 451,  
D14/474, 480.1–480.7, 496; 381/1, 2, 86,  
381/120; 455/556.1–556.2, 557, 344–351;  
D13/123, 147, 162, 162.1, 163, 164, 184  
See application file for complete search history.

(56) **References Cited**

**U.S. PATENT DOCUMENTS**

- D236,212 S \* 8/1975 Beigel et al. .... D17/99
- D312,625 S \* 12/1990 Wetzel ..... D18/12.2
- D400,877 S \* 11/1998 Miyazaki ..... D14/167
- D413,593 S \* 9/1999 Suzuki et al. .... D14/399
- D443,586 S \* 6/2001 Sakasegawa ..... D13/123
- D463,401 S \* 9/2002 Miyazaki ..... D14/217

- D467,543 S \* 12/2002 Sakasegawa ..... D13/123
- D489,726 S \* 5/2004 Takita et al. .... D14/433
- D553,620 S \* 10/2007 Schroeder ..... D14/402
- D561,735 S \* 2/2008 Nagura et al. .... D14/168
- D581,393 S \* 11/2008 Rodrigues ..... D14/188
- D592,208 S \* 5/2009 Ishizaki et al. .... D14/257

\* cited by examiner

*Primary Examiner*—Stella M Reid

*Assistant Examiner*—Keli L Hill

(74) *Attorney, Agent, or Firm*—Plumsea Law Group, LLC

(57) **CLAIM**

The ornamental design for an audio input/output device, as  
shown and described.

**DESCRIPTION**

FIG. 1 is a perspective view of an audio input/output device  
showing our new design;

FIG. 2 is a front elevational view thereof;

FIG. 3 is a side elevational view of one side thereof;

FIG. 4 is a side elevational view of the other side thereof;

FIG. 5 is a top plan view thereof;

FIG. 6 is a bottom plan view thereof;

FIG. 7 is a rear elevational view thereof;

FIG. 8 is a plan view of the face plate thereof;

FIG. 9 is a perspective view of a second embodiment of the  
audio input/output device;

FIG. 10 is a front elevational view thereof;

FIG. 11 is a side elevational view of one side thereof;

FIG. 12 is a side elevational view of the other side thereof;

FIG. 13 is a top plan view thereof;

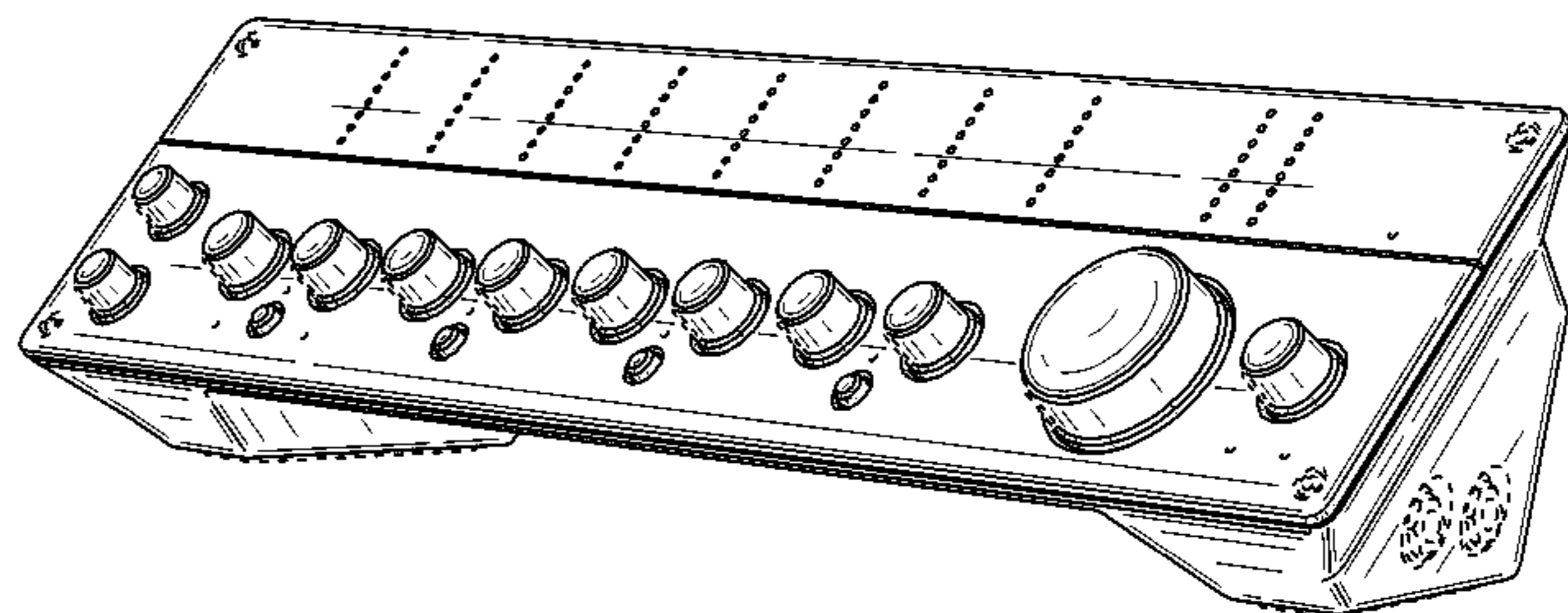
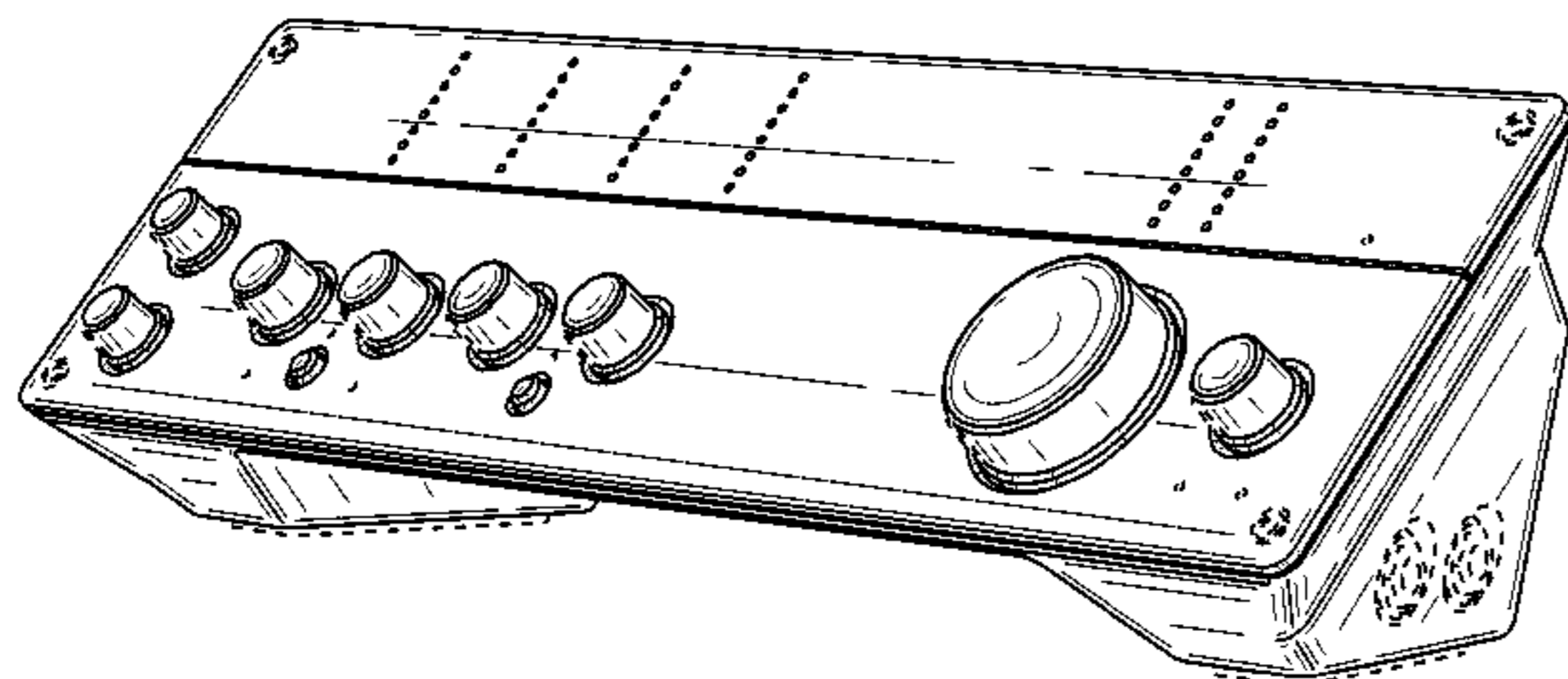
FIG. 14 is a bottom plan view thereof;

FIG. 15 is a rear elevational view thereof; and,

FIG. 16 is a plan view of the face plate thereof.

The broken line showings form no part of the claimed design.

**1 Claim, 14 Drawing Sheets**



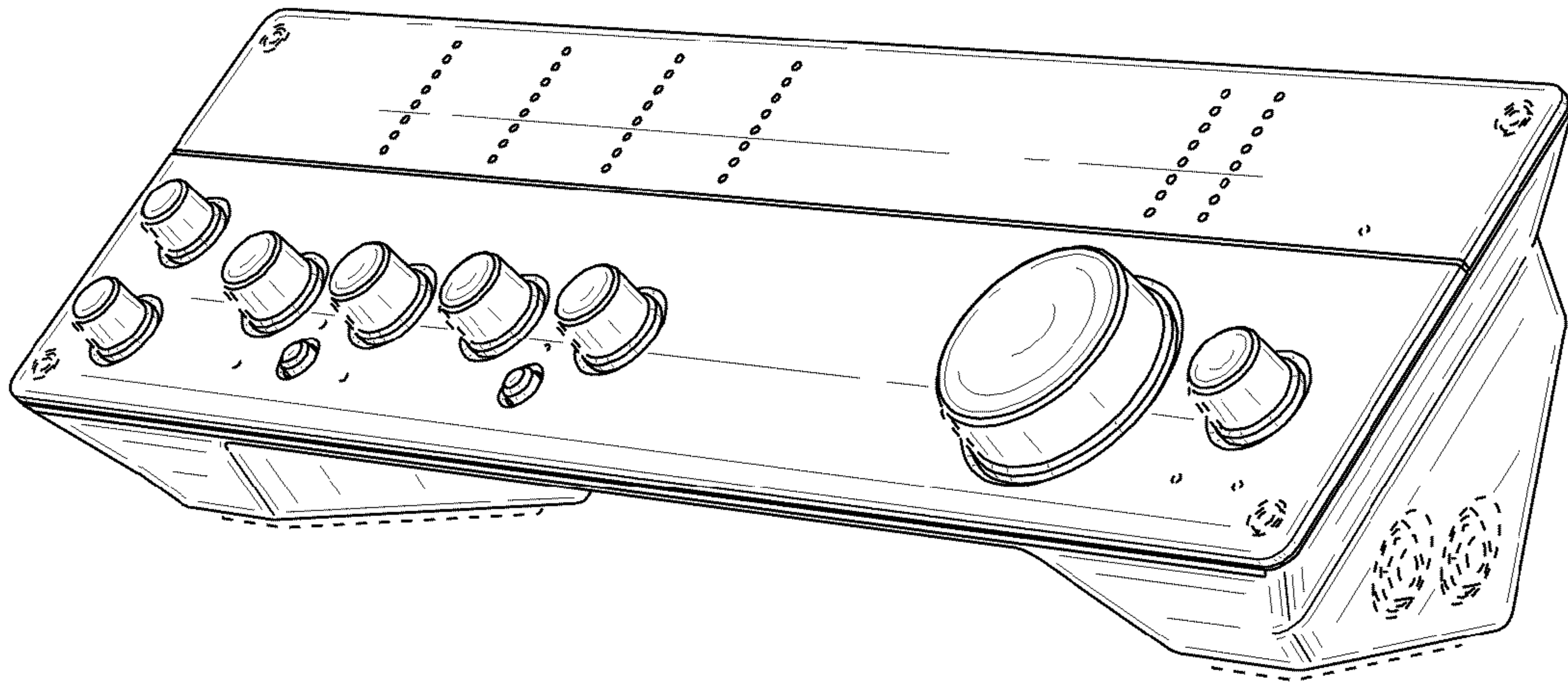


FIG. 1

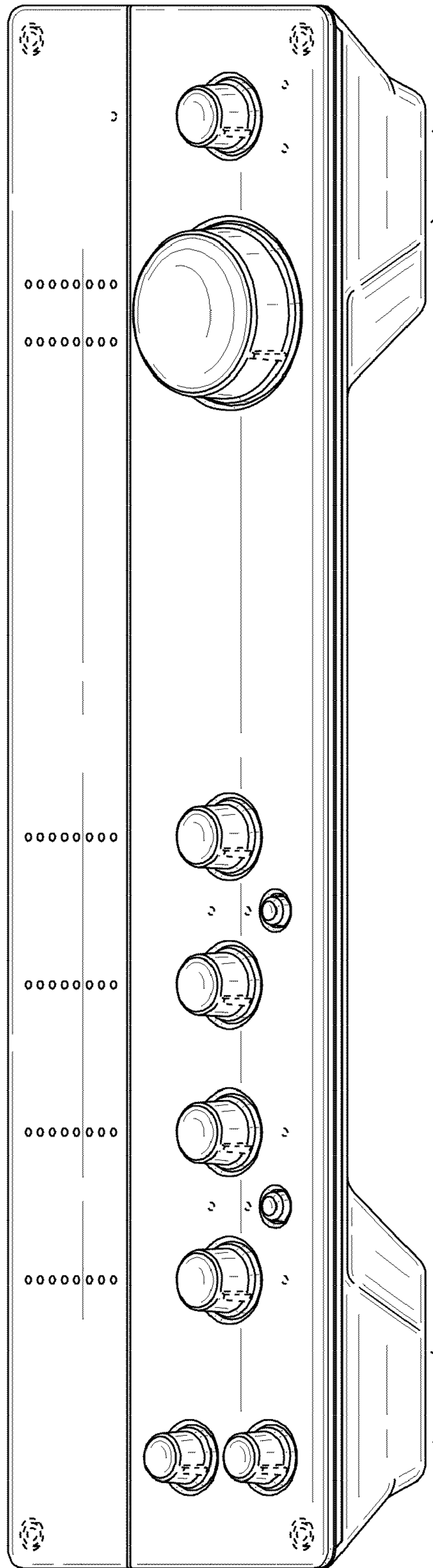


FIG. 2

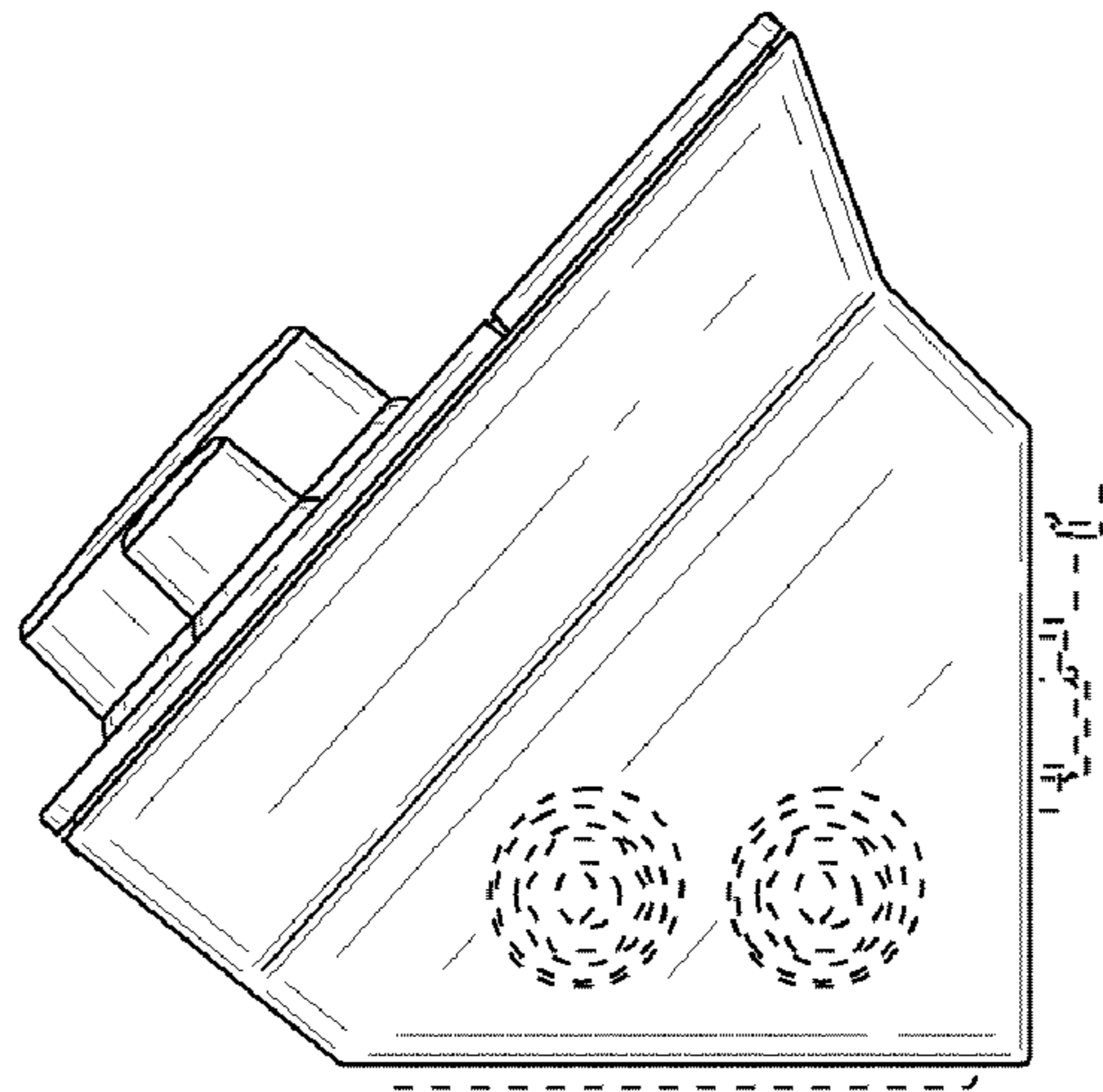


FIG. 3

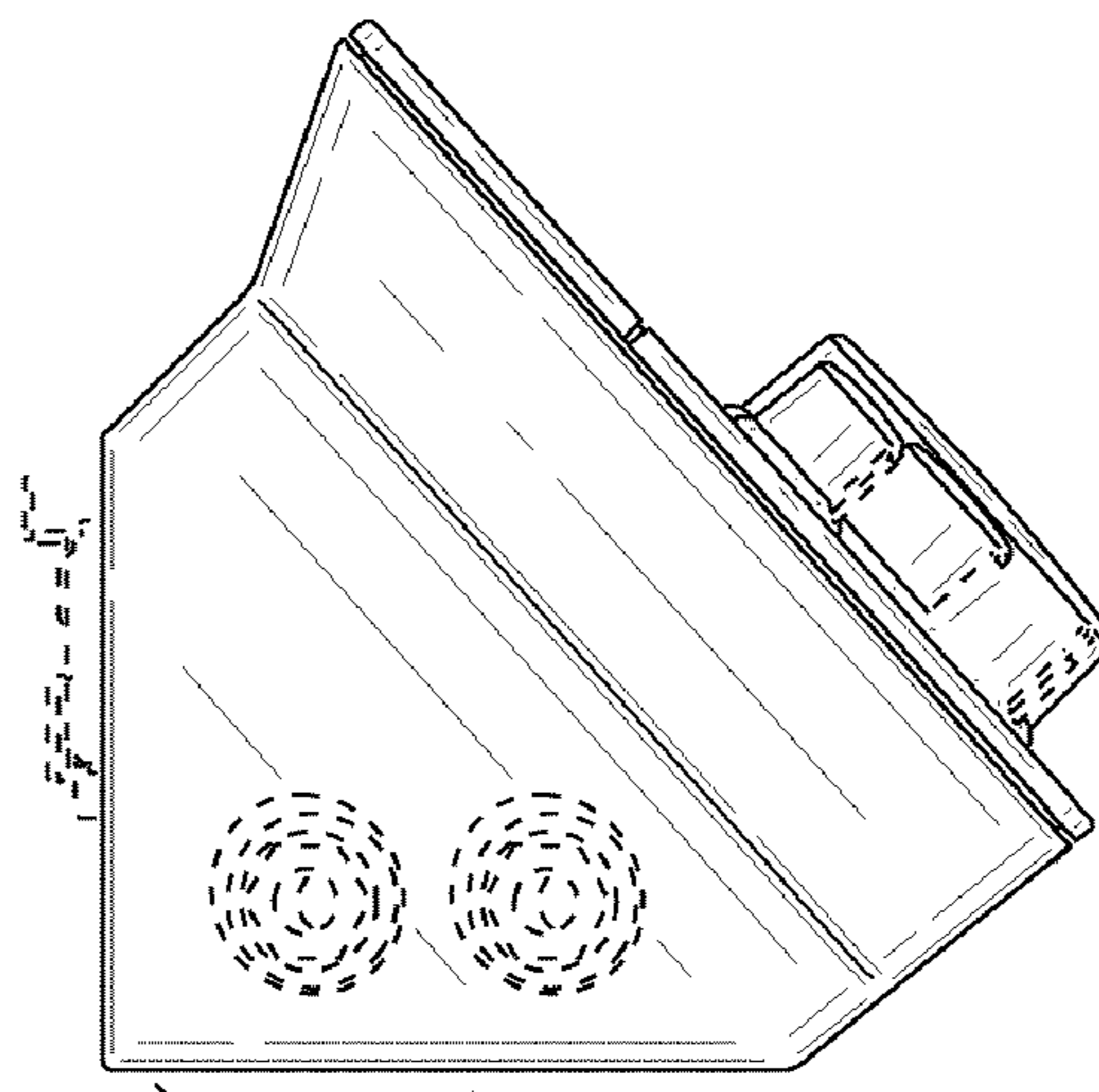


FIG. 4

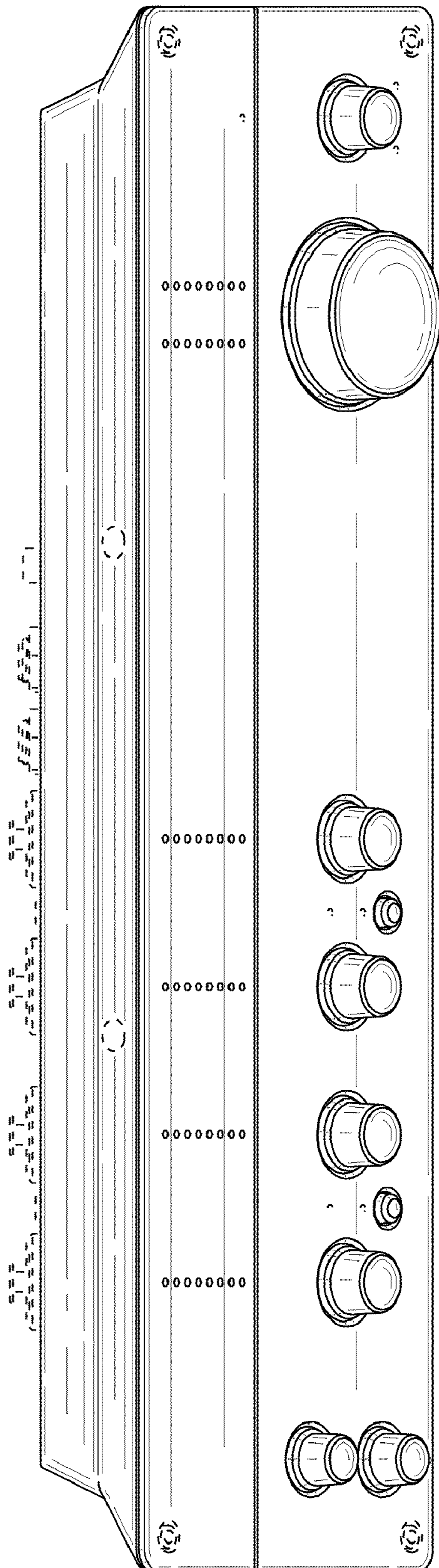


FIG. 5

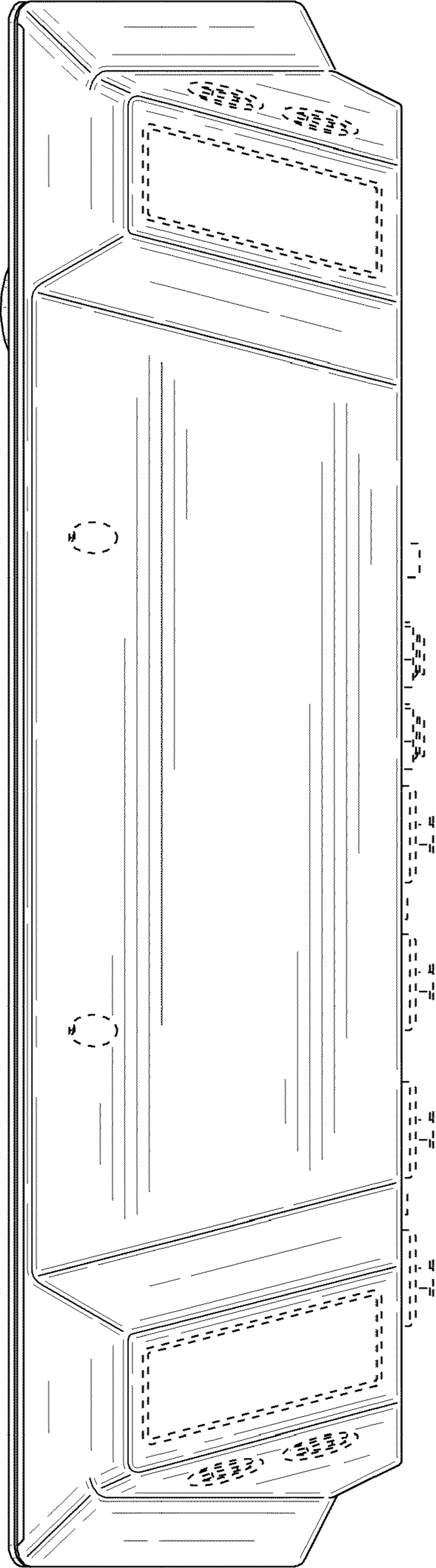


FIG. 6

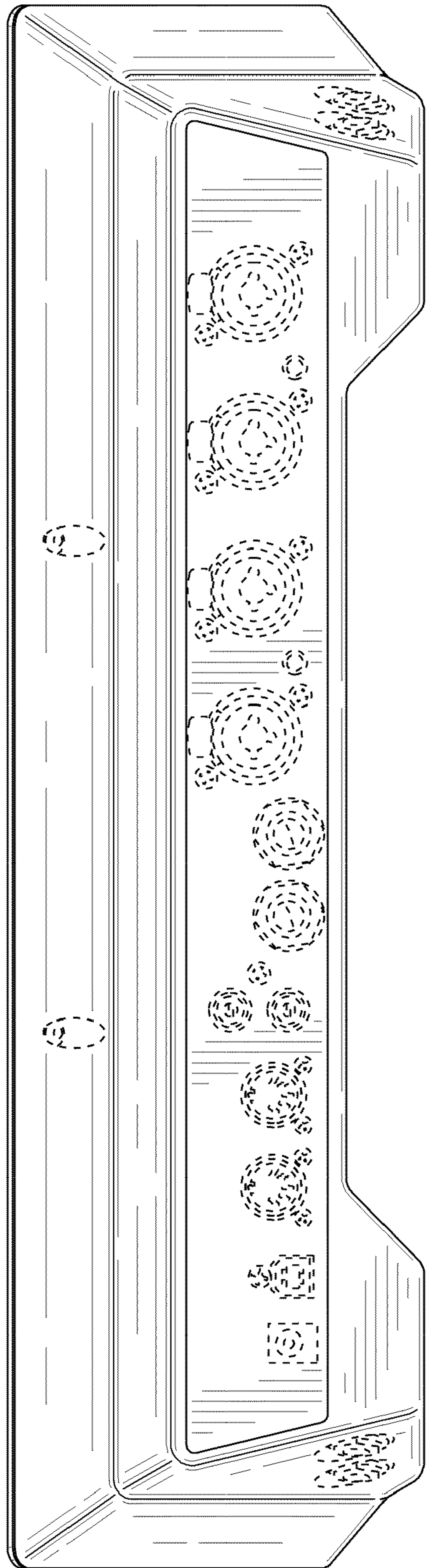


FIG. 7

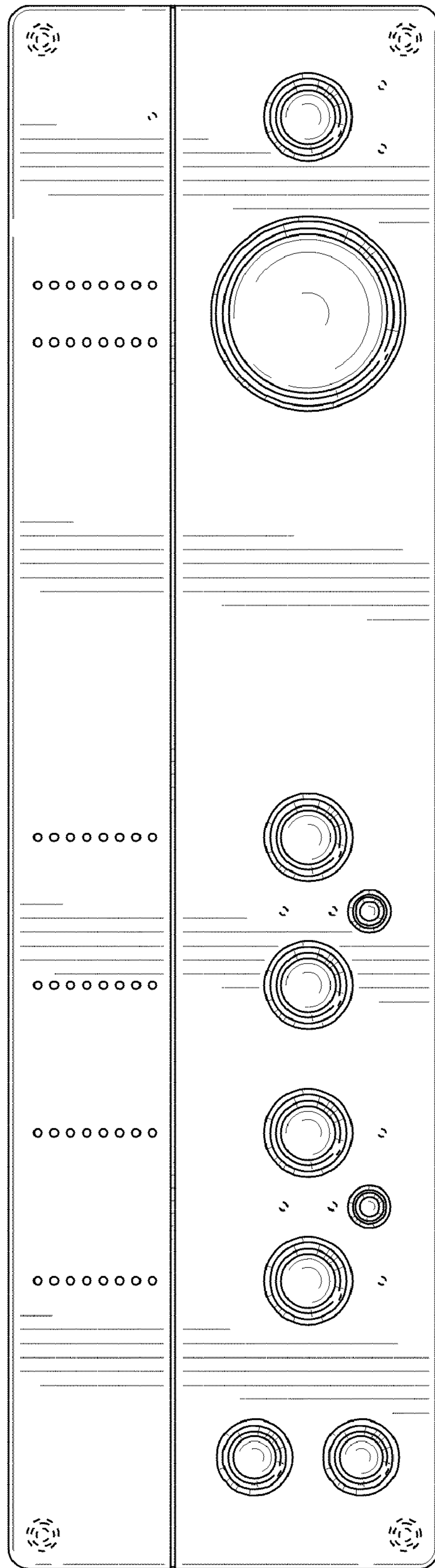


FIG. 8



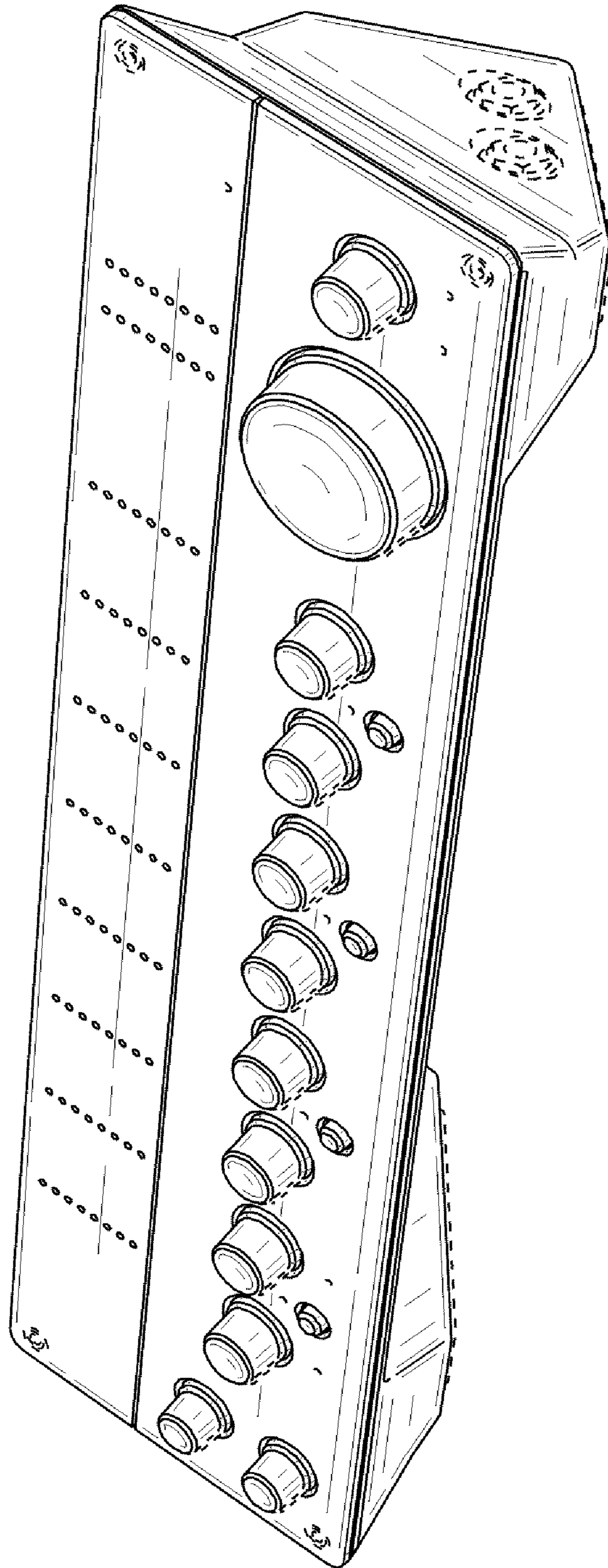


FIG. 9

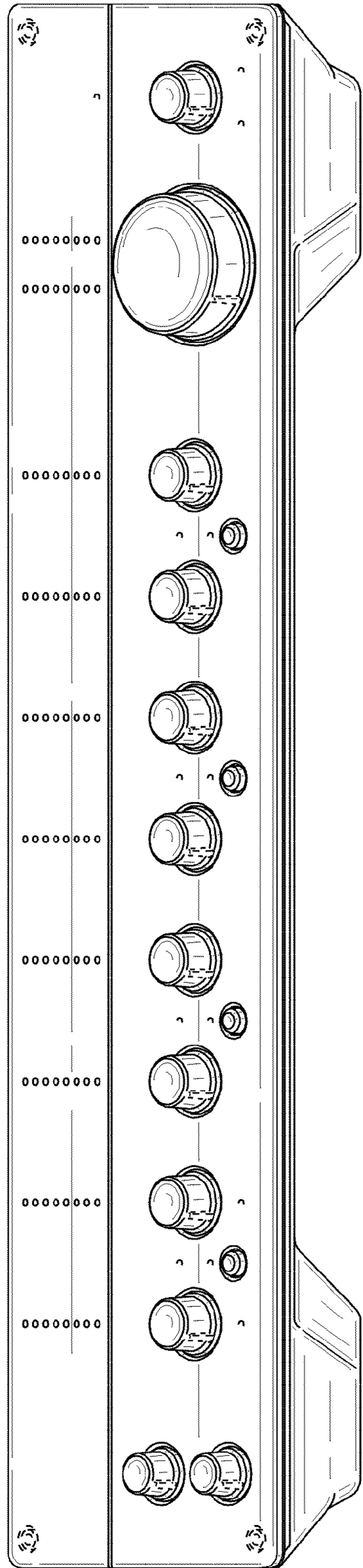


FIG. 10

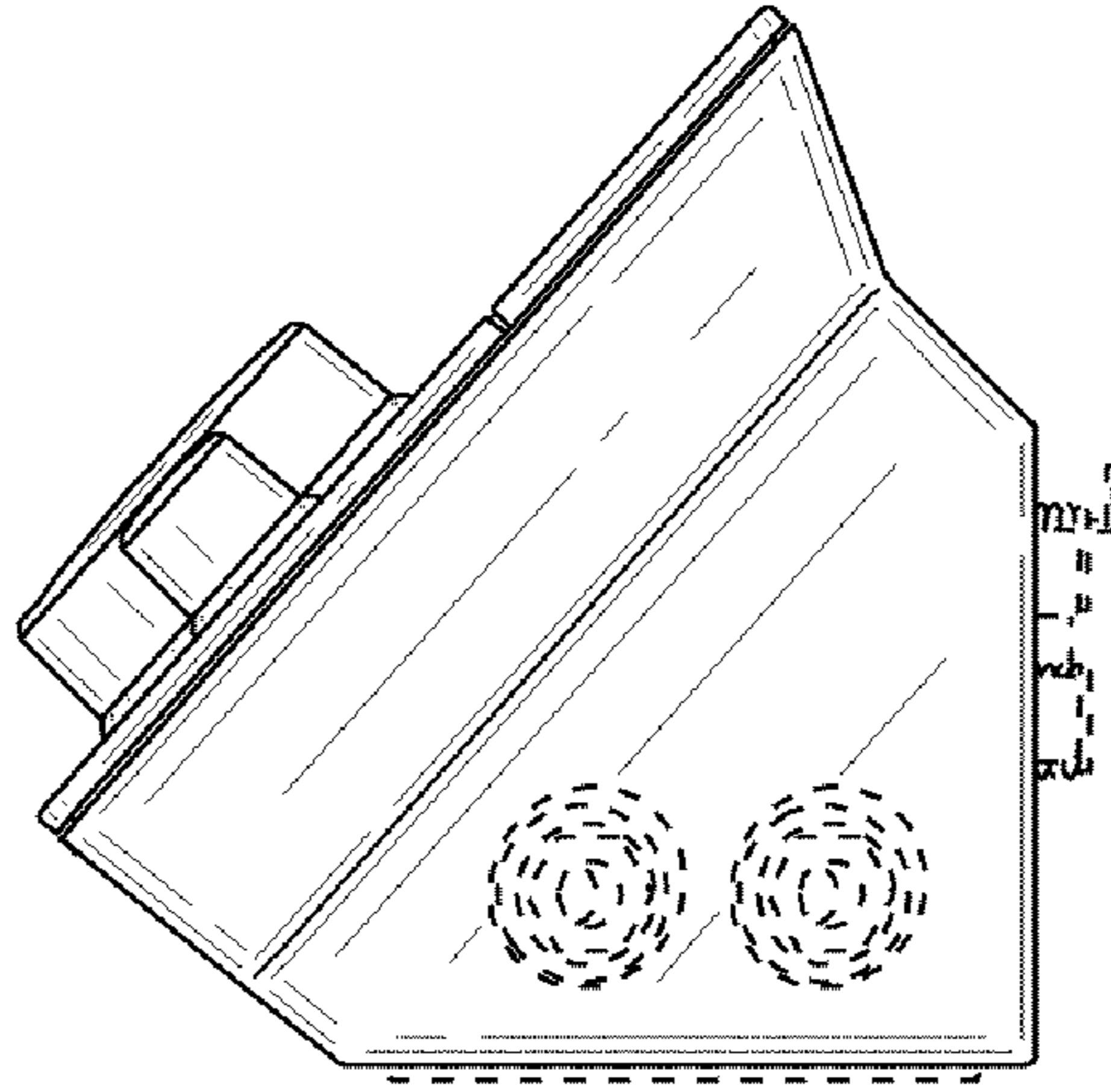


FIG. 11

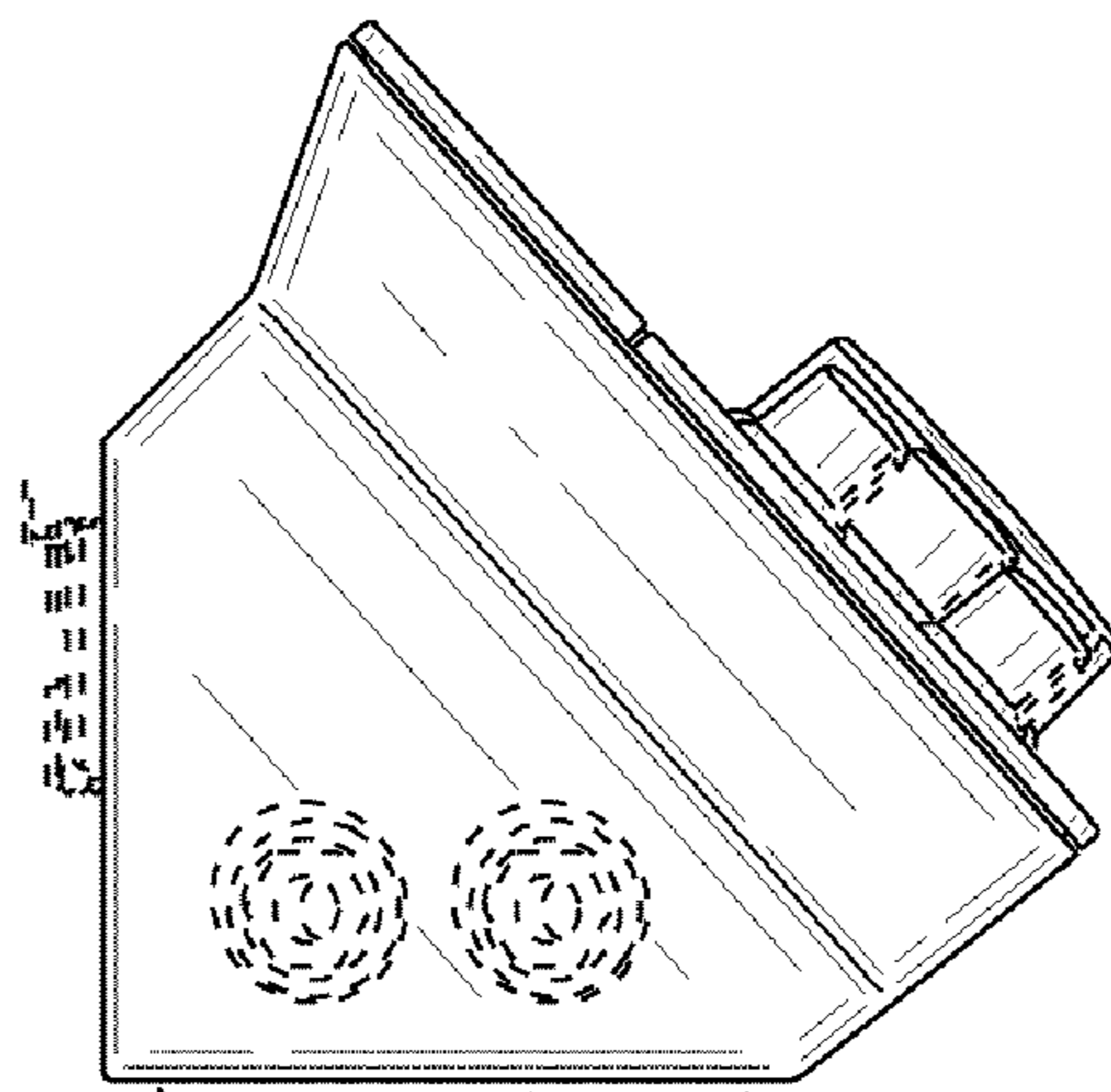


FIG. 12

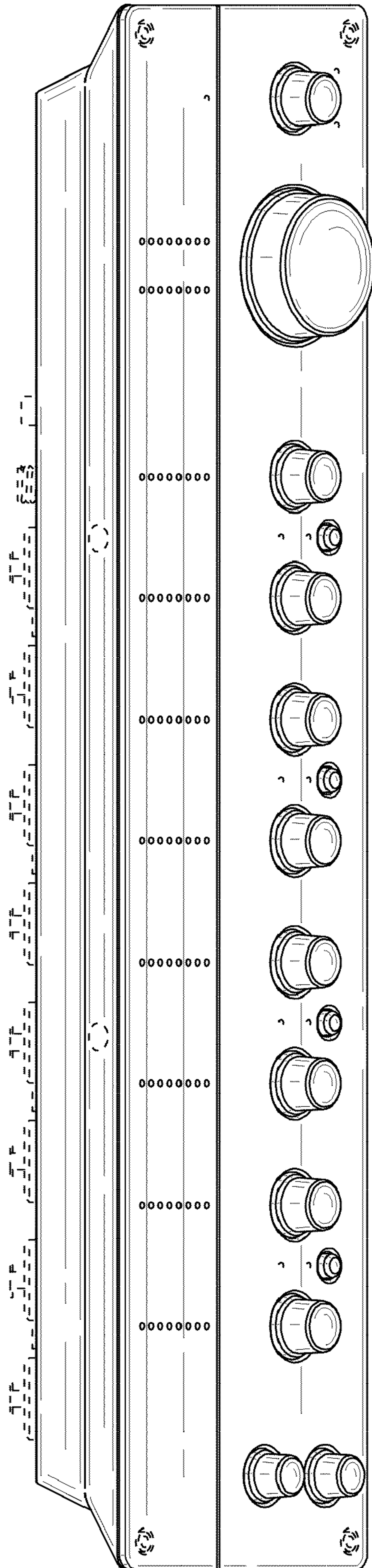


FIG. 13

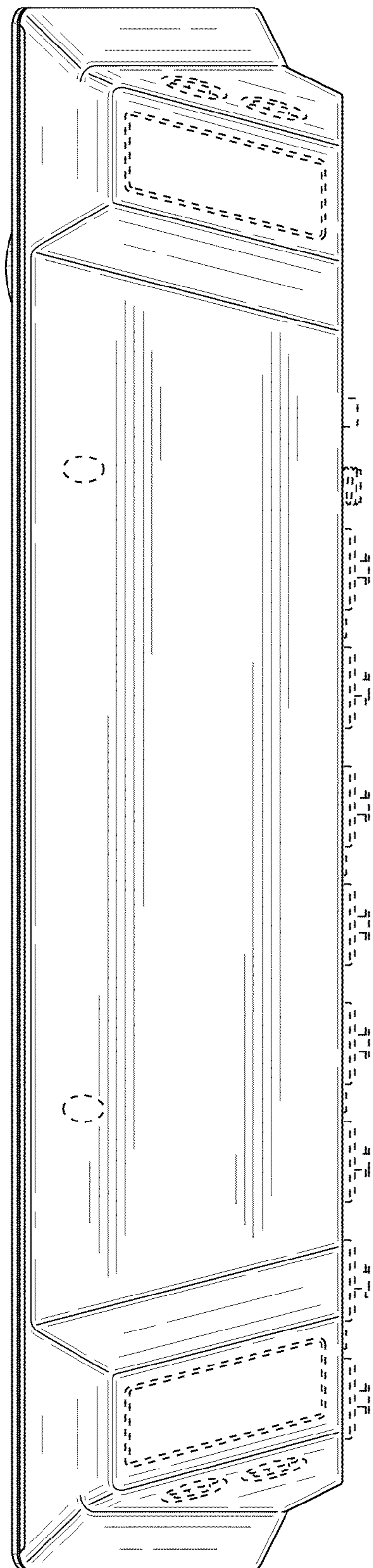


FIG. 14

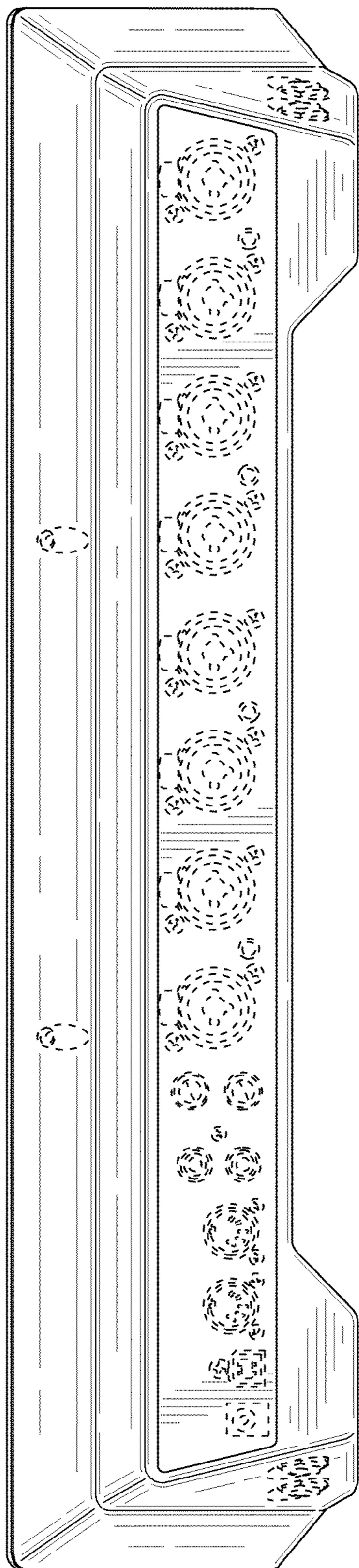


FIG. 15

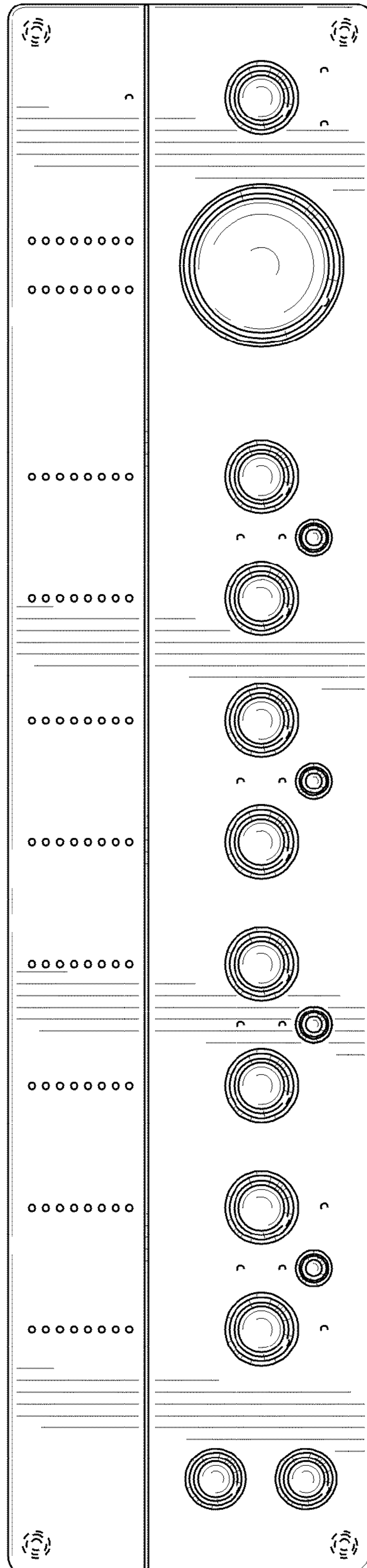


FIG. 16