



US00D613269S

(12) **United States Design Patent**
Masui et al.

(10) **Patent No.:** **US D613,269 S**
(45) **Date of Patent:** **** Apr. 6, 2010**

(54) **COMBINED DISC PLAYER, AMPLIFIER,
TUNER AND AUDIO PLAYER**

(75) Inventors: **Kirio Masui**, Tokyo (JP); **Asami Yamagishi**, Tokyo (JP); **Naoto Shimizu**, Tokyo (JP)

(73) Assignee: **Sony Corporation**, Tokyo (JP)

(**) Term: **14 Years**

(21) Appl. No.: **29/309,249**

(22) Filed: **Jul. 11, 2008**

(30) **Foreign Application Priority Data**

Jan. 11, 2008 (JP) D2008-000514

(51) **LOC (9) Cl.** **14-03**

(52) **U.S. Cl.** **D14/217**

(58) **Field of Classification Search** D14/496,
D14/498-505, 511, 157, 167-168, 188, 197-198,
D14/257-258, 218, 455, 389-396; 360/99.02,
360/99.07; 369/75.11, 75.21, 77.11, 77.21;
720/601, 612, 619, 649, 655; 455/344, 347-351;
D6/582; D99/27; 345/156; 341/122; D13/168
See application file for complete search history.

(56) **References Cited**

U.S. PATENT DOCUMENTS

5,231,380 A * 7/1993 Logan 345/156
D352,506 S * 11/1994 Kawamoto et al. D14/218
D354,477 S * 1/1995 Kawamura et al. D14/218

D418,820 S * 1/2000 Shintani et al. D13/168
D457,880 S * 5/2002 Suzuki et al. D14/257
D485,826 S * 1/2004 Goto D14/218
D518,031 S * 3/2006 Wu D14/218
D531,990 S * 11/2006 Kobayashi D14/217
D541,812 S * 5/2007 Wang D14/496
D558,793 S * 1/2008 Honda D14/496
7,372,119 B2 * 5/2008 Nakamura et al. 257/427
D587,246 S * 2/2009 Neu et al. D14/218
2004/0145577 A1 * 7/2004 Yajima et al. 345/173

* cited by examiner

Primary Examiner—Nanda Bondade

Assistant Examiner—Zenia I Bennett

(74) *Attorney, Agent, or Firm*—Rader, Fishman & Grauer, PLLC

(57) **CLAIM**

The ornamental design for a combined disc player, amplifier, tuner and audio player, as shown and described.

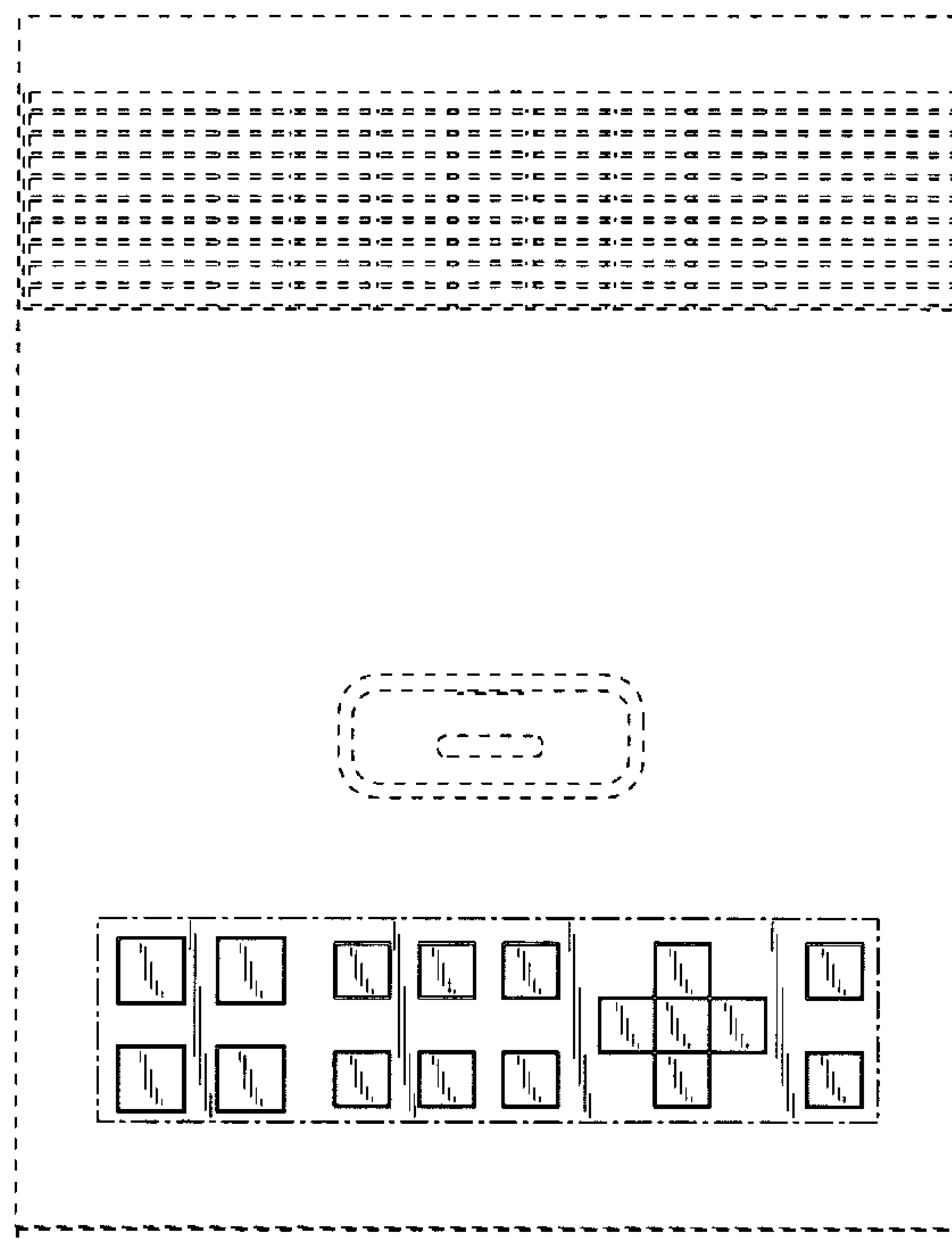
DESCRIPTION

FIG. 1 is a top plan view of a combined disc player, amplifier, tuner and audio player showing our new design; and,

FIG. 2 is an enlarged perspective view thereof, wherein a part of FIG. 1 is enlarged.

Portions of broken line showing are illustrative purposes only and form no part of the claimed design. The dot-dash broken lines define but are not included in, the boundaries of the claimed design.

1 Claim, 2 Drawing Sheets



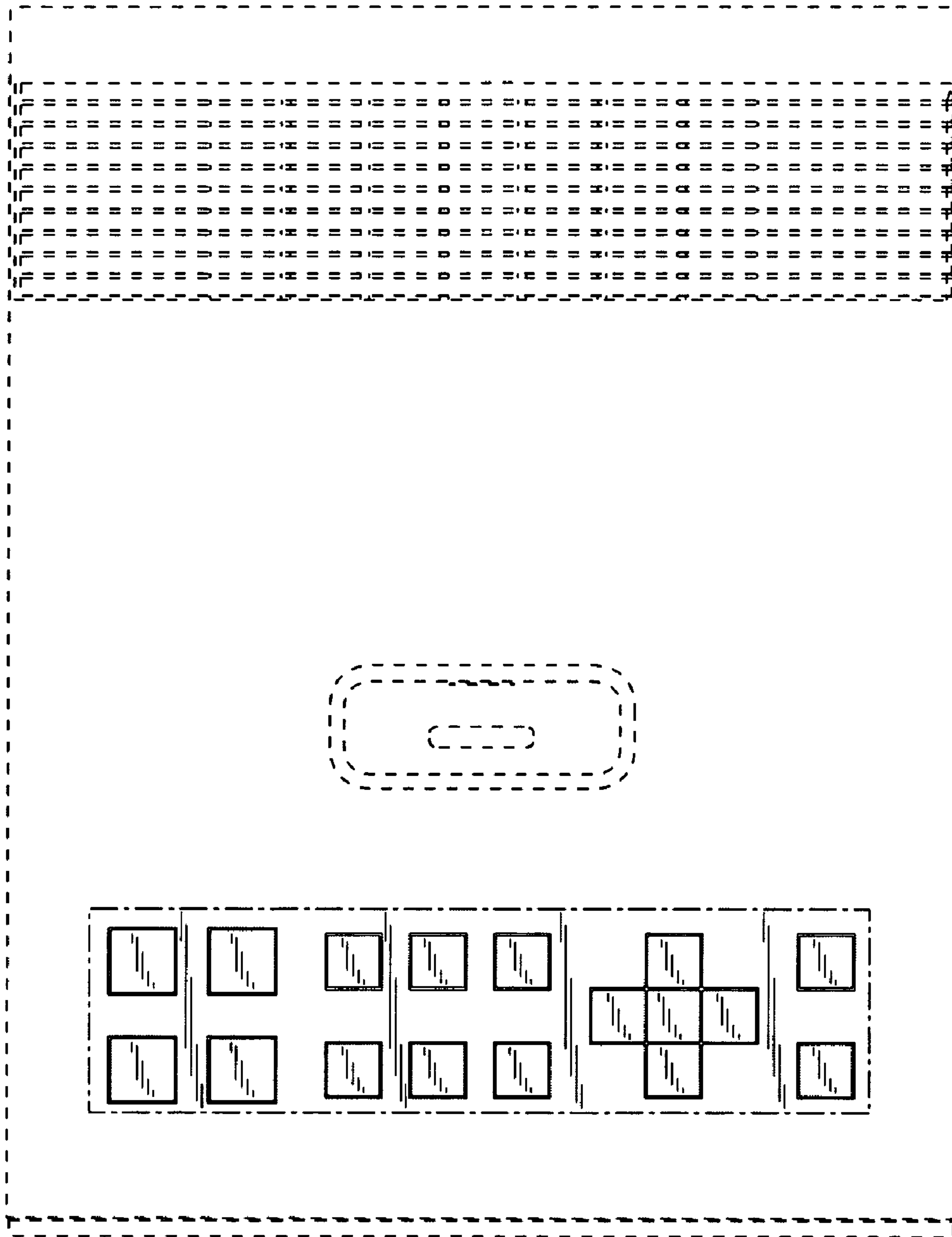


FIG. 1

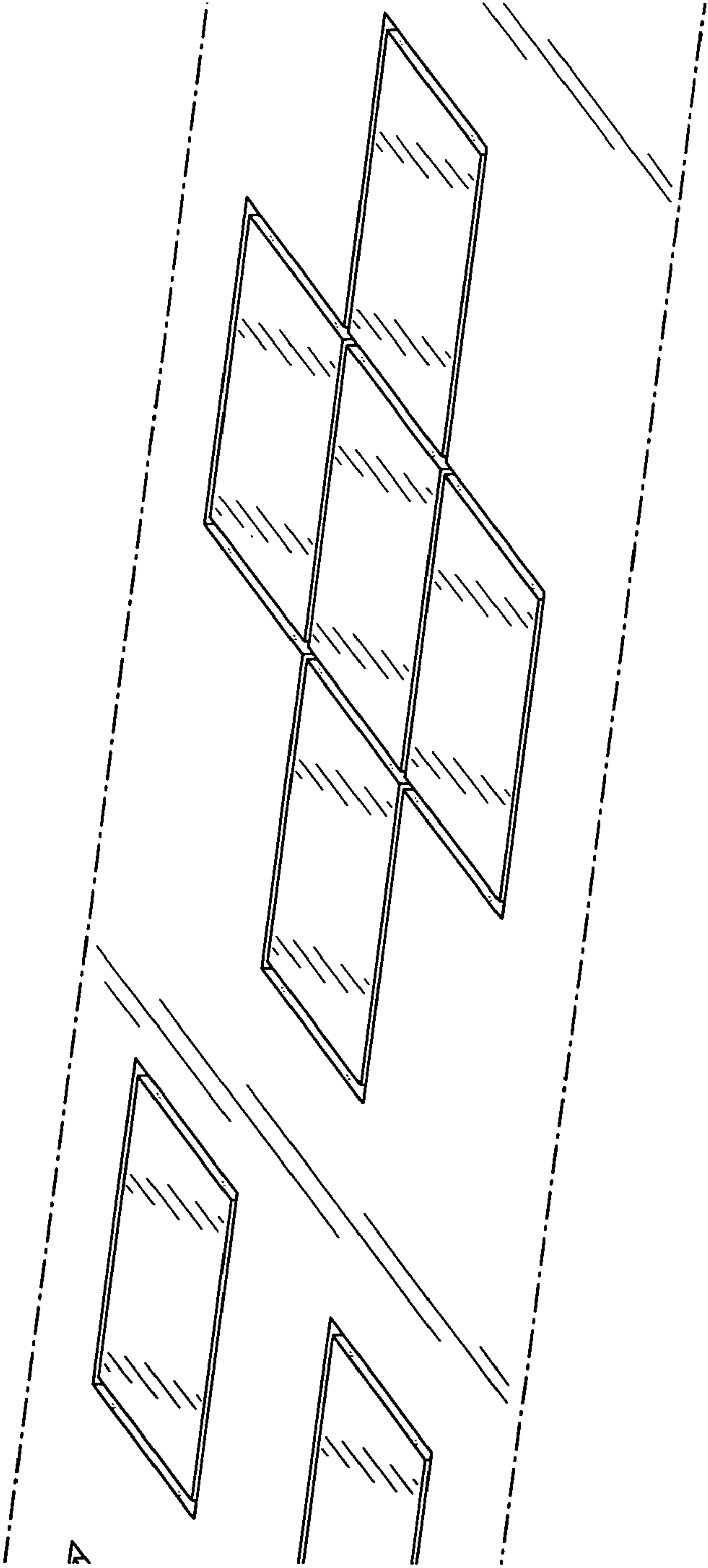


Fig.2