



US00D613267S

(12) **United States Design Patent**
Suwalski et al.

(10) **Patent No.:** **US D613,267 S**

(45) **Date of Patent:** **** Apr. 6, 2010**

(54) **HEADSET**

(75) Inventors: **Henry J. Suwalski**, Canberry Township, PA (US); **Andres D. Viduya**, Cranberry Township, PA (US); **Lonnie Pogue**, San Diego, CA (US)

(73) Assignee: **Vocollect, Inc.**, Pittsburgh, PA (US)

(**) Term: **14 Years**

(21) Appl. No.: **29/340,742**

(22) Filed: **Jul. 24, 2009**

Related U.S. Application Data

(62) Division of application No. 29/325,264, filed on Sep. 29, 2008.

(51) **LOC (9) Cl.** **14-01**

(52) **U.S. Cl.** **D14/206**

(58) **Field of Classification Search** D14/205, D14/206, 223, 188, 192, 142, 372, 496; 381/380, 381, 375, 376, 377, 385; 379/430, 379/420.01, 420.02, 433.02, 433.03, 433.04, 379/433.05, 447; 455/575.1, 575.2; 2/209, 2/453, 452; D29/112; 345/7, 8; 348/158

See application file for complete search history.

(56) **References Cited**

U.S. PATENT DOCUMENTS

1,483,315 A	2/1924	Saal
D130,619 S	12/1941	Kendall
D153,112 S	3/1949	Braun et al.
2,506,524 A	5/1950	Stuck
2,782,423 A	2/1957	Wiegand et al.
2,958,769 A	11/1960	Bounds
3,087,028 A	4/1963	Ernest
D196,654 S	10/1963	Van Den Berg
3,192,326 A	6/1965	Chapman
D206,665 S	1/1967	Sanzone
3,327,807 A	6/1967	Mullin
D212,863 S	12/1968	Roberts
3,568,271 A	3/1971	Husserl

3,654,406 A	4/1972	Reinthal
3,682,268 A	8/1972	Gorike
3,969,796 A	7/1976	Hodsdon
3,971,900 A	7/1976	Foley
3,971,901 A	7/1976	Foley
3,984,885 A	10/1976	Yoshimura
4,018,599 A	4/1977	Hill et al.

(Continued)

FOREIGN PATENT DOCUMENTS

DE 2628259 12/1977

(Continued)

OTHER PUBLICATIONS

Four-pager Vocollect Speech Recognition Headsets brochure-Clarity and comfort. Reliable performance. Copyright. Sep. 2005.

(Continued)

Primary Examiner—Paula Greene

(74) *Attorney, Agent, or Firm*—Wood, Herron & Evans, LLP

(57) **CLAIM**

The ornamental design for a headset, as shown and described.

DESCRIPTION

FIG. 1 is a front perspective view of a headset showing our new design;

FIG. 2 is a front perspective view thereof;

FIG. 3 is a right side elevational view thereof;

FIG. 4 is a front elevational view thereof;

FIG. 5 is a left side elevational view thereof;

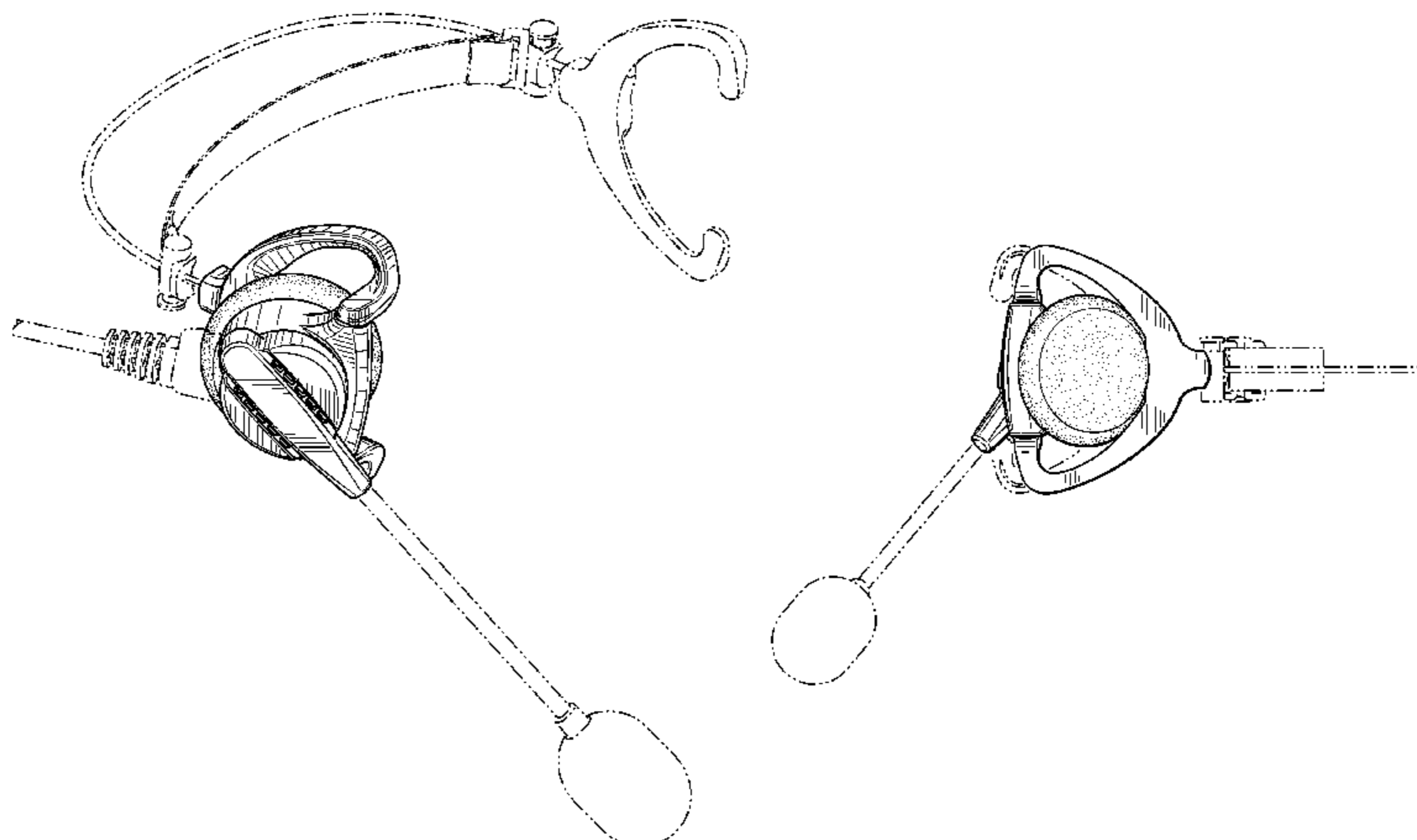
FIG. 6 is a rear elevational view thereof;

FIG. 7 is a top view thereof; and,

FIG. 8 is a bottom view thereof.

The broken lines are for illustrative purposes only, and form no part of the claimed design.

1 Claim, 6 Drawing Sheets



US D613,267 S

Page 2

U.S. PATENT DOCUMENTS				
		5,553,312	A	9/1996 Gattey et al.
		5,555,490	A	9/1996 Carroll
		5,555,554	A	9/1996 Hofer
4,020,297	A 4/1977 Brodie	5,563,952	A	10/1996 Mercer
4,024,368	A 5/1977 Shattuck	5,572,401	A	11/1996 Carroll
4,031,295	A 6/1977 Rigazio	5,572,623	A	11/1996 Pastor
4,039,765	A 8/1977 Tichy	5,579,400	A	11/1996 Ballein
4,138,598	A 2/1979 Cech	D376,598	S	12/1996 Hayashi
4,189,788	A 2/1980 Schenke	D377,020	S	12/1996 Bungardt et al.
4,239,936	A 12/1980 Sakoe	5,581,492	A	12/1996 Janik
RE30,662	E 6/1981 Foley	5,604,050	A	2/1997 Brunette et al.
4,302,635	A 11/1981 Jacobsen	5,604,813	A	2/1997 Evans et al.
D265,989	S 8/1982 Harris	5,607,792	A	3/1997 Garcia et al.
4,357,488	A 11/1982 Knighton et al.	D380,199	S	6/1997 Beruscha
D268,675	S 4/1983 Hass	5,637,417	A	6/1997 Engmark
4,418,248	A 11/1983 Mathis	D384,072	S	9/1997 Ng
4,471,496	A 9/1984 Gardner	5,665,485	A	9/1997 Kuwayama et al.
4,472,607	A 9/1984 Houng	5,671,037	A	9/1997 Ogasawara et al.
4,499,593	A 2/1985 Antle	5,673,325	A	9/1997 Andrea
D278,805	S 5/1985 Bulgari	5,673,364	A	9/1997 Bialik
4,625,083	A 11/1986 Poikela	D385,272	S	10/1997 Jensen
4,634,816	A 1/1987 O'Malley et al.	5,680,465	A	10/1997 Boyden
4,672,672	A 6/1987 Eggert et al.	D385,855	S	11/1997 Ronzani
4,672,674	A 6/1987 Clough	D387,898	S	12/1997 Ronzani
4,689,822	A 8/1987 Houng	D390,552	S	2/1998 Ronzani
D299,129	S 12/1988 Wiegel	D391,234	S	2/1998 Chacon et al.
4,821,318	A 4/1989 Wu	5,716,730	A	2/1998 Deguchi
D301,145	S 5/1989 Besasie et al.	5,719,743	A	2/1998 Jenkins et al.
4,845,650	A 7/1989 Meade et al.	5,719,744	A	2/1998 Jenkins et al.
4,875,233	A 10/1989 Derhaag	D394,436	S	5/1998 Hall et al.
4,907,266	A 3/1990 Chen	5,749,072	A	5/1998 Mazurkiewicz et al.
4,952,024	A 8/1990 Gale	5,757,339	A	5/1998 Williams et al.
D313,092	S 12/1990 Nilsson	5,762,512	A	6/1998 Trant et al.
5,003,589	A 3/1991 Chen	5,766,794	A	6/1998 Brunette et al.
5,018,599	A 5/1991 Dohi	5,774,096	A	6/1998 Usuki et al.
5,023,824	A 6/1991 Chadima et al.	5,774,837	A	6/1998 Yeldener
D318,670	S 7/1991 Taniguchi	5,778,026	A	7/1998 Zak
5,028,083	A 7/1991 Mischenko	5,781,644	A	7/1998 Chang
5,056,161	A 10/1991 Breen	5,787,361	A	7/1998 Chen
D321,879	S 11/1991 Emmerling	5,787,387	A	7/1998 Aguilar
D326,655	S 6/1992 Iribe	5,787,390	A	7/1998 Quinquis
5,155,659	A 10/1992 Kunert	5,793,878	A	8/1998 Chang
5,177,784	A 1/1993 Hu et al.	D398,899	S	9/1998 Chaco
5,179,736	A 1/1993 Scanlon	D400,848	S	11/1998 Clark et al.
D334,043	S 3/1993 Taniguchi et al.	5,832,098	A	11/1998 Chen
5,197,332	A 3/1993 Shennib	5,841,630	A	11/1998 Seto
5,202,197	A 4/1993 Ansell	5,841,859	A	11/1998 Chen
D337,116	S 7/1993 Hattori	D402,651	S	12/1998 Depay et al.
5,225,293	A 7/1993 Mitchell	5,844,824	A	12/1998 Newman et al.
5,251,105	A 10/1993 Kobayashi	5,856,038	A	1/1999 Mason
D341,567	S 11/1993 Acker	5,857,148	A	1/1999 Weissshappel et al.
5,267,181	A 11/1993 George	5,860,204	A	1/1999 Kregel
5,281,957	A 1/1994 Schoolman	5,862,241	A	1/1999 Nelson
D344,494	S 2/1994 Cardenas	D406,098	S	2/1999 Walter et al.
D344,522	S 2/1994 Taniguchi	5,869,204	A	2/1999 Kottke et al.
5,293,647	A 3/1994 Mirmilshhteyn et al.	5,873,070	A	2/1999 Bunte et al.
5,305,244	A 4/1994 Newman et al.	5,890,074	A	3/1999 Rydbeck
5,369,857	A 12/1994 Sacherman	5,890,108	A	3/1999 Yeldener
5,371,679	A 12/1994 Abe et al.	5,895,729	A	4/1999 Phelps et al.
5,381,473	A 1/1995 Andrea	D409,137	S	5/1999 Sumita
5,381,486	A 1/1995 Ludeke	5,905,632	A	5/1999 Seto et al.
5,406,037	A 4/1995 Nageno	D410,466	S	6/1999 Mouri
5,438,626	A 8/1995 Neuman	D410,921	S	6/1999 Luchs et al.
5,438,698	A 8/1995 Burton et al.	D411,179	S	6/1999 Toyosato
5,446,788	A 8/1995 Lucey et al.	5,931,513	A	8/1999 Conti
5,469,505	A 11/1995 Gattey	5,933,330	A	8/1999 Beutler et al.
D365,559	S 12/1995 Fathi	5,935,729	A	8/1999 Mareno
5,475,791	A 12/1995 Schalk	D413,582	S	9/1999 Tompkins
5,479,001	A 12/1995 Kumar	D414,470	S	9/1999 Chacon
D367,256	S 2/1996 Tokunaga	5,991,085	A	11/1999 Rallison et al.
5,491,651	A 2/1996 Janik	5,999,085	A	12/1999 Szwarc
5,501,571	A 3/1996 Van Durrett et al.	6,014,619	A	1/2000 Wuppermann et al.
5,515,303	A 5/1996 Cargin et al.	6,016,347	A	1/2000 Magnasco
5,535,437	A 7/1996 Karl et al.			

US D613,267 S

6,021,207 A	2/2000	Puthuff et al.	6,386,107 B1	5/2002	Rancourt
D422,962 S	4/2000	Shevlin et al.	6,394,278 B1	5/2002	Reed
6,051,334 A	4/2000	Tsurumaru	6,434,251 B1	8/2002	Jensen
D424,035 S	5/2000	Steiner	6,445,175 B1	9/2002	Estep
6,060,193 A	5/2000	Remes	6,446,042 B1	9/2002	Detlef
6,061,647 A	5/2000	Barrett	6,453,020 B1	9/2002	Hughes et al.
6,071,640 A	6/2000	Robertson et al.	D463,784 S	10/2002	Taylor et al.
6,075,857 A	6/2000	Doss et al.	6,466,681 B1	10/2002	Siska, Jr.
6,078,825 A	6/2000	Hahn et al.	D465,208 S	11/2002	Lee et al.
6,084,556 A	7/2000	Zwern	D465,209 S	11/2002	Rath
6,085,428 A	7/2000	Casby et al.	D466,497 S	12/2002	Wikel
6,091,546 A	7/2000	Spitzer	6,496,111 B1	12/2002	Hosack
D430,158 S	8/2000	Bhatia	6,496,589 B1 *	12/2002	Pham et al. 381/375
D430,159 S	8/2000	Bhatia et al.	6,500,581 B2	12/2002	White et al.
6,101,260 A	8/2000	Jensen	D469,080 S	1/2003	Kohli
6,114,625 A	9/2000	Hughes et al.	6,511,770 B2	1/2003	Chang
6,120,932 A	9/2000	Slipy et al.	6,532,148 B2	3/2003	Jenks
D431,562 S	10/2000	Bhatia et al.	6,560,092 B2	5/2003	Itou et al.
6,127,990 A	10/2000	Zwern	6,562,950 B2	5/2003	Peretz et al.
6,136,467 A	10/2000	Phelps et al.	6,581,782 B2	6/2003	Reed
6,137,868 A	10/2000	Leach	6,600,798 B2	7/2003	Wuppermann
6,137,879 A	10/2000	Papadopoulos et al.	6,615,174 B1	9/2003	Arslan
6,154,669 A	11/2000	Hunter et al.	6,628,509 B2	9/2003	Kono
D434,762 S	12/2000	Ikenaga	6,633,839 B2	10/2003	Kushner et al.
6,157,533 A	12/2000	Sallam	D482,019 S	11/2003	Petersen et al.
6,160,702 A	12/2000	Lee	6,658,130 B2	12/2003	Huang
6,167,413 A	12/2000	Daley	6,660,427 B1	12/2003	Hukill
D436,104 S	1/2001	Bhatia	D487,064 S	2/2004	Stekelenburg
6,171,138 B1	1/2001	Lefebvre et al.	6,697,465 B1	2/2004	Goss
6,179,192 B1	1/2001	Weinger et al.	D488,146 S	4/2004	Minto
6,188,985 B1	2/2001	Thrift	D488,461 S	4/2004	Okada
6,190,795 B1	2/2001	Daley	6,728,325 B1	4/2004	Hwang
D440,966 S	4/2001	Ronzani	6,731,771 B2	5/2004	Cottrell
6,225,777 B1	5/2001	Garcia et al.	D491,917 S	6/2004	Asai
6,226,622 B1	5/2001	Dabbiere	D492,295 S	6/2004	Glatt
6,229,694 B1	5/2001	Kono	6,743,535 B2	6/2004	Yoneyama
6,230,029 B1	5/2001	Hahn et al.	6,745,014 B1	6/2004	Seibert
6,235,420 B1	5/2001	Ng	6,749,960 B2	6/2004	Takeshita
6,237,051 B1	5/2001	Collins	6,754,361 B1	6/2004	Hall
D443,870 S	6/2001	Carpenter et al.	6,754,632 B1	6/2004	Kalinowski et al.
6,252,970 B1	6/2001	Poon et al.	6,757,651 B2	6/2004	Vergin
6,261,715 B1	7/2001	Nakamura et al.	D494,517 S	8/2004	Platto et al.
D449,289 S	10/2001	Weikel et al.	6,769,762 B2	8/2004	Saito et al.
6,302,454 B1	10/2001	Tsurumaru	6,769,767 B2	8/2004	Swab et al.
6,304,430 B1	10/2001	Laine	6,772,114 B1	8/2004	Sluijter et al.
6,304,459 B1	10/2001	Toyosato et al.	6,778,676 B2	8/2004	Groth
6,310,888 B1	10/2001	Hamlin	6,795,805 B1	9/2004	Besette et al.
6,324,053 B1	11/2001	Kamijo	D498,231 S	11/2004	Jacobson et al.
D451,903 S	12/2001	Amae et al.	6,811,088 B2	11/2004	Lanzaro et al.
D451,907 S	12/2001	Amae et al.	6,826,532 B1	11/2004	Casby et al.
6,325,507 B1	12/2001	Jannard	6,847,336 B1	1/2005	Lemelson
6,326,543 B1	12/2001	Lamp	6,885,735 B2	4/2005	Odinak et al.
6,327,152 B1	12/2001	Saye	D506,065 S	6/2005	Sugino et al.
6,339,706 B1	1/2002	Tillgren	6,909,546 B2	6/2005	Hirai
6,339,764 B1	1/2002	Livesay et al.	D507,523 S	7/2005	Resch et al.
6,349,001 B1	2/2002	Spitzer	6,934,675 B2	8/2005	Gliniski
6,353,313 B1	3/2002	Estep	6,965,681 B2	11/2005	Almqvist
6,356,635 B1	3/2002	Lyman et al.	D512,417 S	12/2005	Hirakawa et al.
6,357,534 B1	3/2002	Buetow et al.	D512,984 S	12/2005	Ham
6,359,603 B1	3/2002	Zwern	D512,985 S	12/2005	Travers et al.
6,359,777 B1	3/2002	Newman	7,013,018 B2	3/2006	Bogeskov-Jensen
6,359,995 B1	3/2002	Ou	D519,497 S	4/2006	Komiyama
6,364,126 B1	4/2002	Enriquez	7,027,774 B2	4/2006	Kuon
6,369,952 B1	4/2002	Rallison et al.	D521,492 S	5/2006	Ham
6,371,535 B2	4/2002	Wei	7,050,598 B1	5/2006	Ham
6,373,693 B1	4/2002	Seto et al.	7,052,799 B2	5/2006	Zatezalo et al.
6,373,942 B1	4/2002	Braund	7,063,263 B2	6/2006	Swartz et al.
6,374,126 B1	4/2002	MacDonald, Jr. et al.	D524,794 S	7/2006	Kim
6,376,942 B1	4/2002	Burger	D525,237 S	7/2006	Viduya
6,377,825 B1	4/2002	Kennedy et al.	7,076,236 B2	7/2006	Ihira et al.
D457,133 S	5/2002	Yoneyama	7,082,393 B2	7/2006	Lahr
6,384,591 B1	5/2002	Estep	7,085,543 B2	8/2006	Nassimi
6,384,982 B1	5/2002	Spitzer	7,099,464 B2	8/2006	Lucey et al.

7,106,877 B1 9/2006 Linville
 7,107,057 B2 9/2006 Arazi et al.
 7,110,800 B2 9/2006 Nagayasu et al.
 7,110,801 B2 9/2006 Nassimi
 D529,447 S 10/2006 Greenfield
 D531,586 S 11/2006 Poulet
 7,136,684 B2 11/2006 Matsuura et al.
 7,143,041 B2 11/2006 Sacks et al.
 D537,438 S 2/2007 Hermansen
 7,181,402 B2 2/2007 Jax
 7,203,651 B2 4/2007 Baruch et al.
 7,225,130 B2 5/2007 Roth et al.
 7,242,765 B2 7/2007 Hairston
 D549,216 S 8/2007 Viduya
 D549,217 S 8/2007 Viduya
 D549,694 S 8/2007 Viduya et al.
 D551,615 S 9/2007 Wahl
 D552,595 S 10/2007 Viduya et al.
 7,343,283 B2 3/2008 Ashley
 7,346,175 B2 3/2008 Hui et al.
 D567,218 S 4/2008 Viduya et al.
 D567,219 S 4/2008 Viduya et al.
 D567,799 S 4/2008 Viduya et al.
 D567,806 S 4/2008 Viduya et al.
 7,369,991 B2 5/2008 Manabe et al.
 7,391,863 B2 6/2008 Viduya
 7,496,387 B2 2/2009 Byford et al.
 7,519,186 B2 4/2009 Varma
 7,519,196 B2 4/2009 Bech
 2001/0017925 A1 8/2001 Ceravolo
 2001/0017926 A1 8/2001 Vicamini
 2001/0036291 A1 11/2001 Pallai
 2001/0046305 A1 11/2001 Muranami
 2002/0003889 A1 1/2002 Fischer
 2002/0015008 A1 2/2002 Kishida
 2002/0016161 A1 2/2002 Dellien
 2002/0067825 A1 6/2002 Baranowski
 2002/0068610 A1 6/2002 Anvekar
 2002/0076060 A1 6/2002 Hall
 2002/0091526 A1 7/2002 Kiessling
 2002/0110246 A1 8/2002 Gosior
 2002/0111197 A1 8/2002 Fitzgerald
 2002/0131616 A1 9/2002 Bronnikov
 2002/0152065 A1 10/2002 Kopp
 2002/0159574 A1 10/2002 Stogel

2003/0095525 A1 5/2003 Lavin
 2003/0103413 A1 6/2003 Jacobi, Jr.
 2003/0130852 A1 7/2003 Tanaka
 2003/0179888 A1 9/2003 Burnett
 2003/0182243 A1 9/2003 Gerson
 2003/0212480 A1 11/2003 Lutter
 2003/0217367 A1 11/2003 Romano
 2003/0228023 A1 12/2003 Burnett
 2004/0010407 A1 1/2004 Kovesi
 2004/0024586 A1 2/2004 Andersen
 2004/0046637 A1 3/2004 Van Swaay
 2004/0063475 A1 4/2004 Weng
 2004/0091129 A1 5/2004 Jensen
 2005/0149414 A1 7/2005 Schrodtt
 2005/0232436 A1 10/2005 Nagayasu
 2005/0272401 A1 12/2005 Zatezalo
 2007/0223766 A1 9/2007 Davis

FOREIGN PATENT DOCUMENTS

DE	3604292	8/1987
EP	0380290	8/1990
EP	1018854	7/2000

OTHER PUBLICATIONS

Four-page Vocollect Speech Recognition Headsets brochure—SR 30 Series Talkman High-Noise Headset. Copyright 2005.
 Two-page. Vocollect SR 20 Talkman Lightweight Headset Product Information Sheet. Copyright Aug. 2004.
 Photographs 1-7 SR Talkman Headset Aug. 2004—Prior art.
 Two-page Supplemental Vocollect SR 20, Talkman Lightweight Headset brochure. Copyright Aug. 2004.
 Photographs 1-8 SR Talkman Headset.
 Hong Kook Kim, et al.; A Bitstream-Based Front-End for Wireless Speech Recognition on IS-136 Communications Systems; IEEE Transactions on Speech and Audio Processing; Manuscript received Feb. 16, 200, revised Jan. 25, 2001; 11 pages; vol. 9; No. 5; Jul. 2001; New York, NY, US.
 Mladen Russo, et al.; Speech Recognition over Bluetooth ACL and SCO Links; A Comparison; Consumer Communications and Networking Conference 2005; Jan. 3-6, 2005; 5 Pages., Las Vegas, NV, US.
 English Language Translation of Foreign Reference #1 above (DE2628259).

* cited by examiner

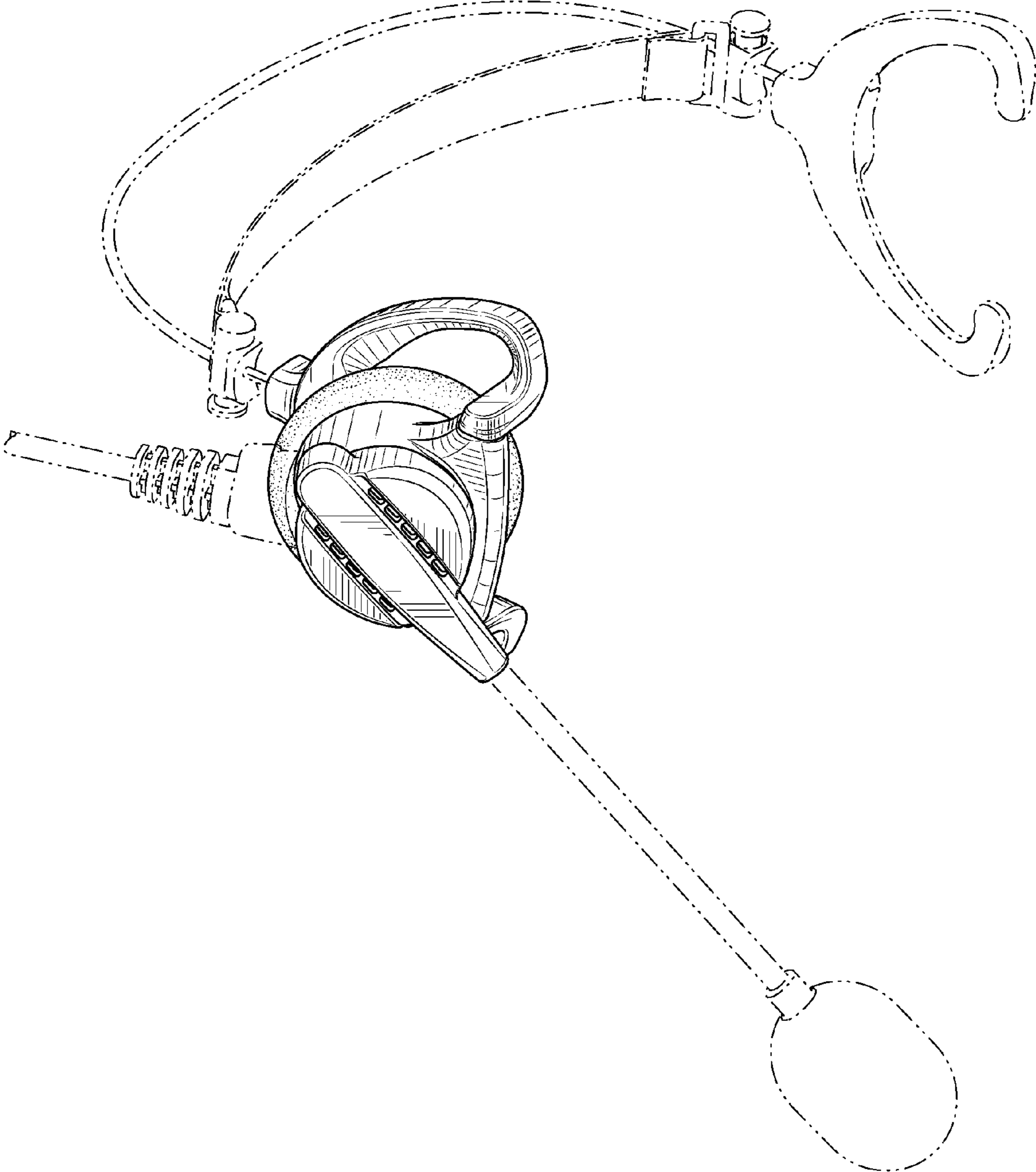


FIG. 1

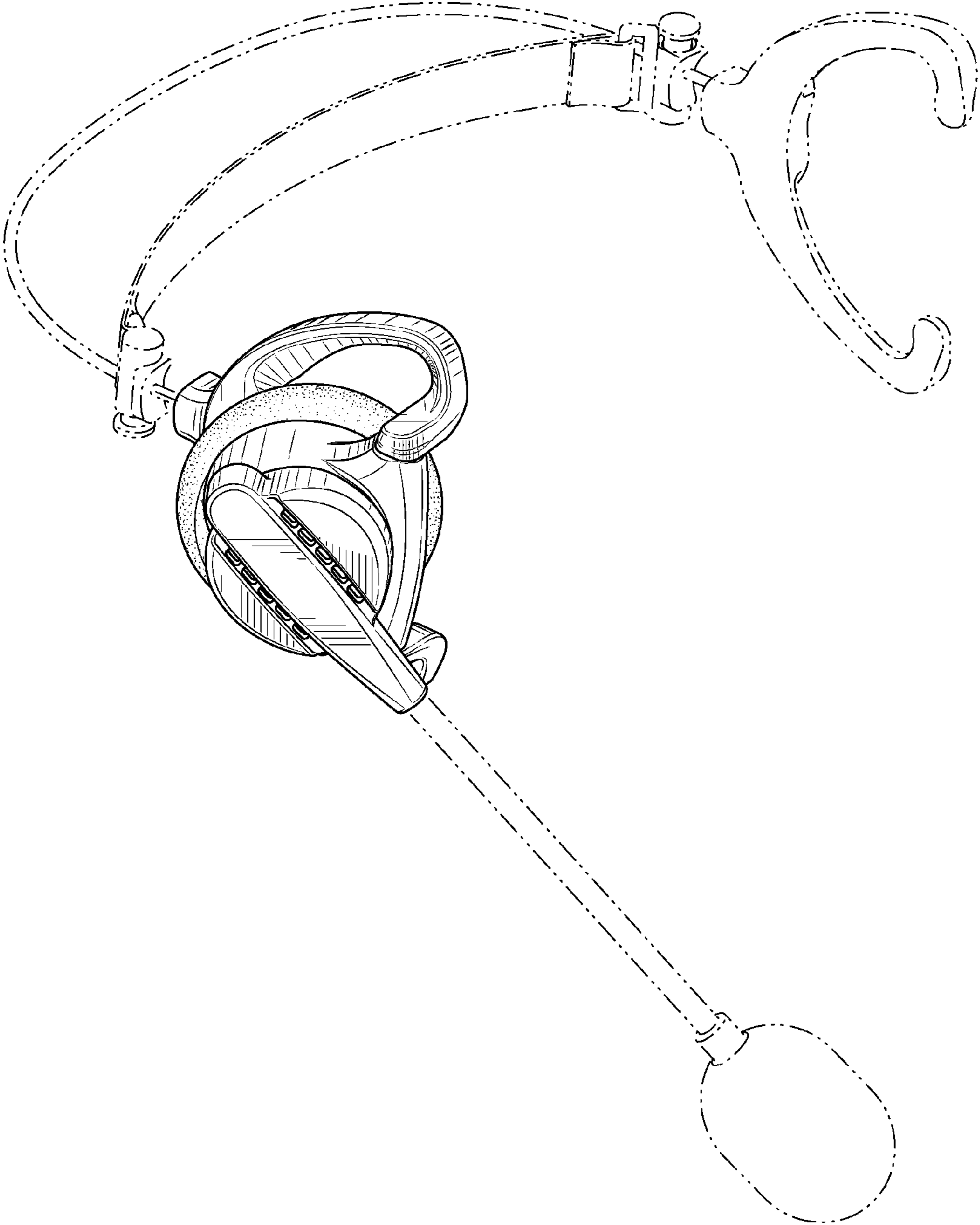


FIG. 2

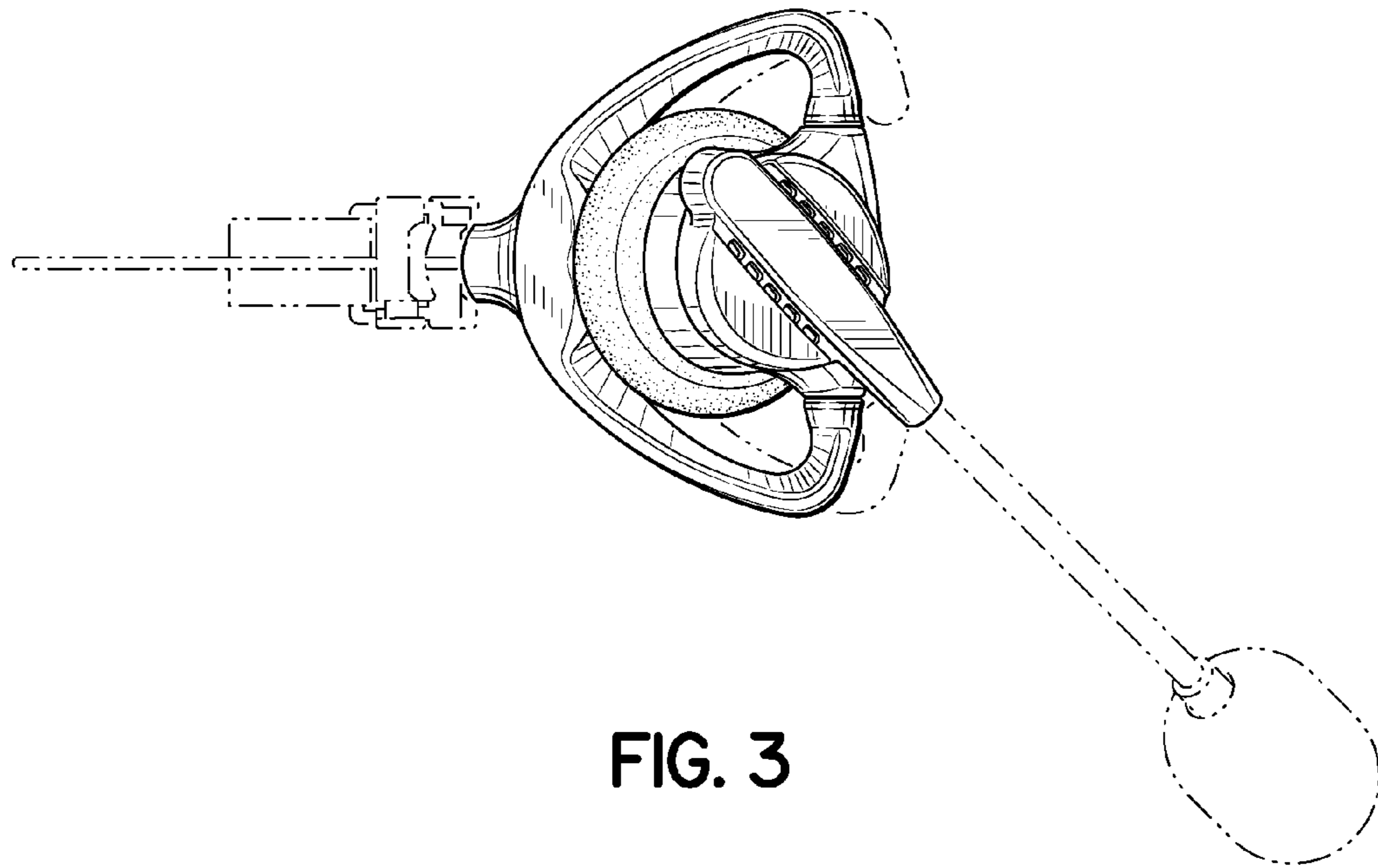


FIG. 3

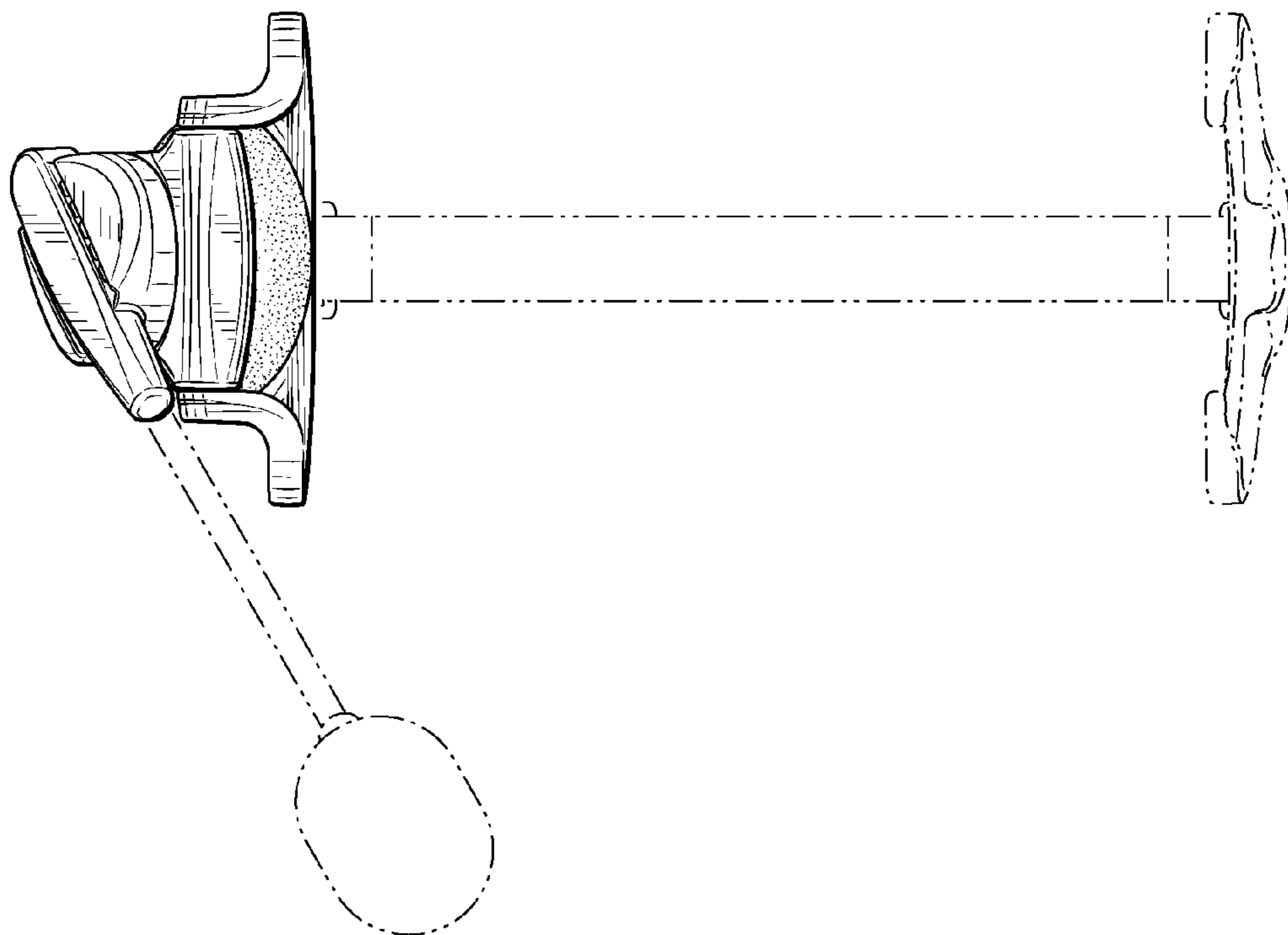


FIG. 4

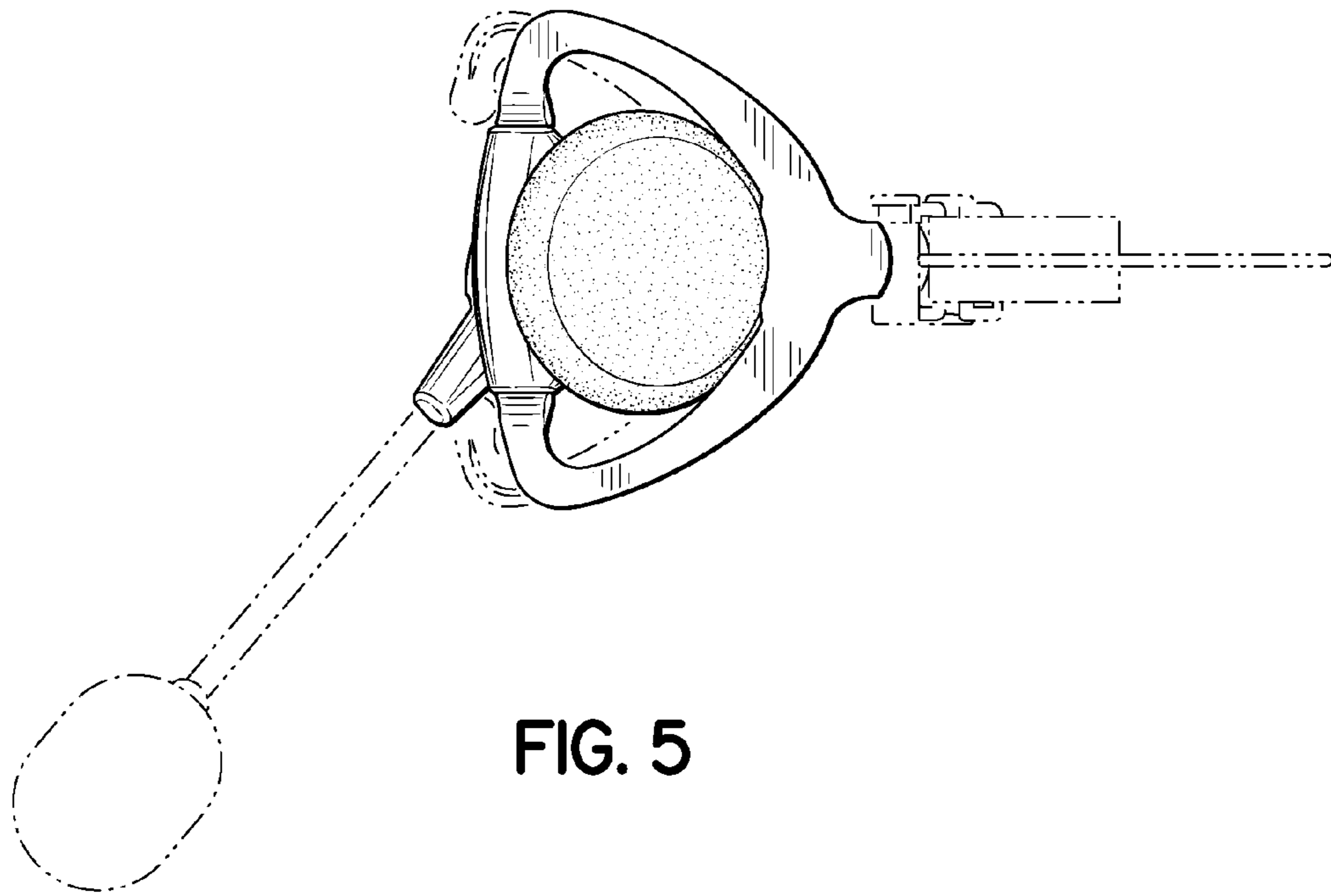


FIG. 5

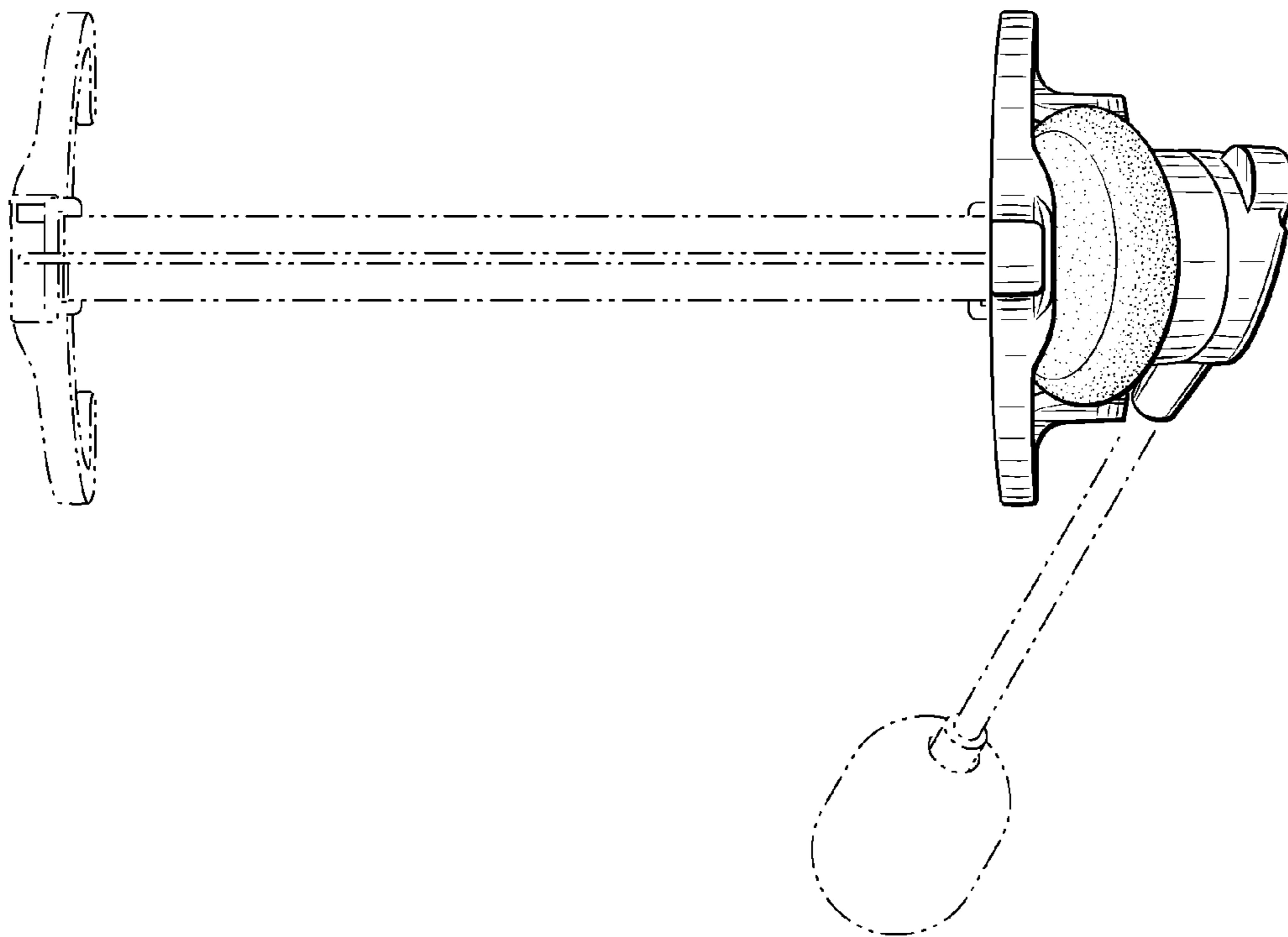


FIG. 6

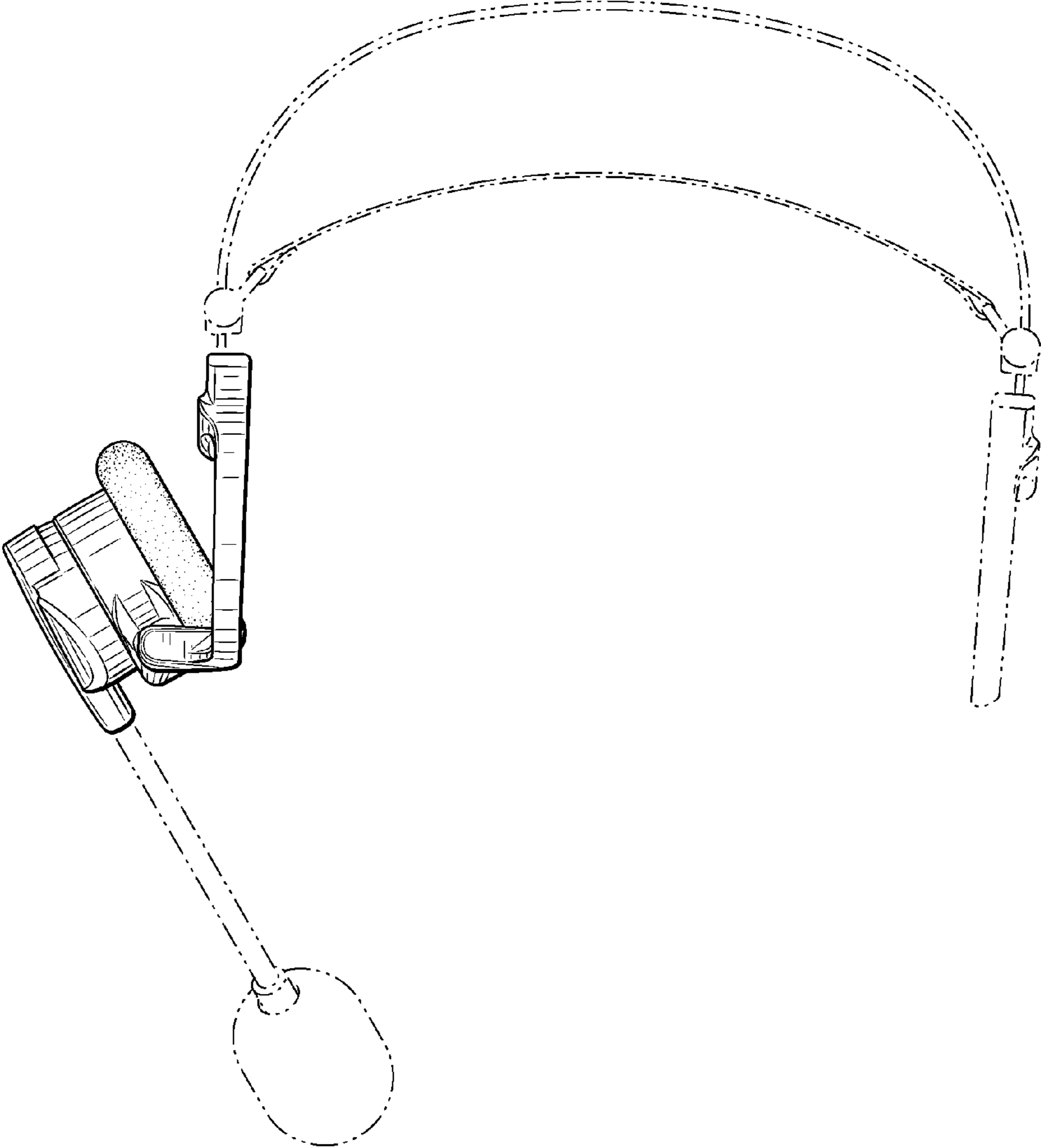


FIG. 7

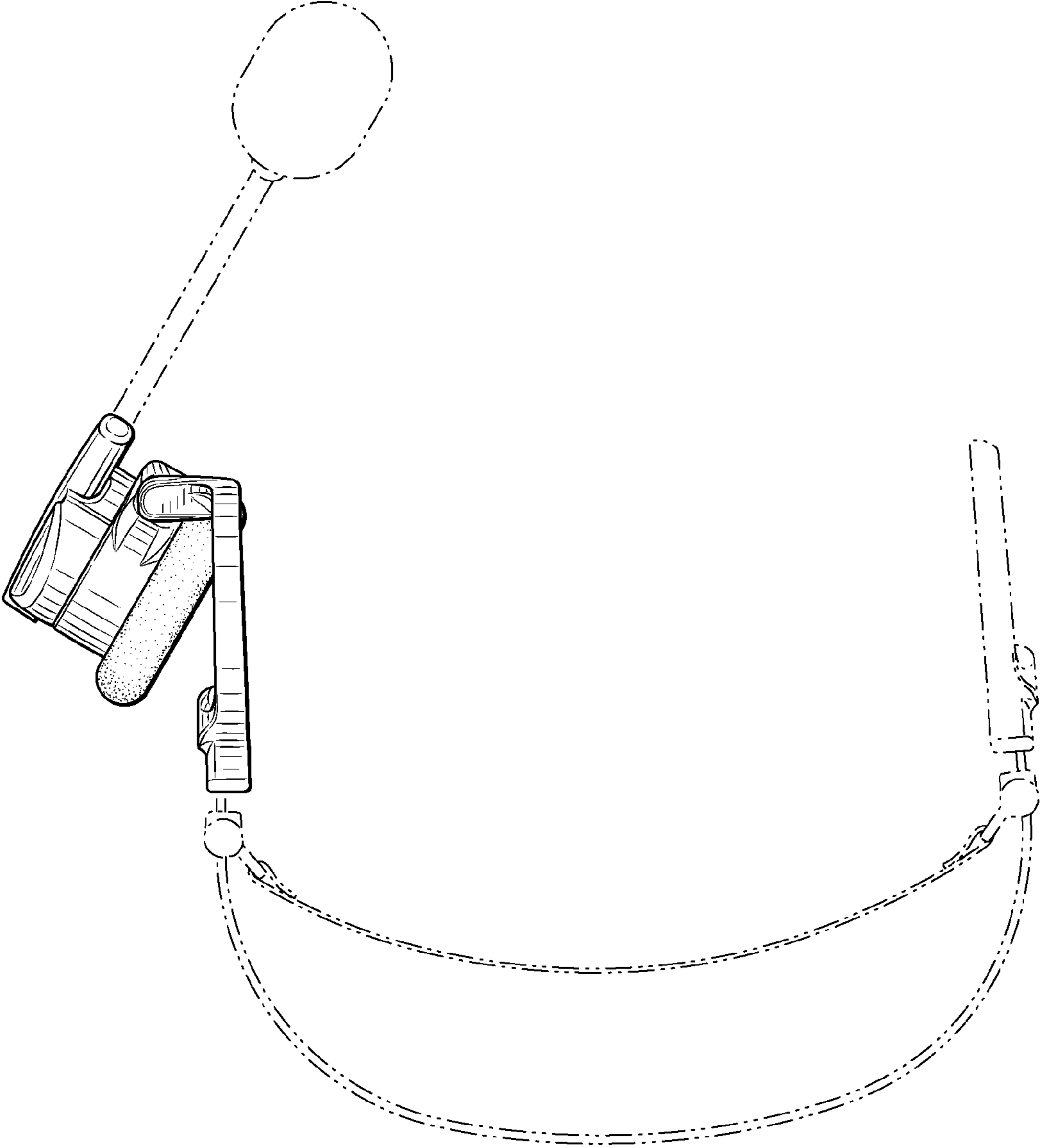


FIG. 8