



US00D613264S

(12) **United States Design Patent**  
**Sugiyama et al.**

(10) **Patent No.:** **US D613,264 S**

(45) **Date of Patent:** **\*\* Apr. 6, 2010**

(54) **RADIO TUNER**

(75) Inventors: **Mitsuhiro Sugiyama**, Atsugi (JP);  
**Yoshio Nakajima**, Atsugi (JP)

(73) Assignee: **Mitsumi Electric Co., Ltd**, Tokyo (JP)

(\*\*) Term: **14 Years**

(21) Appl. No.: **29/326,034**

(22) Filed: **Oct. 10, 2008**

(30) **Foreign Application Priority Data**

Apr. 14, 2008 (JP) ..... 2008-009459

(51) **LOC (9) Cl.** ..... **14-03**

(52) **U.S. Cl.** ..... **D14/188; D13/147**

(58) **Field of Classification Search** ..... D14/168,  
D14/169, 188, 189, 193–198, 217, 265, 496;  
455/344–351, 100, 128; 381/351, 386; D13/133,  
D13/147

See application file for complete search history.

(56) **References Cited**

**U.S. PATENT DOCUMENTS**

D475,988 S \* 6/2003 Otani et al. .... D14/188  
D518,815 S \* 4/2006 Otani ..... D14/188  
D533,508 S \* 12/2006 Suzuki et al. .... D13/147

D556,734 S \* 12/2007 Otani ..... D14/188  
D572,354 S \* 7/2008 Tsuchiya et al. .... D23/355  
D591,683 S \* 5/2009 Suzuki et al. .... D13/147  
D597,950 S \* 8/2009 Suzuki et al. .... D13/147  
2005/0162242 A1 \* 7/2005 Ootori et al. .... 334/85

\* cited by examiner

*Primary Examiner*—Stella M Reid

*Assistant Examiner*—Keli L Hill

(74) *Attorney, Agent, or Firm*—Sughrue Mion, PLLC

(57) **CLAIM**

The ornamental design for a radio tuner, as shown and described.

**DESCRIPTION**

FIG. 1 is a front, top, right perspective view thereof;

FIG. 2 is a front elevation view thereof;

FIG. 3 is a back elevation view thereof;

FIG. 4 is a top plan view thereof;

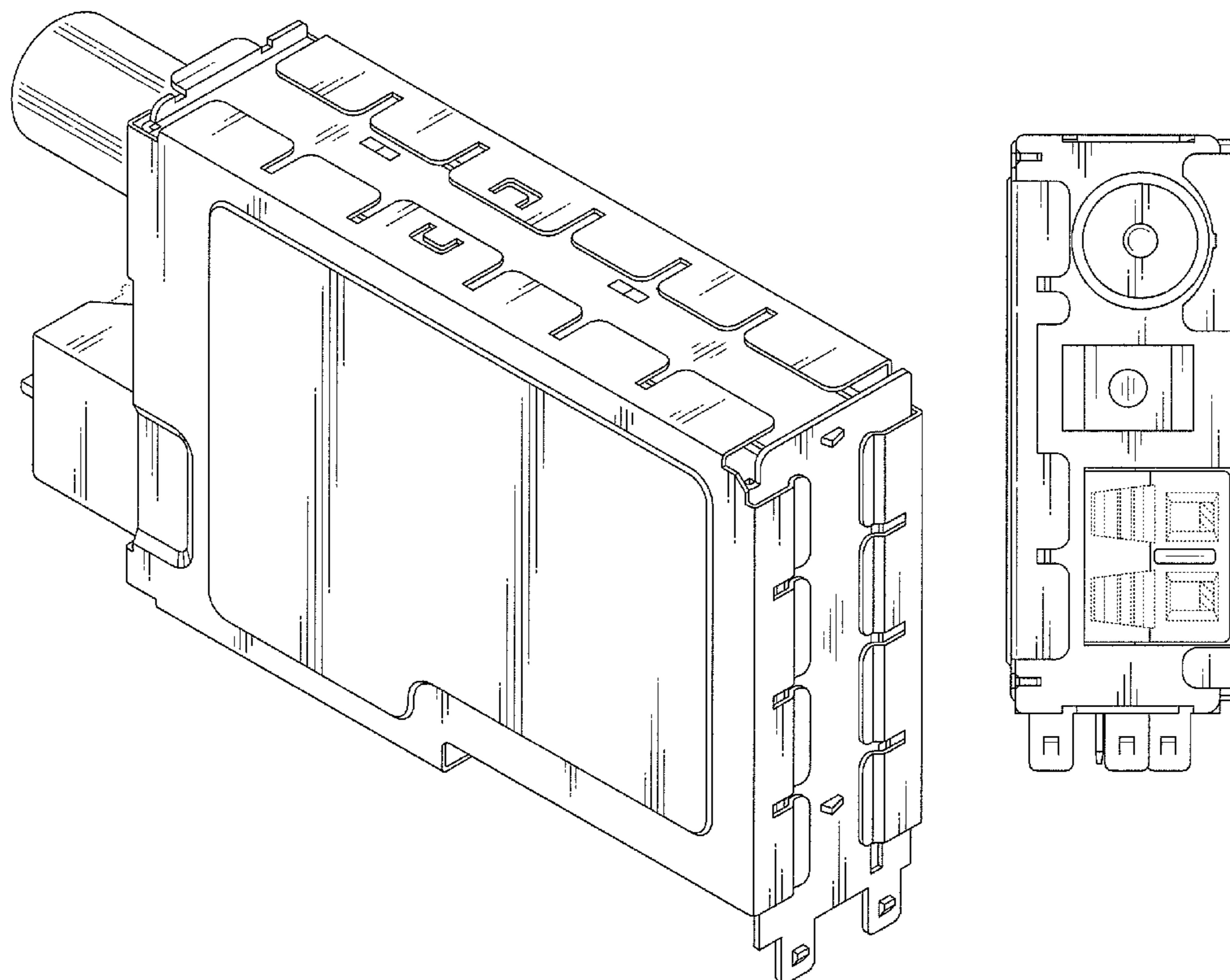
FIG. 5 is a bottom plan view thereof;

FIG. 6 is a right elevation view thereof; and,

FIG. 7 is a left elevation view thereof.

The broken lines represent the portions of the design that form no part of the claim.

**1 Claim, 5 Drawing Sheets**



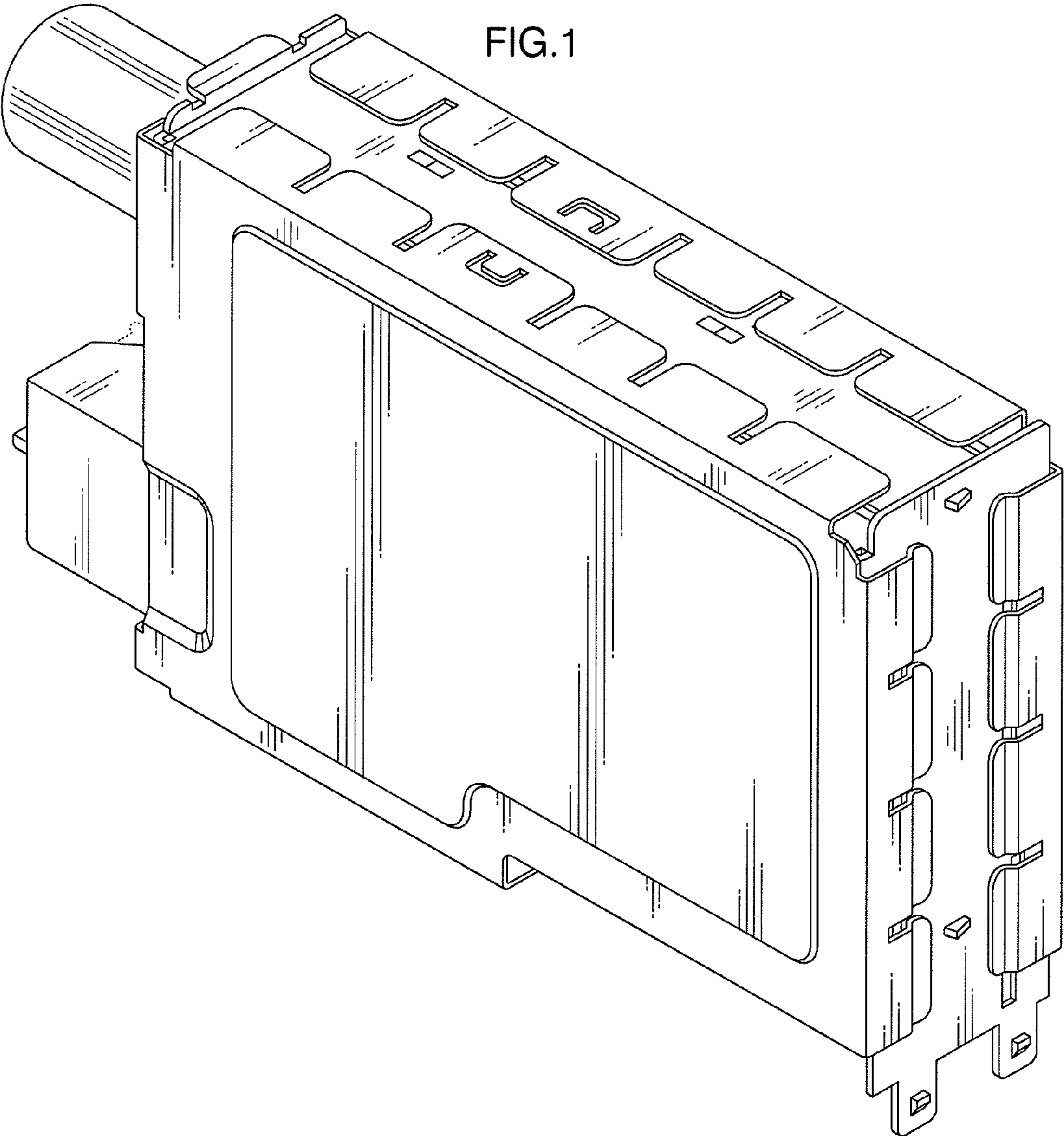


FIG.2

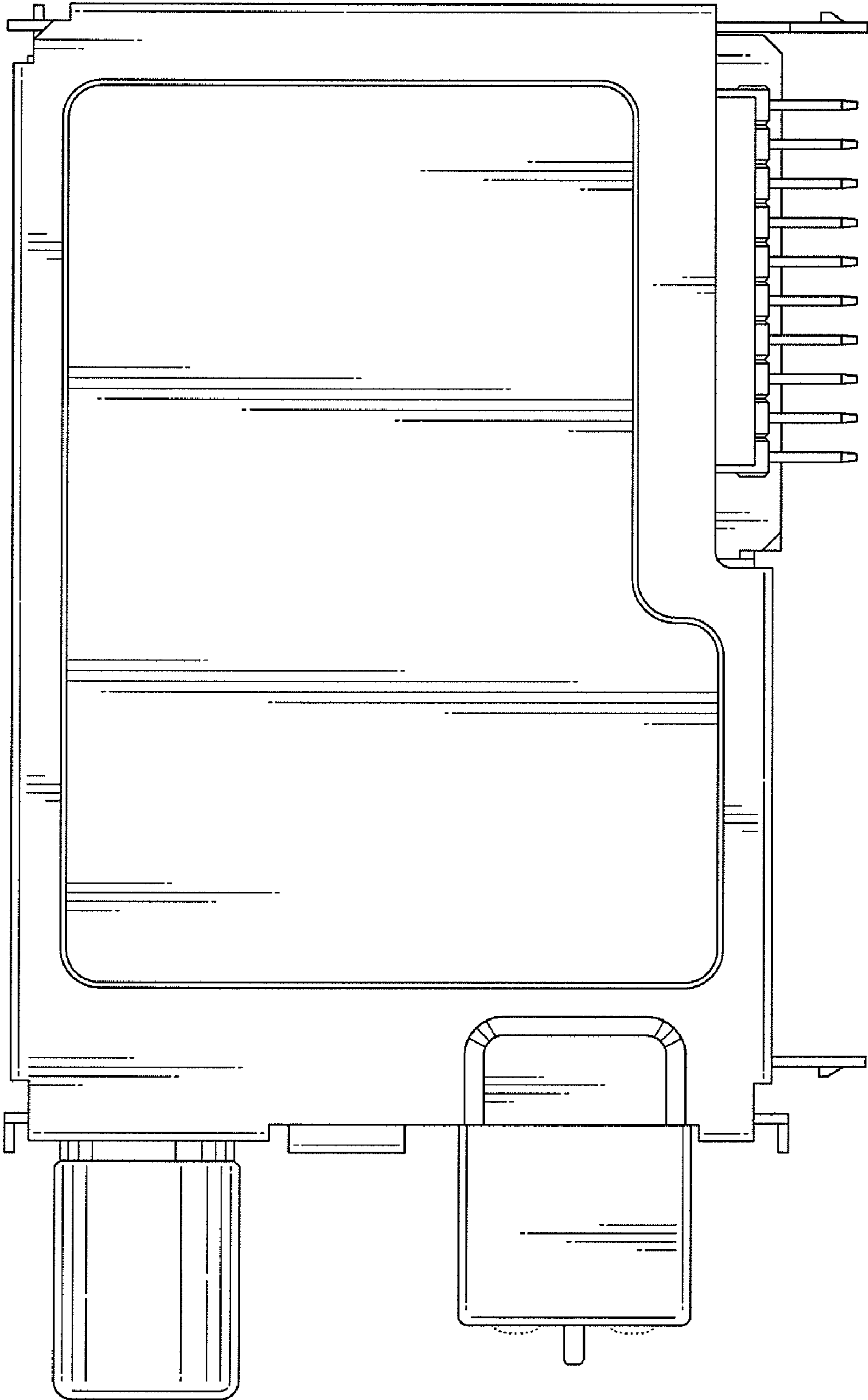


FIG.3

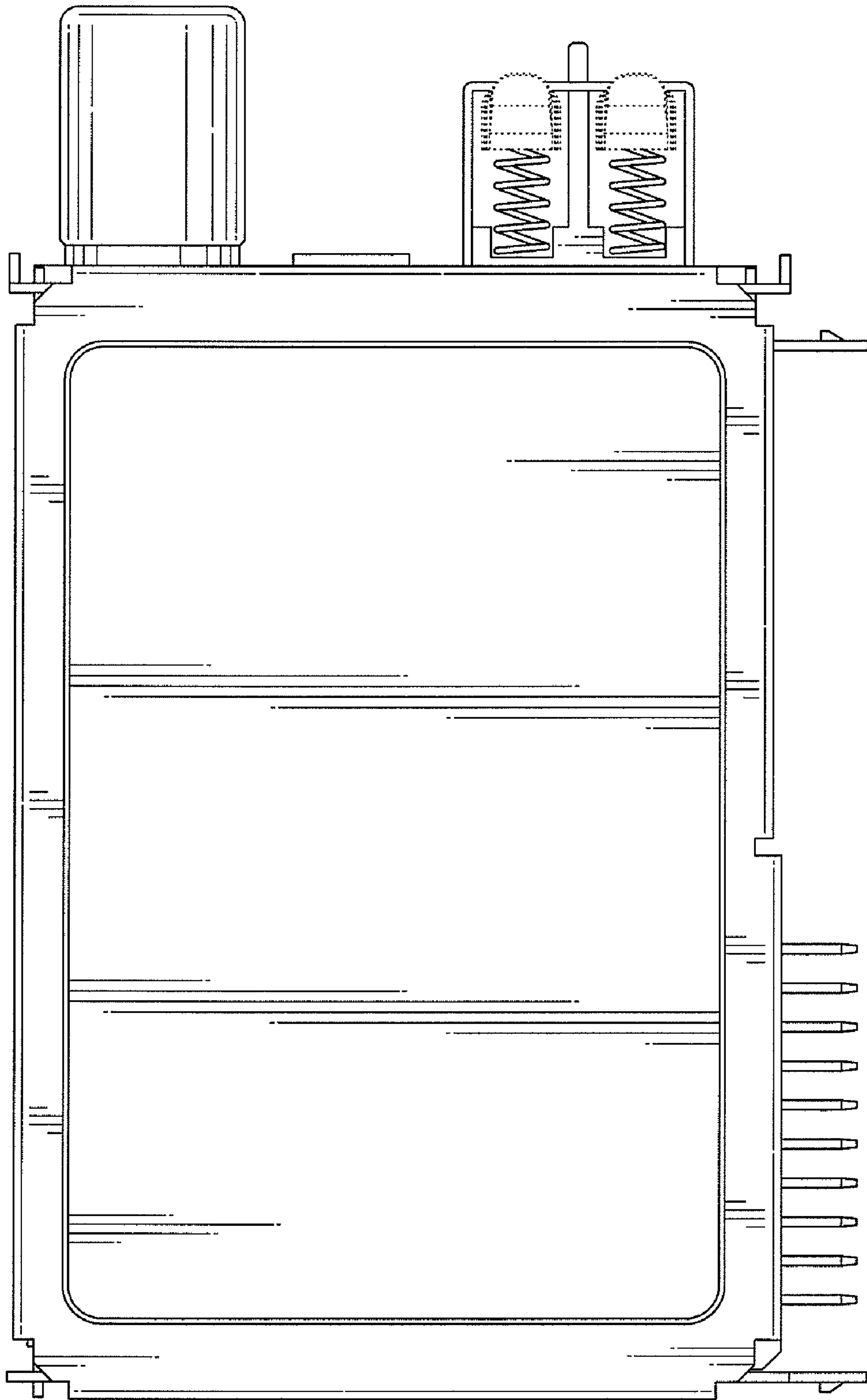


FIG.4

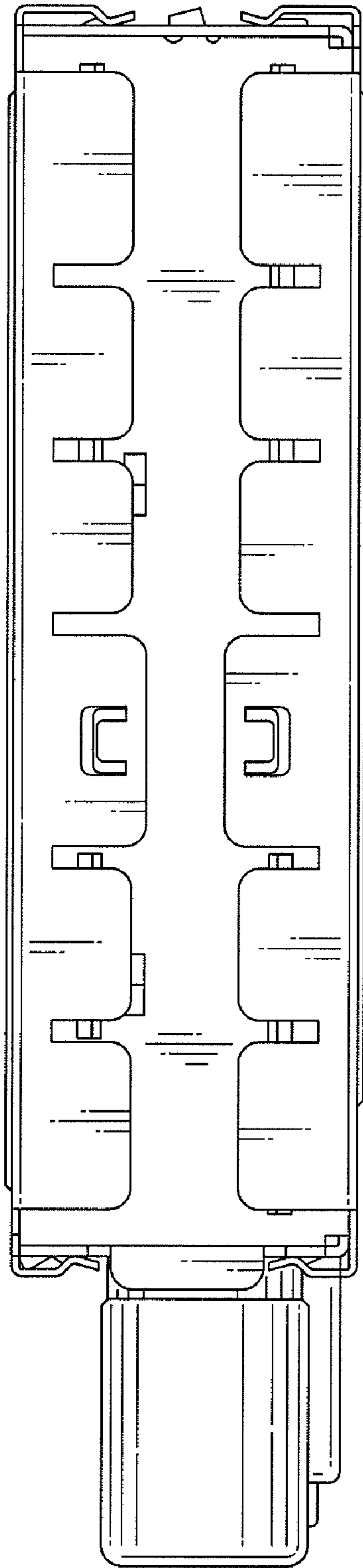


FIG.5

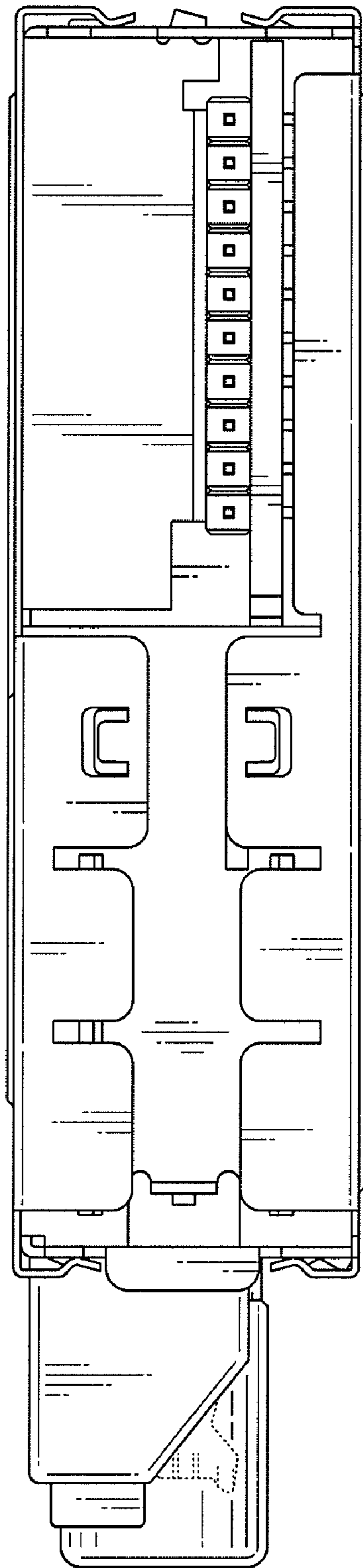


FIG.7

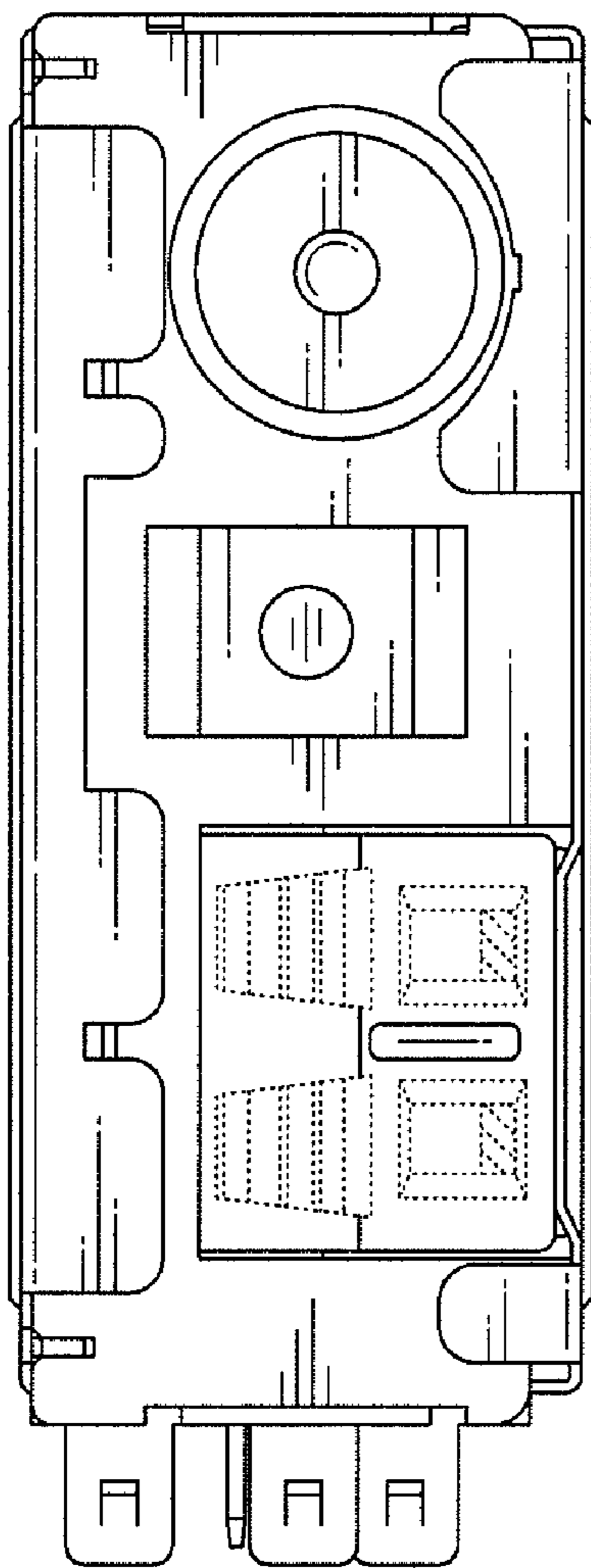


FIG.6

