



US00D613260S

(12) **United States Design Patent**
Derocher et al.

(10) **Patent No.:** **US D613,260 S**
(45) **Date of Patent:** **** Apr. 6, 2010**

(54) **VIDEO CONFERENCE ENDPOINT**

Primary Examiner—Raphael Barkai

(75) Inventors: **Michael D. Derocher**, Albany, OR (US);
Bradley L. Allen, Salem, OR (US);
Mark E Gorzynski, Corvallis, OR (US);
Wilfrido Loor Canizares, Campbell,
CA (US); **Mark Prommel**, Brooklyn,
NY (US)

(57) **CLAIM**

The ornamental design of a video conference endpoint, as shown and described.

(73) Assignee: **Hewlett-Packard Development Company, L.P.**, Houston, TX (US)

DESCRIPTION

(**) Term: **14 Years**

(21) Appl. No.: **29/333,693**

(22) Filed: **Mar. 13, 2009**

(51) **LOC (9) Cl.** **14-03**

(52) **U.S. Cl.** **D14/127**

(58) **Field of Classification Search** D14/125–134,
D14/239, 371, 136, 374–377, 440, 450, 448,
D14/336, 342; 312/7.2; 348/836, 838, 180,
348/184, 325, 739; 341/12; 248/917–924,
248/465; 345/104, 133, 156, 168, 87, 173;
720/605, 669, 600, 655; 369/99, 197; 455/344,
455/347; D21/329, 515, 577, 622, 333, 433,
D21/448, 452, 450, 331; D6/477, 479, 300;
273/148 B; 446/484, 175, 356; D10/15,
D10/26

See application file for complete search history.

FIG. 1 shows a top back perspective view of the video conference endpoint having a first participant size and embodying the new design;

FIG. 2 shows a top front perspective view of the video conference endpoint of FIG. 1;

FIG. 3 shows a top view of the video conference endpoint of FIG. 1;

FIG. 4 shows a right side view of the video conference endpoint of FIG. 1, the left side being a mirror image thereof;

FIG. 5 shows a top back perspective view of the video conference endpoint having a second participant size and embodying the new design;

FIG. 6 shows a top front perspective view of the video conference endpoint of FIG. 5;

FIG. 7 shows a top view of the video conference endpoint of FIG. 5; and,

FIG. 8 shows a right side view of the video conference endpoint of FIG. 5, the left side being a mirror image thereof.

The dashed-line showing of environment in the various figures is for illustrative purposes only and forms no part of the claimed design.

The design relates to the appearance of the video conference endpoint. The video conference endpoint comprises a media wall, a table and a backdrop.

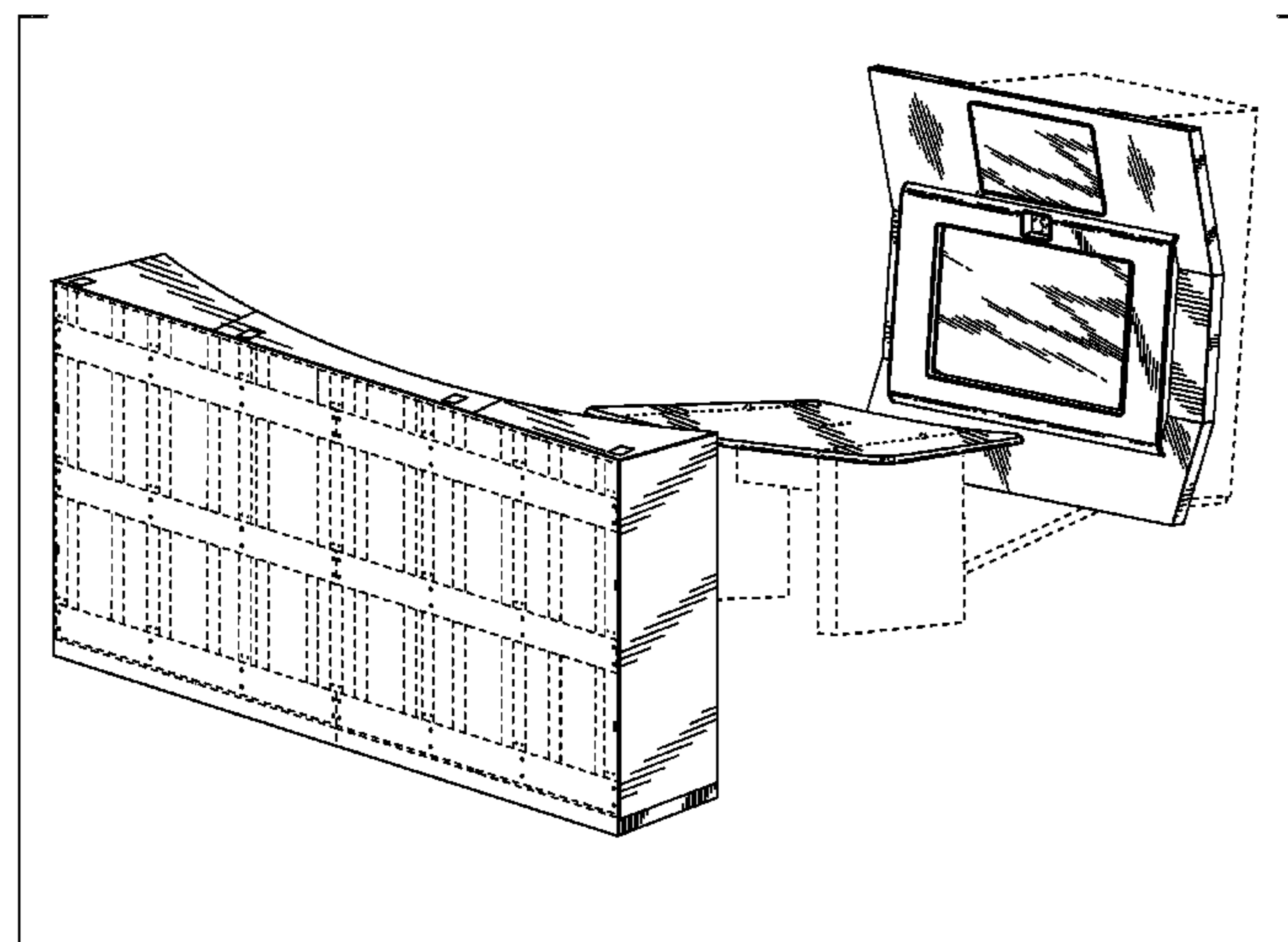
(56) **References Cited**

U.S. PATENT DOCUMENTS

D340,229 S	*	10/1993	Drabczyk et al.	D14/306
D440,543 S	*	4/2001	Kodimer	D14/127
D581,380 S	*	11/2008	Derocher et al.	D14/127
D583,781 S	*	12/2008	Derocher et al.	D14/129
D585,857 S	*	2/2009	Monson et al.	D14/127
D593,977 S	*	6/2009	Derocher et al.	D14/127

* cited by examiner

1 Claim, 8 Drawing Sheets



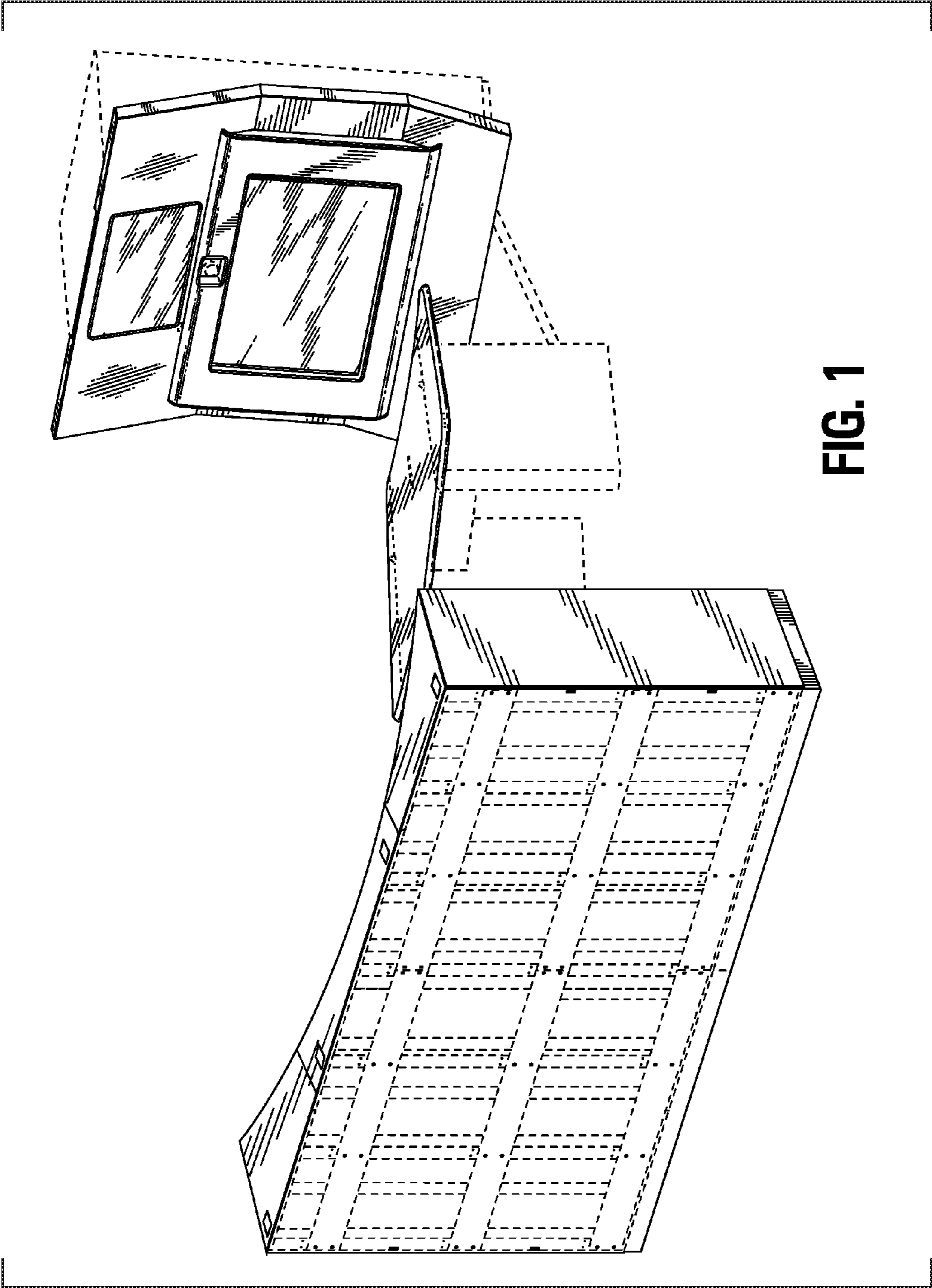


FIG. 1

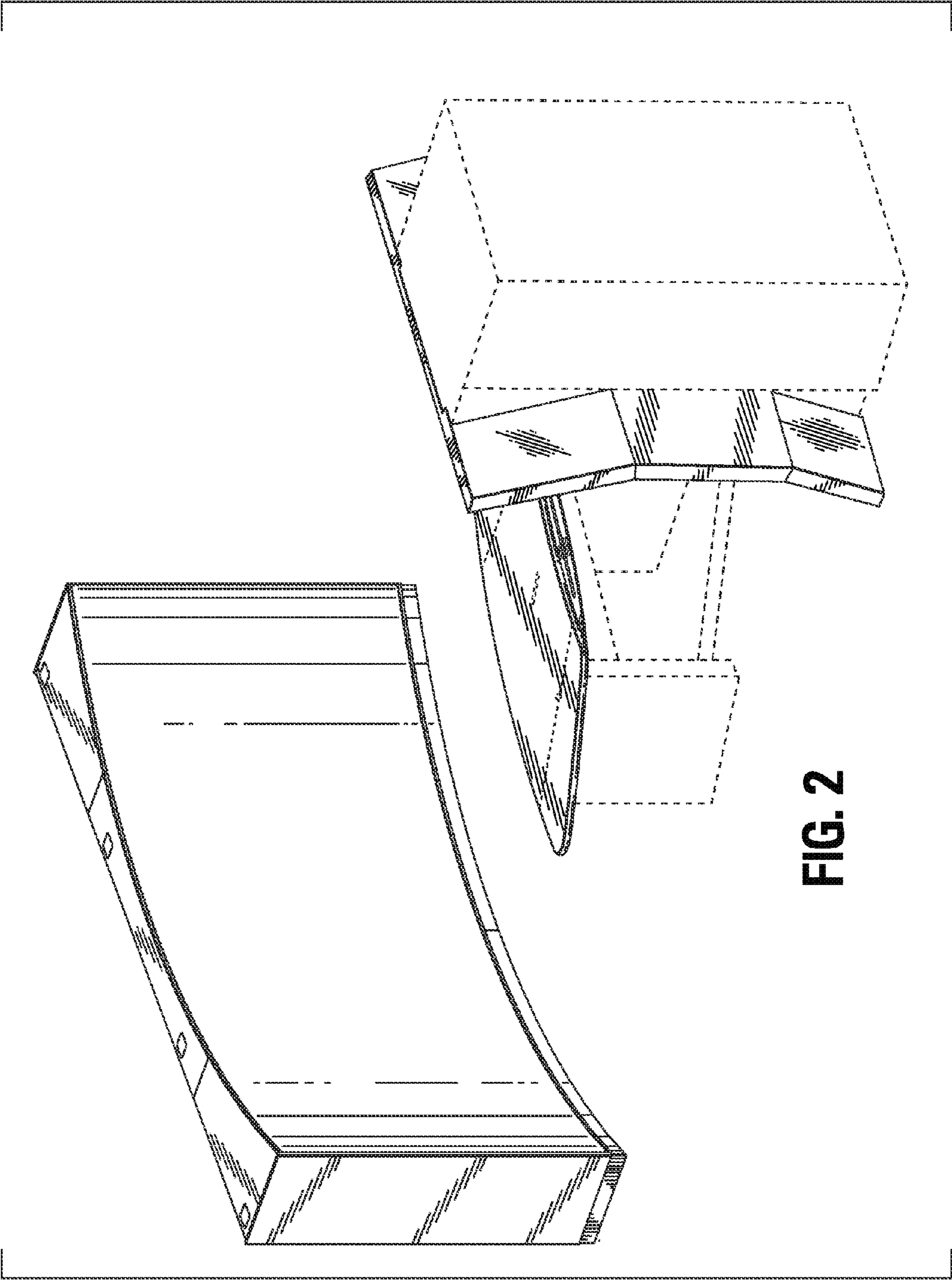


FIG. 2

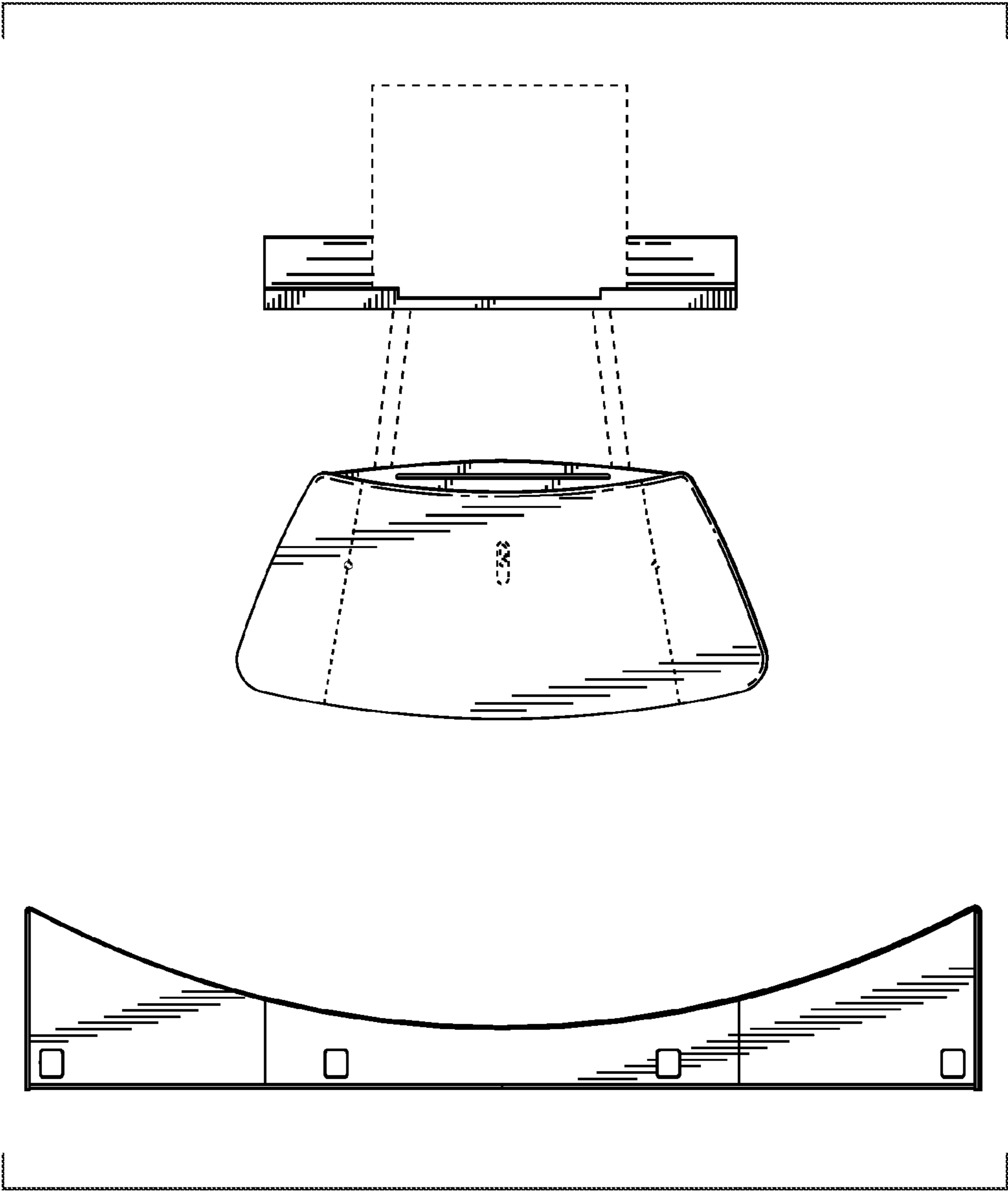


FIG. 3

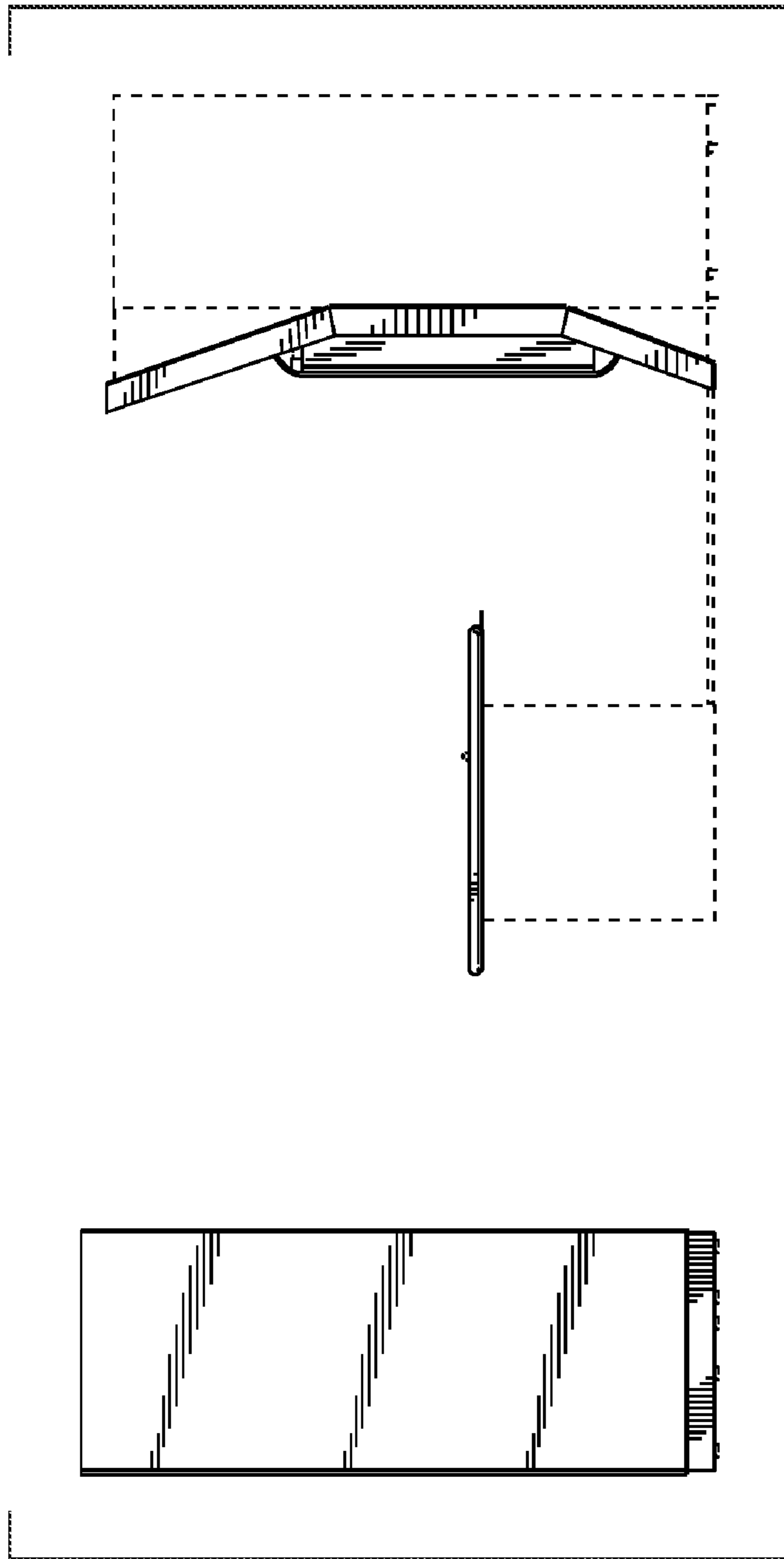


FIG. 4

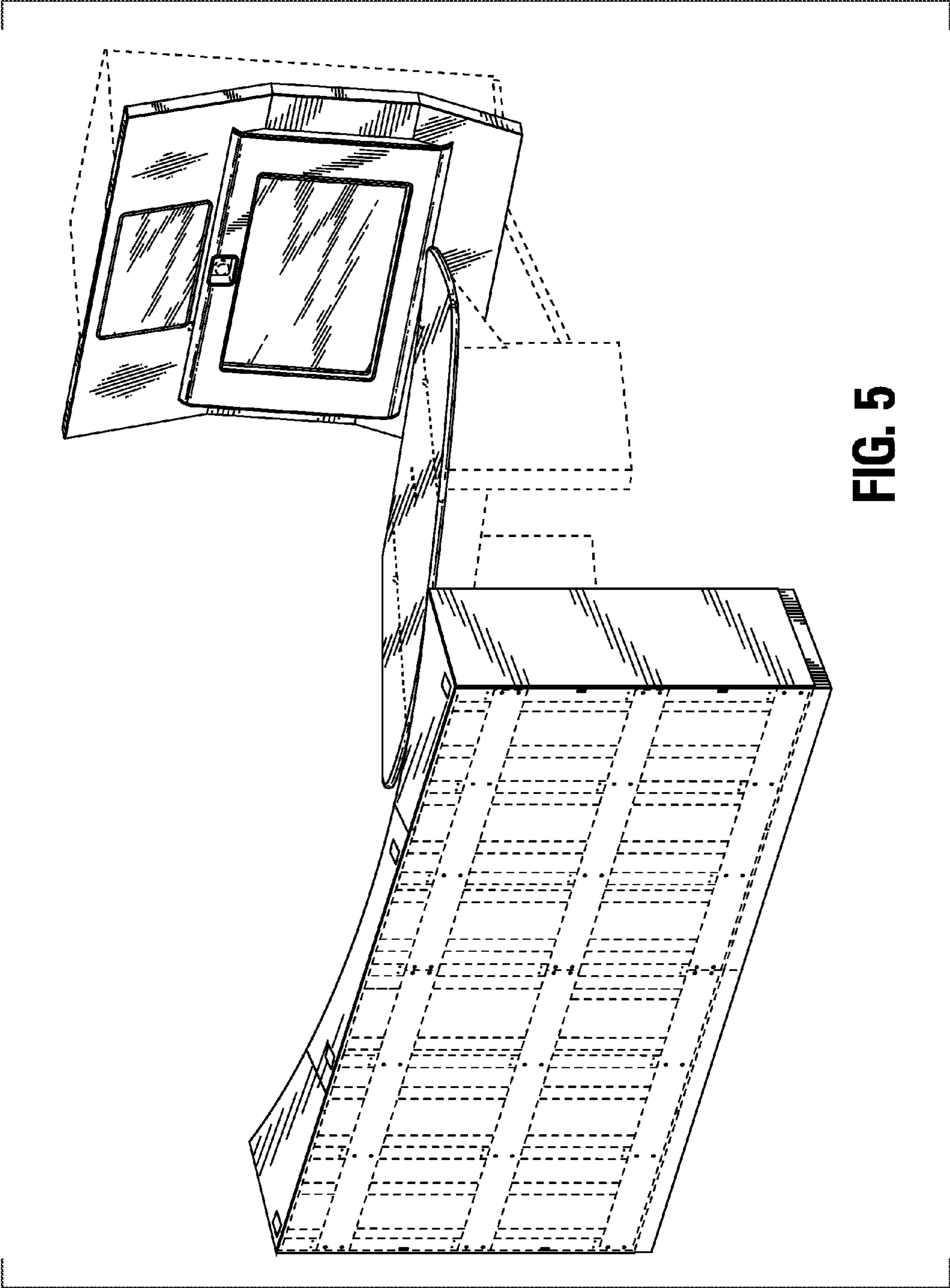


FIG. 5

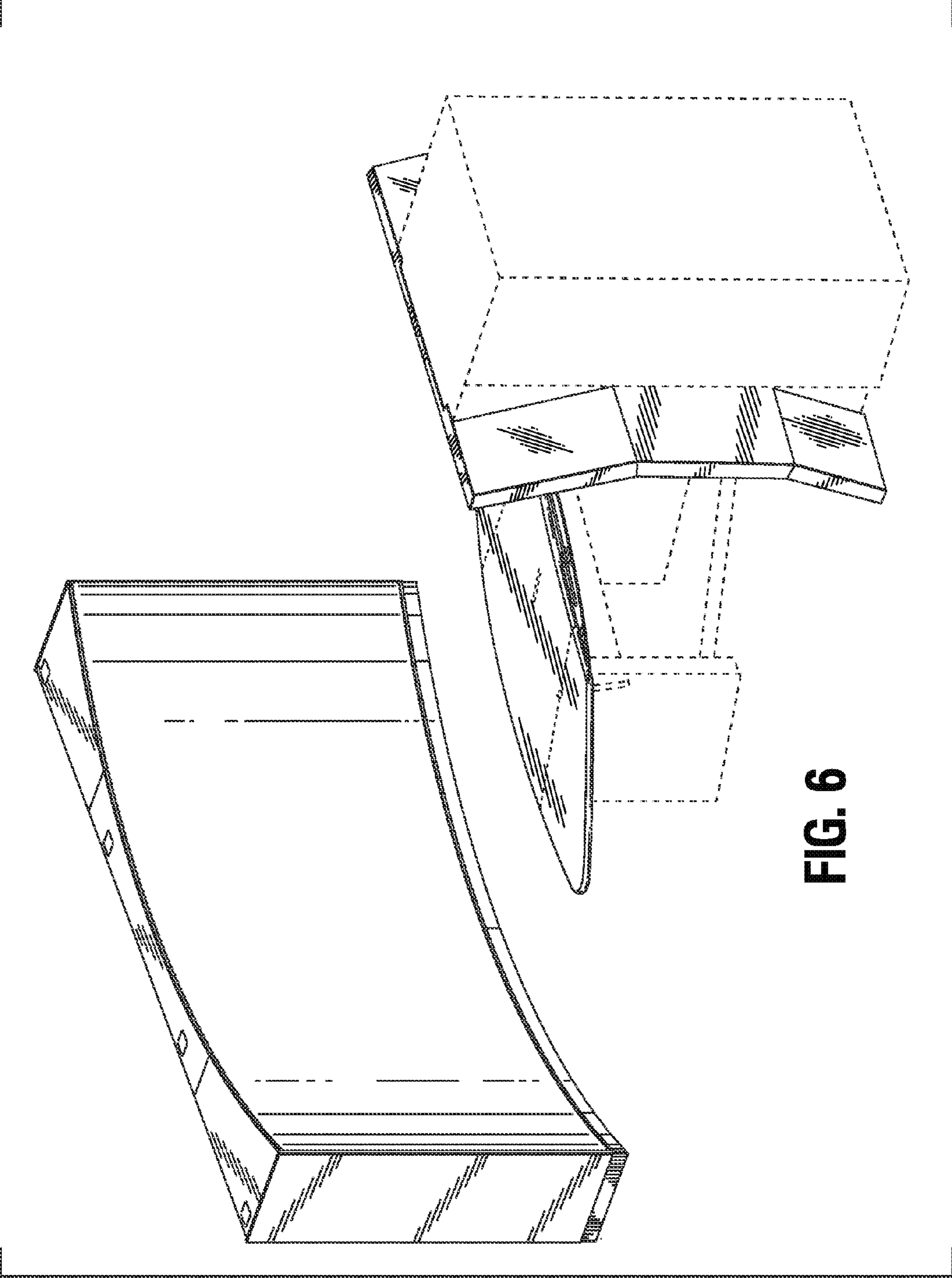


FIG. 6

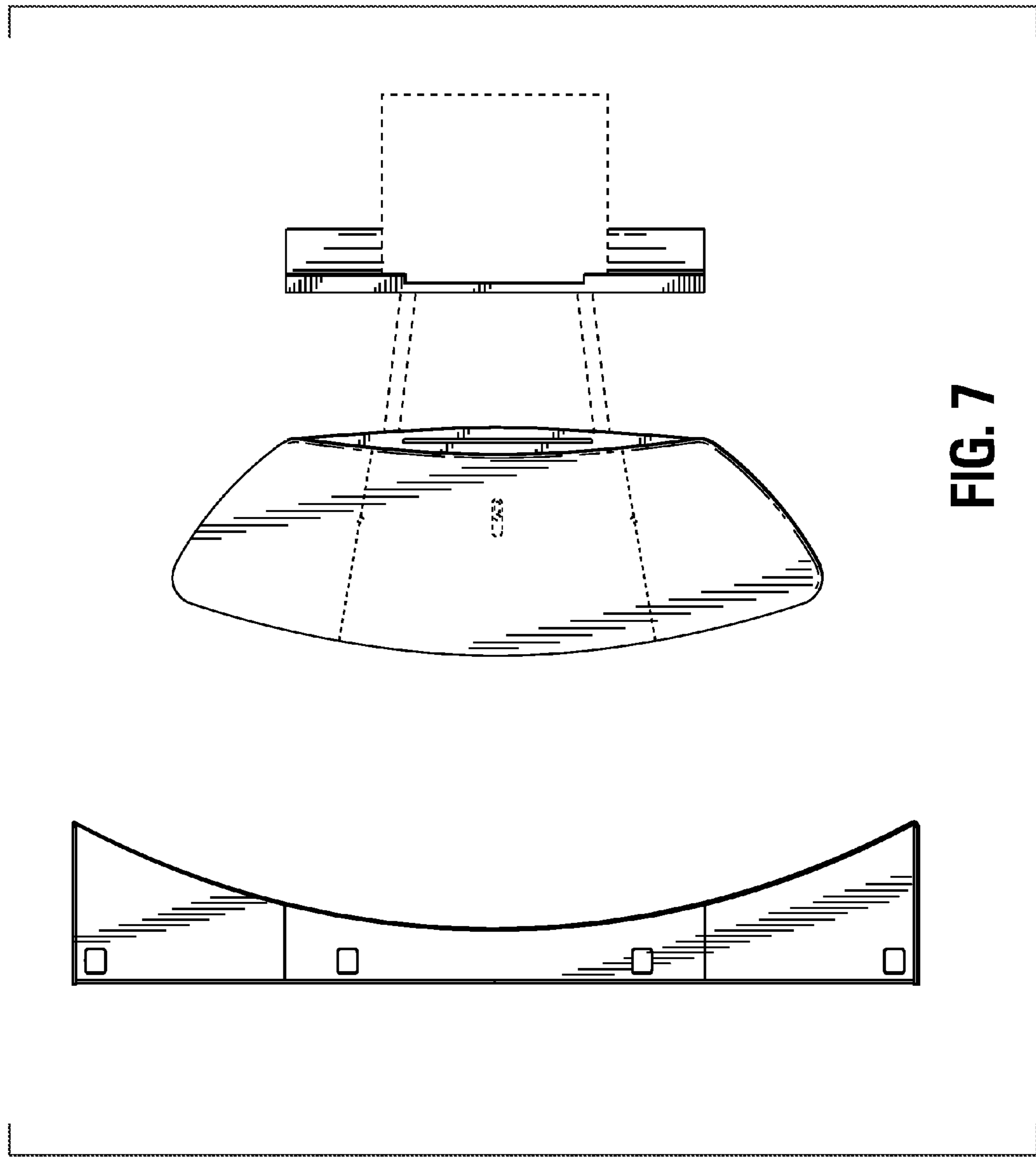


FIG. 7

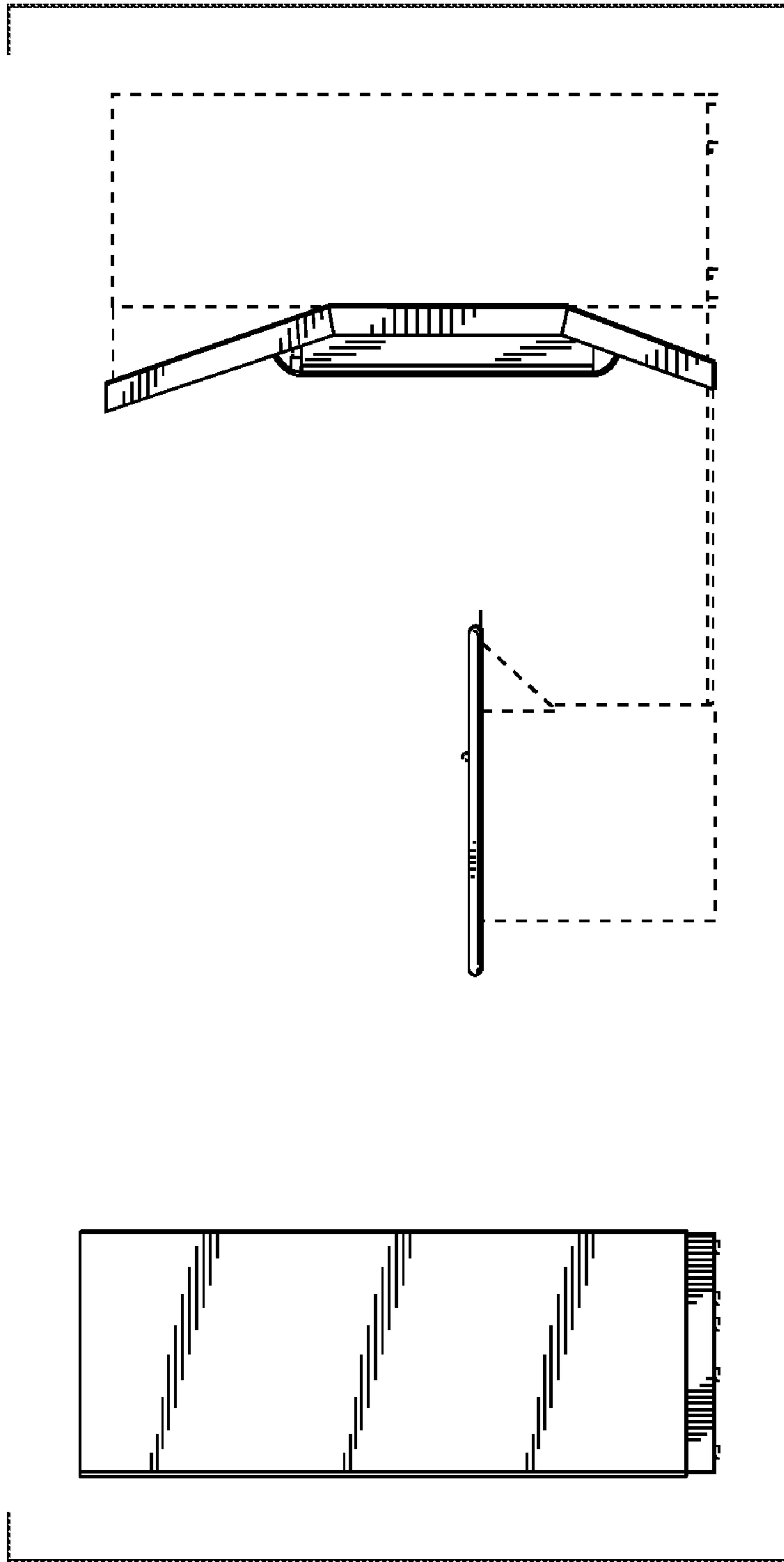


FIG. 8