



US00D613259S

(12) **United States Design Patent**
Lee et al.

(10) **Patent No.:** **US D613,259 S**
(45) **Date of Patent:** **** Apr. 6, 2010**

(54) **LIGHT EMITTING DIODE**

(75) Inventors: **Jae Jin Lee**, Ansan-si (KR); **Eun Seok Yeom**, Ansan-si (KR); **Jeong Gyoo Lee**, Ansan-si (KR)

(73) Assignee: **Seoul Semiconductor Co., Ltd.**, Seoul (KR)

(**) Term: **14 Years**

(21) Appl. No.: **29/329,421**

(22) Filed: **Dec. 15, 2008**

(51) **LOC (9) Cl.** **13-03**

(52) **U.S. Cl.** **D13/180**

(58) **Field of Classification Search** D13/180;
D26/2; 257/79, 80, 81, 88, 89, 95, 98, 99,
257/100, E33.058; 313/483, 498, 500; 362/555,
362/800

See application file for complete search history.

(56) **References Cited**

U.S. PATENT DOCUMENTS

7,242,035 B2 * 7/2007 Kim et al. 257/99
D558,693 S * 1/2008 Shin et al. D13/180
D593,965 S * 6/2009 Park et al. D13/180
D598,872 S * 8/2009 In et al. D13/180
2006/0023451 A1 * 2/2006 Han et al. 362/249

2007/0029564 A1 * 2/2007 Han et al. 257/98

* cited by examiner

Primary Examiner—Selina Sikder

(74) *Attorney, Agent, or Firm*—H.C. Park & Associates, PLC

(57) **CLAIM**

The ornamental design for a light emitting diode, as shown and described.

DESCRIPTION

FIG. 1 is a perspective view of a light emitting diode.

FIG. 2 is a front elevational view of the light emitting diode.

FIG. 3 is a rear elevational view of the light emitting diode.

FIG. 4 is a left side elevational view of the light emitting diode.

FIG. 5 is a right side elevational view of the light emitting diode.

FIG. 6 is a top plan view of the light emitting diode.

FIG. 7 is a bottom plan view of the light emitting diode.

FIG. 8 is a reference perspective view from a bottom view of FIG. 1; and,

FIG. 9 is a reference sectional view taken along line 9—9 of FIG. 2.

1 Claim, 4 Drawing Sheets

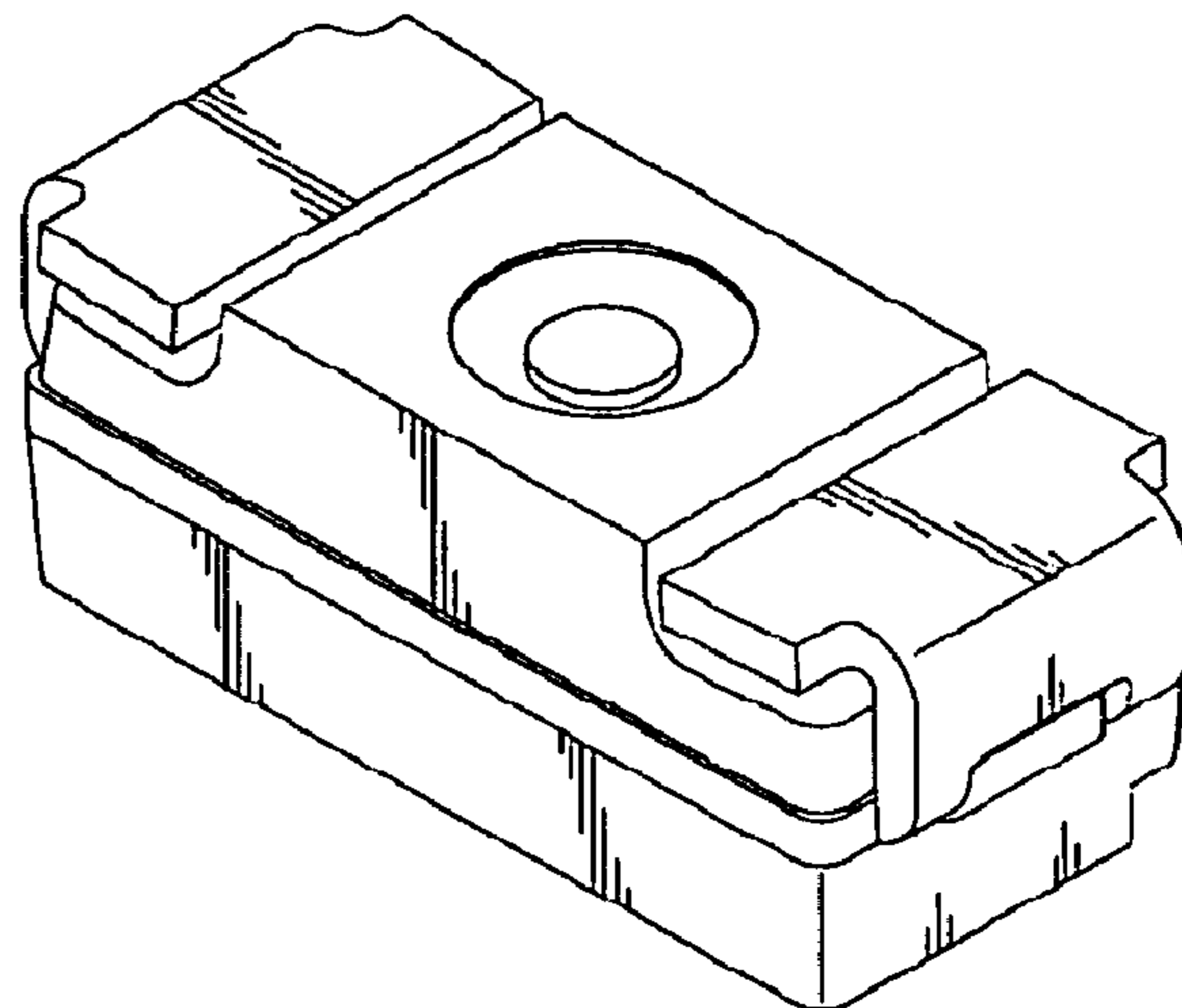
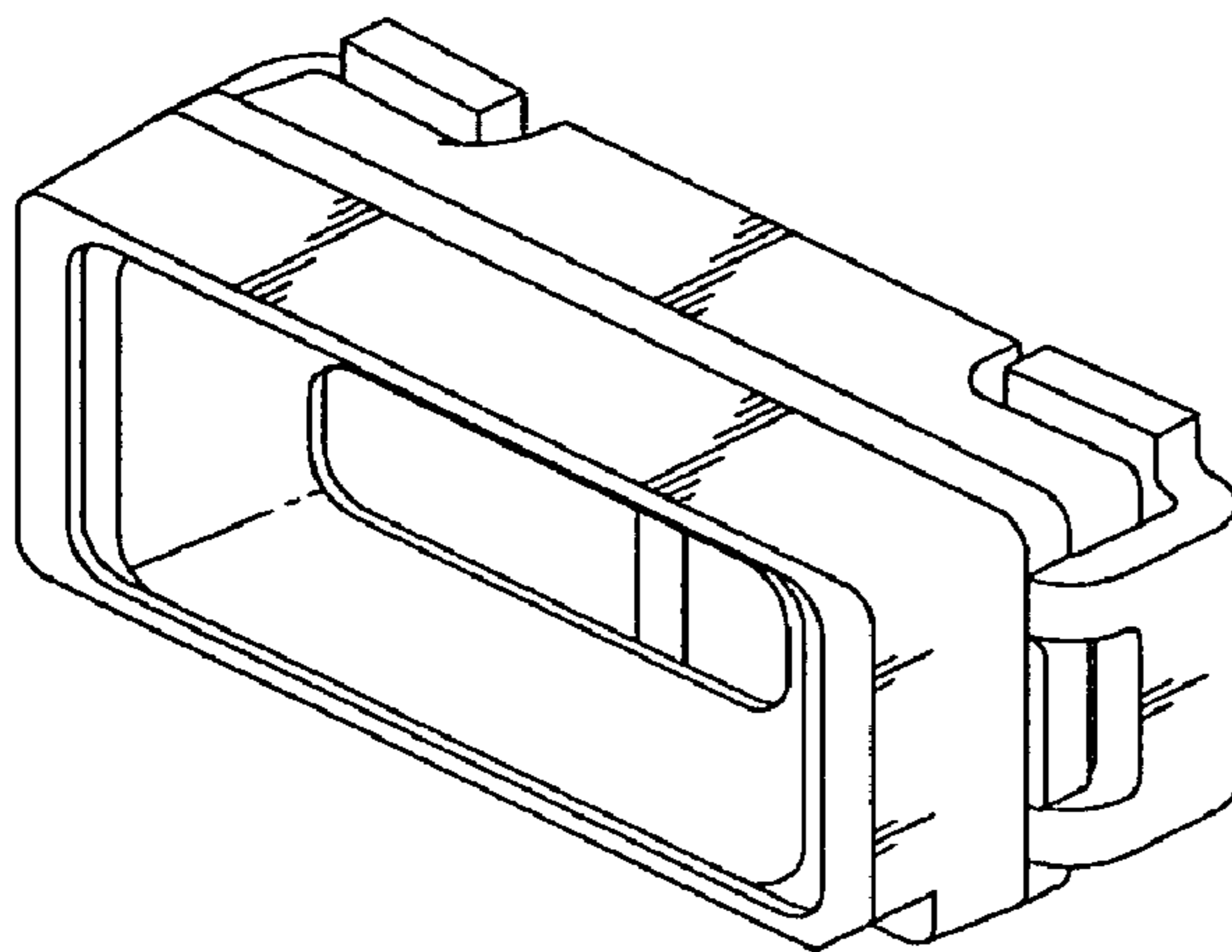


Fig. 1

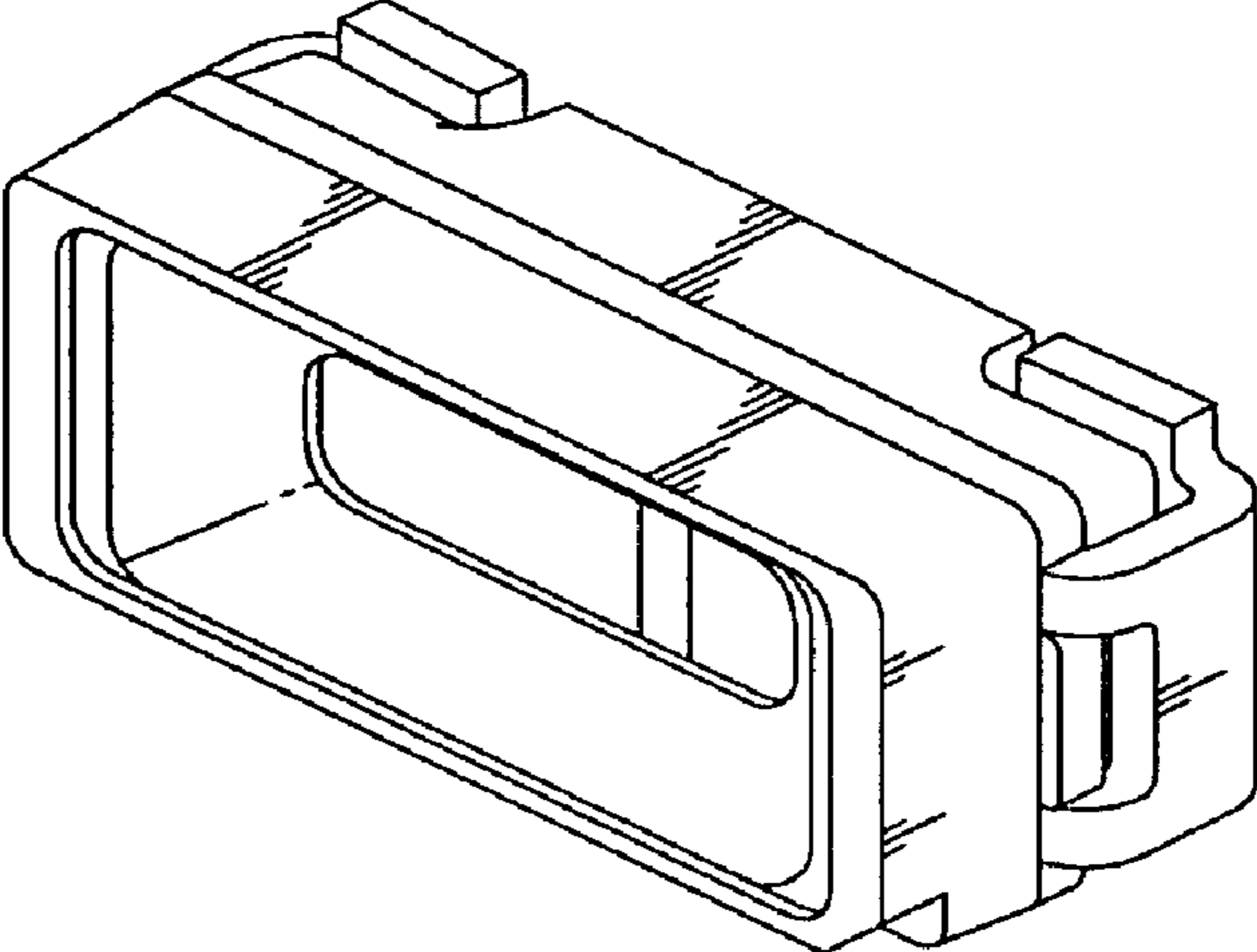


Fig. 2

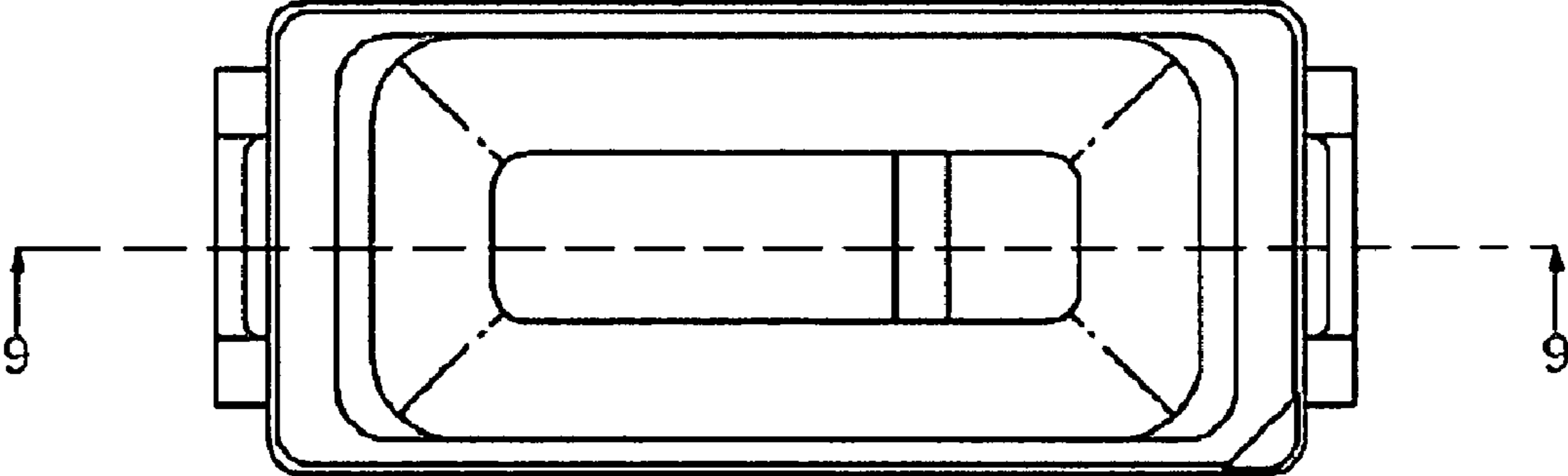


Fig. 3

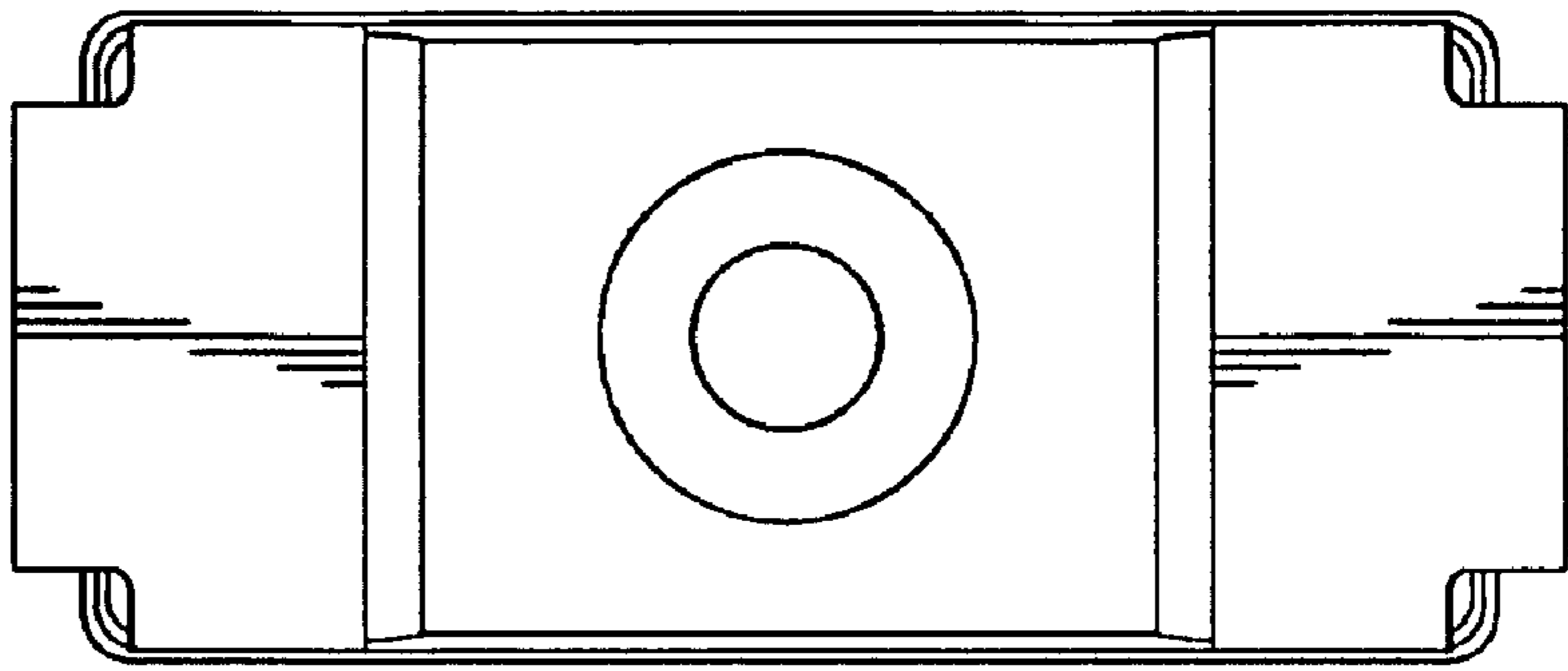


Fig. 4

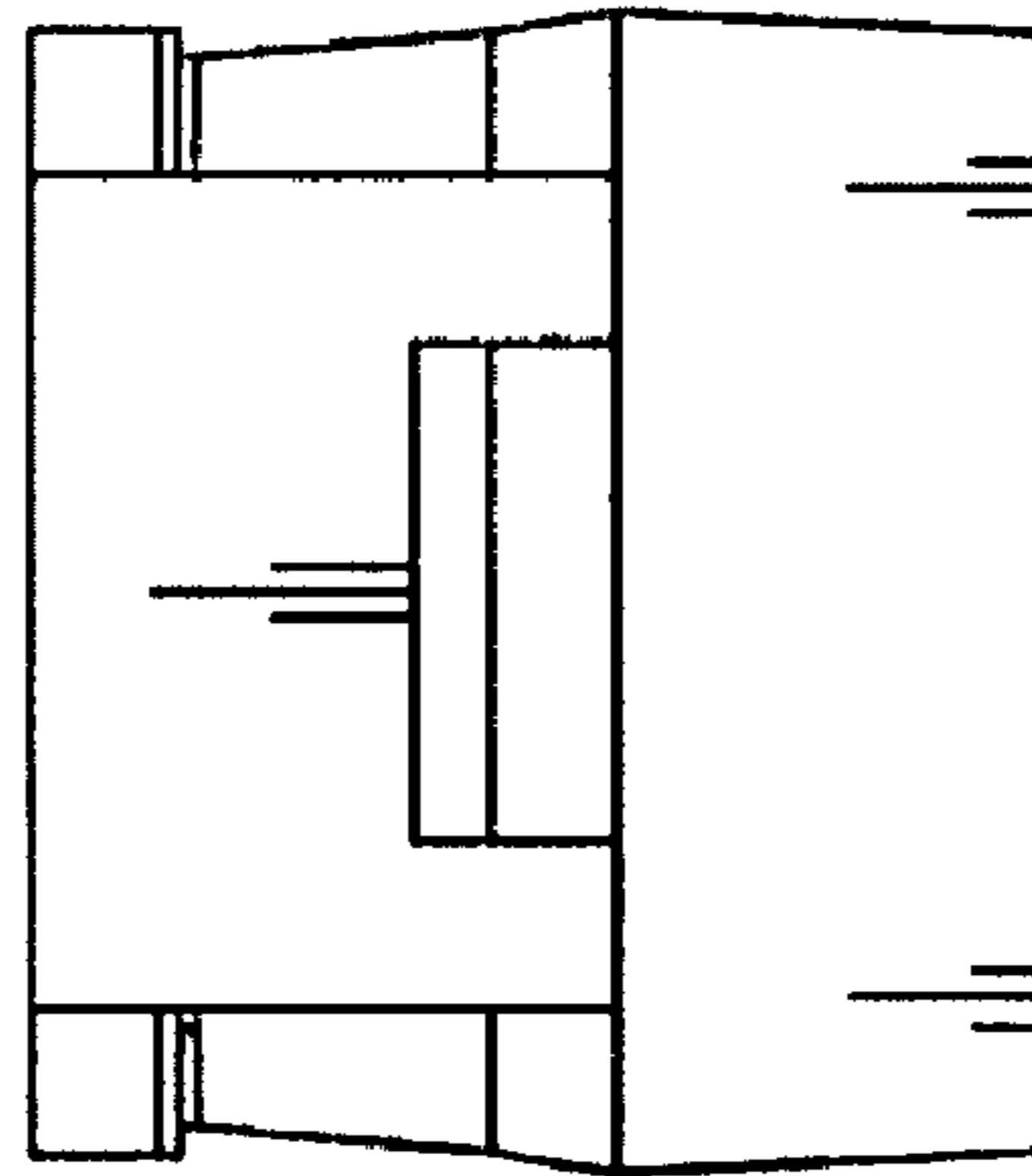


Fig. 5

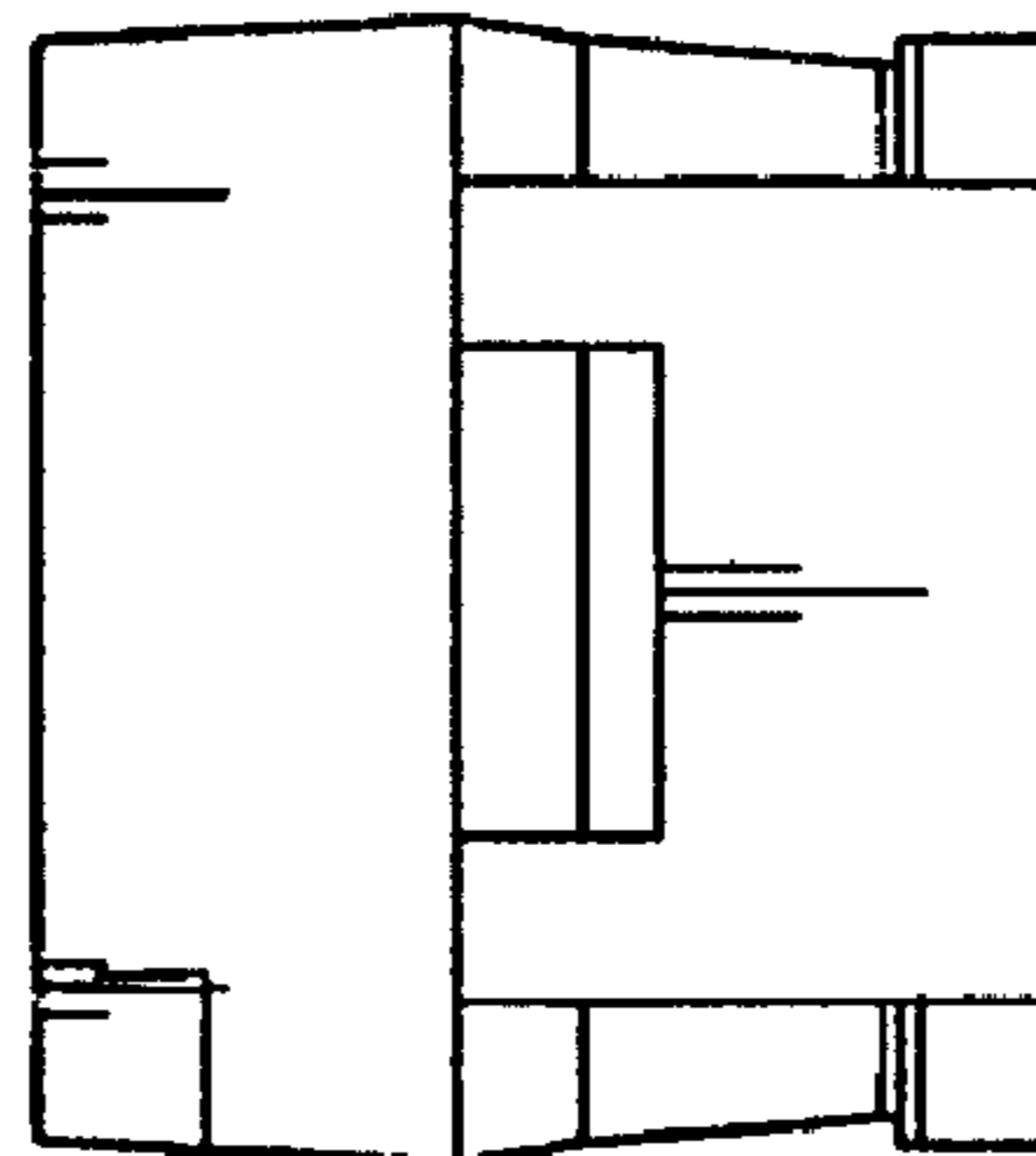


Fig. 6

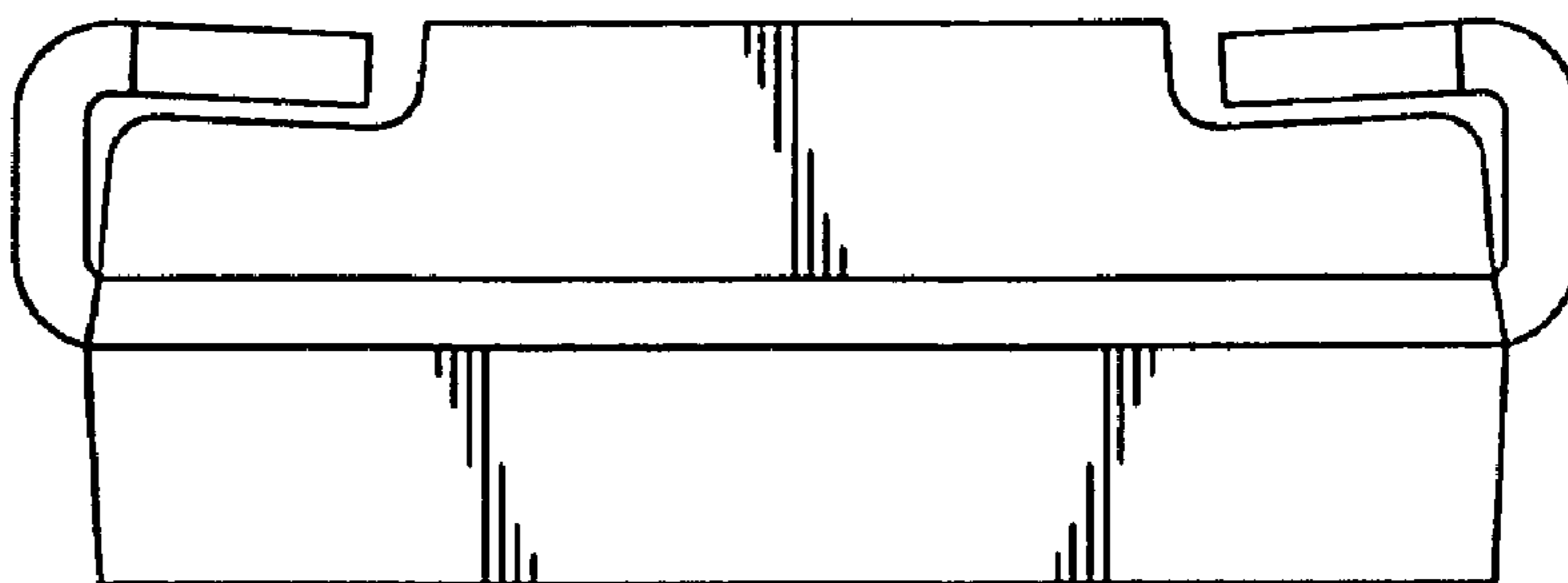


Fig. 7

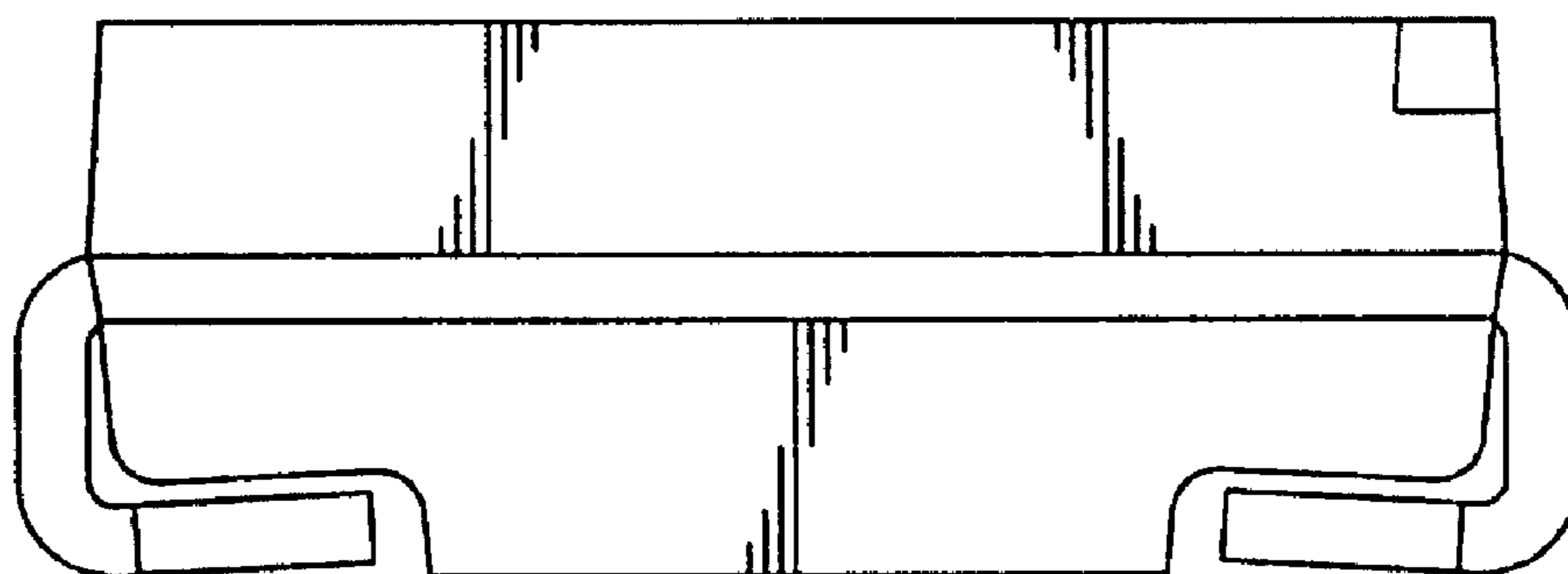


Fig. 8

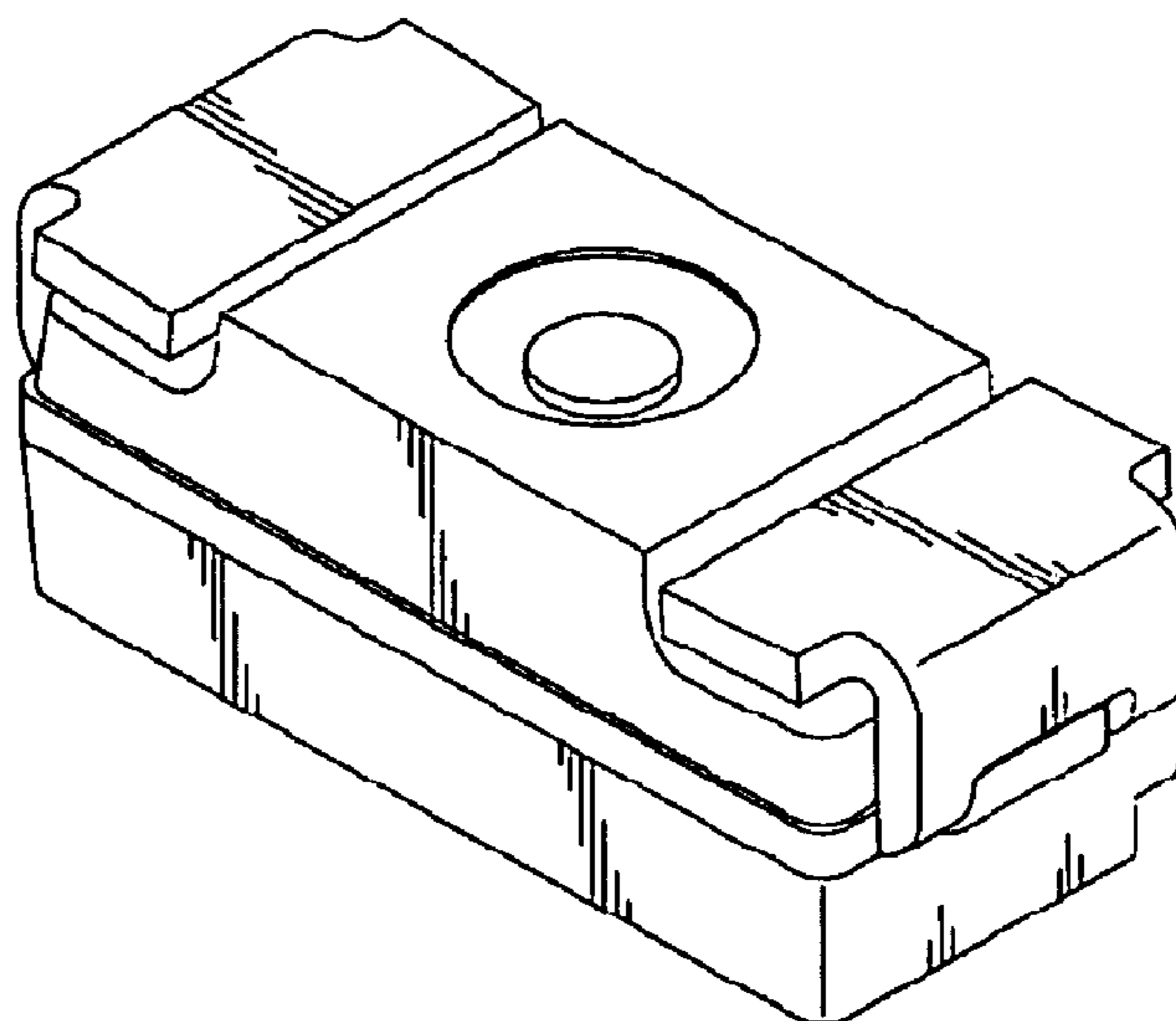


Fig. 9

