



US00D613258S

(12) **United States Design Patent**  
**Walker et al.**

(10) **Patent No.:** **US D613,258 S**  
(45) **Date of Patent:** **\*\* Apr. 6, 2010**

(54) **HEATSINK**  
(75) Inventors: **Justin M. Walker**, York, PA (US); **Neil Ruberg**, New Oxford, PA (US)  
(73) Assignee: **Koninklijke Philips Electronics N.V.**, Eindhoven (NL)

6,942,025 B2 \* 9/2005 Nair et al. .... 165/185  
7,182,124 B2 \* 2/2007 Chen ..... 165/80.3  
7,408,777 B2 \* 8/2008 Jeong ..... 361/704  
7,521,789 B1 \* 4/2009 Rinehart et al. .... 257/699  
7,593,230 B2 \* 9/2009 Abul-Haj et al. .... 361/710

(\*\*) Term: **14 Years**

\* cited by examiner

*Primary Examiner*—Selina Sikder

(21) Appl. No.: **29/337,179**

(57) **CLAIM**

(22) Filed: **May 15, 2009**

The ornamental design for a heatsink, as shown and described.

(51) **LOC (9) Cl.** ..... **13-03**  
(52) **U.S. Cl.** ..... **D13/179**  
(58) **Field of Classification Search** ..... D13/179;  
165/80.3, 104.33, 151, 122, 185; 257/706,  
257/707, 718–722; 361/687, 695, 697, 700,  
361/702, 704, 709, 710, 711, 719

**DESCRIPTION**

See application file for complete search history.

FIG. 1 is an upper right rear perspective view of the heatsink of the present invention;  
FIG. 2 is an upper left front perspective view of the heatsink of the present invention;  
FIG. 3 is a top view of the heatsink of the present invention;  
FIG. 4 is a front view of the heatsink of the present invention, a rear view thereof being a mirror image of the front view; and,  
FIG. 5 is a left side view of the heatsink of the present invention, a right side view thereof being a mirror image of the left side view.

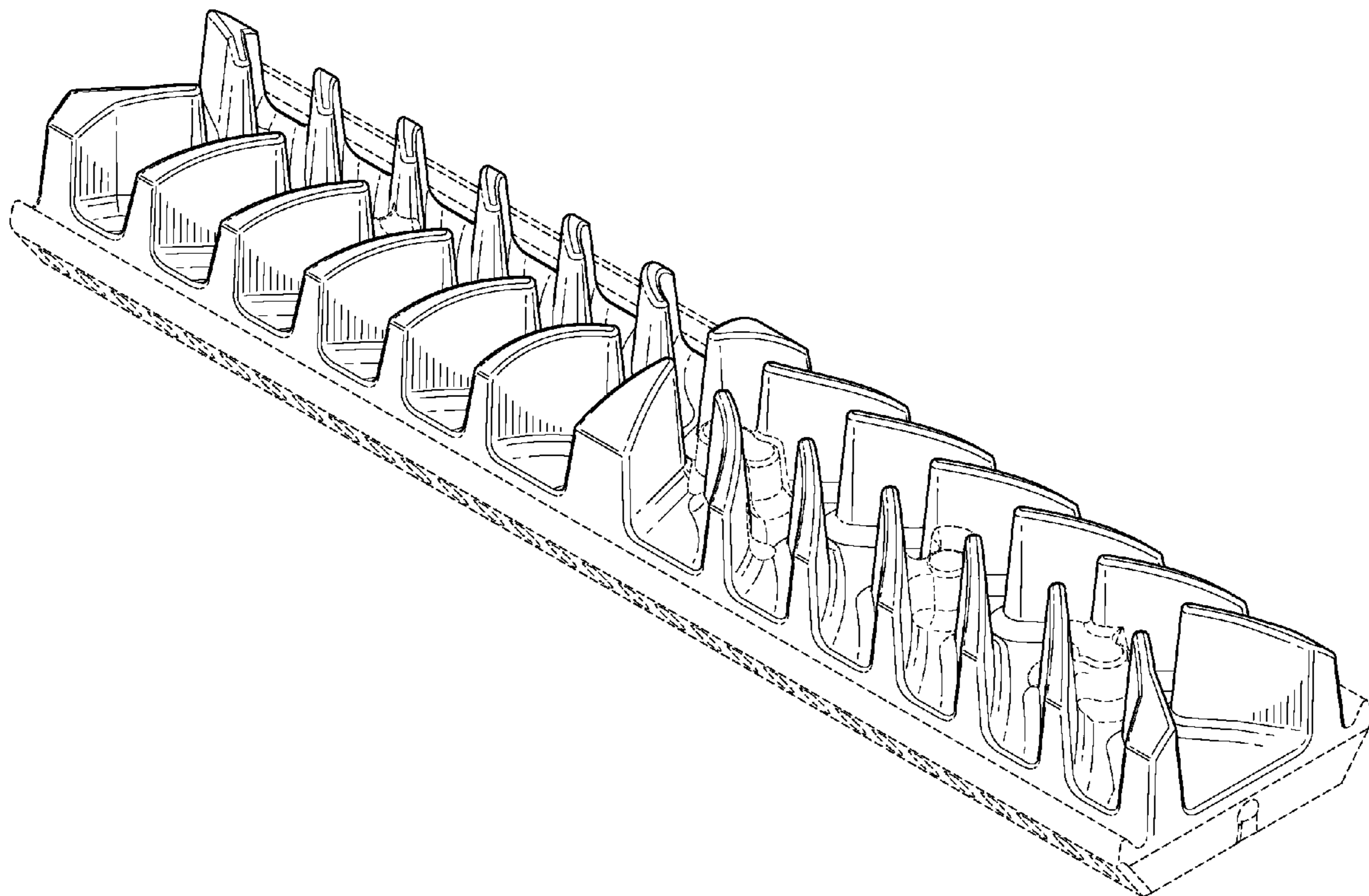
(56) **References Cited**

**U.S. PATENT DOCUMENTS**

5,194,935 A \* 3/1993 Kitano et al. .... 257/706  
D367,469 S \* 2/1996 Widmayer et al. .... D13/179  
5,582,240 A \* 12/1996 Widmayer ..... 165/80.3  
D379,799 S \* 6/1997 Widmayer et al. .... D13/179  
D399,831 S \* 10/1998 Dodson ..... D13/179  
6,199,624 B1 \* 3/2001 Wotring ..... 165/80.3  
6,397,931 B1 \* 6/2002 Lin et al. .... 165/80.3  
6,830,097 B2 \* 12/2004 Wattlelet et al. .... 165/104.21  
6,919,504 B2 \* 7/2005 McCutcheon et al. .... 174/16.3

The broken lines showing environmental structure are for illustrative purposes only and form no part of the claimed design.

**1 Claim, 5 Drawing Sheets**



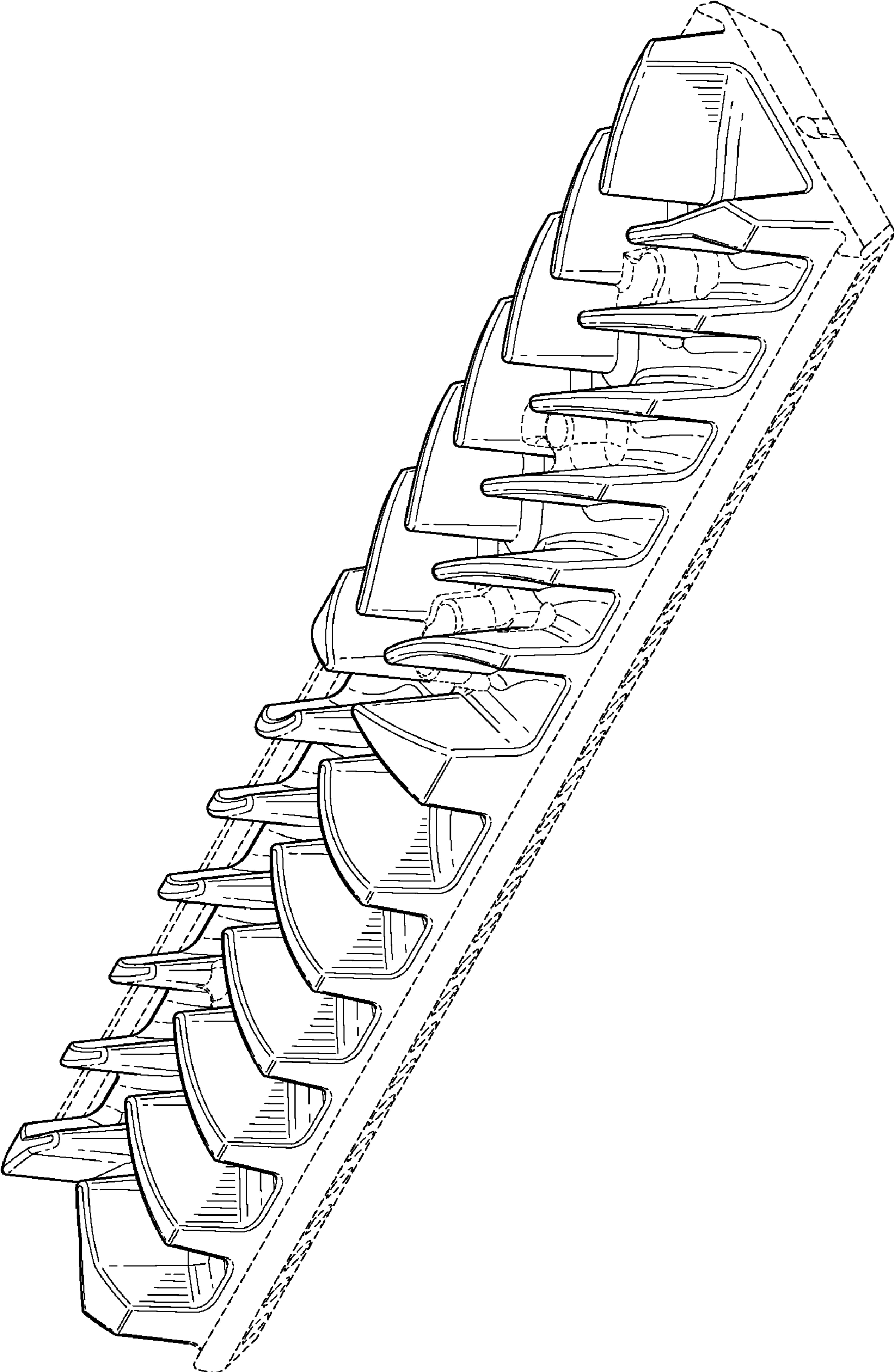


FIG. 1

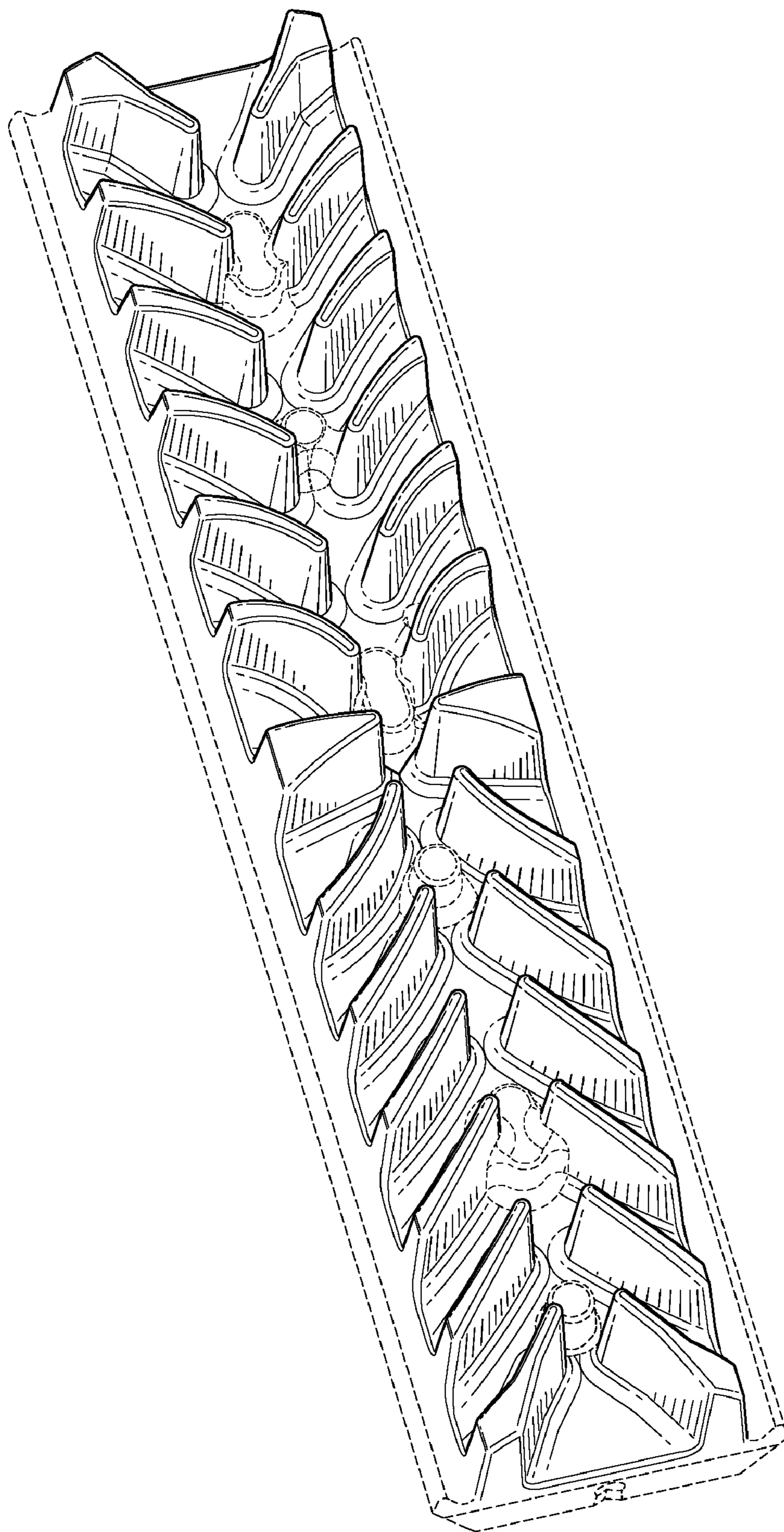


FIG. 2

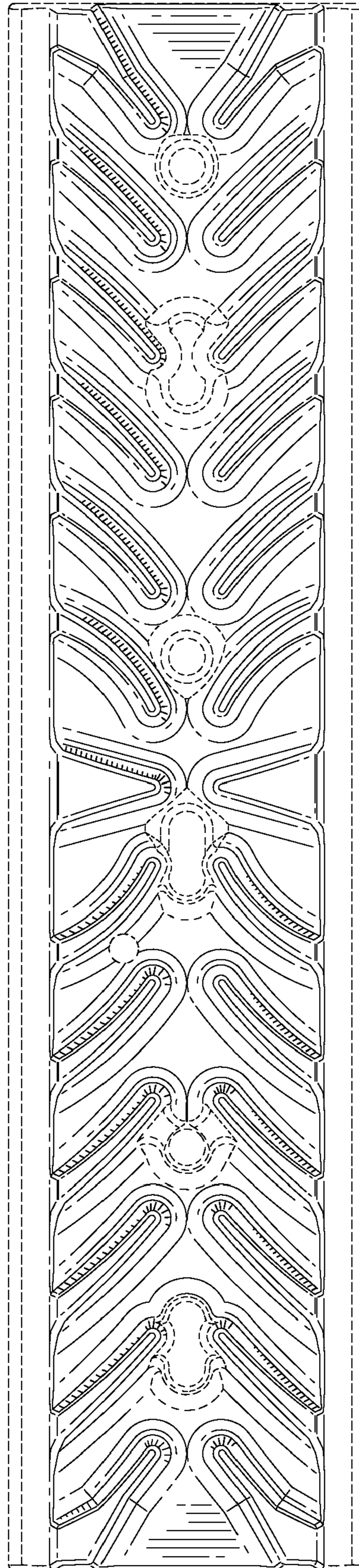


FIG. 3

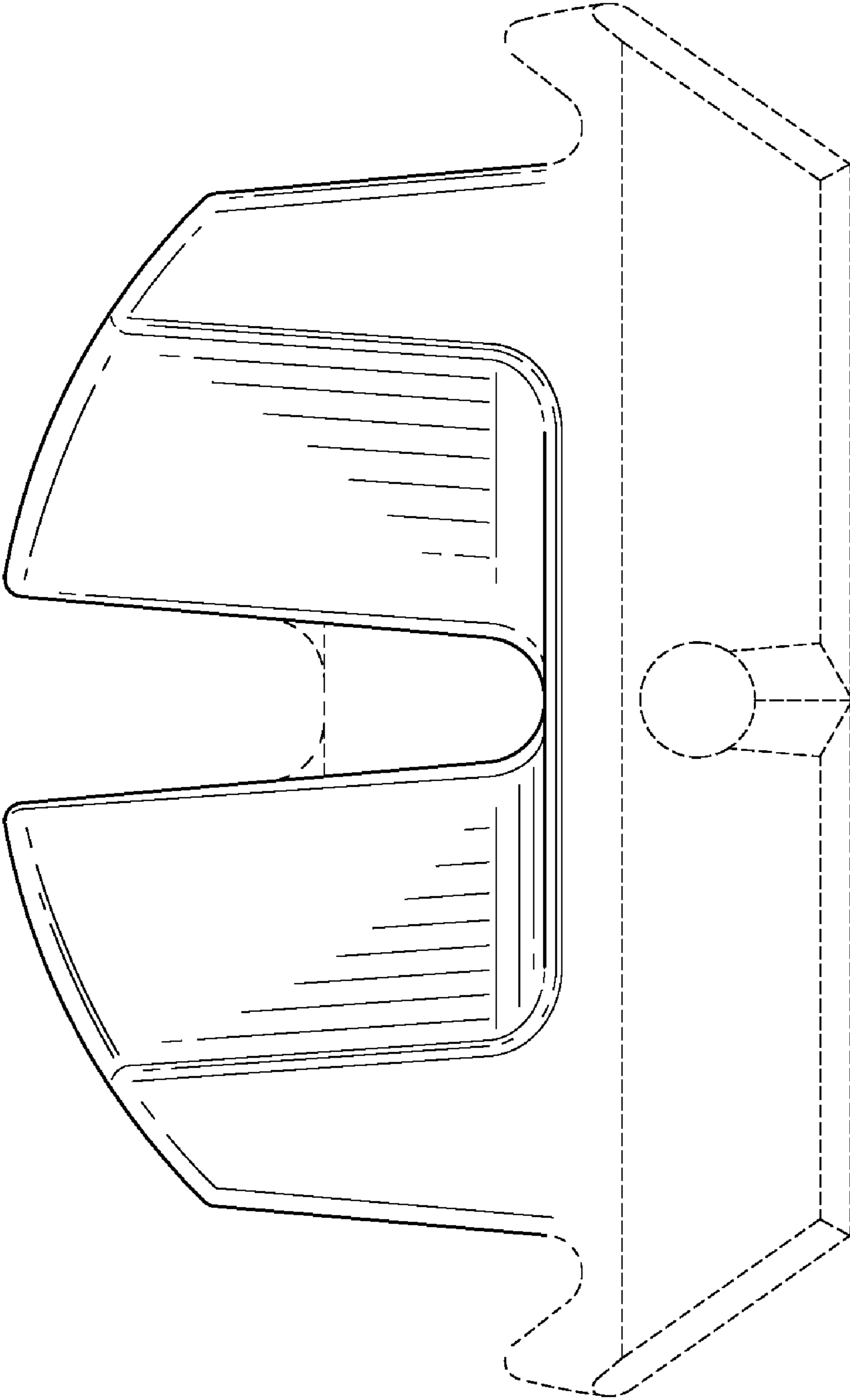


FIG. 4

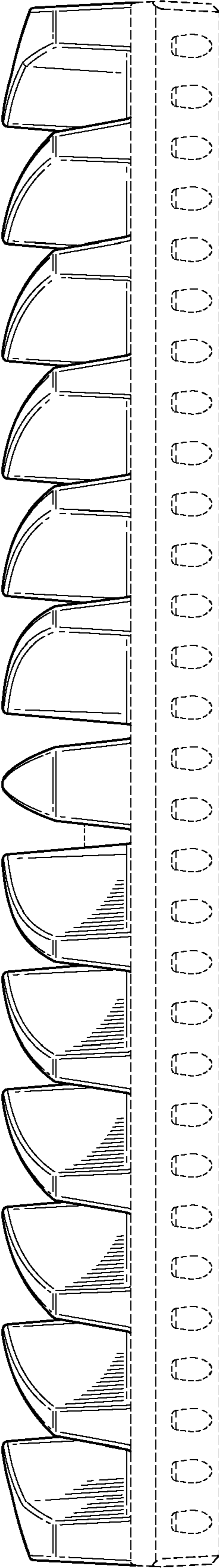


FIG. 5