



US00D613257S

(12) **United States Design Patent**
Clifton

(10) **Patent No.:** **US D613,257 S**
(45) **Date of Patent:** **** Apr. 6, 2010**

(54) **HEAT SINK**
(75) Inventor: **David Wiley Clifton**, Conyers, GA (US)
(73) Assignee: **ABL IP Holding LLC**, Conyers, GA (US)
(**) Term: **14 Years**
(21) Appl. No.: **29/326,709**
(22) Filed: **Oct. 23, 2008**

6,657,862 B2 12/2003 Crocker et al.
D490,383 S 5/2004 Tan et al.
7,113,403 B2 9/2006 Kuo et al.
7,193,849 B2 3/2007 Xu et al.
D573,111 S * 7/2008 Liu et al. D13/179
2003/0131970 A1 7/2003 Carter et al.
2007/0014089 A1 * 1/2007 Huang 361/695
2007/0201232 A1 * 8/2007 Chen 362/294
2007/0230186 A1 * 10/2007 Chien 362/294

(51) **LOC (9) Cl.** **13-03**
(52) **U.S. Cl.** **D13/179**
(58) **Field of Classification Search** D13/179,
D13/180; 165/80.3, 104.33, 151, 122, 185;
257/706, 707, 718-722; 361/687, 695, 697,
361/700, 702, 704, 709, 710, 711, 719; 362/294,
362/373

See application file for complete search history.

(56) **References Cited**

U.S. PATENT DOCUMENTS

4,715,438 A 12/1987 Gabuzda et al.
4,933,746 A 6/1990 King
D313,399 S 1/1991 Earl et al.
4,985,815 A * 1/1991 Endo 362/294
D315,832 S 4/1991 Rocheleau et al.
D338,449 S 8/1993 Sahyoun
D368,253 S * 3/1996 Graves D13/179
D381,011 S * 7/1997 Widmayer et al. D13/179
5,794,685 A 8/1998 Dean
D403,666 S * 1/1999 Maack et al. D13/179
5,910,694 A * 6/1999 Yokozawa et al. 310/89
D427,946 S 7/2000 Kuo-An
6,152,214 A 11/2000 Wagner
D449,587 S * 10/2001 Cronin D13/179
6,324,059 B1 11/2001 Werner
6,385,047 B1 5/2002 McCullough et al.
6,397,941 B1 * 6/2002 McCullough 165/185
D465,462 S 11/2002 Hsieh
6,487,077 B1 11/2002 Lin
6,543,522 B1 4/2003 Hegde
D481,688 S 11/2003 Lee et al.

(Continued)

Primary Examiner—Selina Sikder
(74) *Attorney, Agent, or Firm*—Kilpatrick Stockton LLP

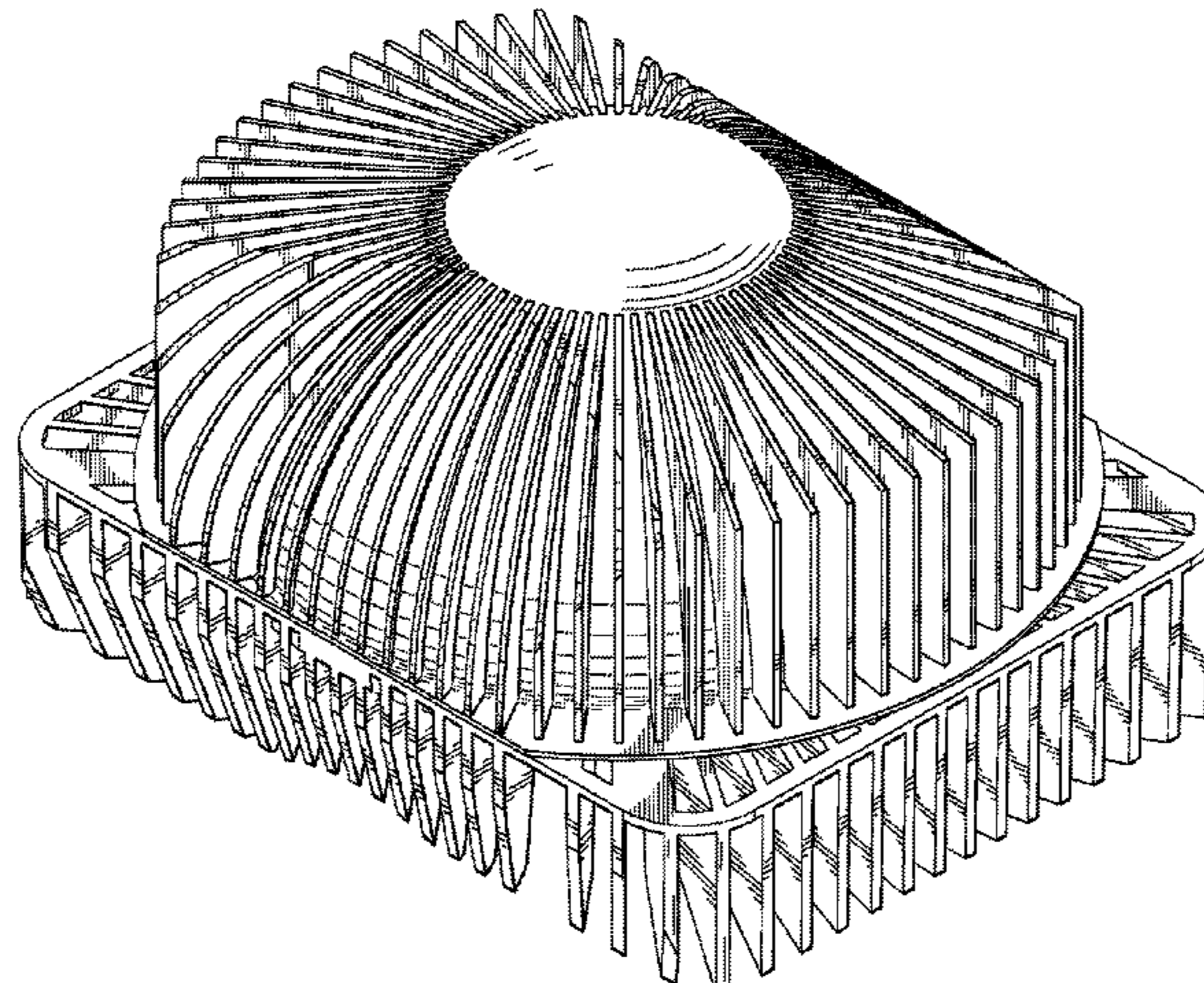
(57) **CLAIM**

I claim the ornamental design for a heat sink, as shown and described.

DESCRIPTION

FIG. 1 shows a top plan view of a heat sink.
FIG. 2 shows a left side elevation view of the heat sink of FIG. 1, the right side being a mirror image of the left side.
FIG. 3 shows a bottom plan view of the heat sink of FIG. 1.
FIG. 4 shows a front elevation view of the heat sink of FIG. 1, the back view being a mirror image of the front view.
FIG. 5 shows a top perspective view of the heat sink of FIG. 1; and,
FIG. 6 shows a bottom perspective view of the heat sink of FIG. 1.
The broken lines shown in FIGS. 3 and 6 views define the bounds of the claimed design and form no part thereof.

1 Claim, 6 Drawing Sheets



US D613,257 S

Page 2

U.S. PATENT DOCUMENTS			
2007/0253202	A1*	11/2007	Wu et al. 362/294
2008/0037255	A1*	2/2008	Wang 362/294
2008/0149305	A1*	6/2008	Chen 165/80.3
2008/0175003	A1*	7/2008	Tsou et al. 362/294
2009/0103308	A1*	4/2009	Xu et al. 362/294

* cited by examiner

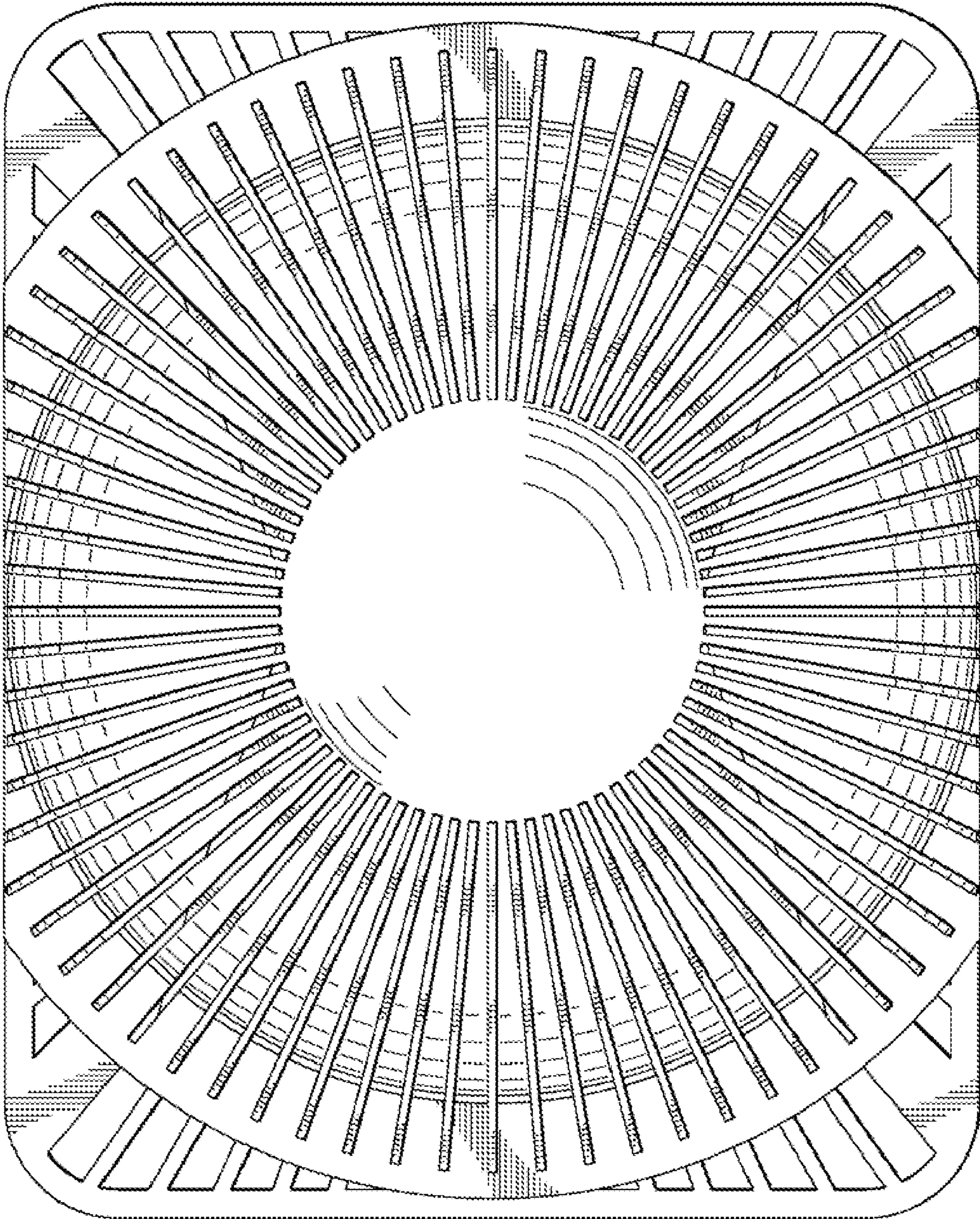


FIG. 1

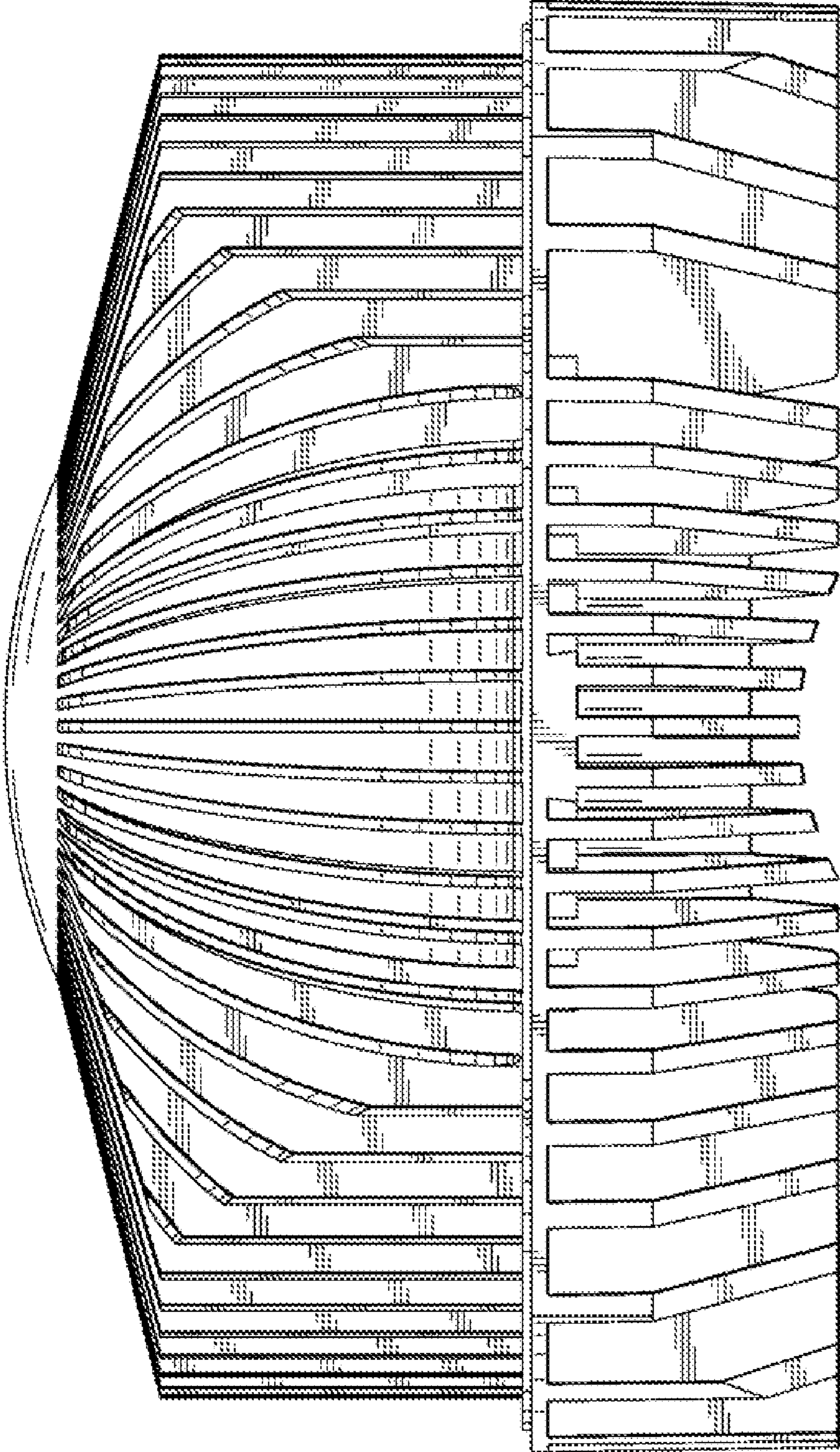


FIG. 2

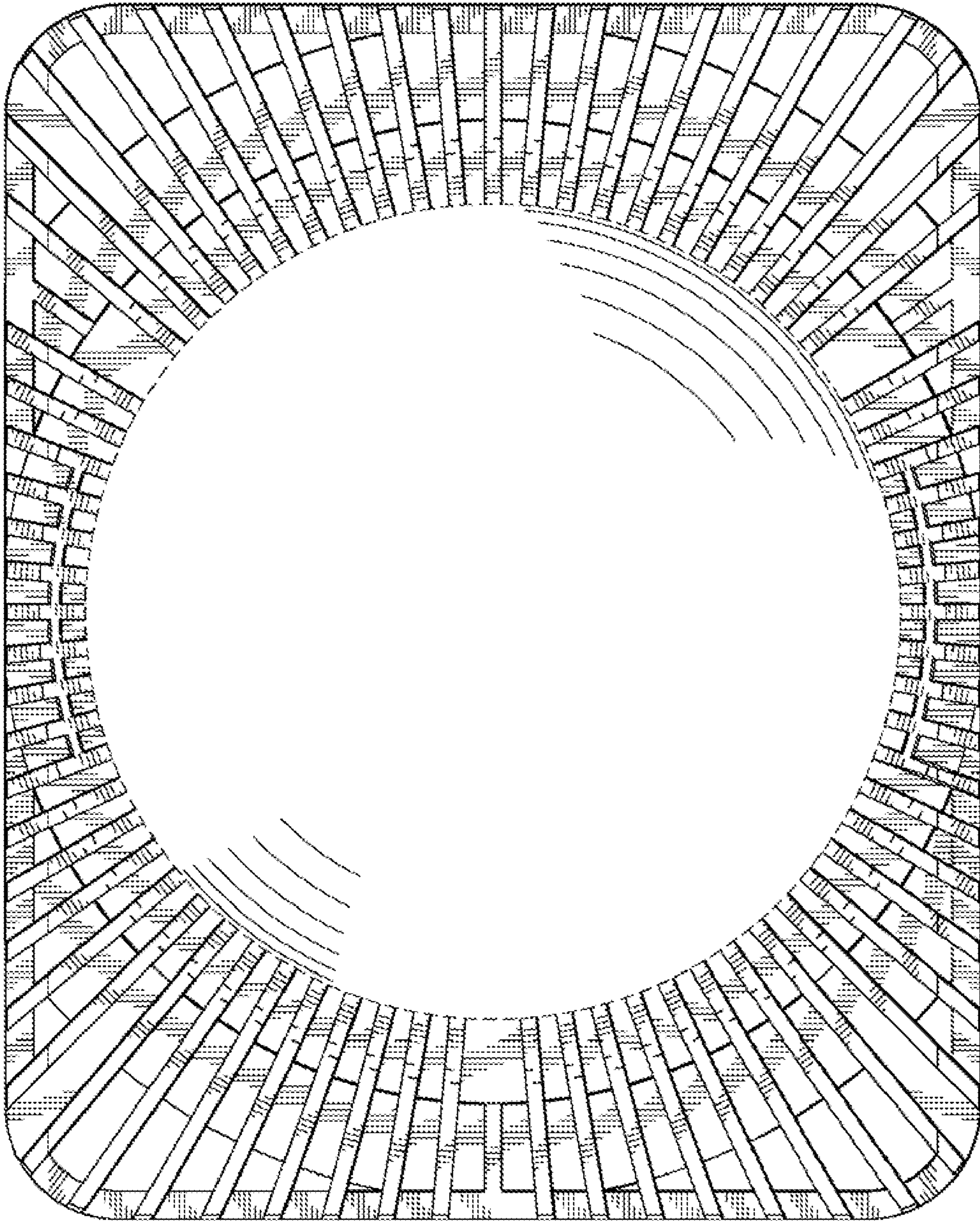


FIG. 3

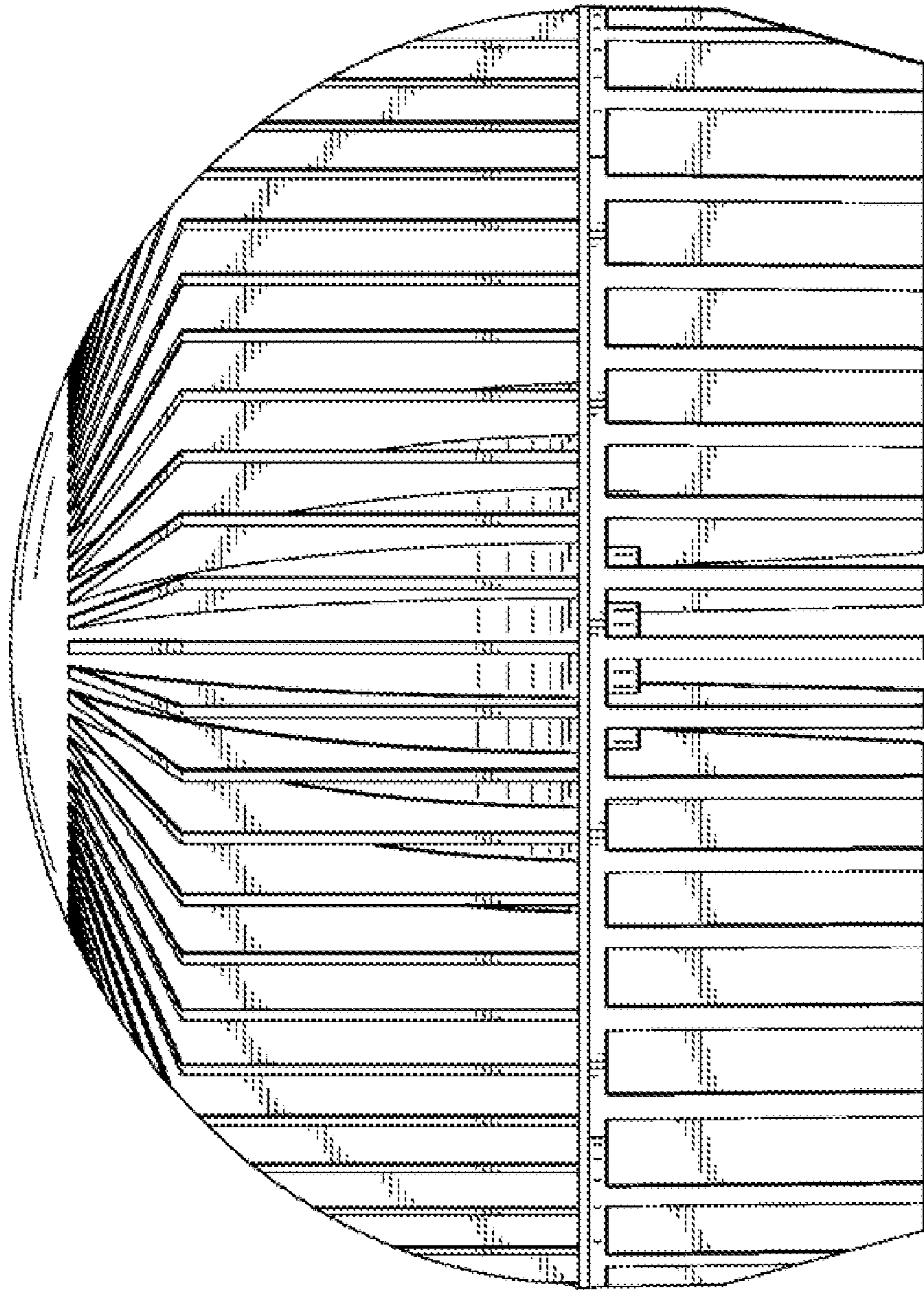


FIG. 4

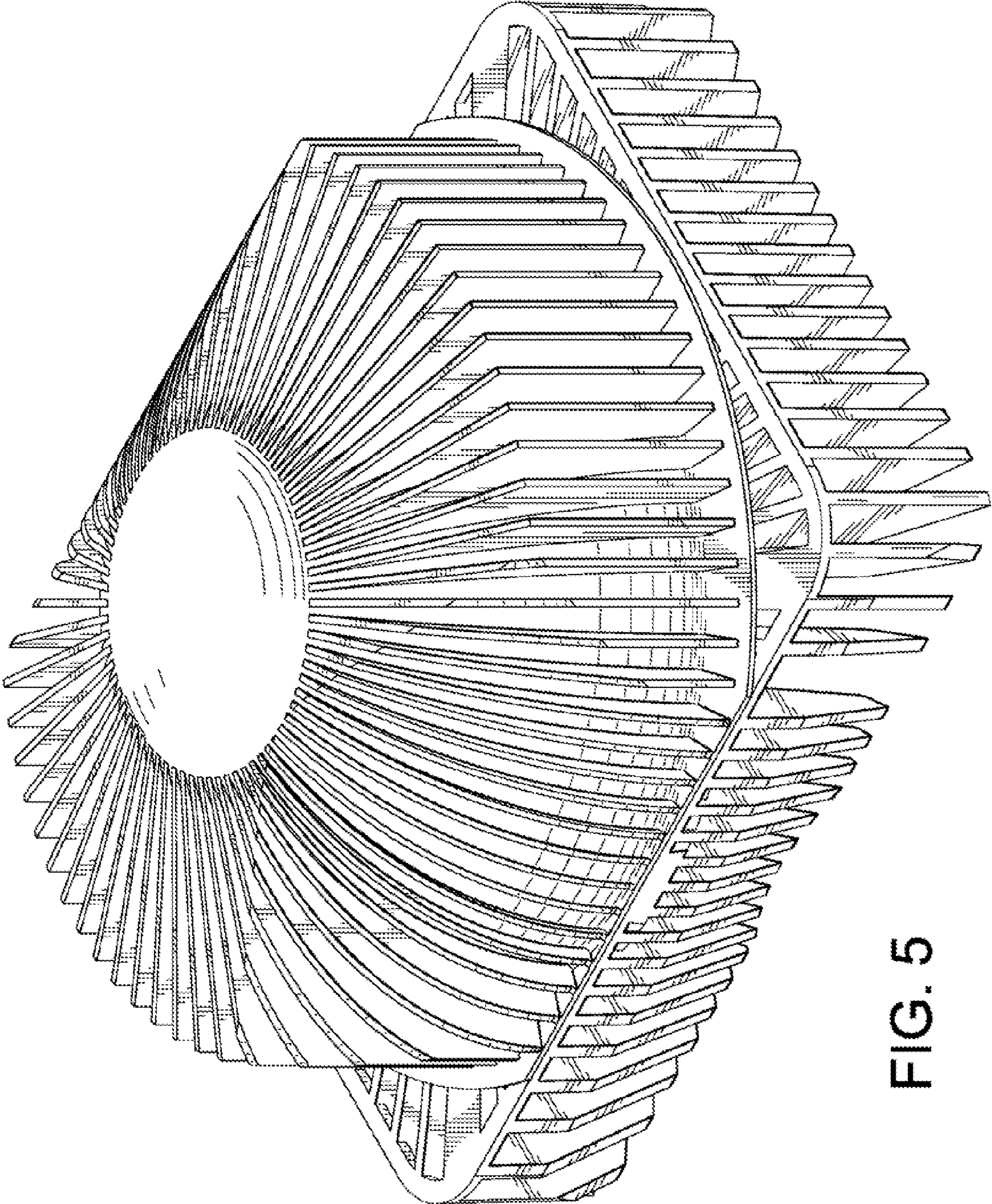


FIG. 5

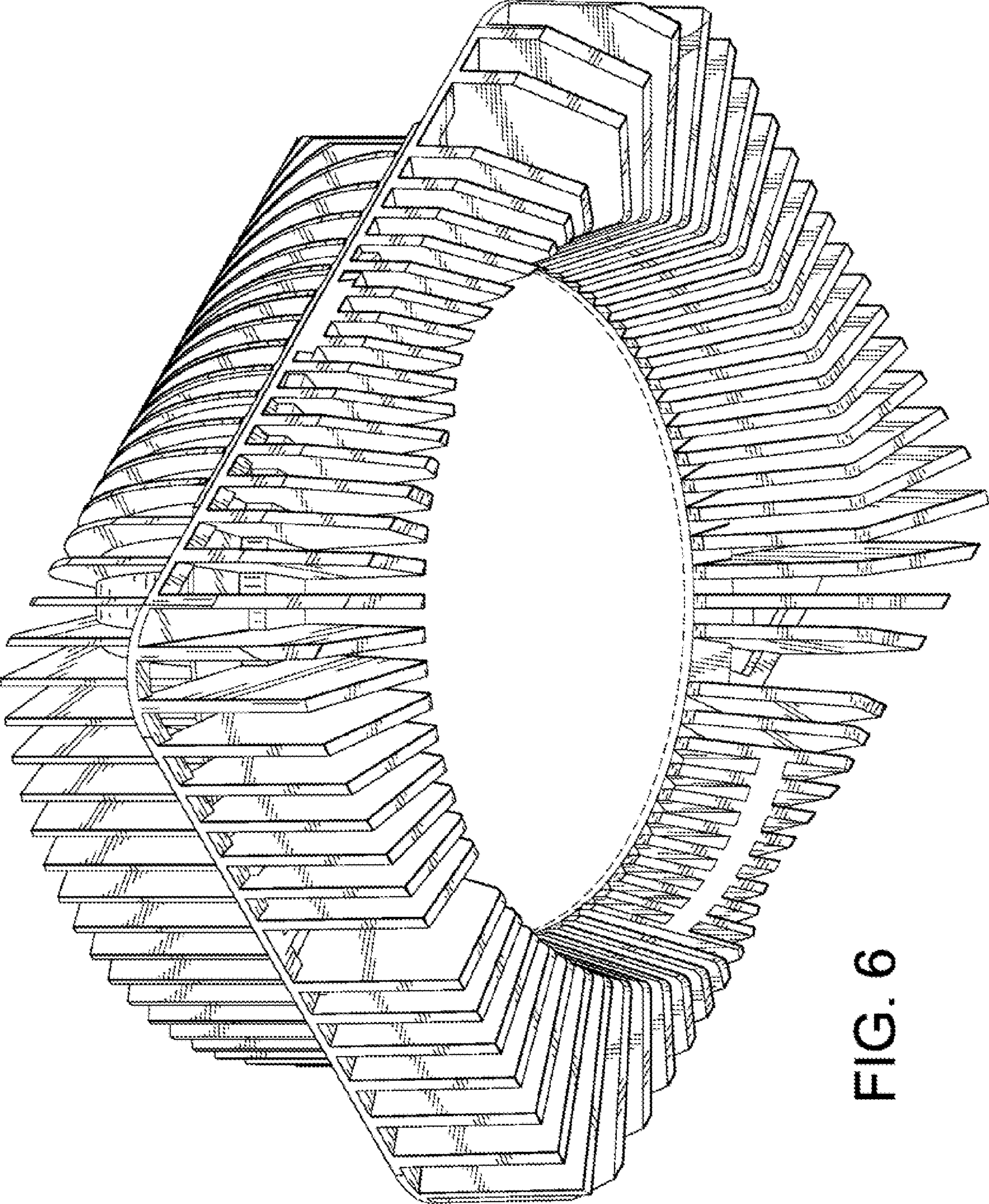


FIG. 6