



US00D613256S

(12) **United States Design Patent**
Moore

(10) **Patent No.:** **US D613,256 S**
(45) **Date of Patent:** **** Apr. 6, 2010**

(54) **REMOTE CONTROL**

(76) Inventor: **Justin Moore**, 1070 W. Recess Way,
Kuna, ID (US) 83634

(**) Term: **14 Years**

(21) Appl. No.: **29/340,842**

(22) Filed: **Jul. 27, 2009**

(51) **LOC (9) Cl.** **14-03**

(52) **U.S. Cl.** **D13/168**

(58) **Field of Classification Search** D13/168;
D10/104, 106; D14/218, 247; 340/825.22,
340/825.24, 825.25, 825.31, 825.36, 825.69,
340/825.72; 341/76; 455/352; 361/679.01
See application file for complete search history.

(56) **References Cited**

U.S. PATENT DOCUMENTS

4,241,870	A	12/1980	Marcus	
D350,782	S *	9/1994	Barr D14/401
5,388,691	A	2/1995	White	
D378,634	S	4/1997	LaPere	
D381,009	S *	7/1997	Nagata D13/168
6,124,822	A	9/2000	Wu	
6,566,998	B1	5/2003	Facory	
6,588,297	B1	7/2003	Day et al.	
6,786,332	B1	9/2004	Patrick et al.	

6,810,123	B2	10/2004	Farris et al.	
6,937,149	B2	8/2005	McMahon	
D528,512	S *	9/2006	Li D13/168
7,181,174	B2	2/2007	Fitzgibbon et al.	
D541,227	S *	4/2007	Lamb D13/168
7,310,980	B2	12/2007	Hashimoto et al.	
7,513,134	B2	4/2009	Hashimoto et al.	
2005/0166650	A1	8/2005	Shimura et al.	

* cited by examiner

Primary Examiner—Selina Sikder

(74) *Attorney, Agent, or Firm*—Holland Law Office PLLC

(57) **CLAIM**

The ornamental design for a remote control, as shown and described herein.

DESCRIPTION

FIG. 1 is a perspective view of a remote control showing my new design;

FIG. 2 is a front side view thereof;

FIG. 3 is a first side view thereof;

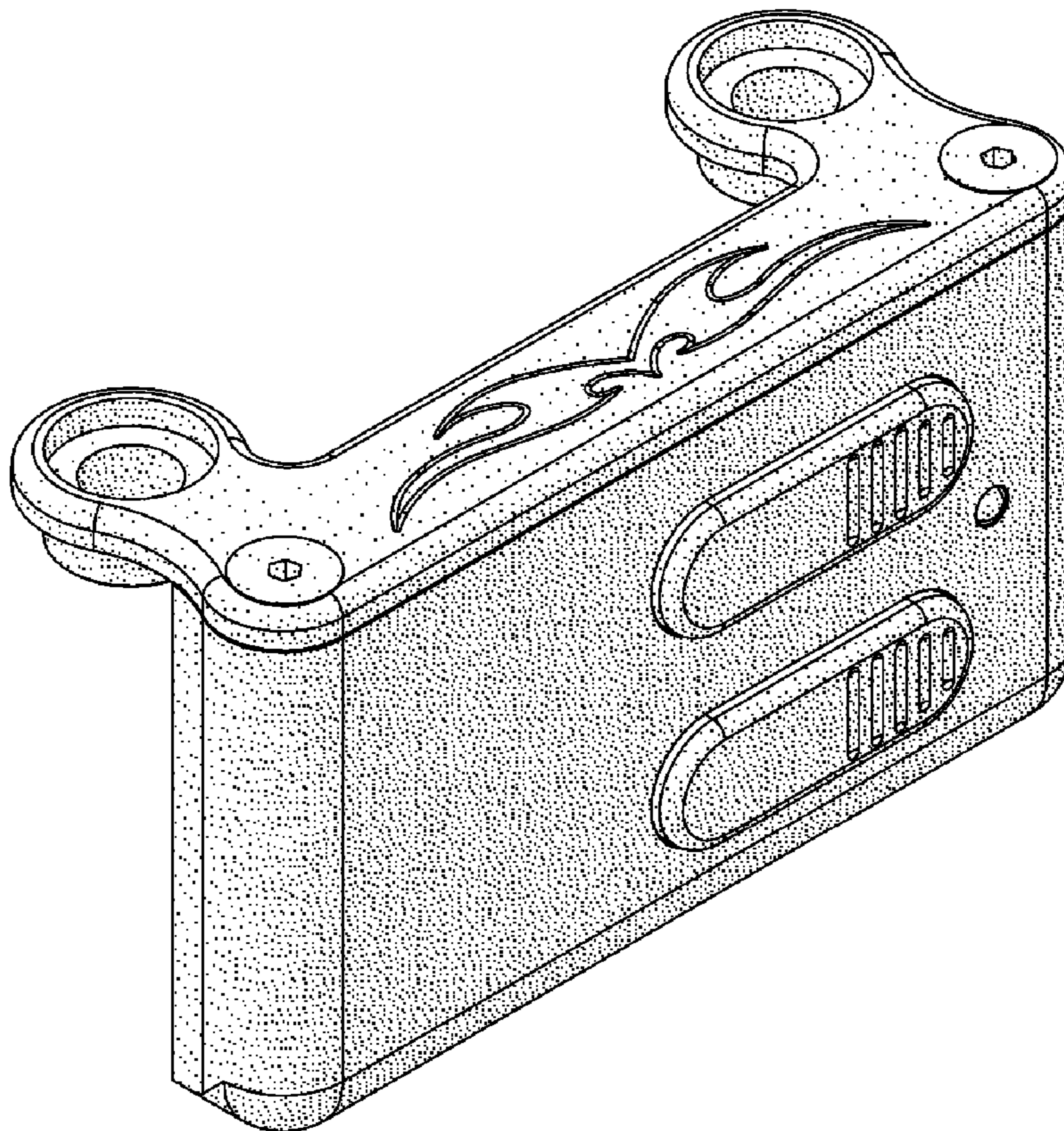
FIG. 4 is a back view thereof;

FIG. 5 is a second side view thereof;

FIG. 6 is a top view thereof; and,

FIG. 7 is a bottom view thereof.

1 Claim, 4 Drawing Sheets



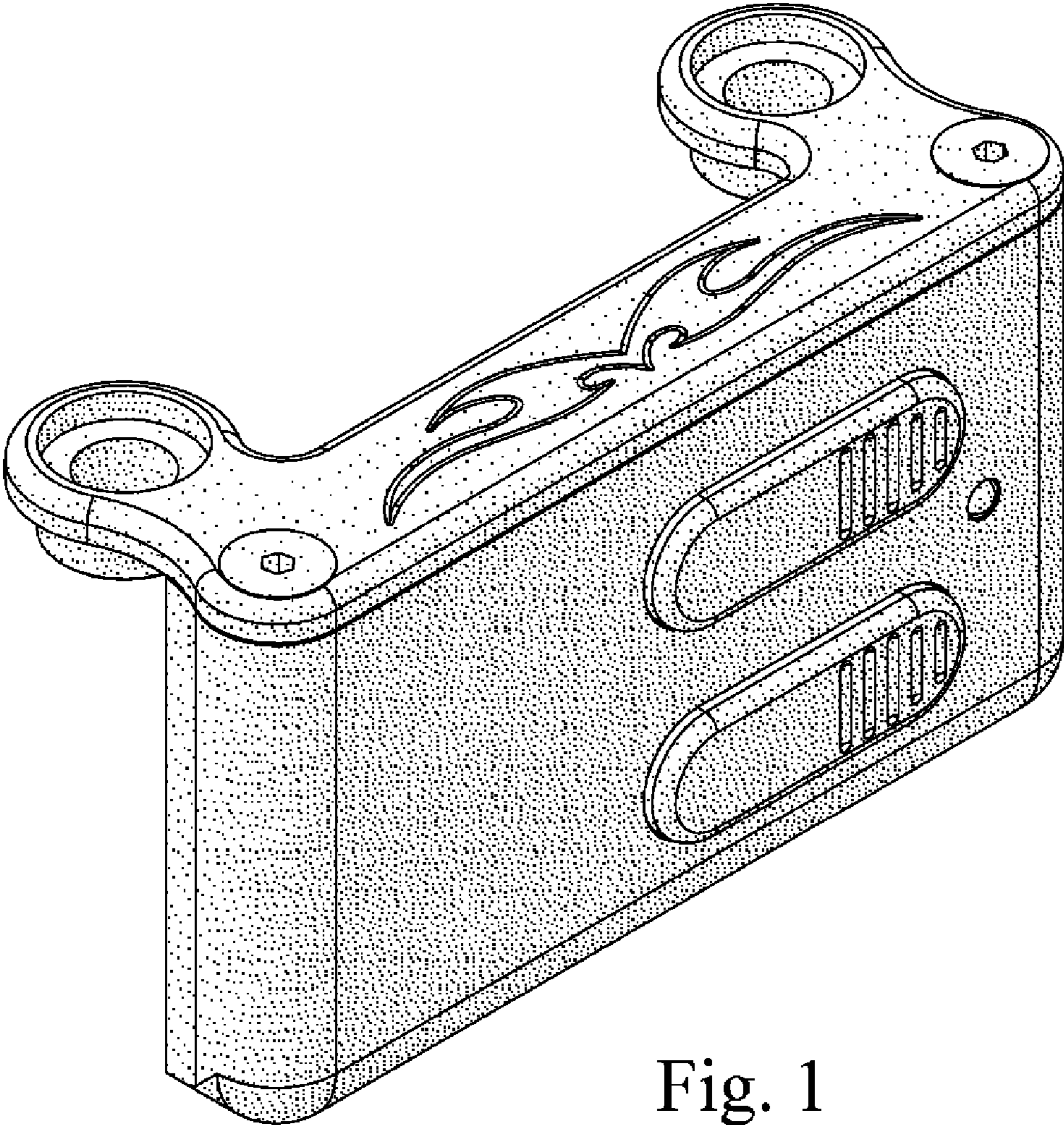


Fig. 1

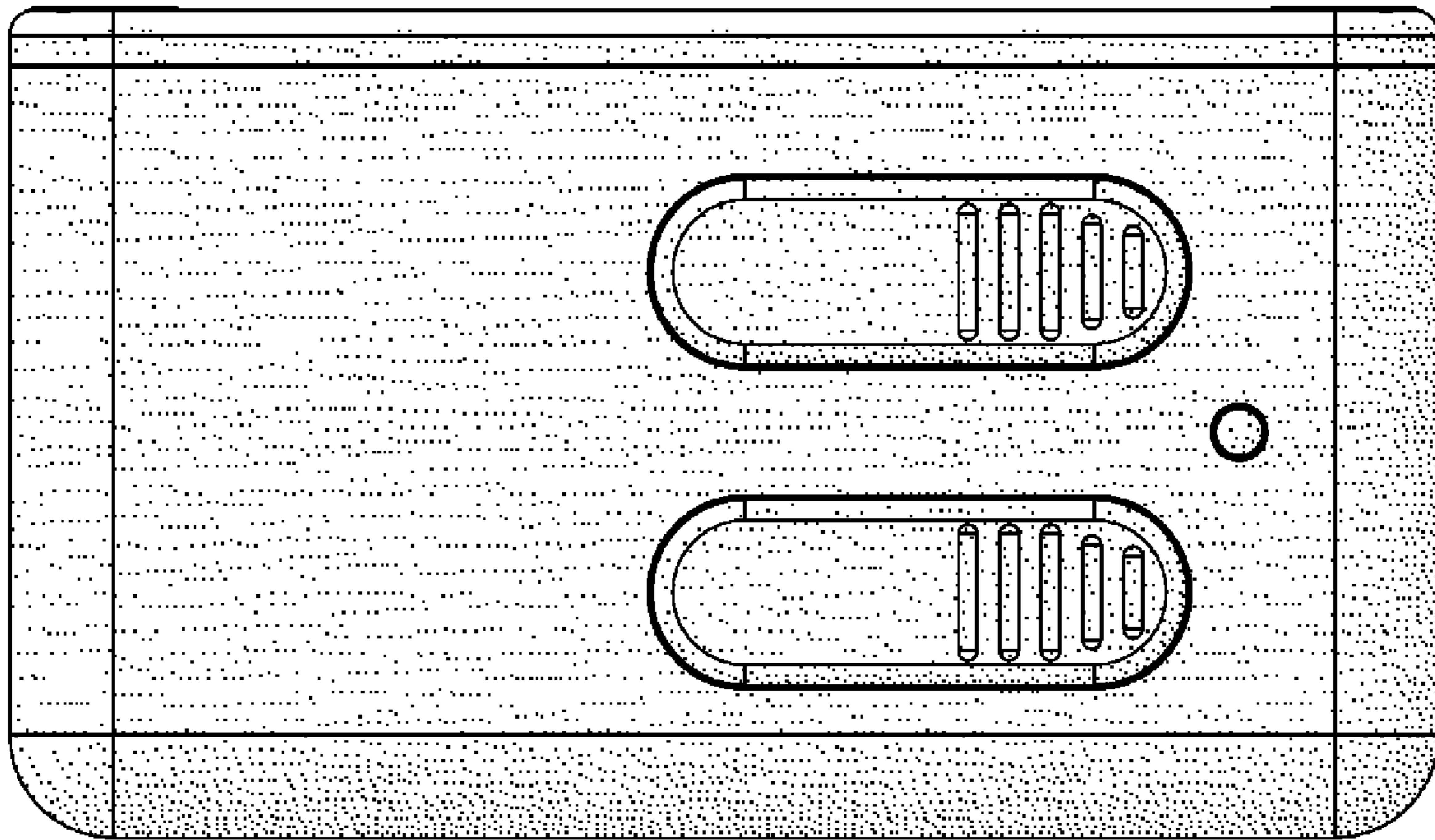


Fig. 2

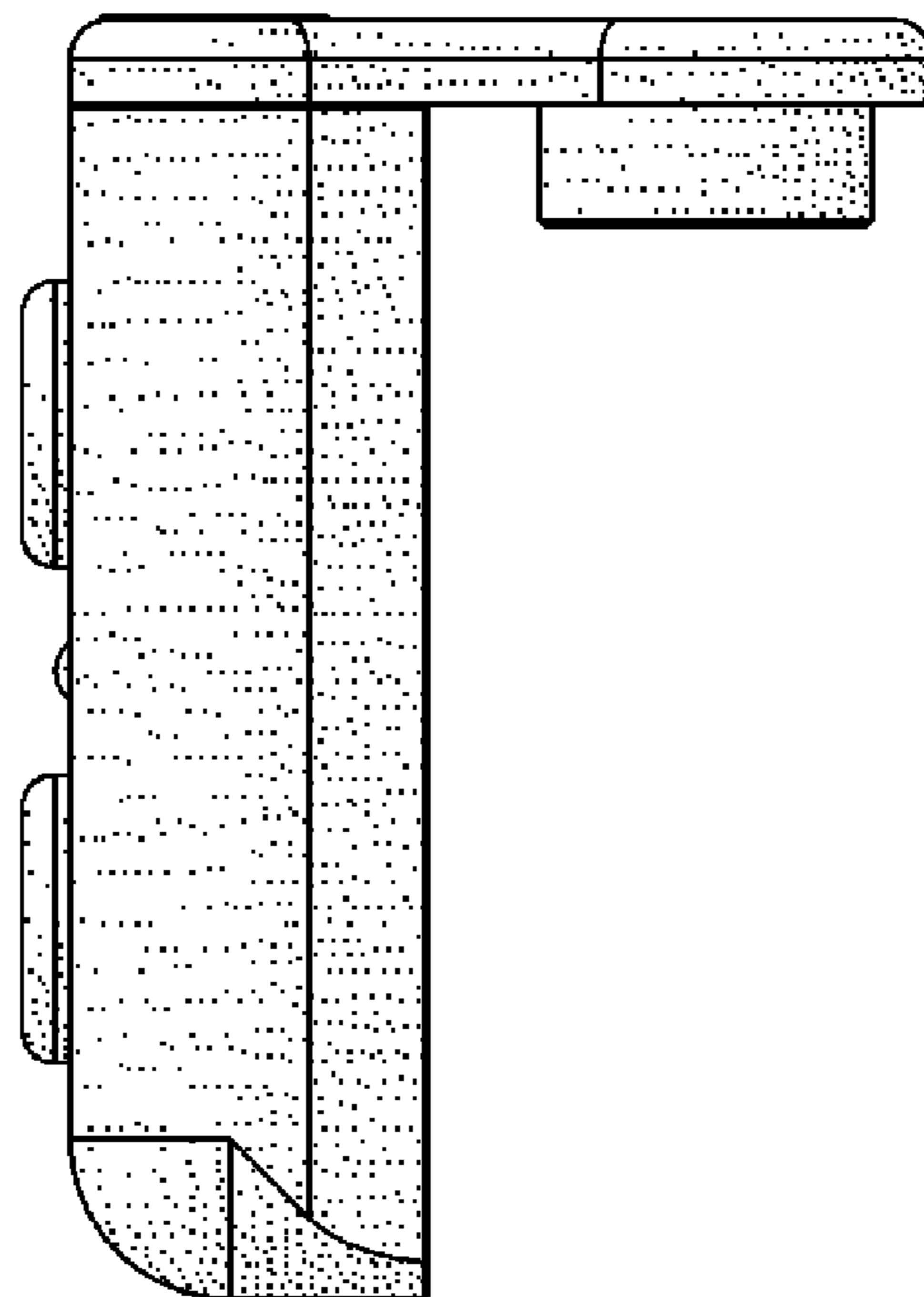


Fig. 3

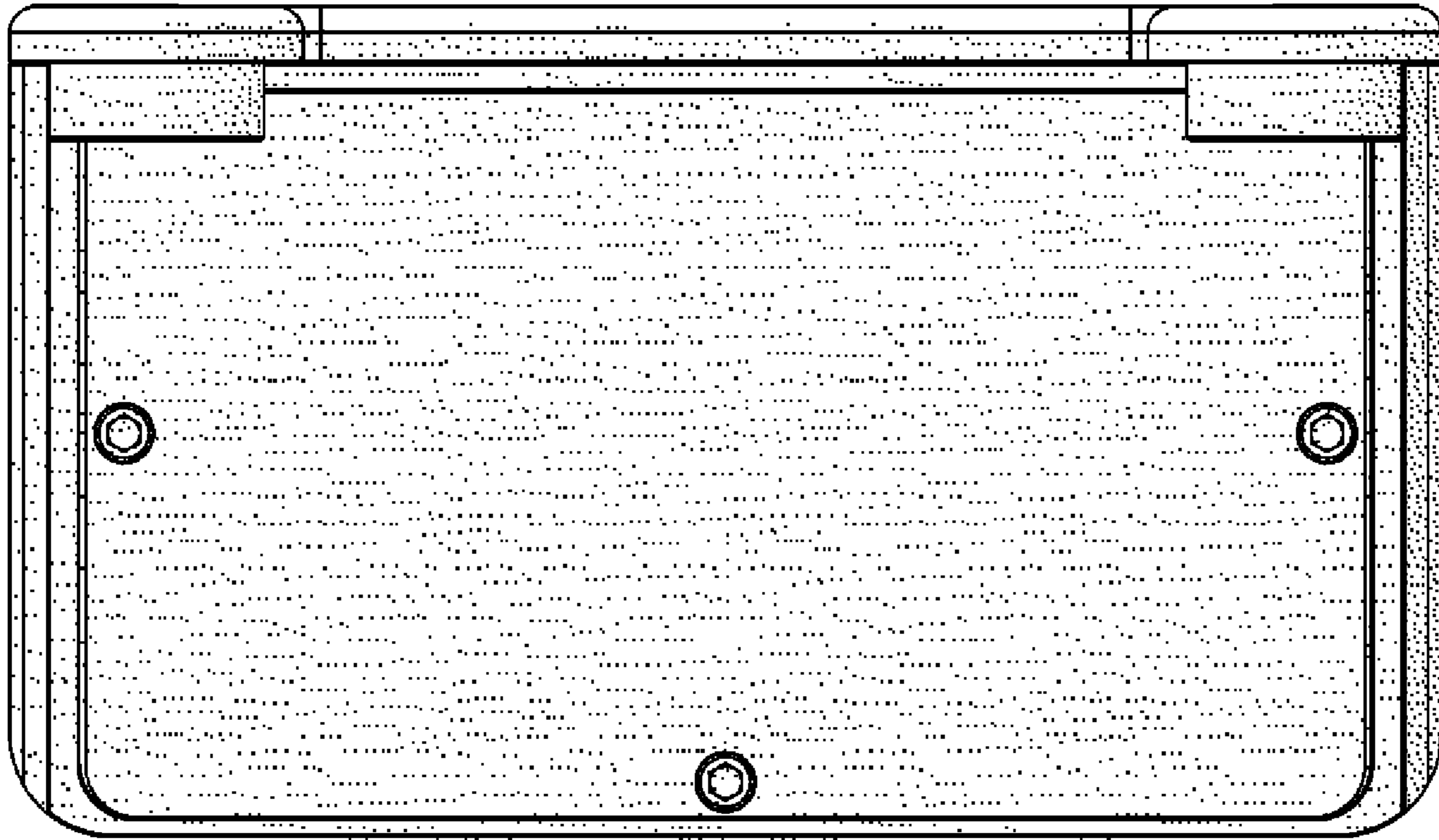


Fig. 4

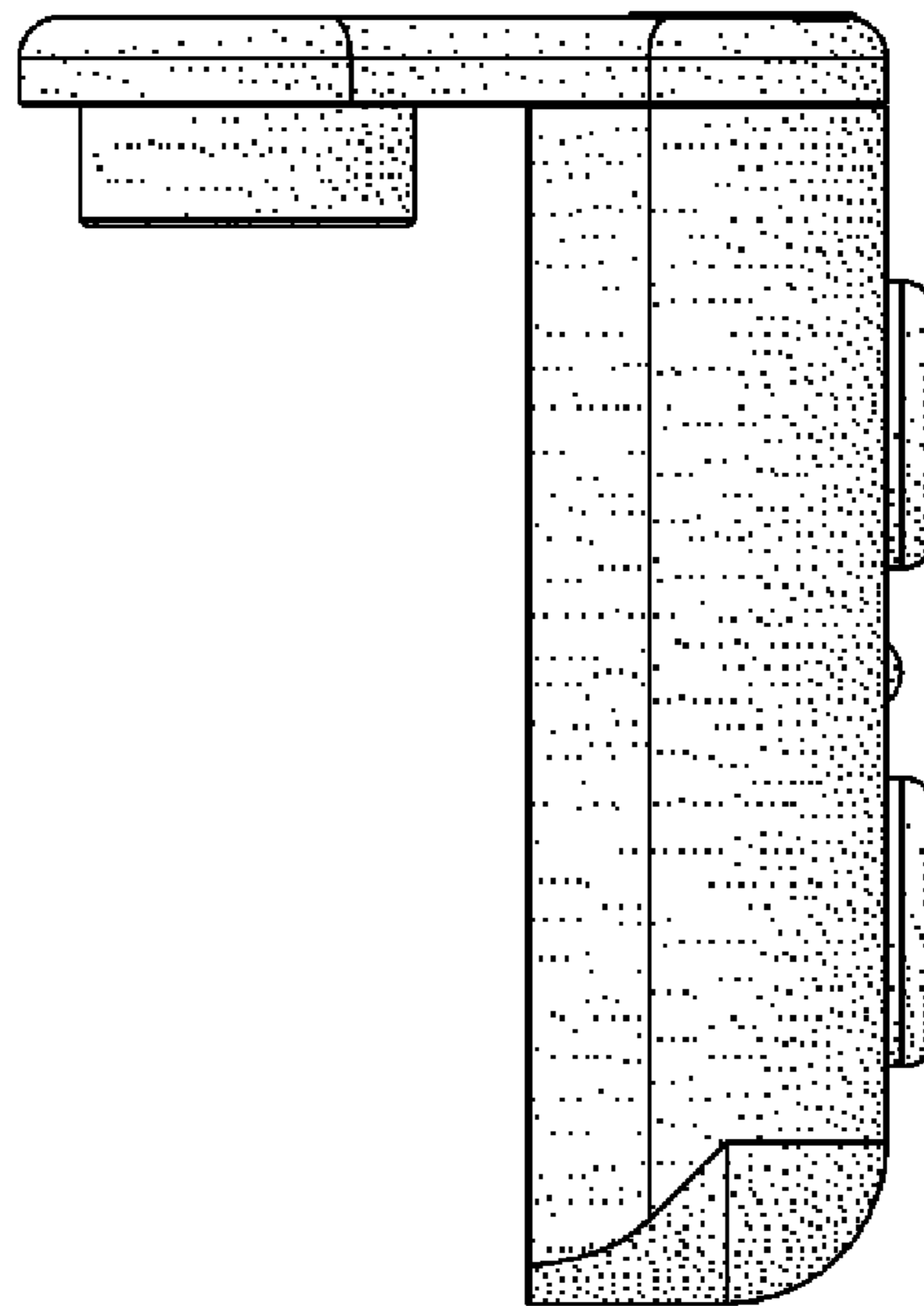


Fig. 5

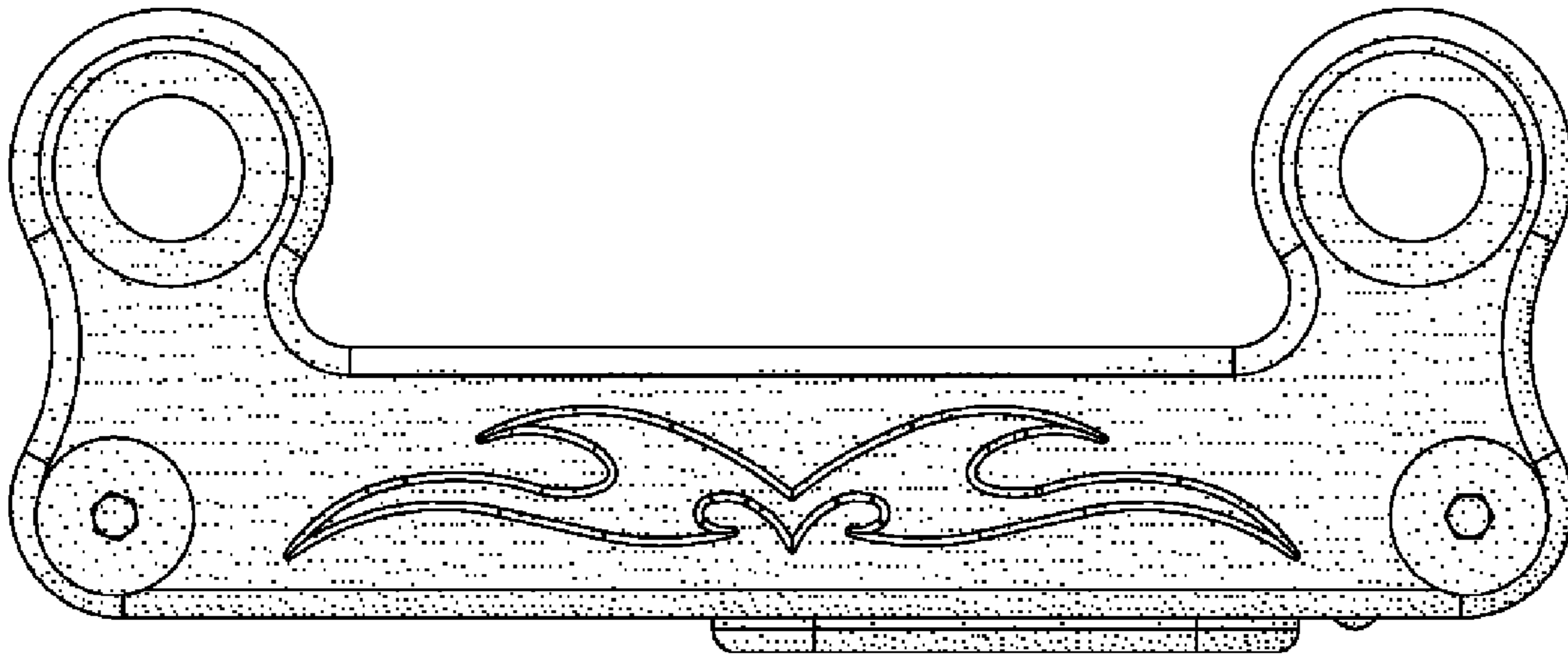


Fig. 6

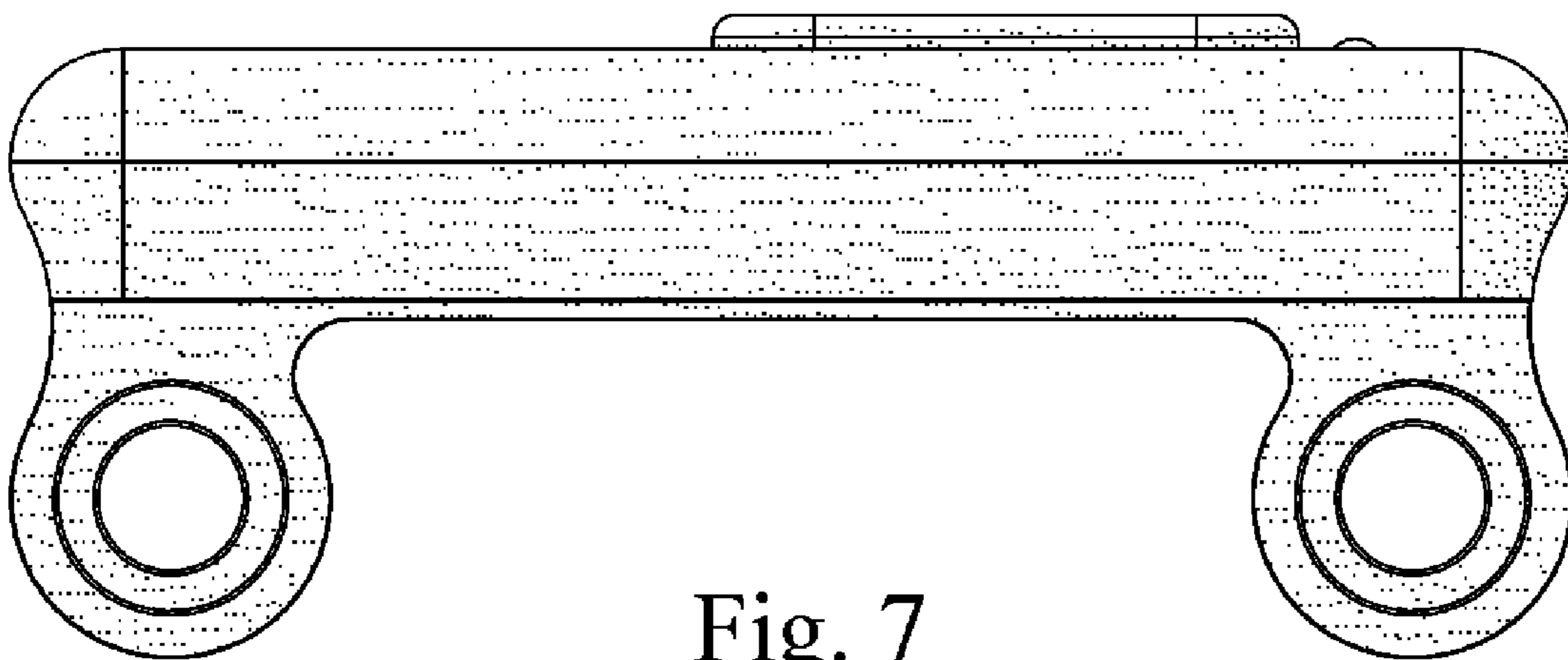


Fig. 7