



US00D613254S

(12) **United States Design Patent**
Tsuduki

(10) **Patent No.:** **US D613,254 S**

(45) **Date of Patent:** **** Apr. 6, 2010**

(54) **PUSH SWITCH**

(75) Inventor: **Shiro Tsuduki, Yao (JP)**

(73) Assignee: **Hosiden Corporation, Osaka (JP)**

(**) Term: **14 Years**

(21) Appl. No.: **29/333,312**

(22) Filed: **Mar. 6, 2009**

(30) **Foreign Application Priority Data**

Sep. 9, 2008 (JP) 2008-023150
Sep. 9, 2008 (JP) 2008-023151

(51) **LOC (9) Cl.** **13-03**

(52) **U.S. Cl.** **D13/158**

(58) **Field of Classification Search** D13/158,
D13/169, 170, 171, 174, 184, 199; 200/1 B,
200/5 A, 6 R, 293, 297, 314, 315, 341, 344,
200/406, 513, 520, 523, 530

See application file for complete search history.

(56) **References Cited**

U.S. PATENT DOCUMENTS

4,913,285 A * 4/1990 Tsutsumi et al. 200/306
4,987,278 A * 1/1991 Tsutsumi 200/294
5,828,016 A * 10/1998 Grannan et al. 200/16 R
5,898,147 A * 4/1999 Domzalski et al. 200/1 B
6,140,596 A * 10/2000 Tsay 200/406
D533,144 S * 12/2006 Asada D13/171
D598,870 S * 8/2009 Asada D13/171
2006/0131153 A1 * 6/2006 Asada 200/341

* cited by examiner

Primary Examiner—Daniel D Bui
Assistant Examiner—Thomas J Johannes
(74) *Attorney, Agent, or Firm*—Rankin, Hill & Clark LLP

(57) **CLAIM**

The ornamental design for a push switch, as shown and described.

DESCRIPTION

FIG. 1 is a front, right side and bottom perspective view of a push switch in accordance with a first embodiment of my new design;

FIG. 2 is a rear, right side and bottom perspective view thereof;

FIG. 3 is a front elevation view thereof;

FIG. 4 is a rear view thereof;

FIG. 5 is a left side view thereof, the right side view being a mirror image thereto;

FIG. 6 is a top plan view thereof, the bottom plan view being a mirror image thereto;

FIG. 7 is a front, right side and bottom perspective view of a push switch in accordance with a second embodiment of my new design;

FIG. 8 is a rear, right side and bottom perspective view thereof;

FIG. 9 is a front elevation view thereof;

FIG. 10 is a rear view thereof;

FIG. 11 is a left side view thereof, the right side view being a mirror image thereto; and,

FIG. 12 is a top plan view thereof, the bottom plan view being a mirror image thereto.

1 Claim, 6 Drawing Sheets

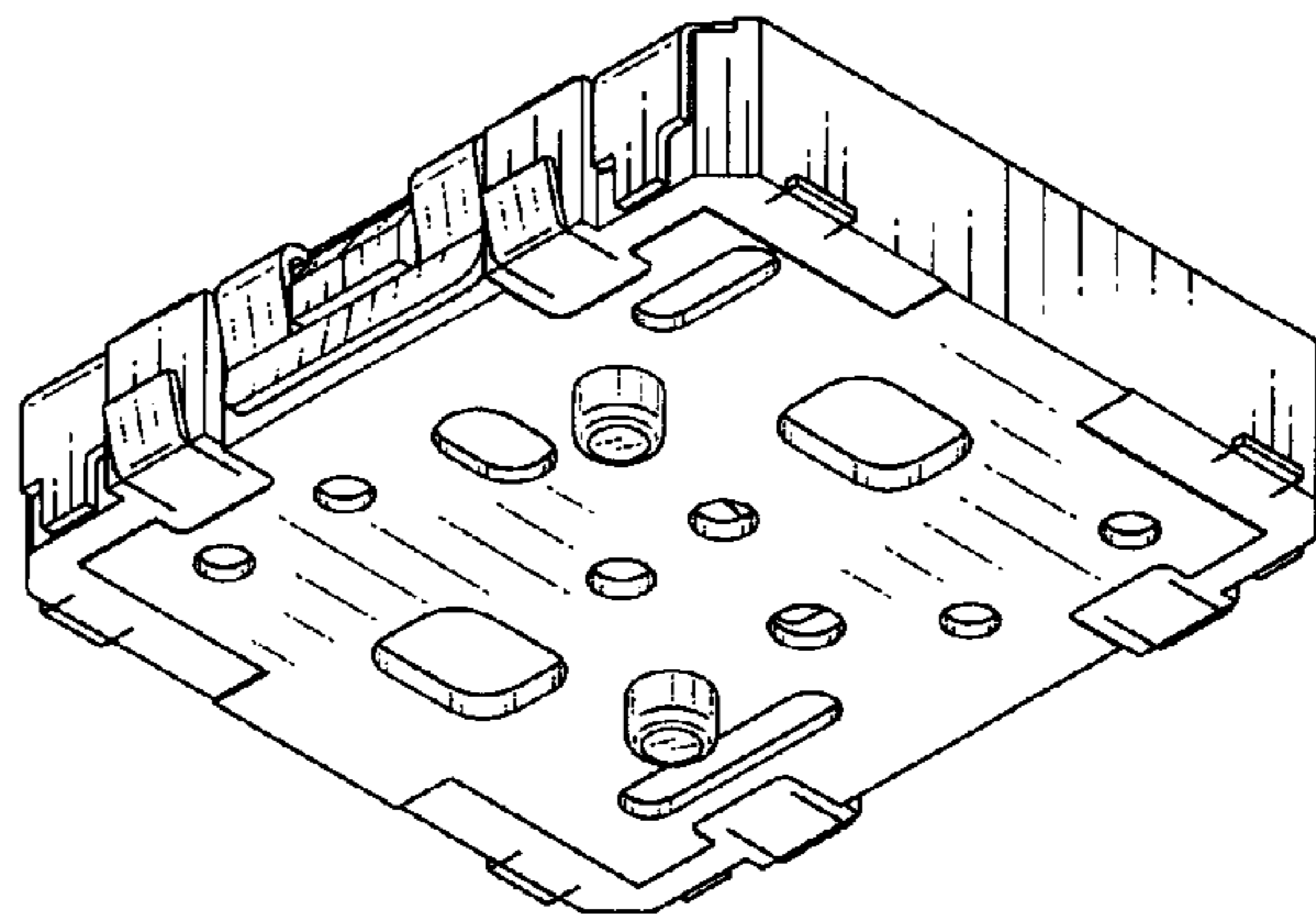
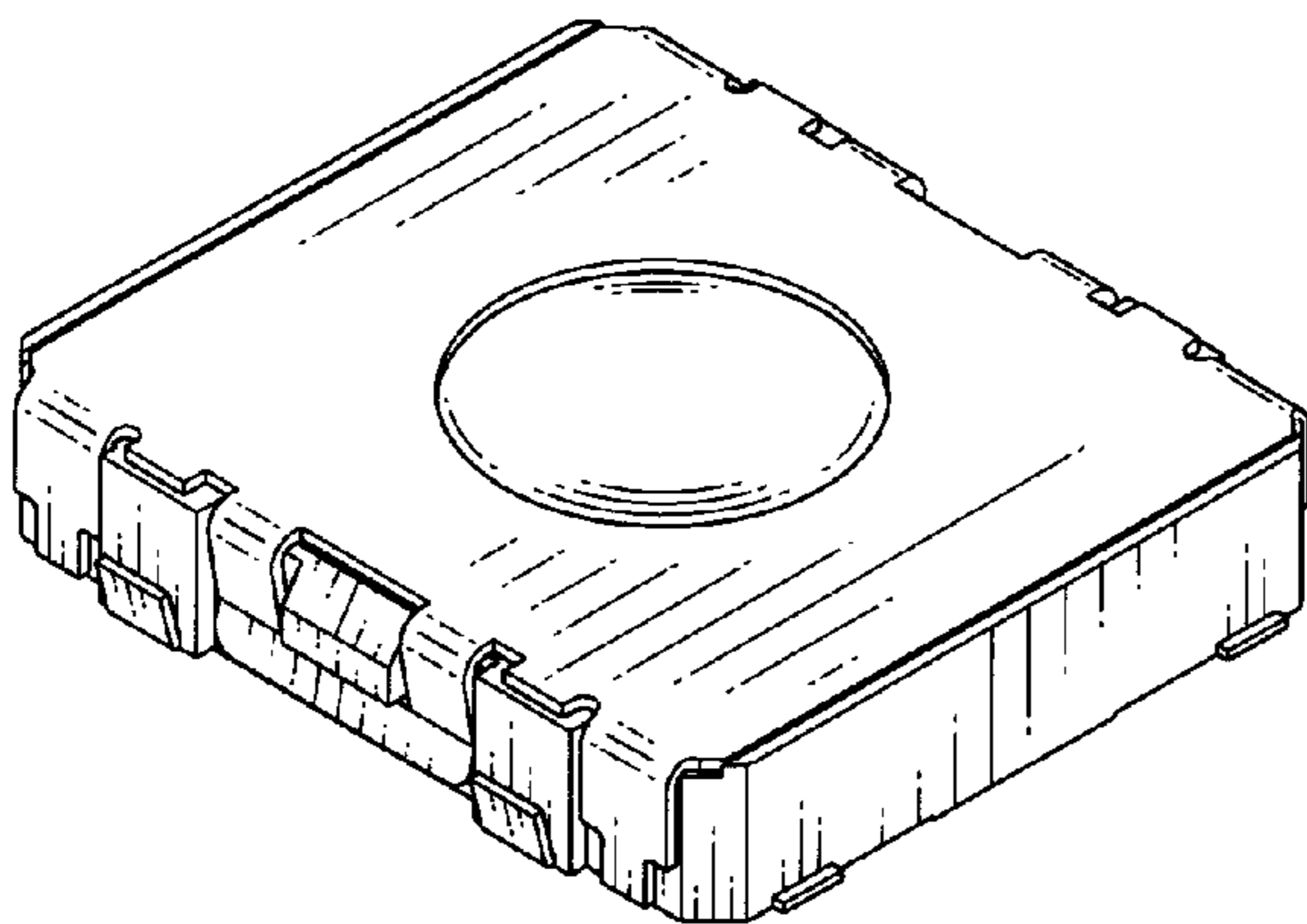


Fig. 1

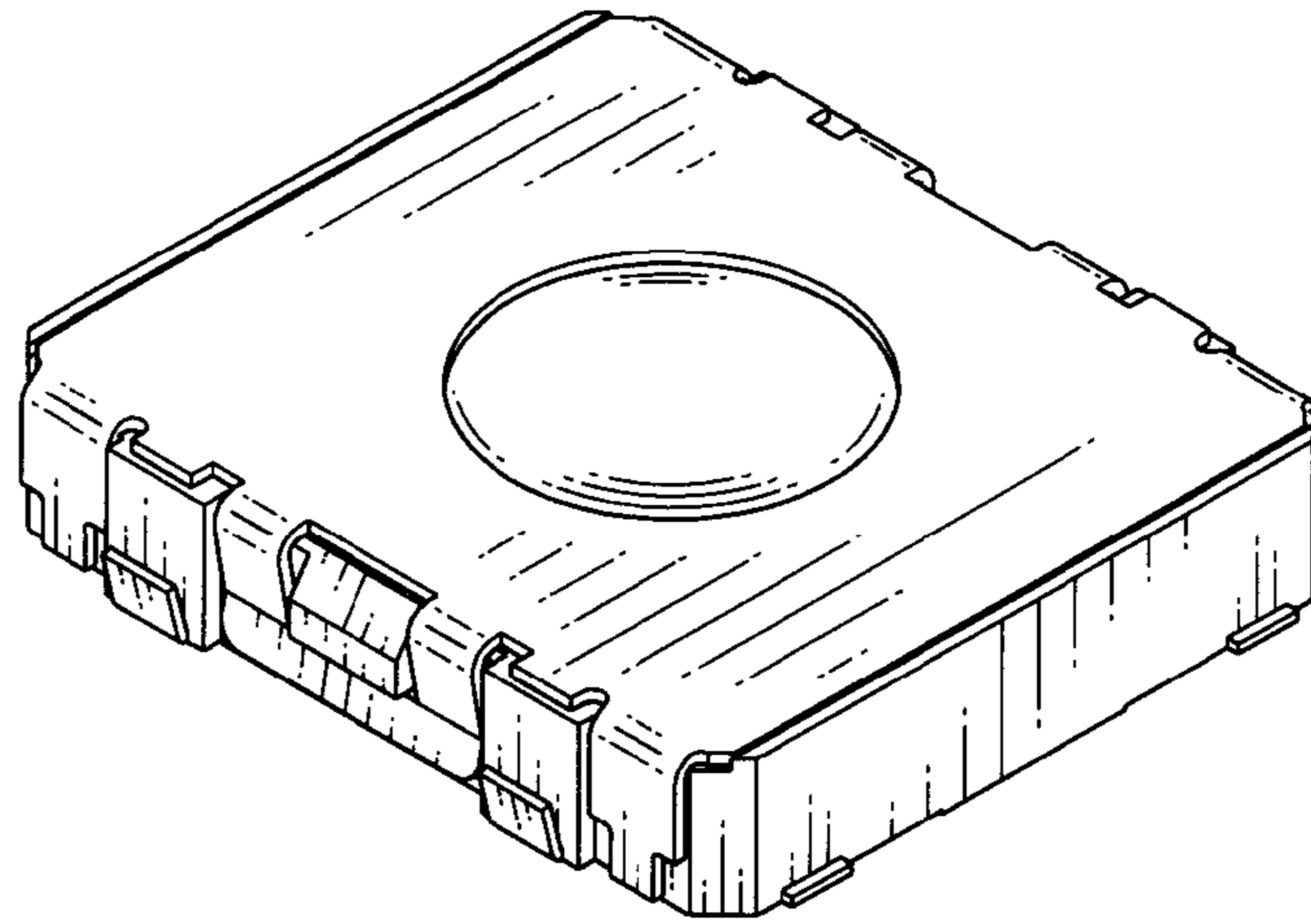


Fig. 2

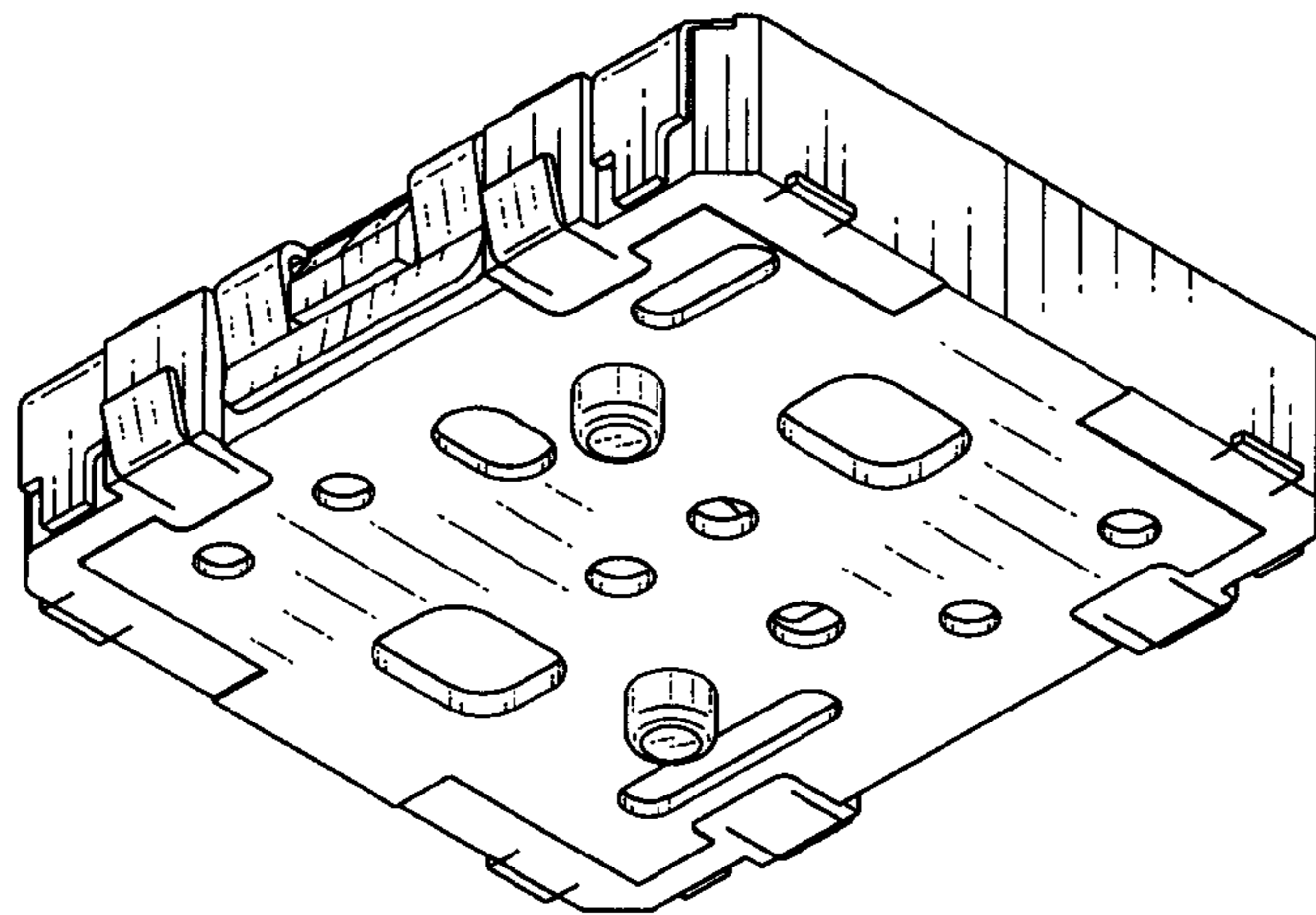


Fig. 3

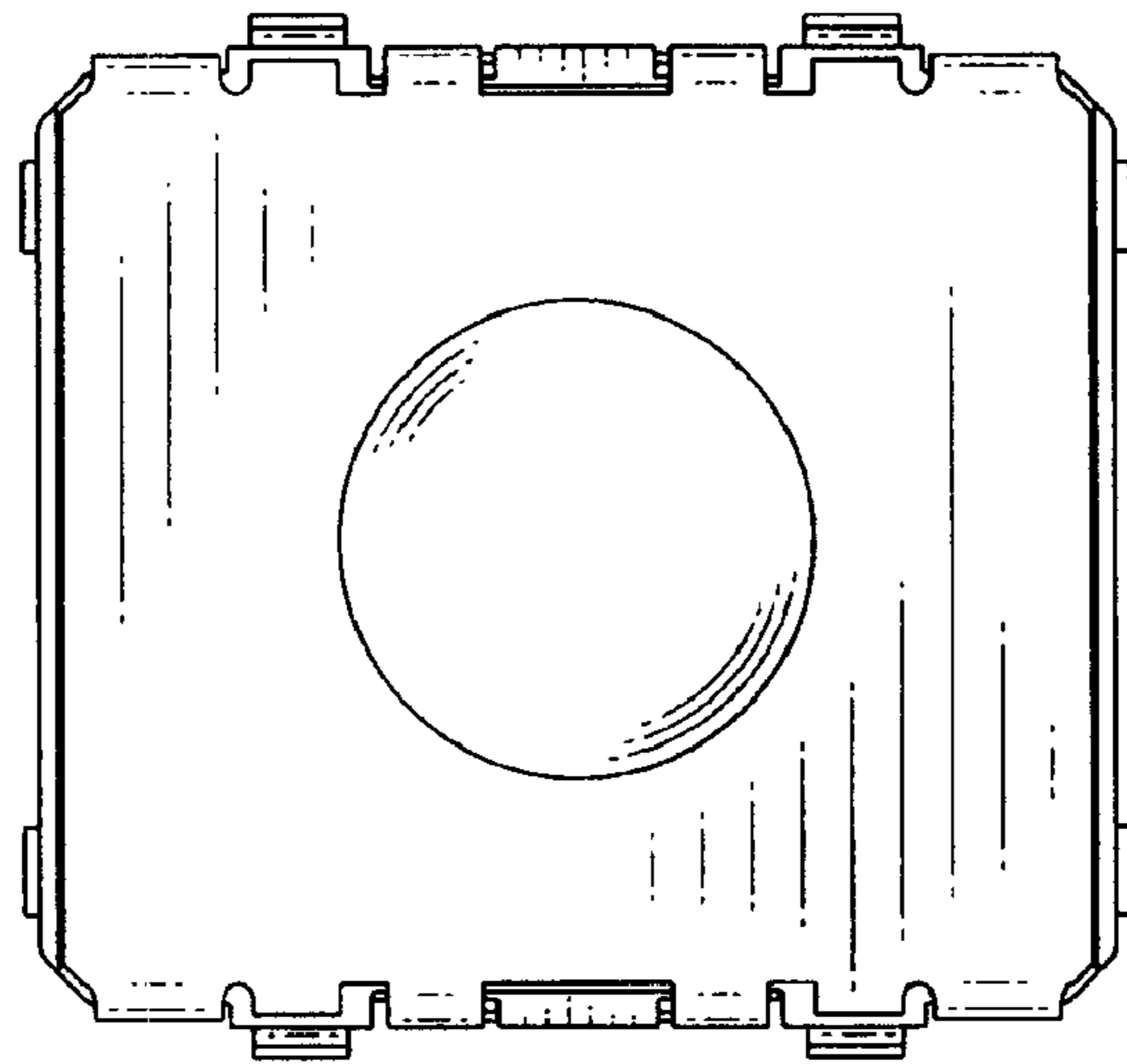


Fig. 4

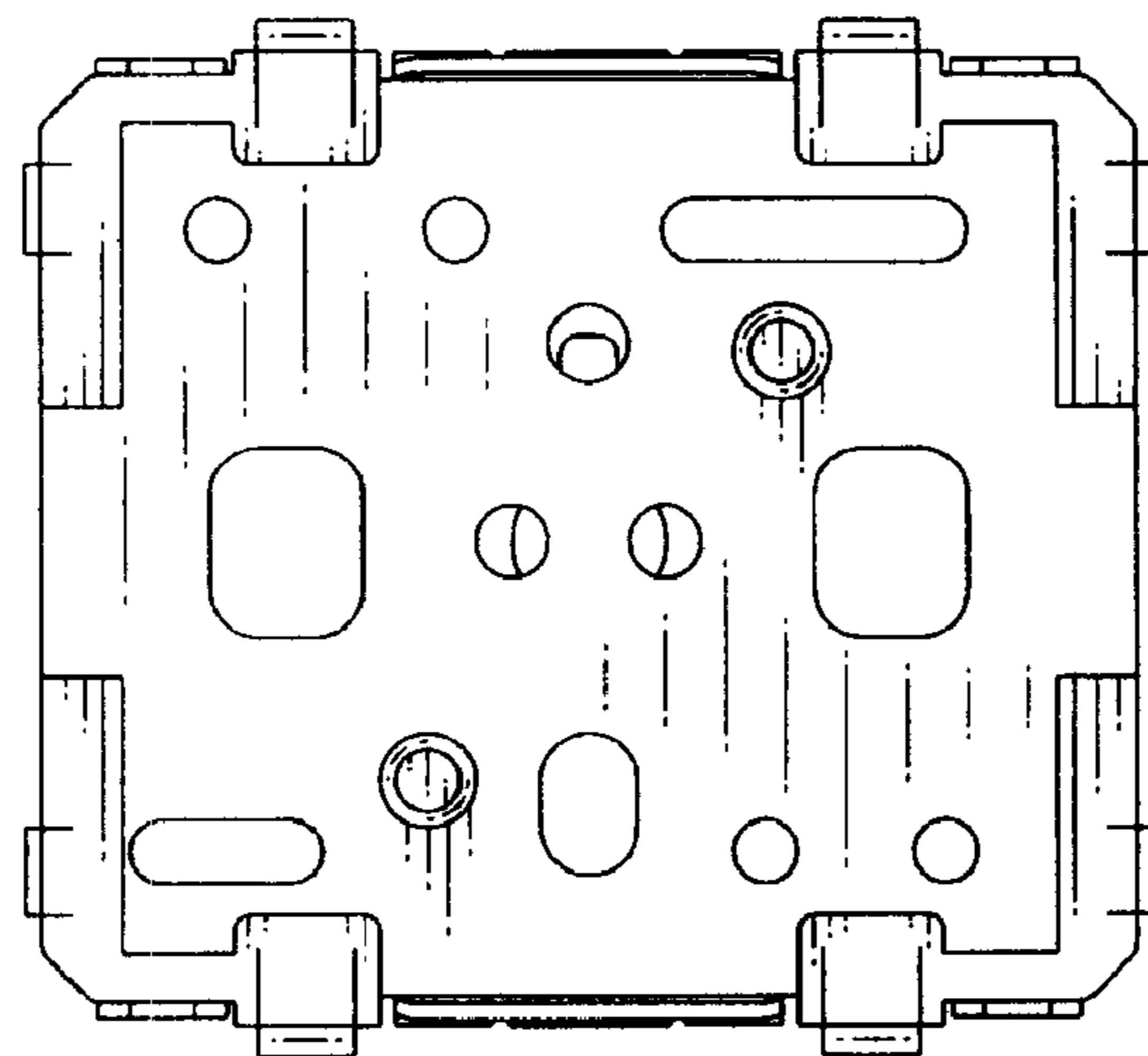


Fig. 5

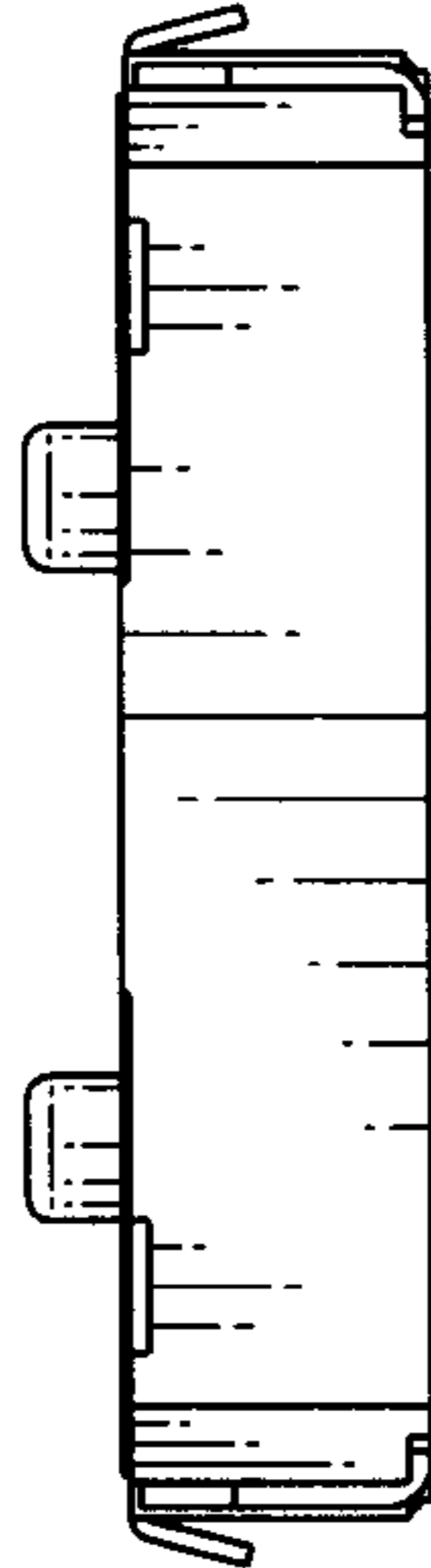


Fig. 6

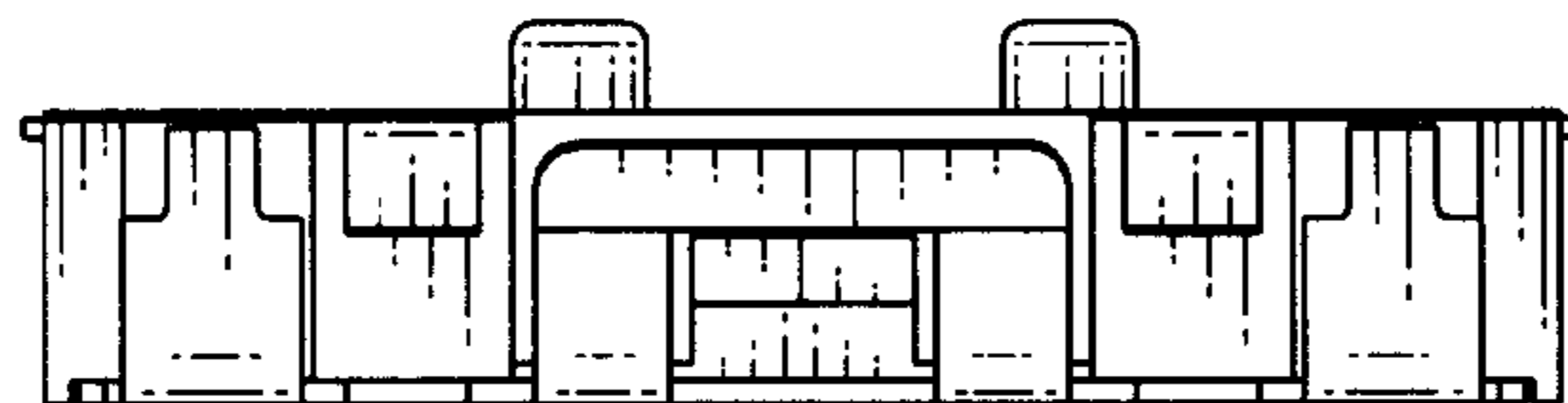


Fig. 7

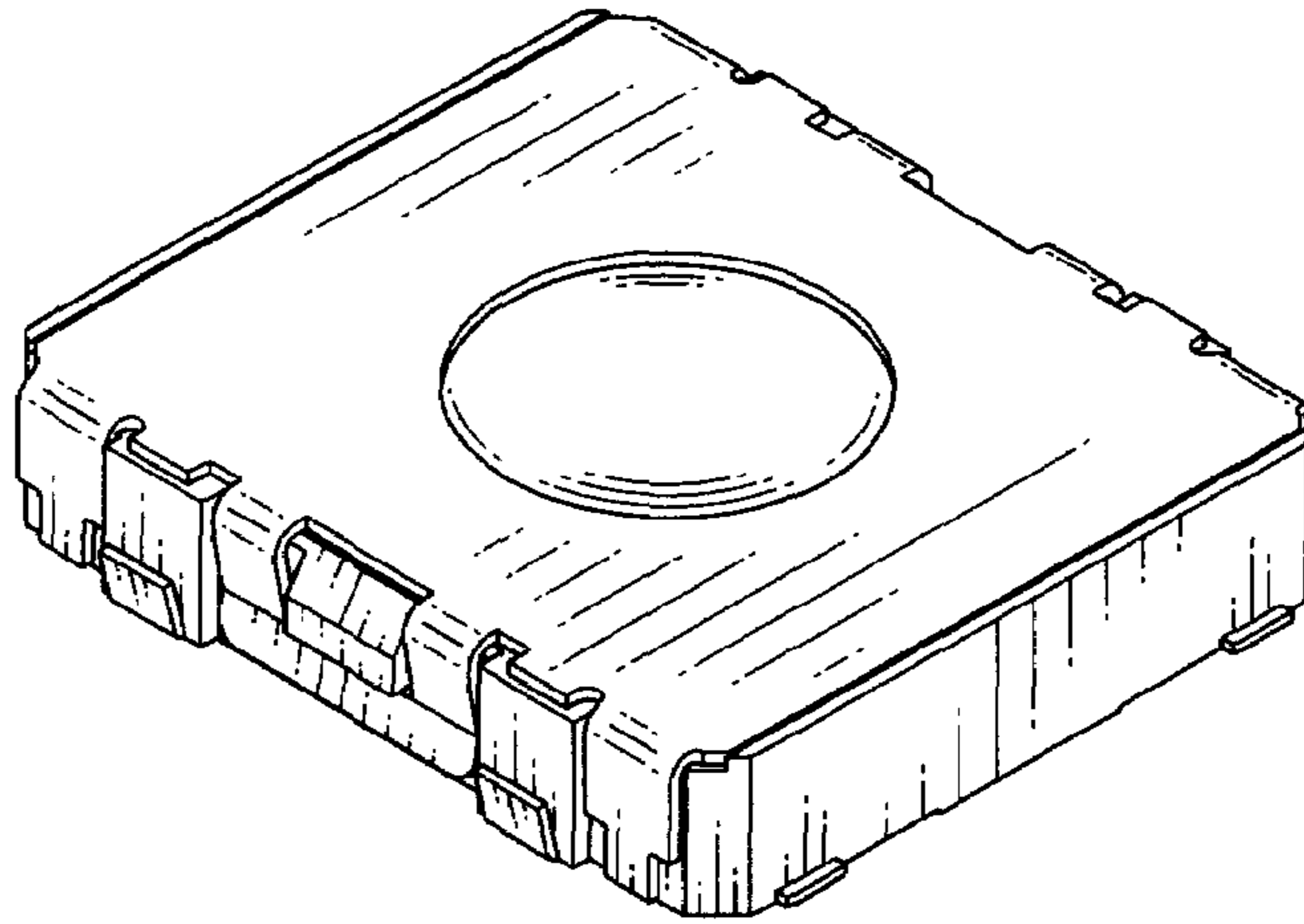


Fig. 8

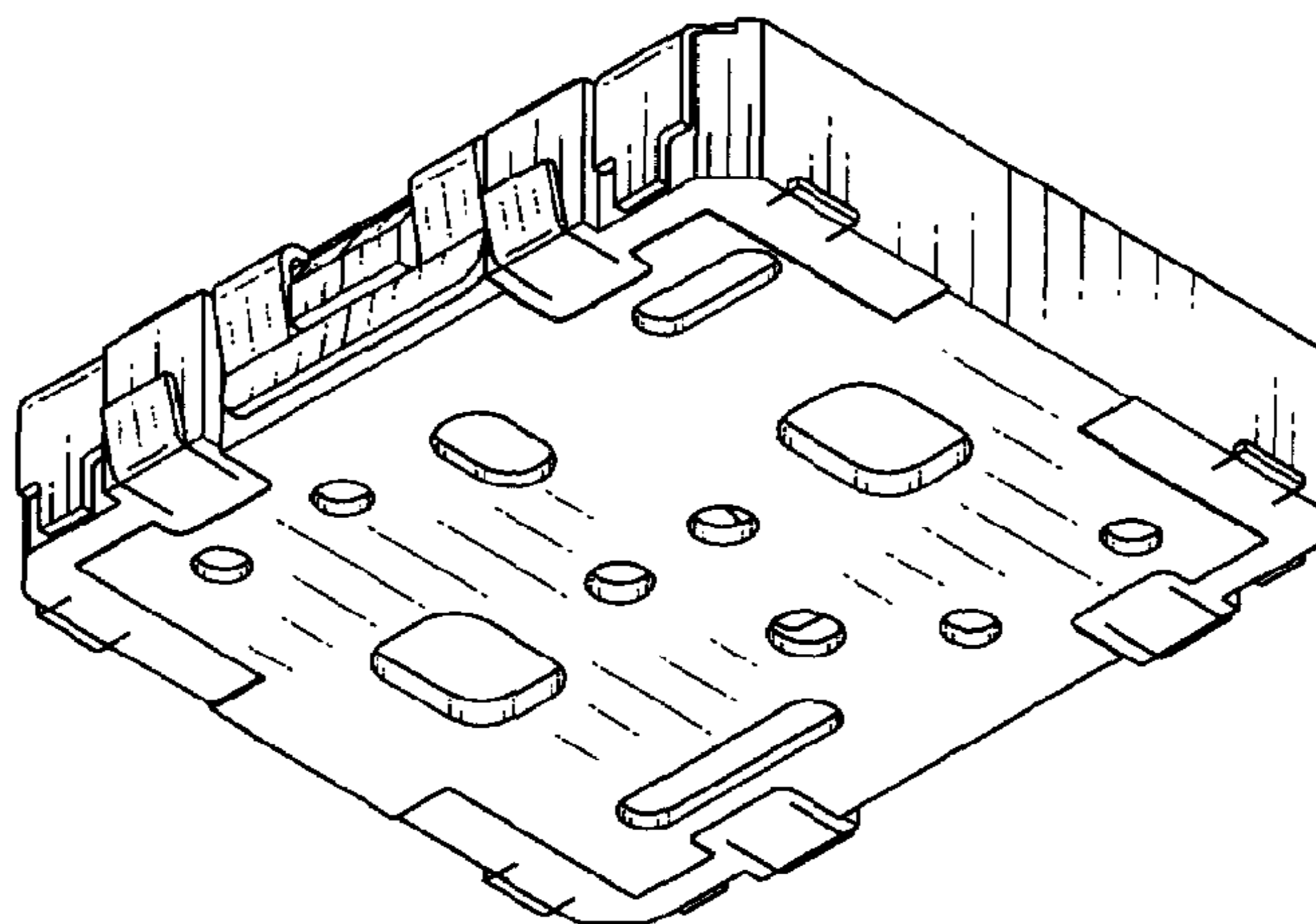


Fig. 9

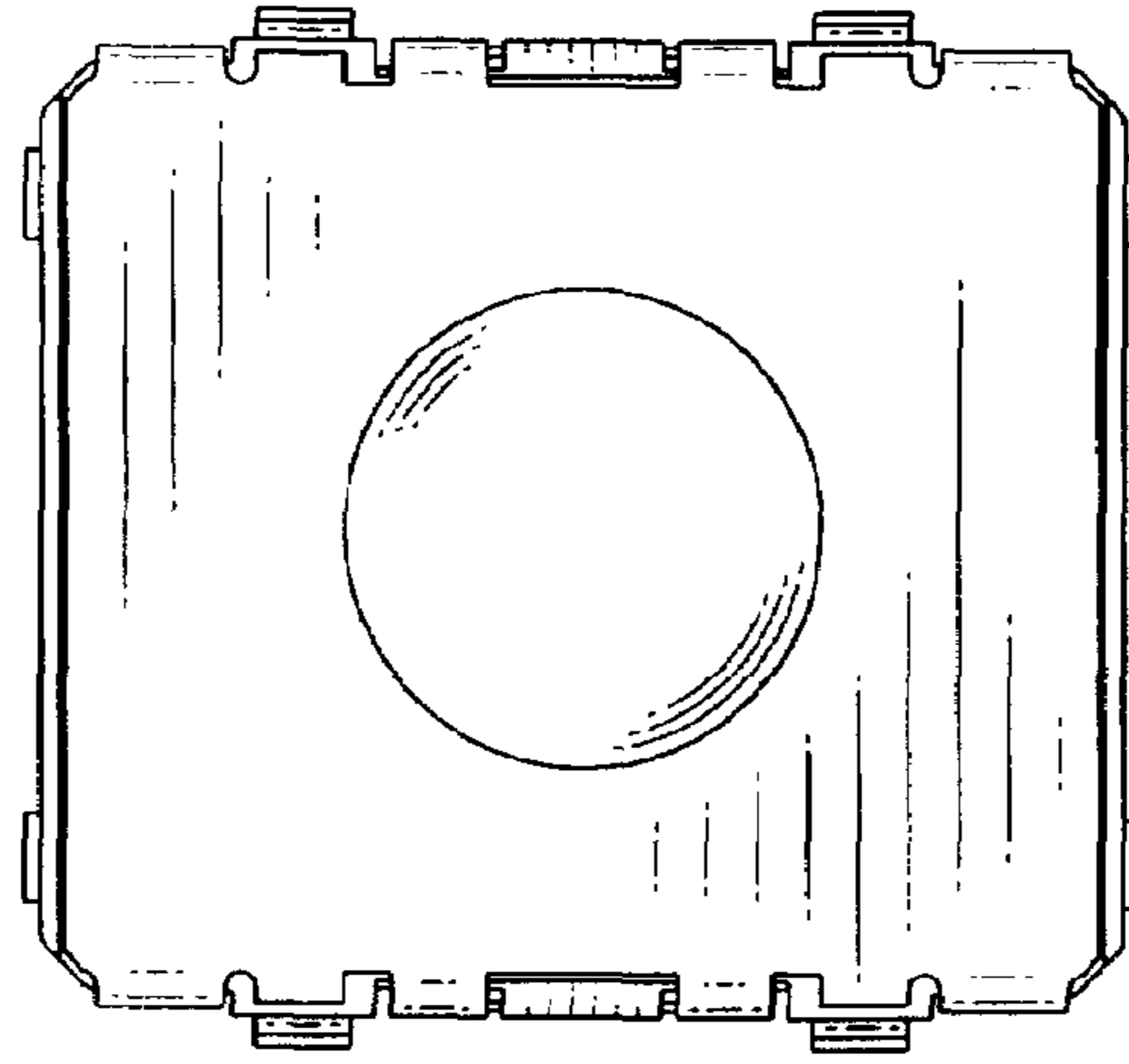


Fig. 10

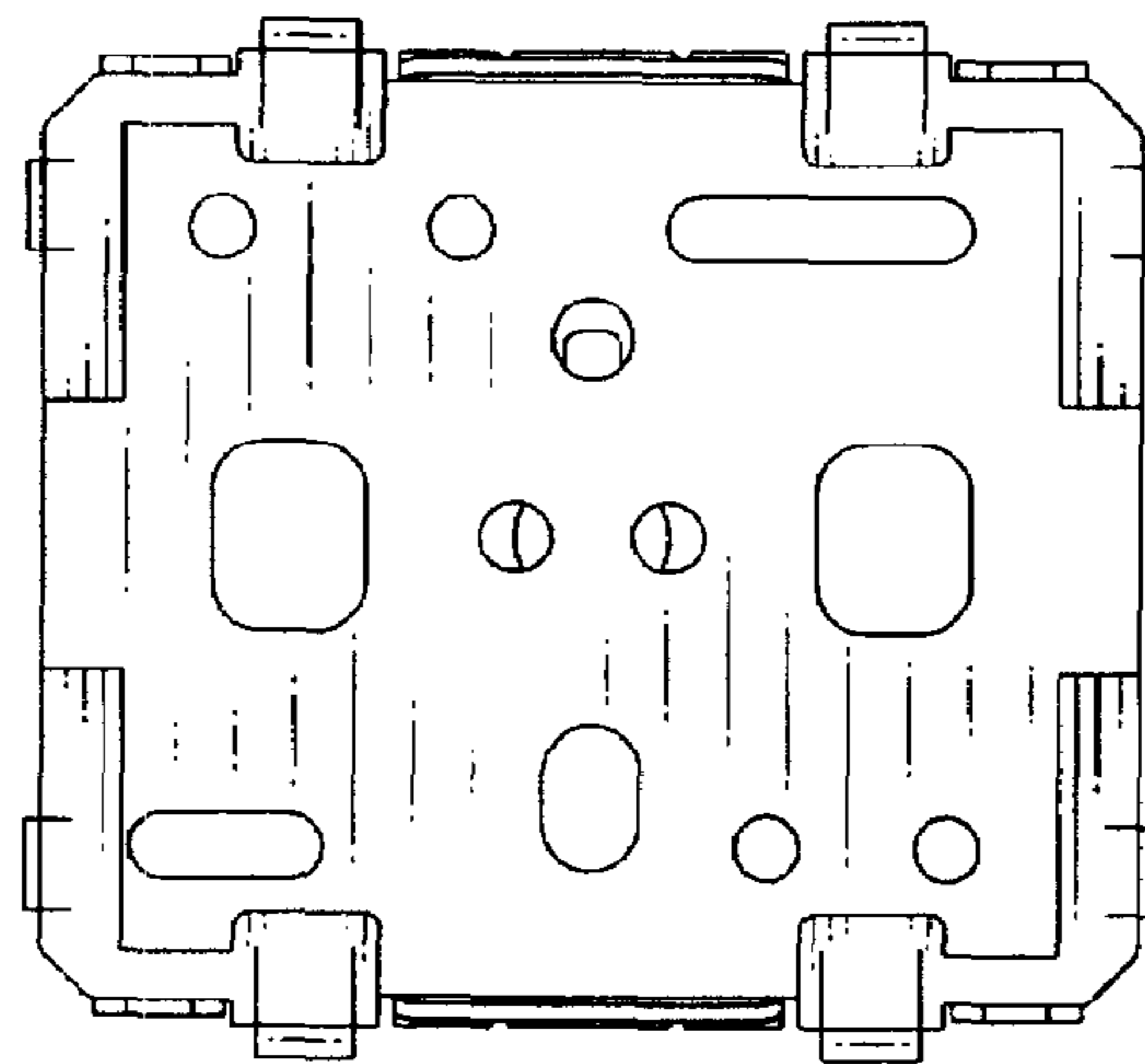


Fig. 11

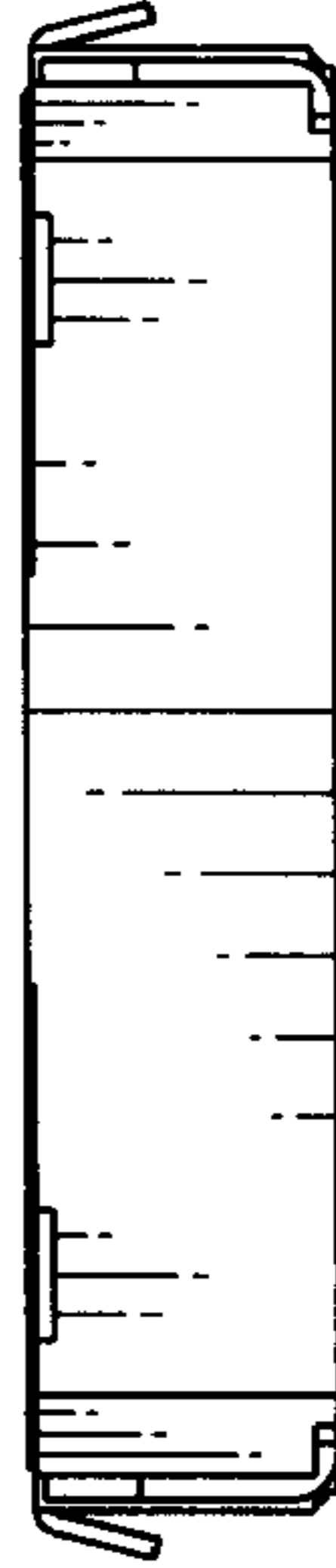


Fig. 12

