



US00D613252S

(12) **United States Design Patent**
Nagata et al.

(10) **Patent No.:** **US D613,252 S**
(45) **Date of Patent:** **** Apr. 6, 2010**

(54) **ELECTRICAL CONNECTOR**

D559,190 S * 1/2008 Arai et al. D13/147

(75) Inventors: **Takayuki Nagata**, Yao (JP); **Daisuke Sasaki**, Isesaki (JP)

* cited by examiner

Primary Examiner—Daniel D Bui

(73) Assignee: **Hosiden Corporation**, Osaka (JP)

(74) *Attorney, Agent, or Firm*—Rankin, Hill & Clark LLP

(**) Term: **14 Years**

(57) **CLAIM**

(21) Appl. No.: **29/338,701**

The ornamental design for an electrical connector, as shown and described.

(22) Filed: **Jun. 17, 2009**

DESCRIPTION

(30) **Foreign Application Priority Data**

FIG. 1 is a front, right side and bottom perspective view of an electrical connector showing our new design;

Dec. 18, 2008 (JP) 2008-032090

FIG. 2 is a front elevation view thereof;

(51) **LOC (9) Cl.** **13-03**

FIG. 3 is a rear view thereof;

(52) **U.S. Cl.** **D13/147**

FIG. 4 is a left side view thereof;

(58) **Field of Classification Search** D13/146–147,
D13/154, 184; 439/79, 108, 278, 374, 377,
439/607–610, 660, 680, 682, 883, 891, 894
See application file for complete search history.

FIG. 5 is a right side view thereof;

FIG. 6 is a top plan view thereof; and,

FIG. 7 is a bottom plan view thereof.

(56) **References Cited**

The broken-line disclosure in the views is understood to represent portions of the article in which the claimed design is embodied, but which form no part of the claimed design. Where a broken-line abuts a claimed surface, that broken line is understood to represent an unclaimed boundary between claimed and unclaimed surfaces.

U.S. PATENT DOCUMENTS

- D409,575 S * 5/1999 Okamoto D13/147
- D526,619 S * 8/2006 Tsai D13/147
- D535,624 S * 1/2007 Toyota et al. D13/147
- D548,191 S * 8/2007 Arai et al. D13/147
- D559,189 S * 1/2008 Arai et al. D13/147

1 Claim, 4 Drawing Sheets

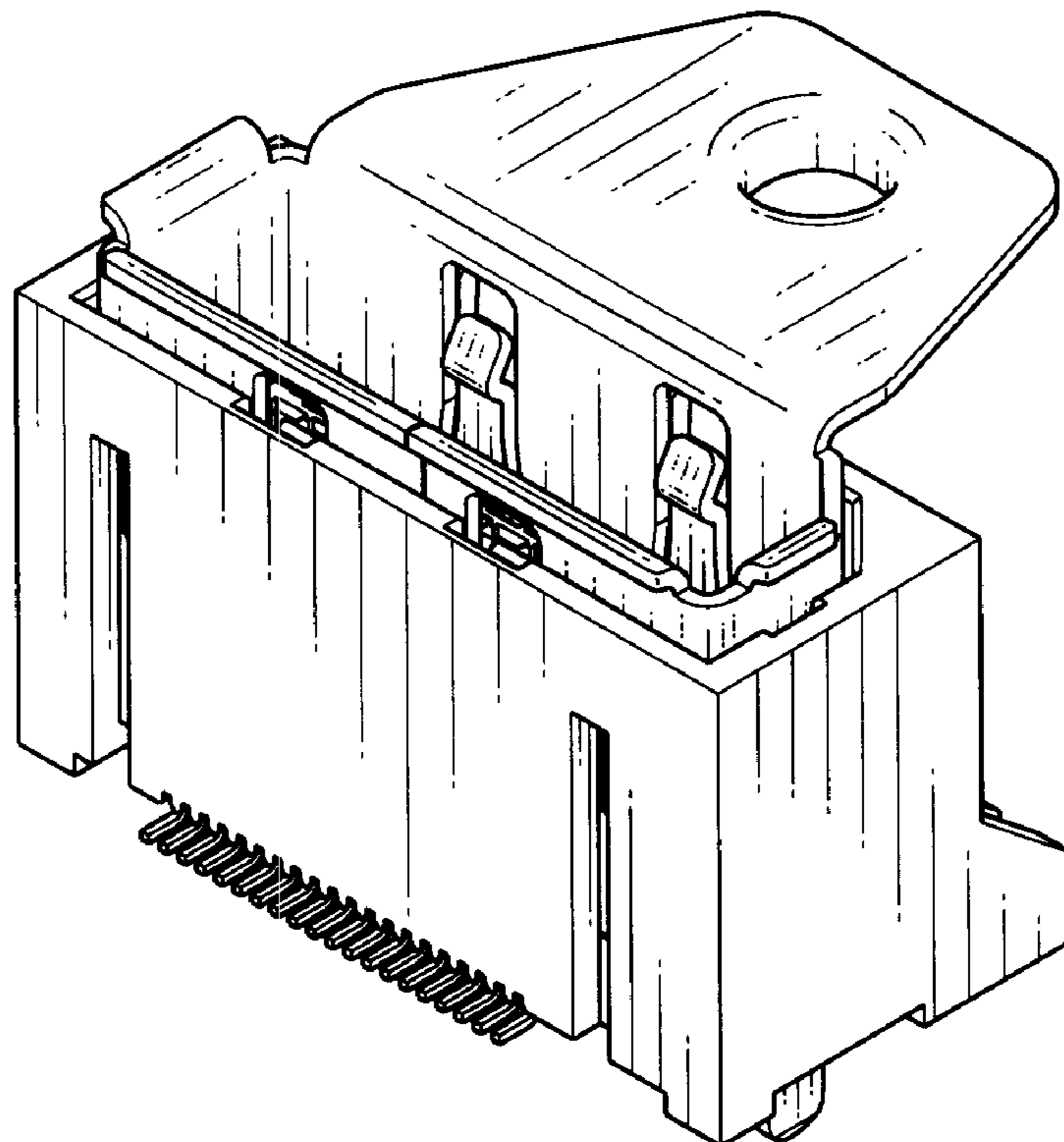


Fig. 1

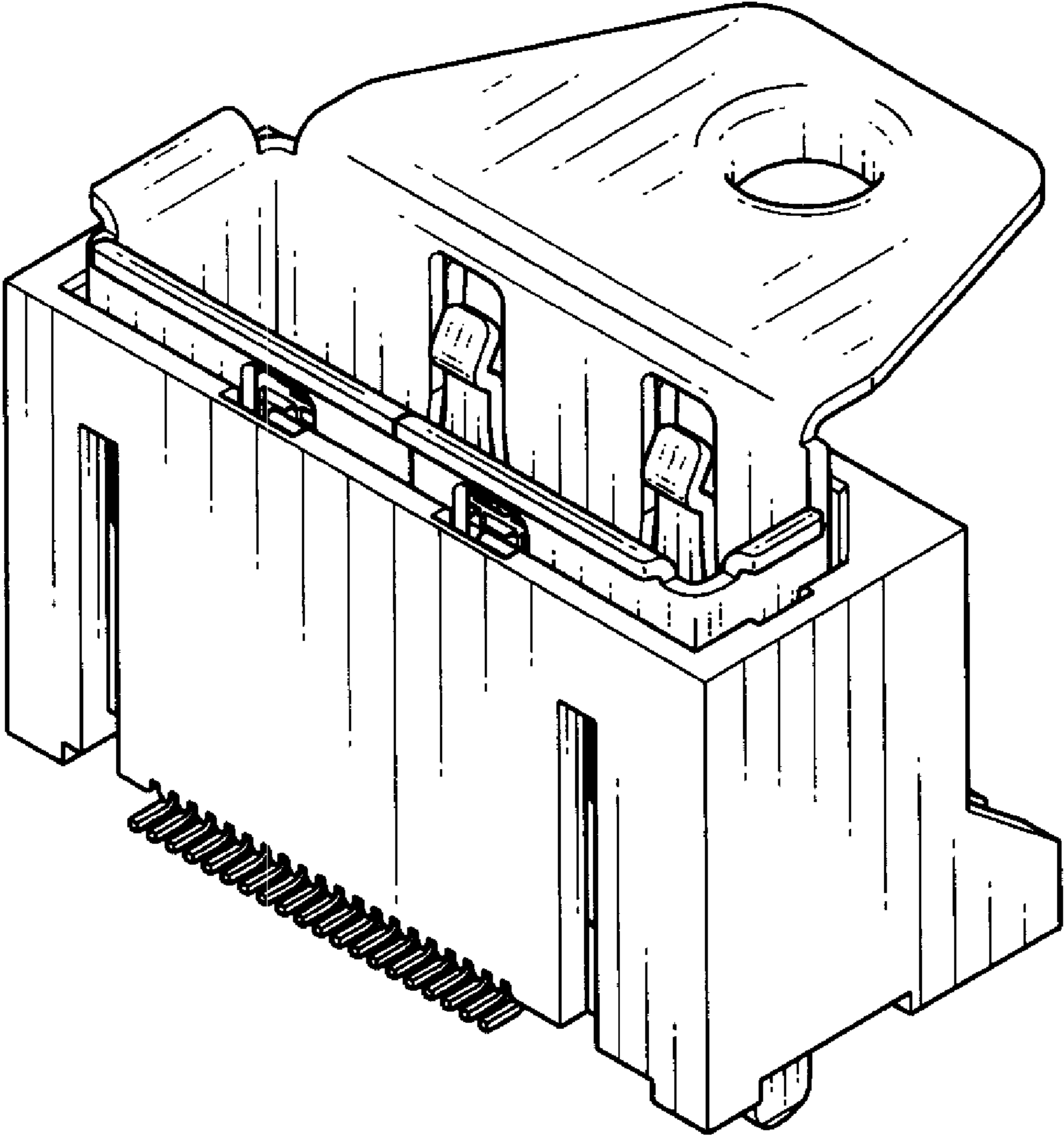


Fig. 2

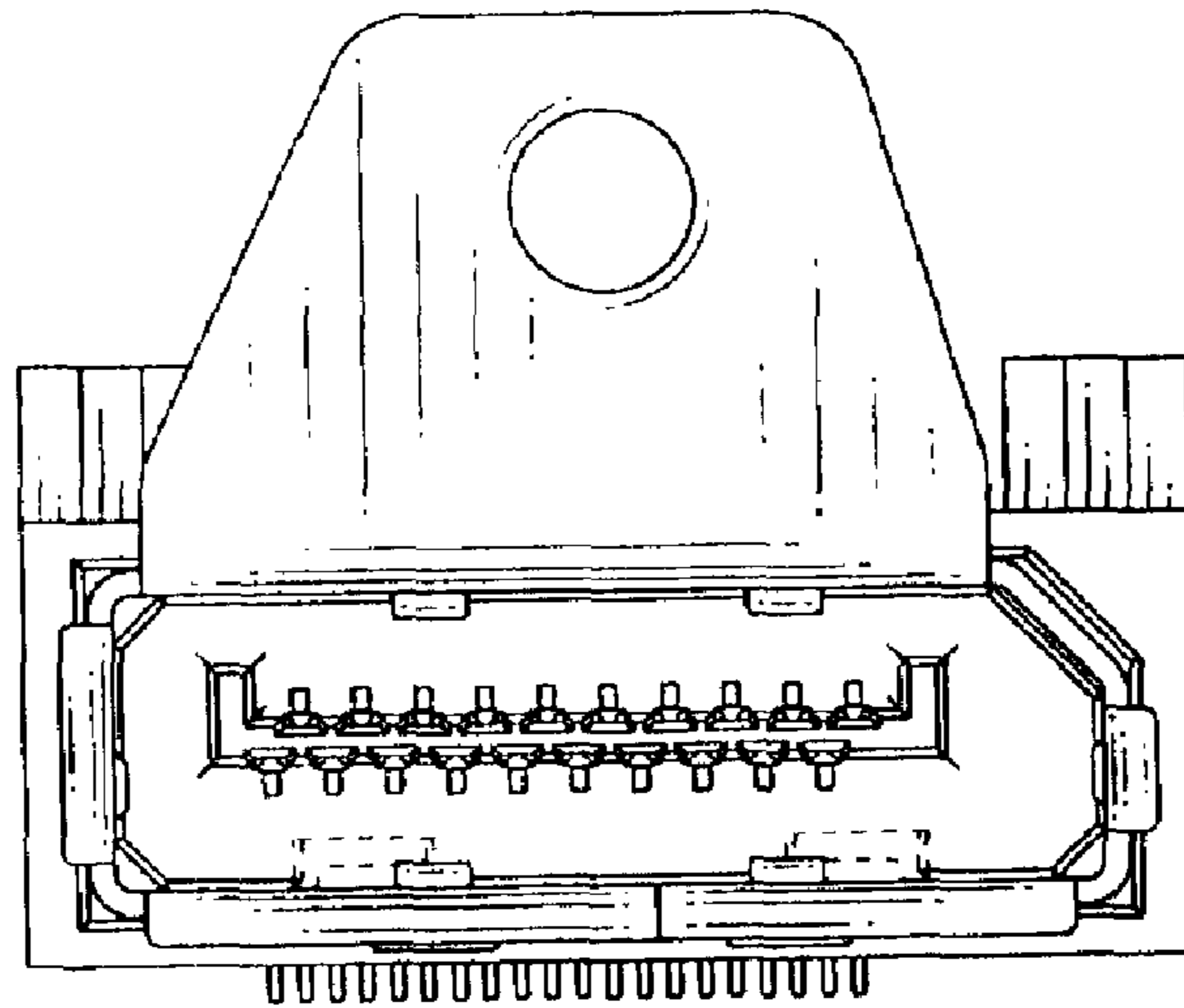


Fig. 3

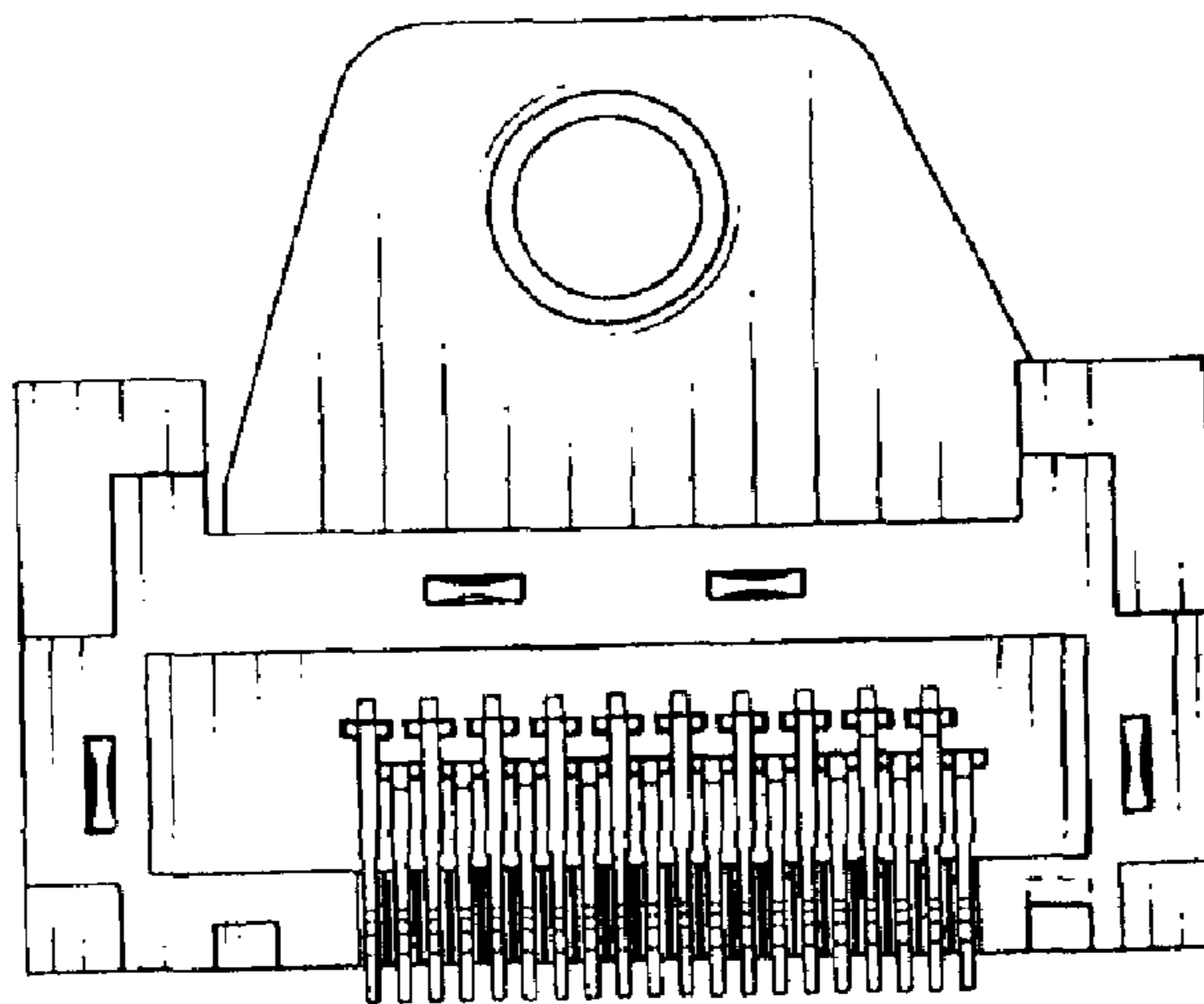


Fig. 4

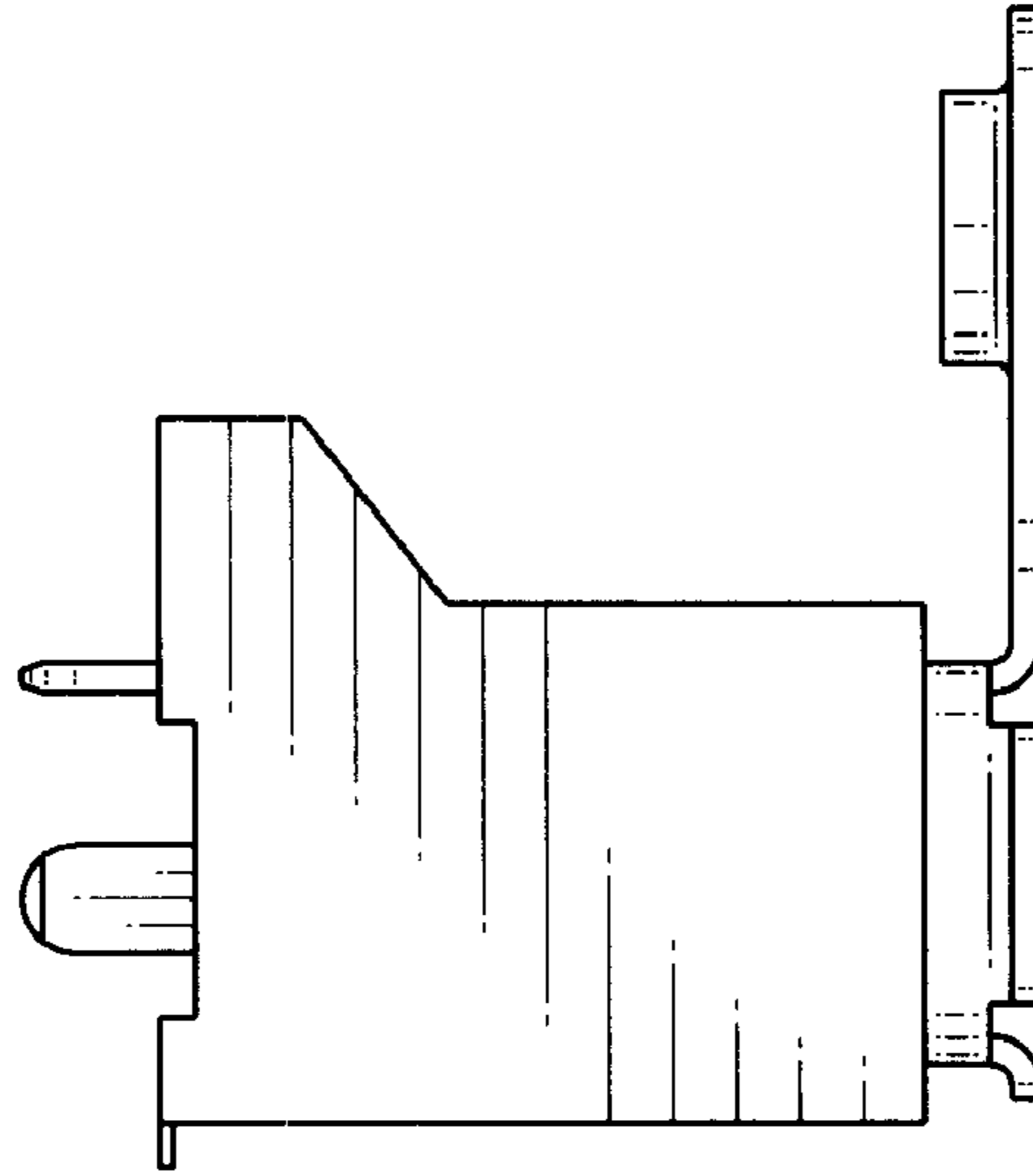


Fig. 5

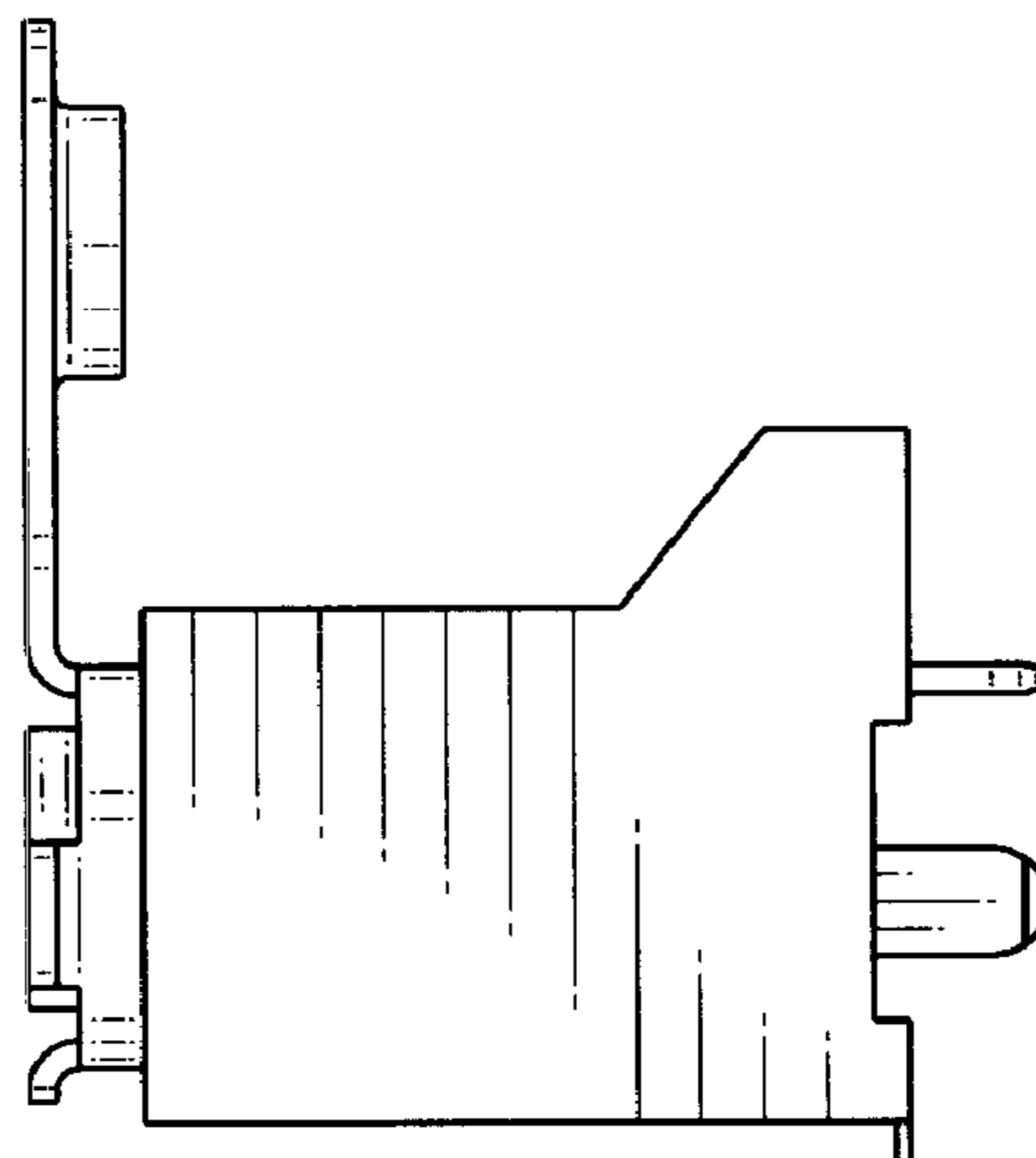


Fig. 6

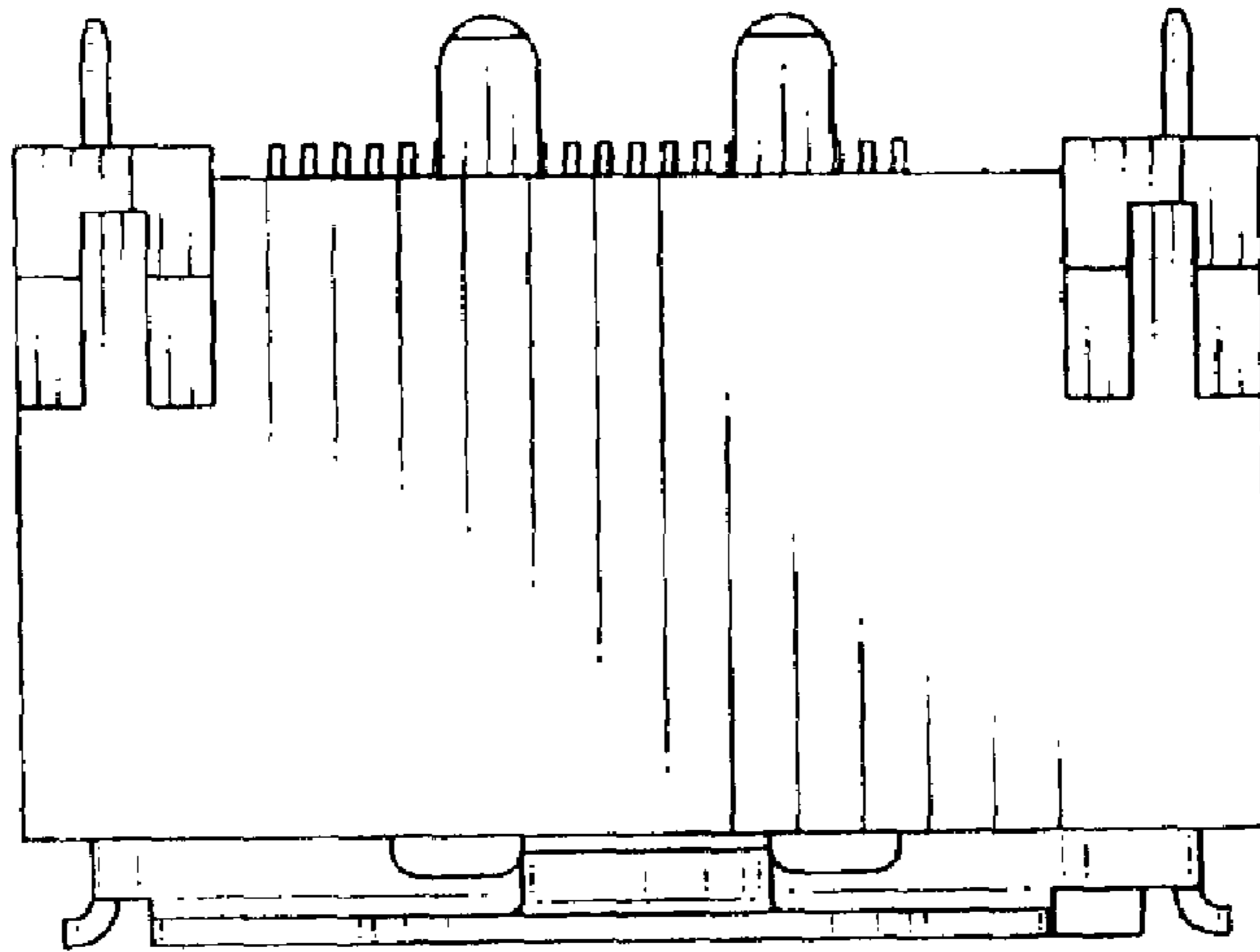


Fig. 7

