



US00D613250S

(12) **United States Design Patent**
Barrios et al.

(10) **Patent No.:** **US D613,250 S**
(45) **Date of Patent:** **** Apr. 6, 2010**

(54) **MODULAR CONNECTOR WIRING SYSTEM**

(75) Inventors: **Philip A. Barrios**, Madison, CT (US);
Sorin I. Mortun, Irvington, NY (US)

(73) Assignee: **Hubbell Incorporated**, Orange, CT (US)

(**) Term: **14 Years**

(21) Appl. No.: **29/311,788**

(22) Filed: **Jun. 22, 2009**

(51) **LOC (9) Cl.** **13-03**

(52) **U.S. Cl.** **D13/147**

(58) **Field of Classification Search** D13/133,
D13/146-147, 153, 154, 184; 439/329, 352,
439/353, 650, 660, 668, 677, 678, 680, 682
See application file for complete search history.

(56) **References Cited**

U.S. PATENT DOCUMENTS

D194,501 S *	2/1963	Maurer	D13/147
3,963,300 A	6/1976	Patton et al.		
4,272,689 A	6/1981	Crosby et al.		
RE31,033 E	9/1982	Wilson, Jr. et al.		
4,702,538 A	10/1987	Hutter et al.		
4,927,388 A	5/1990	Gutter		
4,959,023 A	9/1990	Watanabe et al.		
4,979,912 A	12/1990	Shindo et al.		
D316,846 S	5/1991	Moriai et al.		
D333,293 S *	2/1993	Ashida	D13/147
D373,192 S *	8/1996	Murphy et al.	D24/129
6,113,435 A	9/2000	Anderson, Jr. et al.		
6,902,415 B2	6/2005	Ramsey et al.		
D510,908 S *	10/2005	Byrne	D13/147
7,077,708 B1	7/2006	Johnson et al.		
D563,890 S *	3/2008	Dever	D13/147
7,347,721 B2	3/2008	Kameyama		

D577,671 S *	9/2008	Schnitzler	D13/133
D583,770 S	12/2008	Ramsey		
2004/0224562 A1	11/2004	Dolinshek et al.		
2007/0270017 A1	11/2007	Hardacker et al.		

FOREIGN PATENT DOCUMENTS

JP	3089476	4/1991
JP	4244719	9/1992

* cited by examiner

Primary Examiner—Daniel D Bui

(74) Attorney, Agent, or Firm—Jenae C. Gureff; Mark S. Bicks; Alfred N. Goodman

(57) **CLAIM**

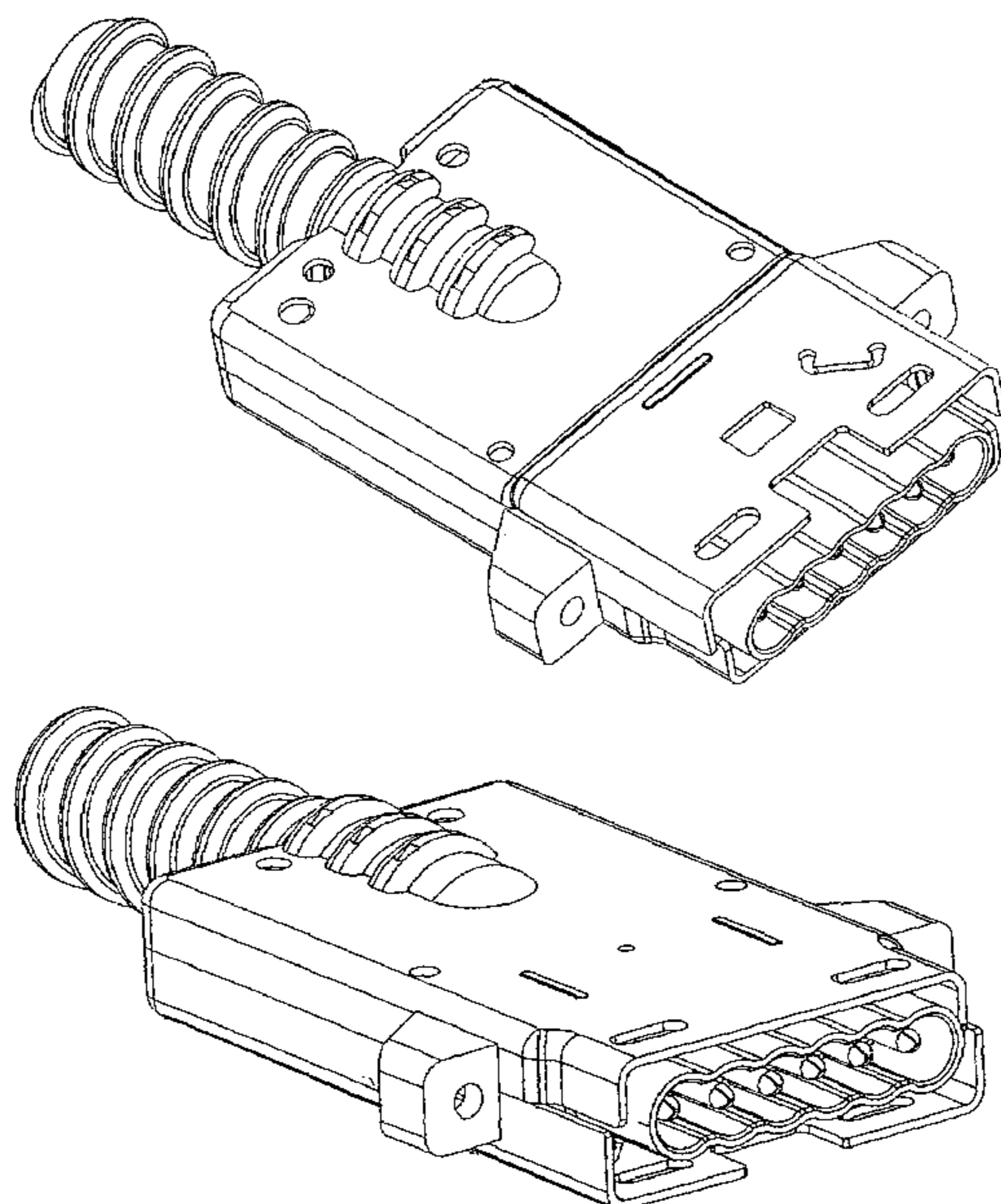
The ornamental design for a modular connector wiring system, as shown and described.

DESCRIPTION

FIG. 1 is a top, front and right side perspective view of a modular connector wiring system showing my new design; FIG. 2 is a bottom, front and left side perspective view thereof; FIG. 3 is a bottom, rear and left side perspective view thereof; FIG. 4 is a top plan view thereof; FIG. 5 is a bottom plan view thereof; FIG. 6 is a right side elevation view thereof; FIG. 7 is a left side elevation view thereof; FIG. 8 is a front elevation view thereof; and, FIG. 9 is a rear elevation view thereof.

The broken lines depict internal elements of the modular connector wiring system shown in FIGS. 8 and 9 and is unclaimed subject matter forming no part of the claimed design.

1 Claim, 4 Drawing Sheets



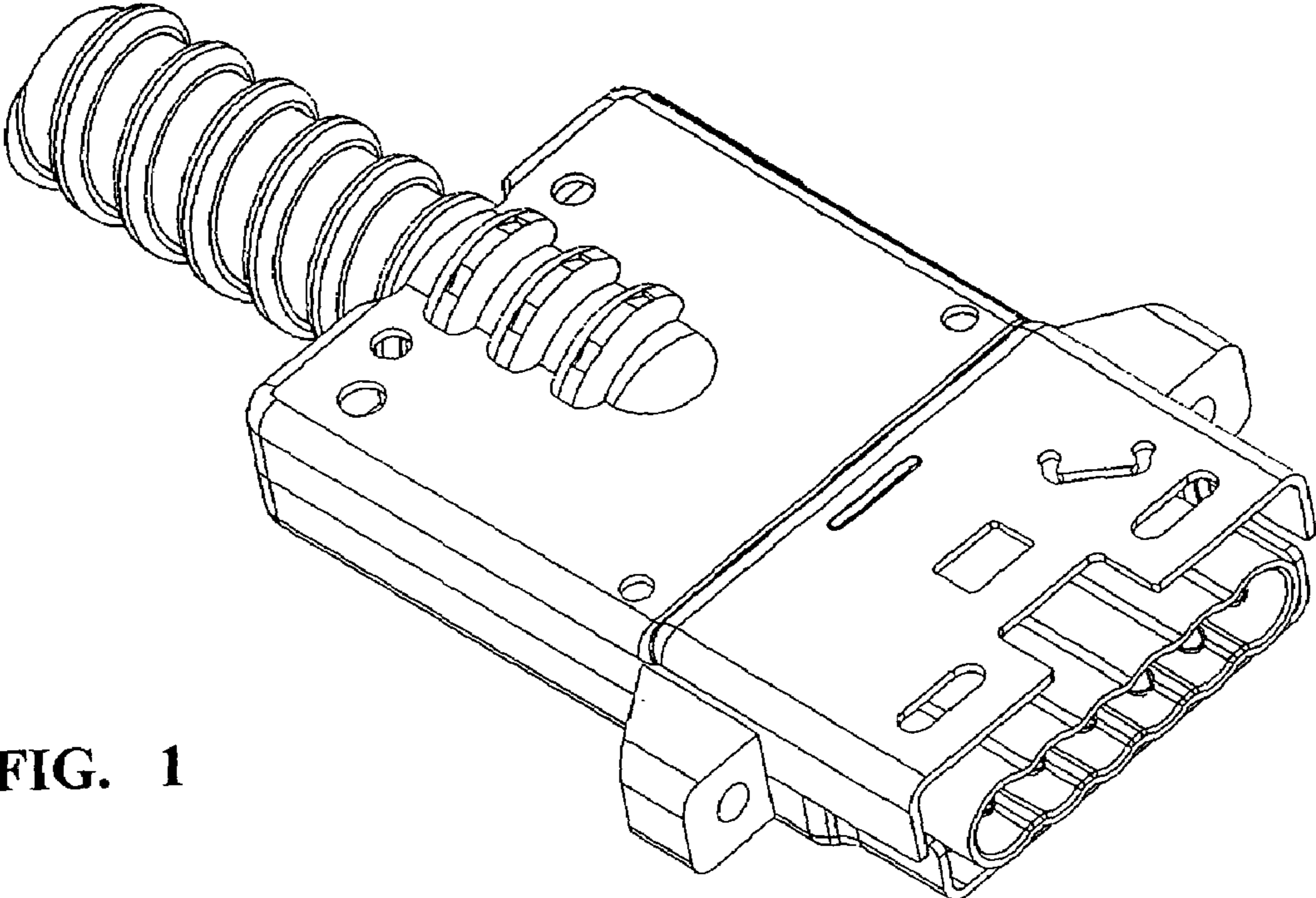


FIG. 1

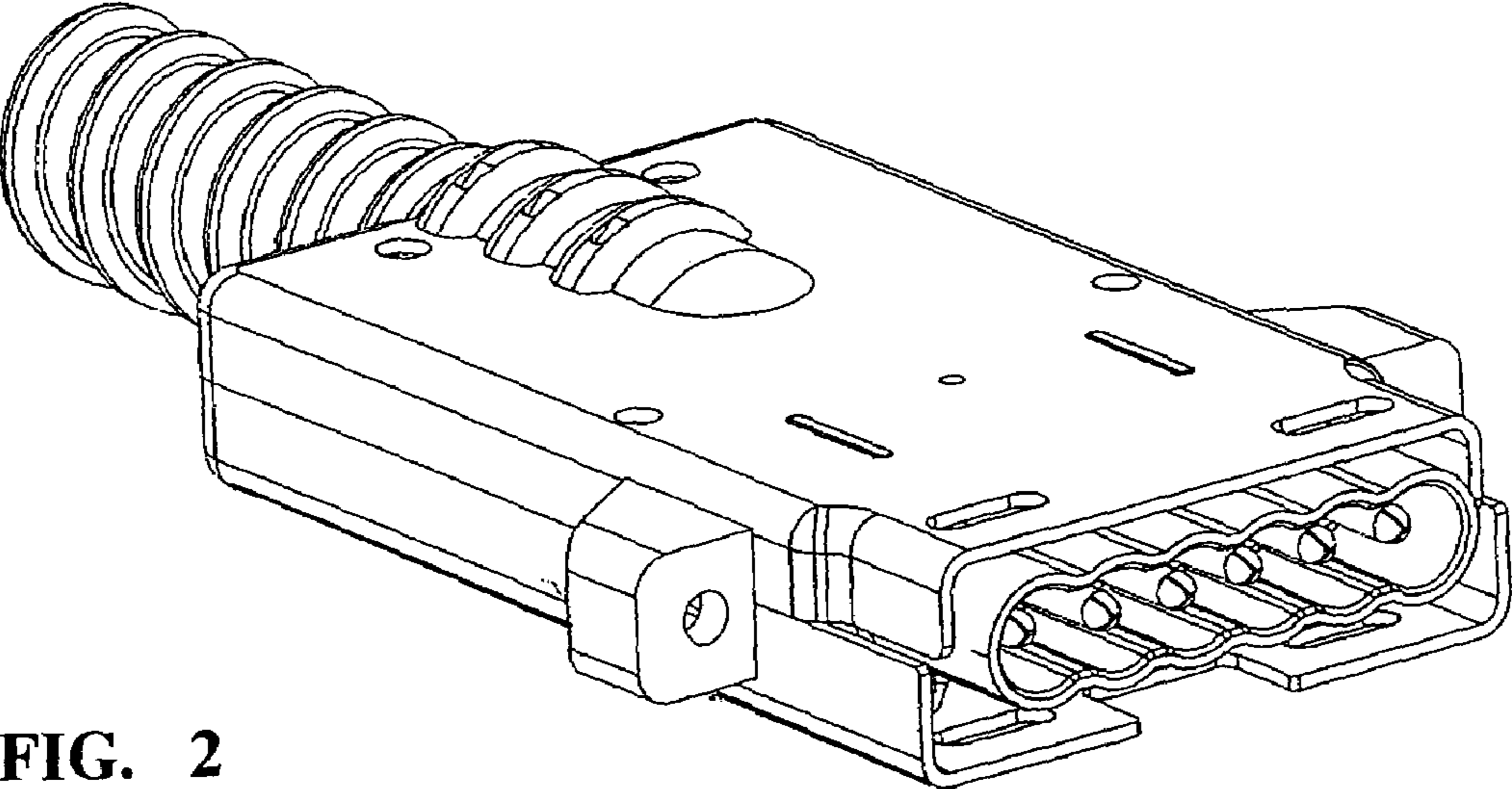


FIG. 2

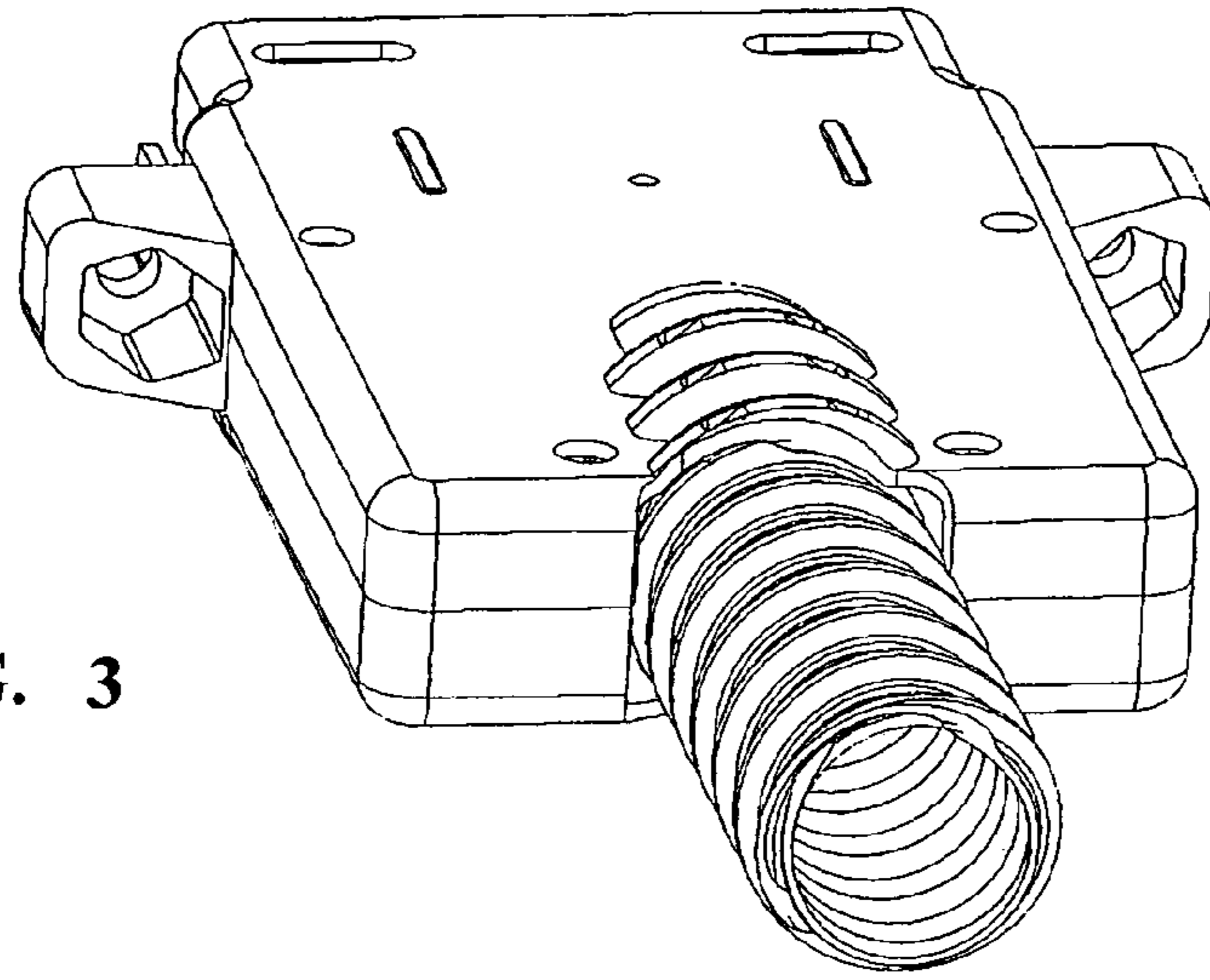


FIG. 3

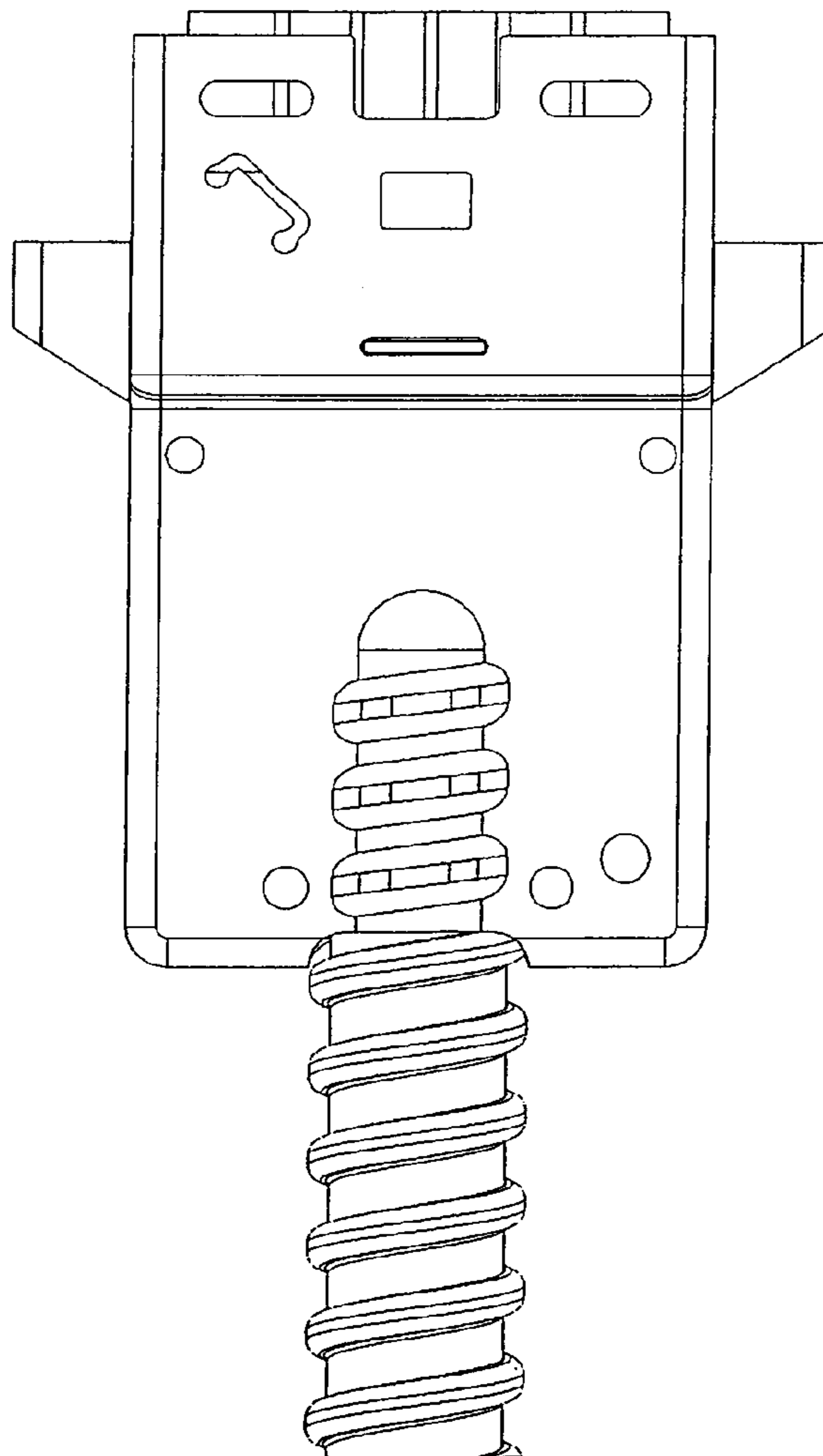


FIG. 4

FIG. 5

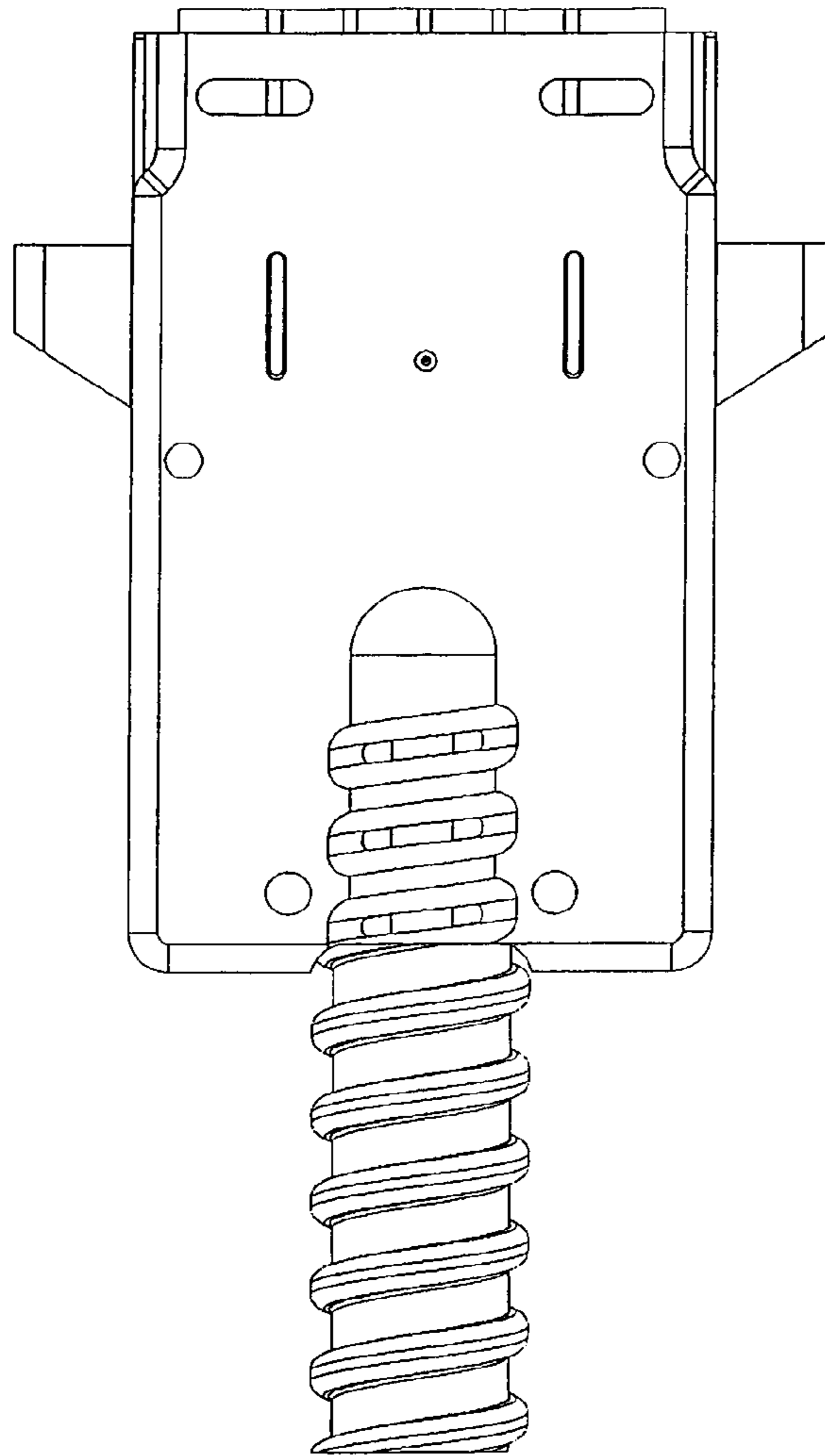


FIG. 8

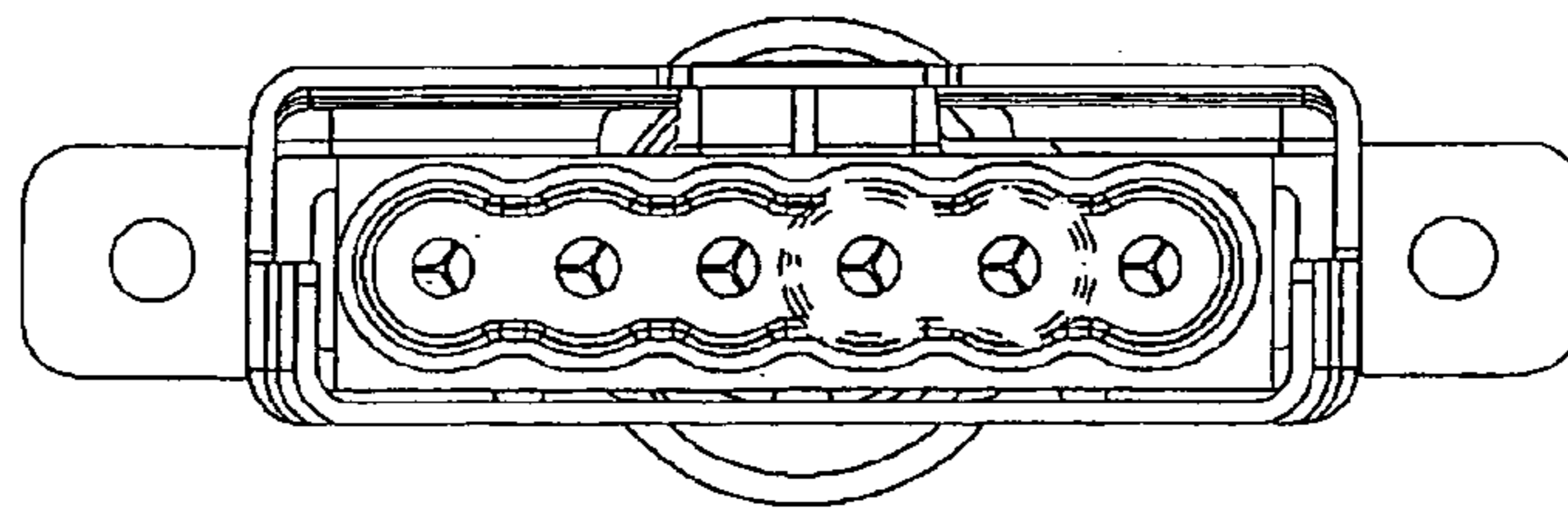


FIG. 9

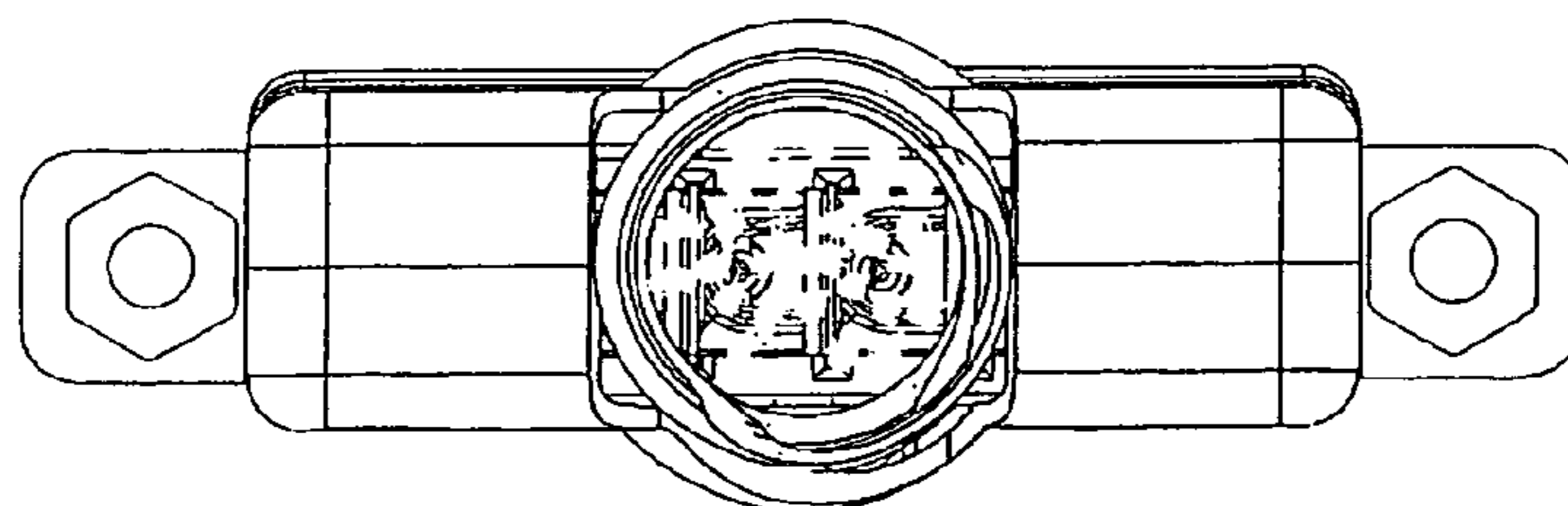


FIG. 6

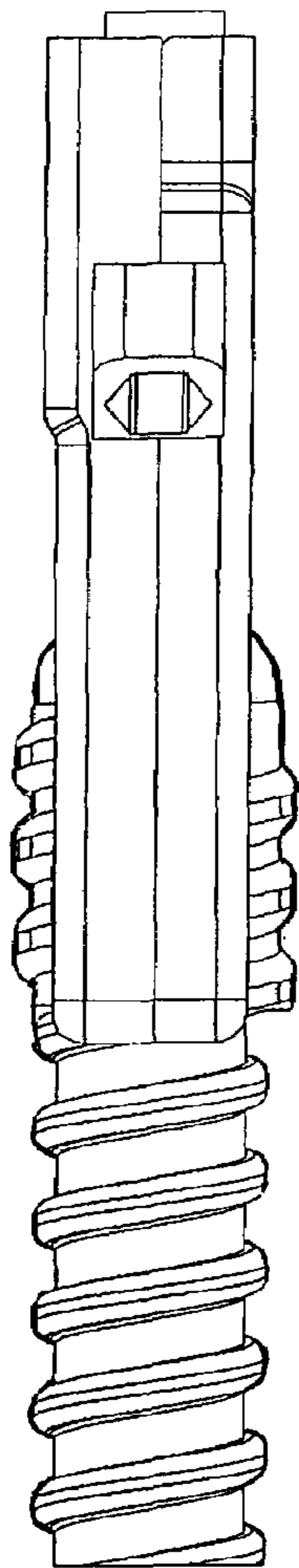


FIG. 7

