



US00D613249S

(12) **United States Design Patent**
Nagata et al.

(10) **Patent No.:** **US D613,249 S**
(45) **Date of Patent:** **** Apr. 6, 2010**

(54) **ELECTRICAL CONNECTOR**

(75) Inventors: **Takayuki Nagata, Yao (JP); Takahisa Ohtsuji, Yao (JP)**

(73) Assignee: **Hosiden Corporation, Osaka (JP)**

(**) Term: **14 Years**

(21) Appl. No.: **29/306,714**

(22) Filed: **Apr. 15, 2008**

(30) **Foreign Application Priority Data**

Oct. 15, 2007	(JP)	2007-028040
Oct. 15, 2007	(JP)	2007-028041
Jan. 25, 2008	(JP)	2008-001388
Jan. 25, 2008	(JP)	2008-001389

(51) **LOC (9) Cl.** **13-03**

(52) **U.S. Cl.** **D13/147**

(58) **Field of Classification Search** D13/133,
D13/146-147, 153, 154, 184; D21/324,
D21/333, 385; 439/350, 352, 358, 447, 578,
439/584, 585, 607-610, 660, 680, 682, 686
See application file for complete search history.

(56) **References Cited**

U.S. PATENT DOCUMENTS

D416,233 S	*	11/1999	Tsai	D13/153
D416,542 S	*	11/1999	Tsai	D13/153

D416,868 S	*	11/1999	Tsai	D13/153
D442,553 S	*	5/2001	Urban et al.	D13/153
D493,144 S	*	7/2004	Cheng et al.	D13/147

* cited by examiner

Primary Examiner—Daniel D Bui

(74) *Attorney, Agent, or Firm*—Panitch Schwarze Belisario & Nadel LLP

(57) **CLAIM**

The ornamental design for an electrical connector, as shown and described.

DESCRIPTION

FIG. 1 is a front, left side and bottom perspective view of an electrical connector in accordance with an embodiment of our new design;

FIG. 2 is a front elevation view thereof;

FIG. 3 is a rear elevation view thereof;

FIG. 4 is a left side elevation view thereof;

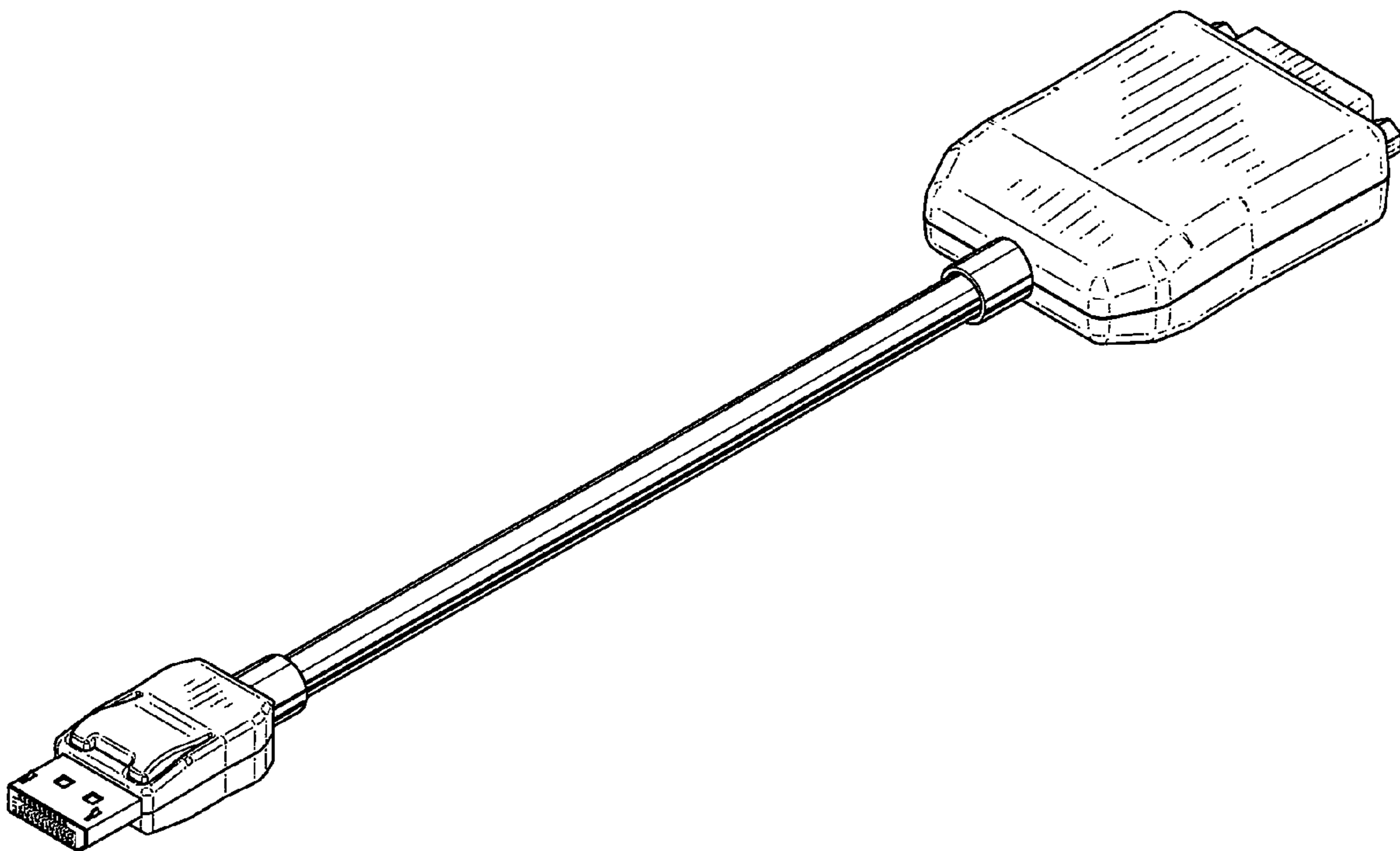
FIG. 5 is a right side elevation view thereof;

FIG. 6 is a top plan view thereof; and,

FIG. 7 is a bottom plan view thereof.

The broken lines of connecting elements within aperture ends shown in FIGS. 1, 4, and 5 are for illustrative purposes only and form no part of the claimed design.

1 Claim, 3 Drawing Sheets



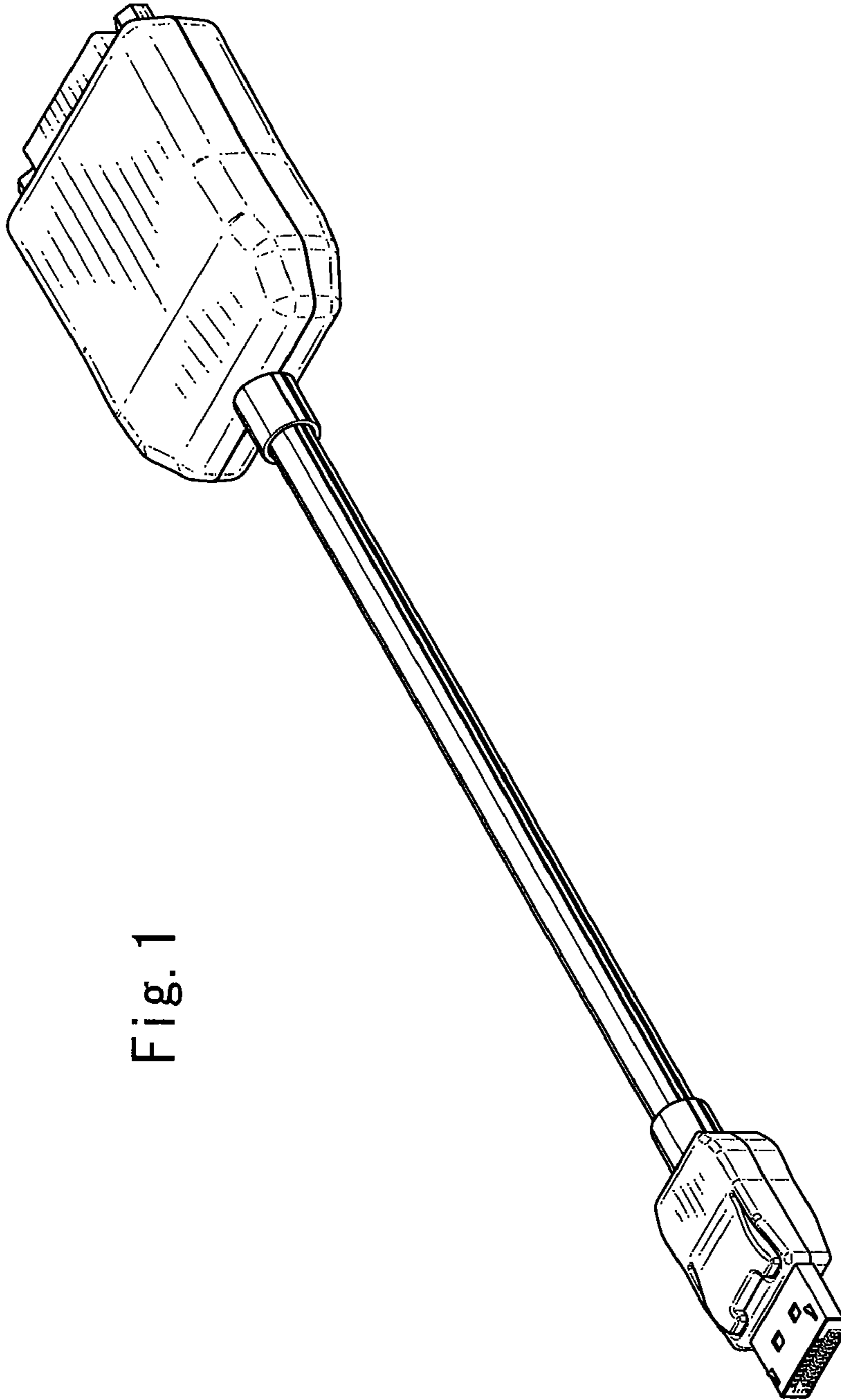


Fig. 1

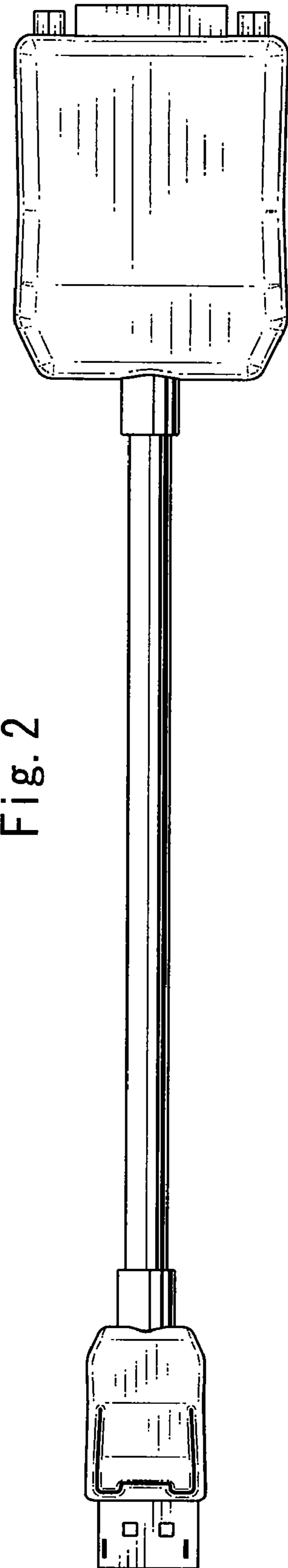


Fig. 2

Fig. 3

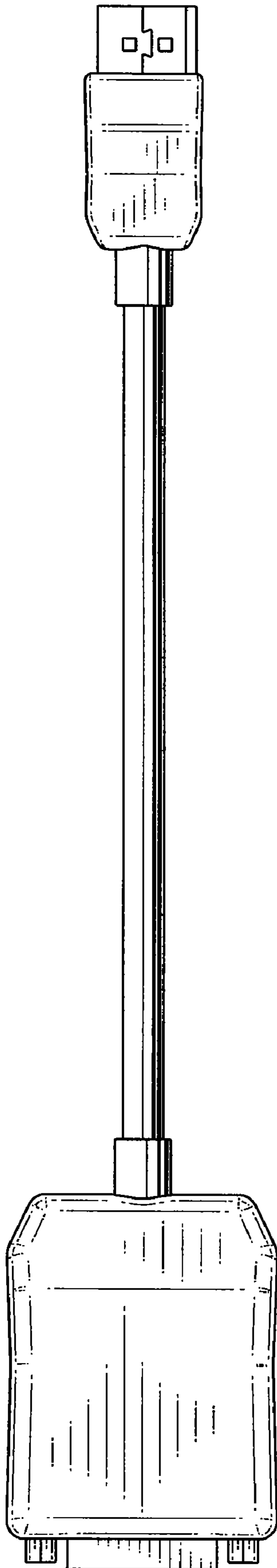


Fig. 4

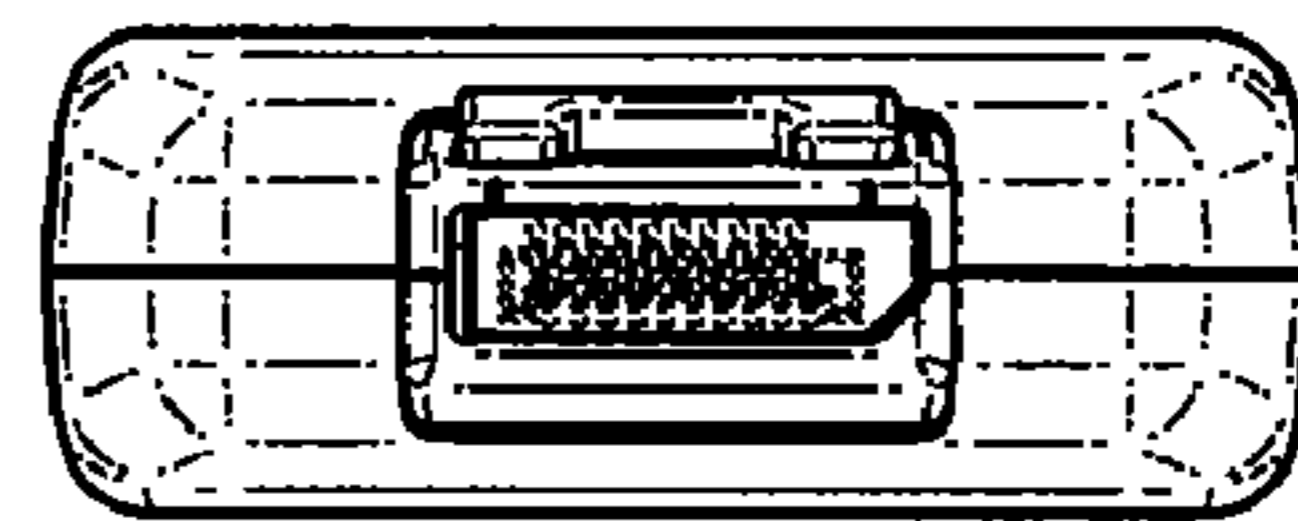


Fig. 5



Fig. 6

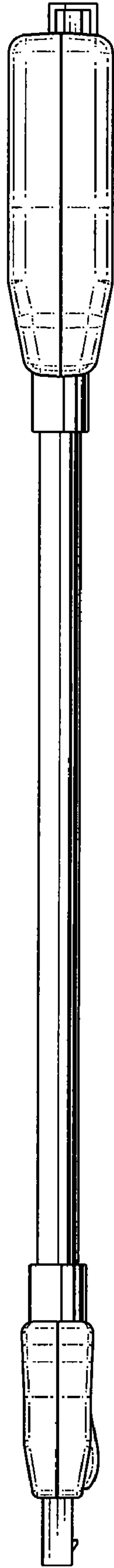


Fig. 7

