



US00D613247S

(12) **United States Design Patent**  
**Anderson**

(10) **Patent No.:** **US D613,247 S**

(45) **Date of Patent:** **\*\* Apr. 6, 2010**

(54) **ELECTRICAL FIXTURE**

(76) Inventor: **John D. Anderson**, 63 Lafayette Ave.,  
Voorhees, NJ (US) 08043

(\*\*) Term: **14 Years**

(21) Appl. No.: **29/310,439**

(22) Filed: **Aug. 15, 2008**

(51) **LOC (9) Cl.** ..... **13-03**

(52) **U.S. Cl.** ..... **D13/136**

(58) **Field of Classification Search** ..... D13/133-136,  
D13/154, 184, 199; D26/24, 25, 60, 61,  
D26/62, 92, 113; 313/318.01-318.05, 318.12;  
362/103, 123, 565, 581, 640; 439/336, 602,  
439/660, 699.2

See application file for complete search history.

(56) **References Cited**

**U.S. PATENT DOCUMENTS**

1,281,999	A *	10/1918	Peterson	.....	362/454
D65,291	S *	7/1924	McKinley	.....	D13/136
D65,874	S *	10/1924	Strongson	.....	D13/136
5,006,971	A *	4/1991	Jenkins	.....	362/246
D518,779	S *	4/2006	Moore	.....	D13/136

\* cited by examiner

*Primary Examiner*—Daniel D Bui

*Assistant Examiner*—Thomas J Johannes

(74) *Attorney, Agent, or Firm*—Stuart M. Goldstein

(57) **CLAIM**

I claim the ornamental design for an electrical fixture, as shown and described.

**DESCRIPTION**

FIG. 1 is a front perspective view of the electrical fixture of the present invention.

FIG. 2 is a front elevation view of the electrical fixture of the present invention.

FIG. 3 is a rear elevation view of the electrical fixture of the present invention.

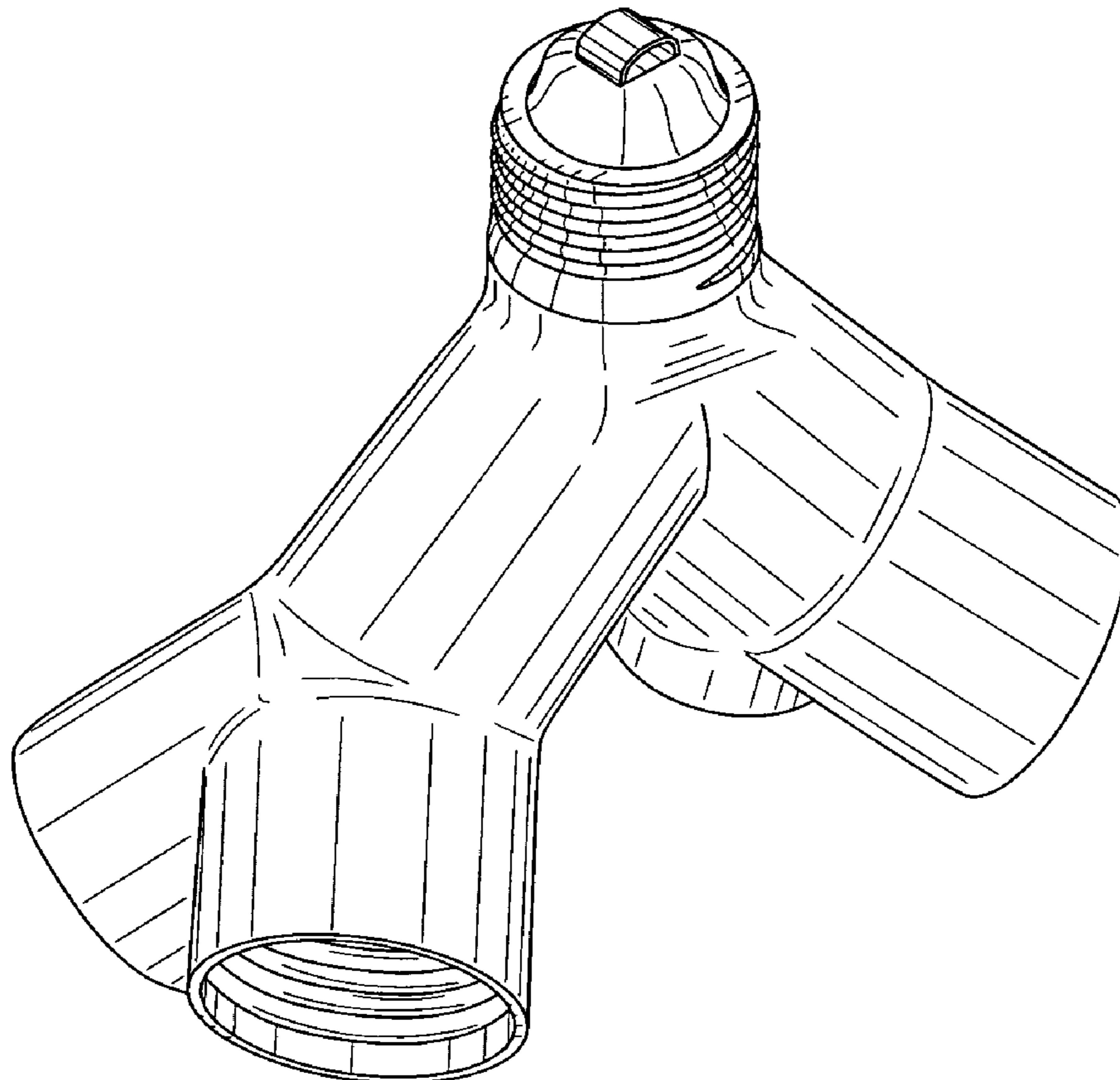
FIG. 4 is a top view of the electrical fixture of the present invention.

FIG. 5 is a bottom view of the electrical fixture of the present invention.

FIG. 6 is an end view of the electrical fixture of the present invention; and,

FIG. 7 is the opposite end view of the electrical fixture of the present invention.

**1 Claim, 4 Drawing Sheets**



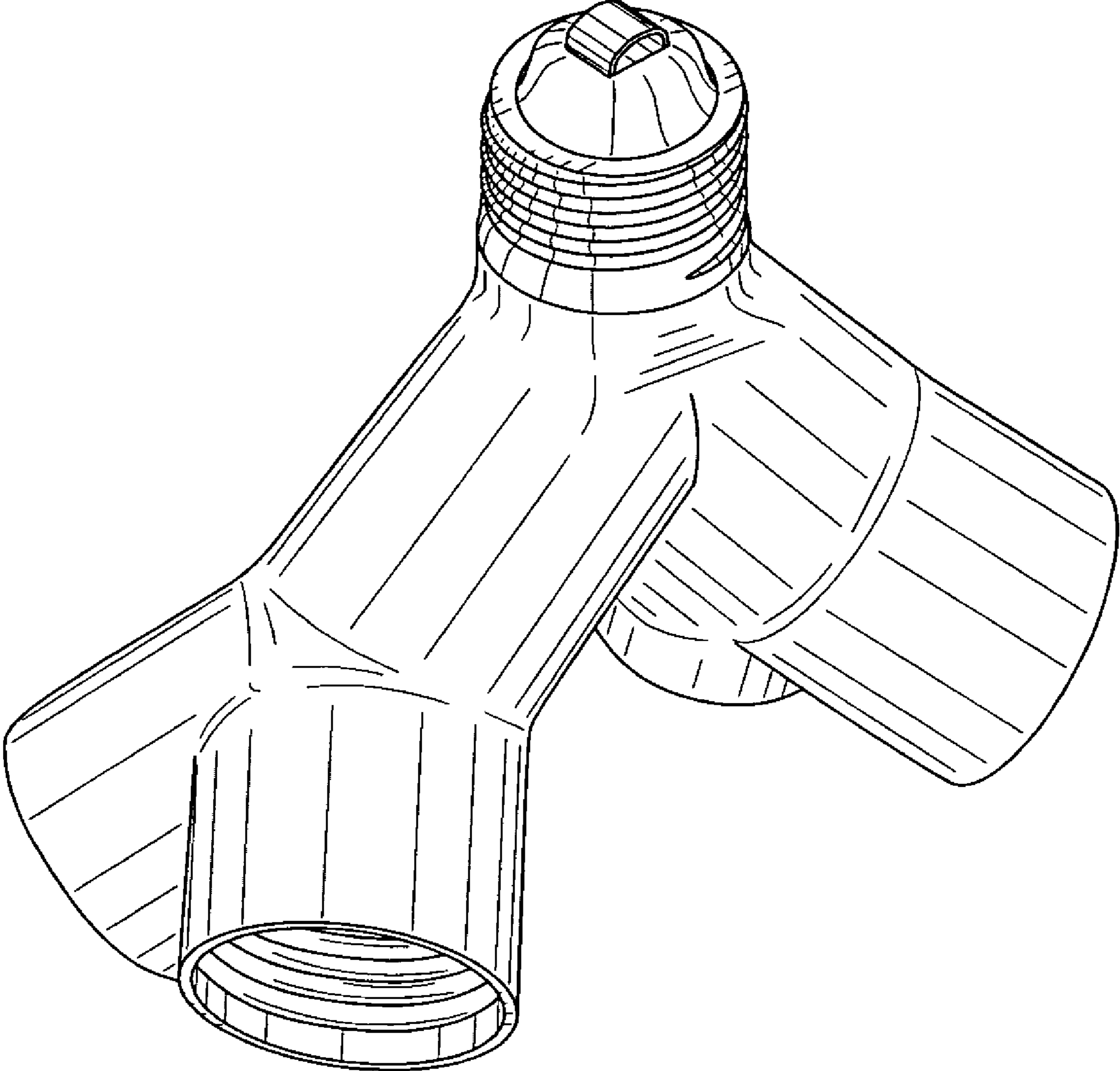


FIG. 1

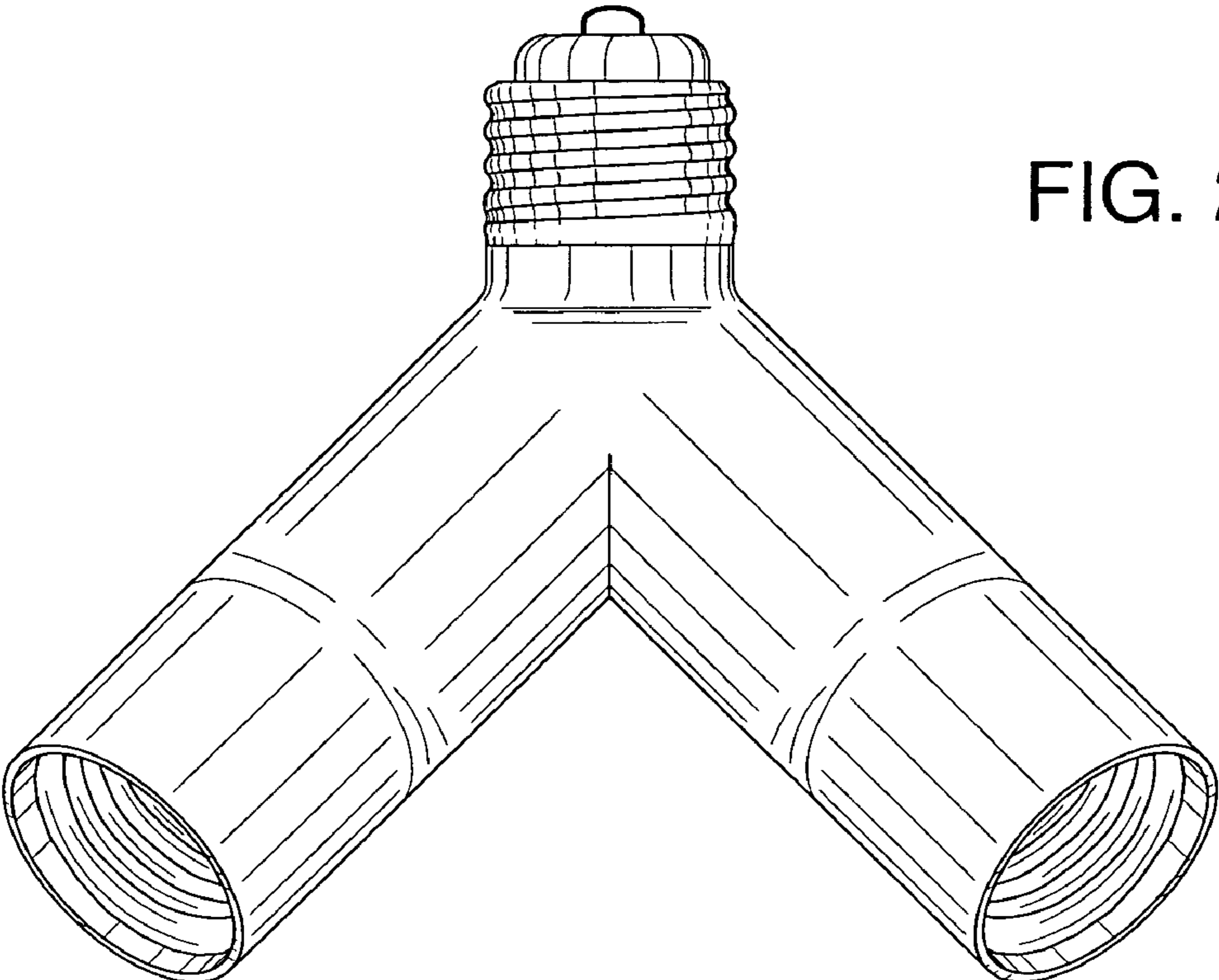


FIG. 2

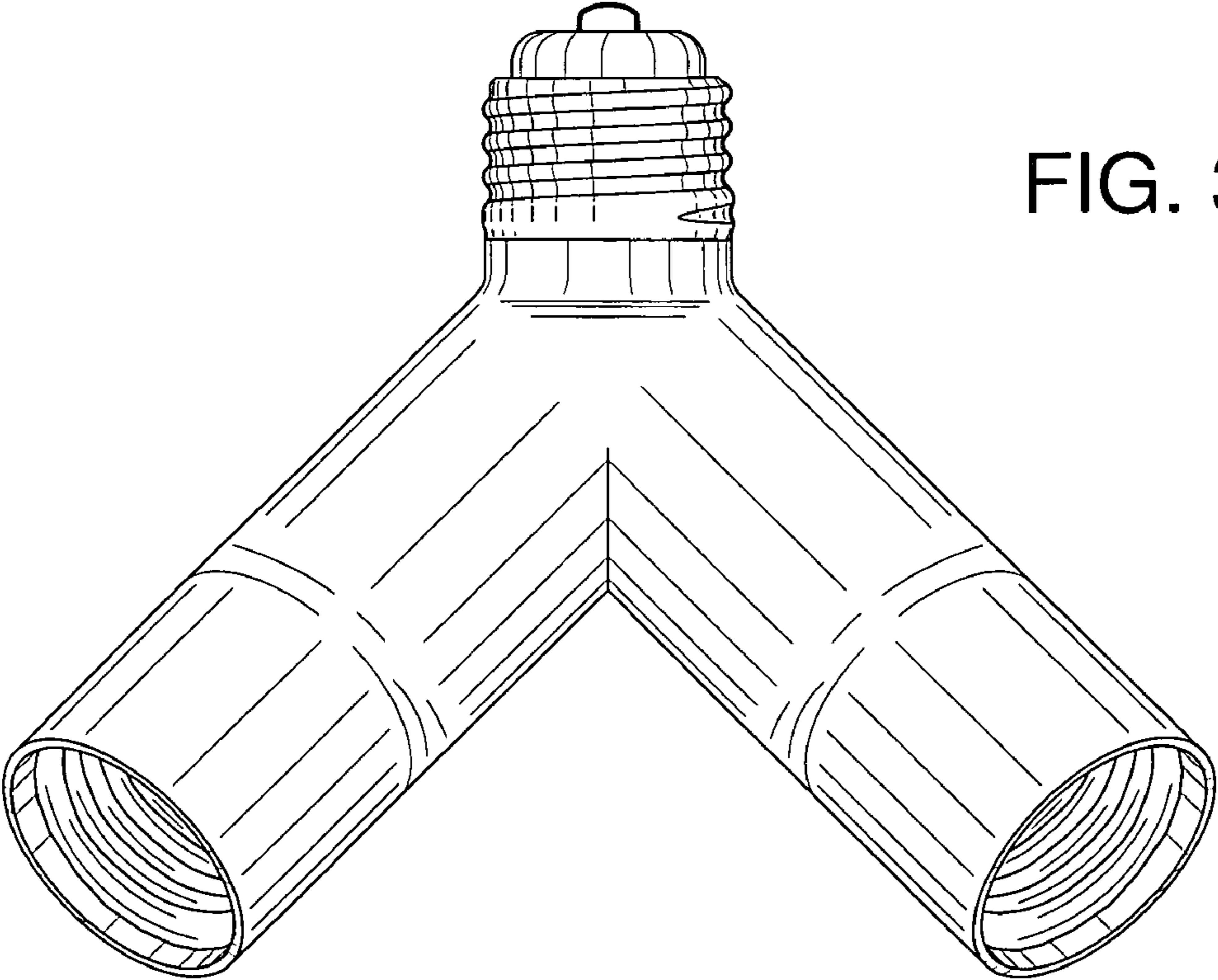


FIG. 3

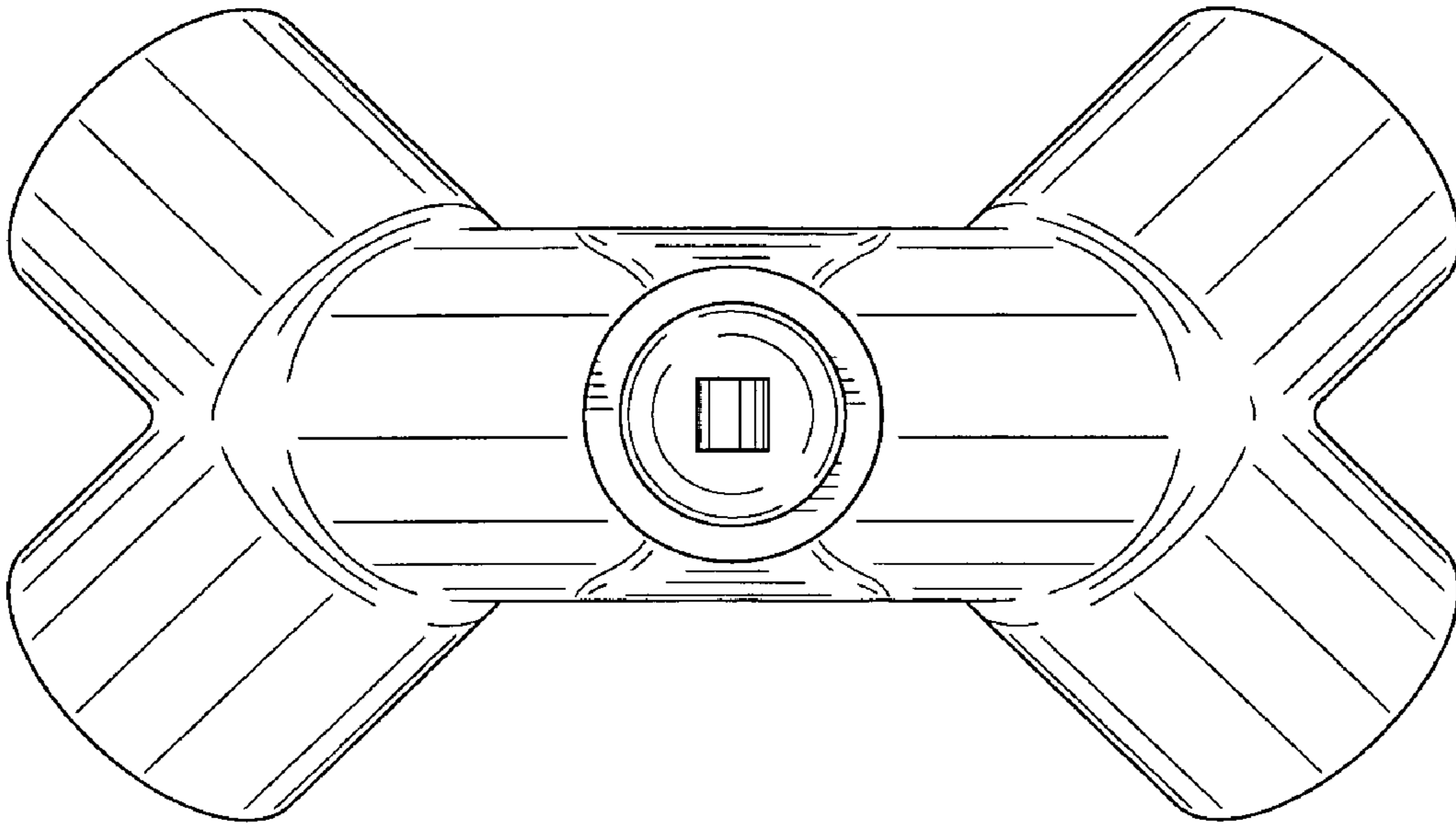


FIG. 4

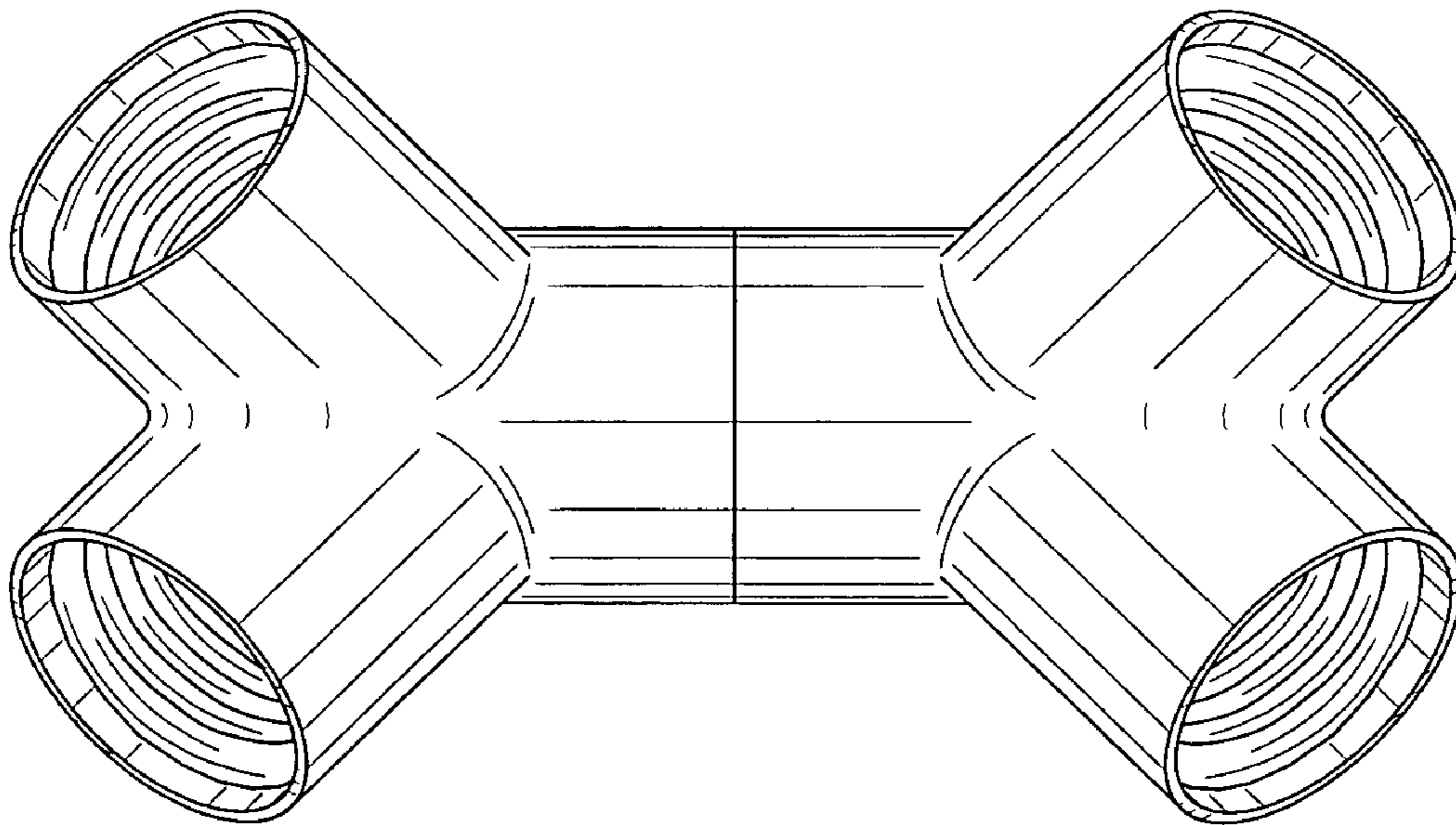


FIG. 5

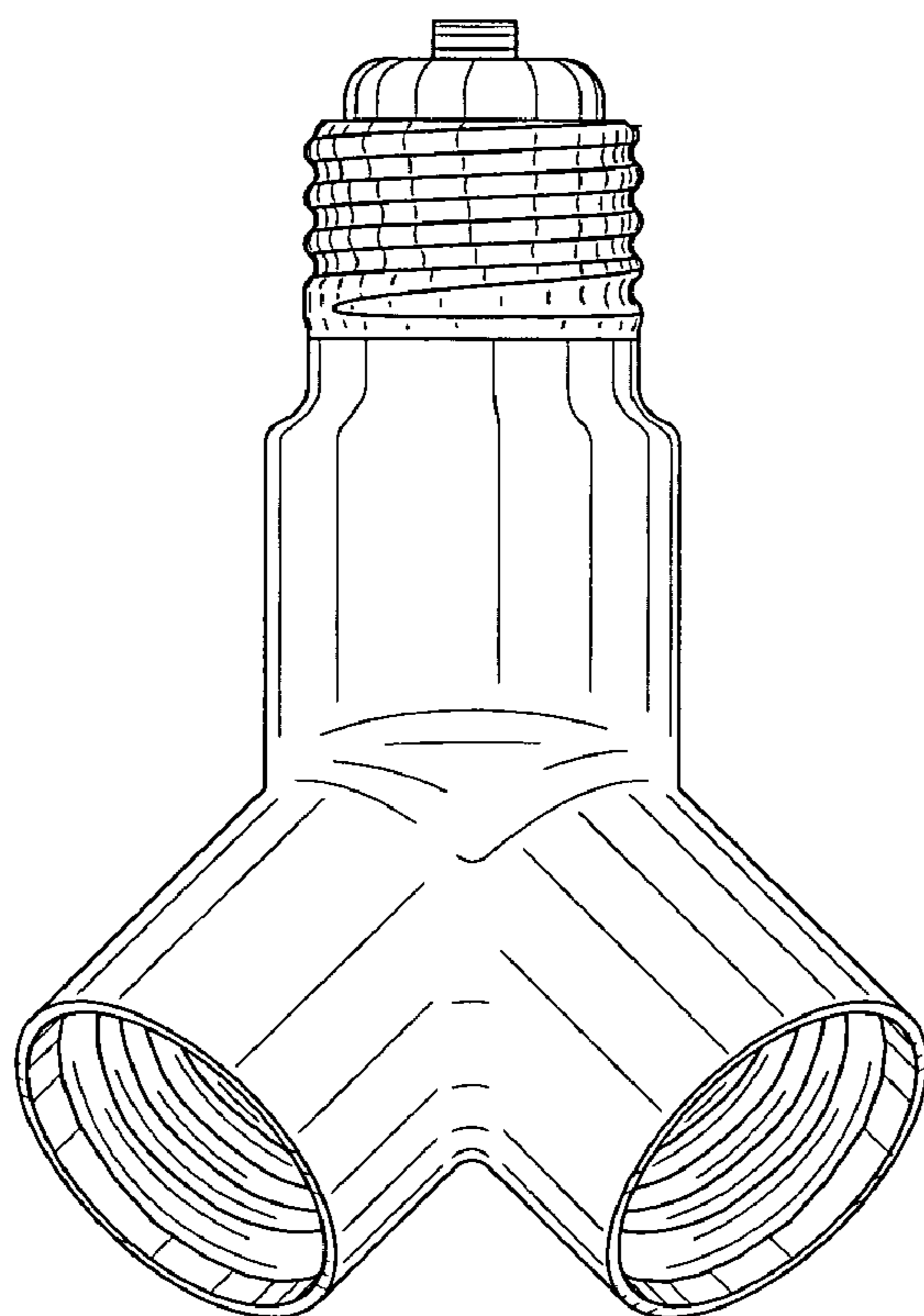


FIG. 6

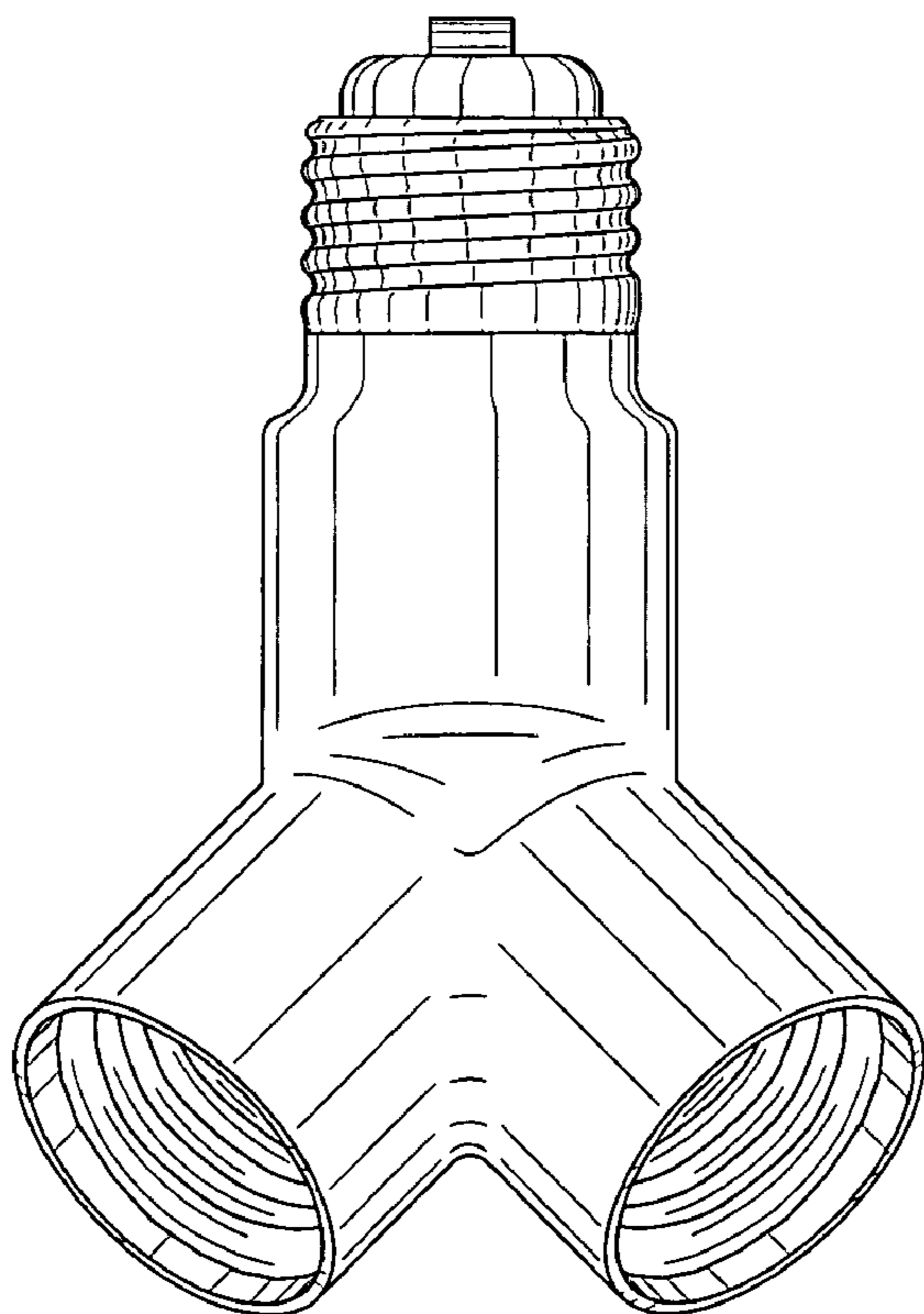


FIG. 7