



US00D613246S

(12) **United States Design Patent**
Muecke et al.

(10) **Patent No.:** **US D613,246 S**

(45) **Date of Patent:** **** Apr. 6, 2010**

(54) **CONNECTOR**

(75) Inventors: **Michaela Muecke**, Detmold (DE); **Ralf Schumacher**, Lemgo (DE); **Andreas Muhs**, Borgentreich (DE); **Simon Seereiner**, Bielefeld (DE); **Barbara Weithaas**, Blomberg (DE)

(73) Assignee: **Weidmueller Interface GmbH & Co. KG**, Detmold (DE)

(**) Term: **14 Years**

(21) Appl. No.: **29/311,021**

(22) Filed: **Dec. 9, 2008**

(30) **Foreign Application Priority Data**

Jun. 10, 2008 (EM) 000948898

(51) **LOC (9) Cl.** **13-03**

(52) **U.S. Cl.** **D13/133**

(58) **Field of Classification Search** D13/133,
D13/146, 147, 151, 154, 184, 199; 439/278,
439/607, 668, 669, 894

See application file for complete search history.

(56) **References Cited**

U.S. PATENT DOCUMENTS

D312,613 S * 12/1990 Shichida D13/133
D351,587 S * 10/1994 Puchhammer D13/133
D594,415 S * 6/2009 Shitakata D13/133

2006/0063409 A1 * 3/2006 Wang 439/188
2007/0072488 A1 * 3/2007 Xue et al. 439/544
2007/0105432 A1 * 5/2007 Muhs et al. 439/492
2009/0185777 A1 * 7/2009 Ziemke et al. 385/56

* cited by examiner

Primary Examiner—Daniel D Bui

Assistant Examiner—Thomas J Johannes

(74) *Attorney, Agent, or Firm*—Crowell & Moring LLP

(57) **CLAIM**

The ornamental design for connector, as shown and described.

DESCRIPTION

FIG. 1 is a front, left perspective view of connector according to our novel design, the front, right perspective view being mirror symmetrical;

FIG. 2 is a rear, left perspective view thereof; the rear, right perspective view being mirror symmetrical;

FIG. 3 is a right side view thereof, the left side view being mirror symmetrical;

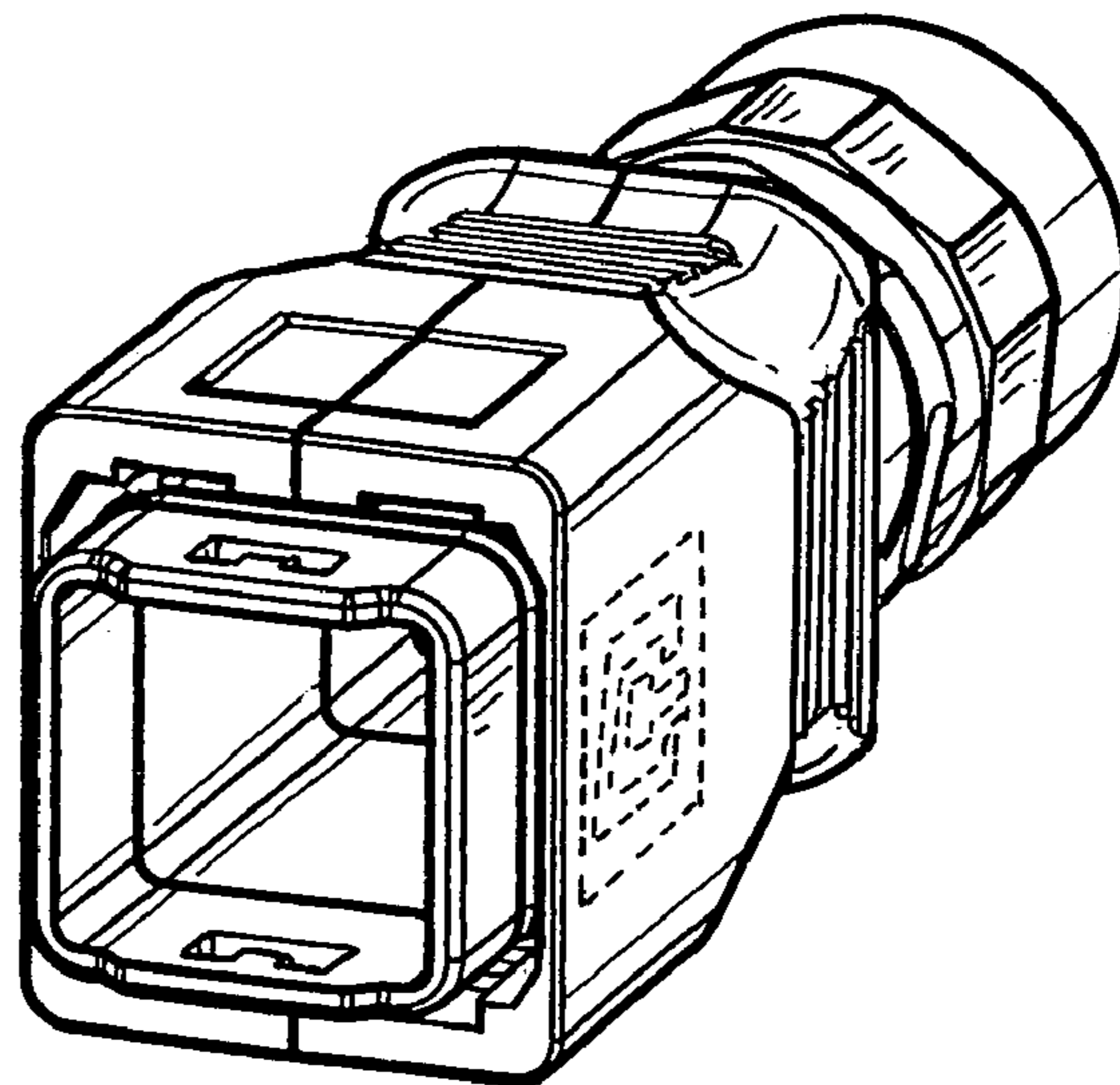
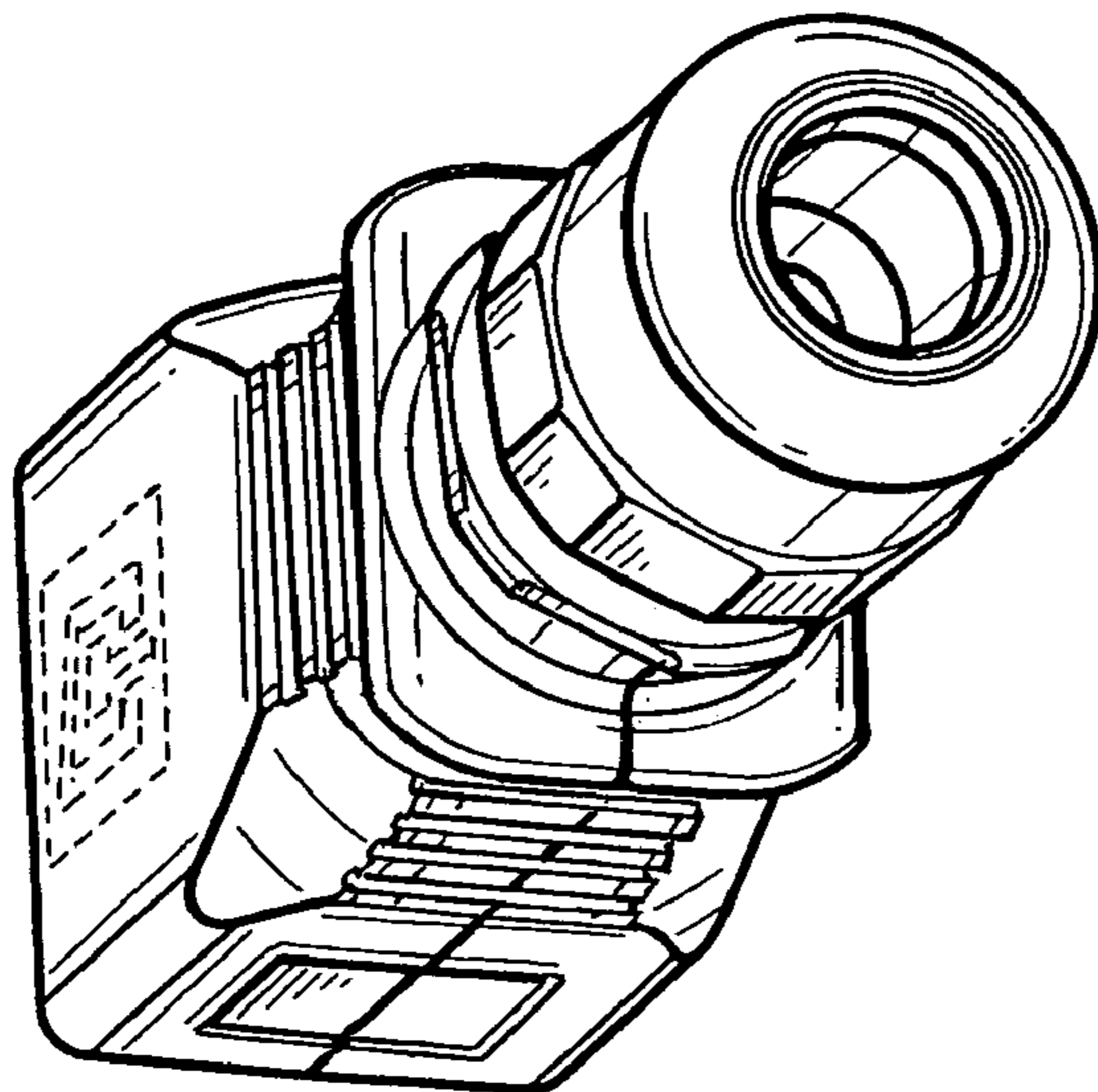
FIG. 4 is a top view thereof, the bottom view being mirror symmetrical;

FIG. 5 is a front view thereof; and,

FIG. 6 is a rear view thereof.

The broken lines show unclaimed detail only and form no part of the claimed design.

1 Claim, 3 Drawing Sheets



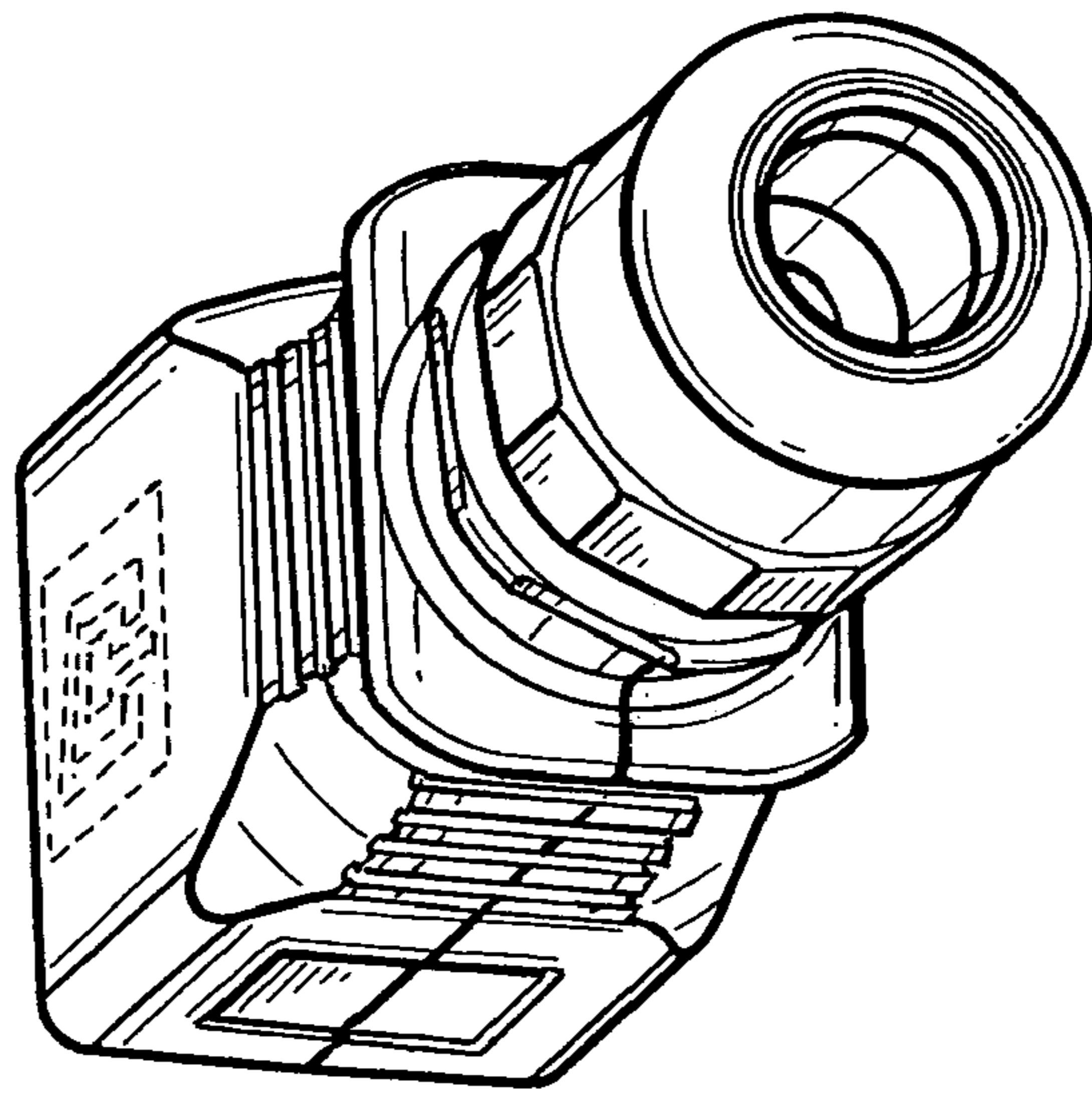


FIG. 1

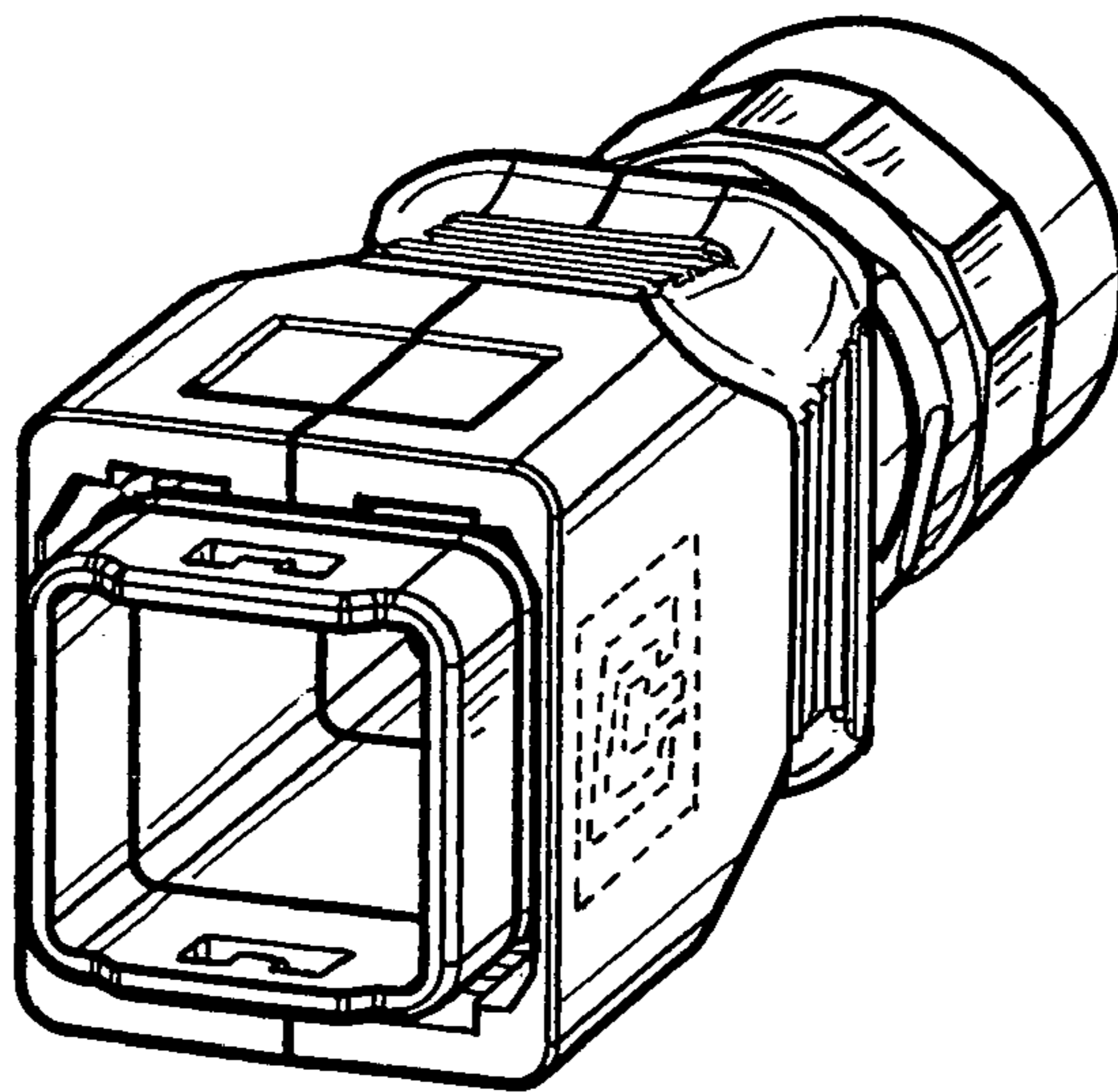


FIG. 2

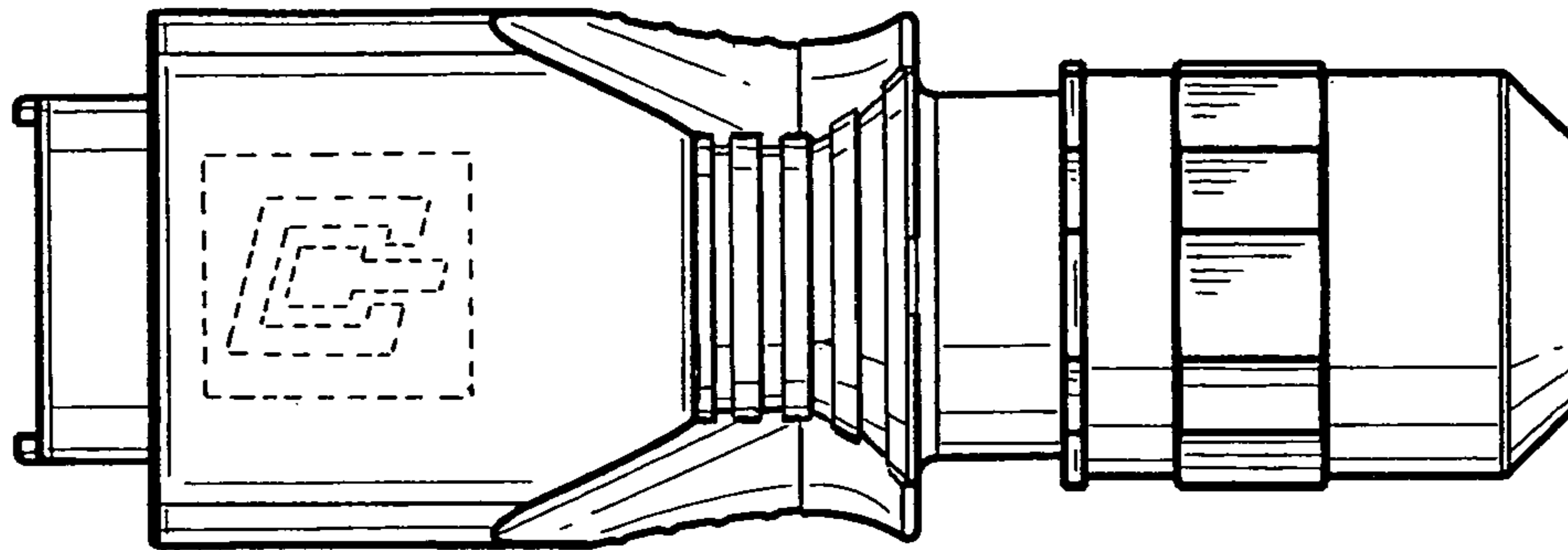


FIG. 3

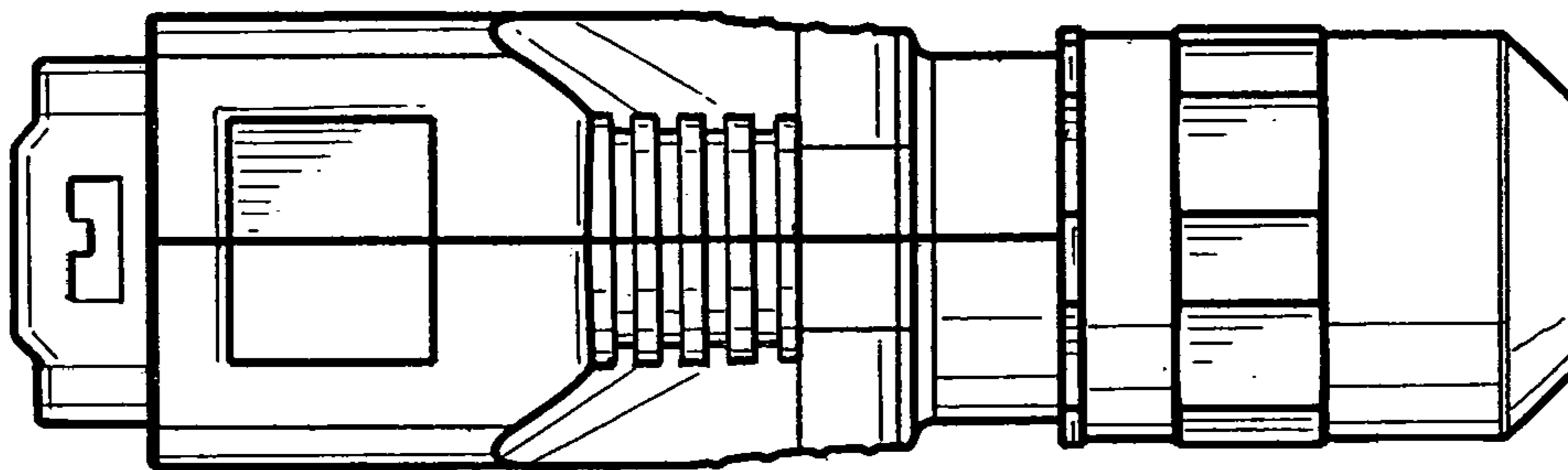


FIG. 4

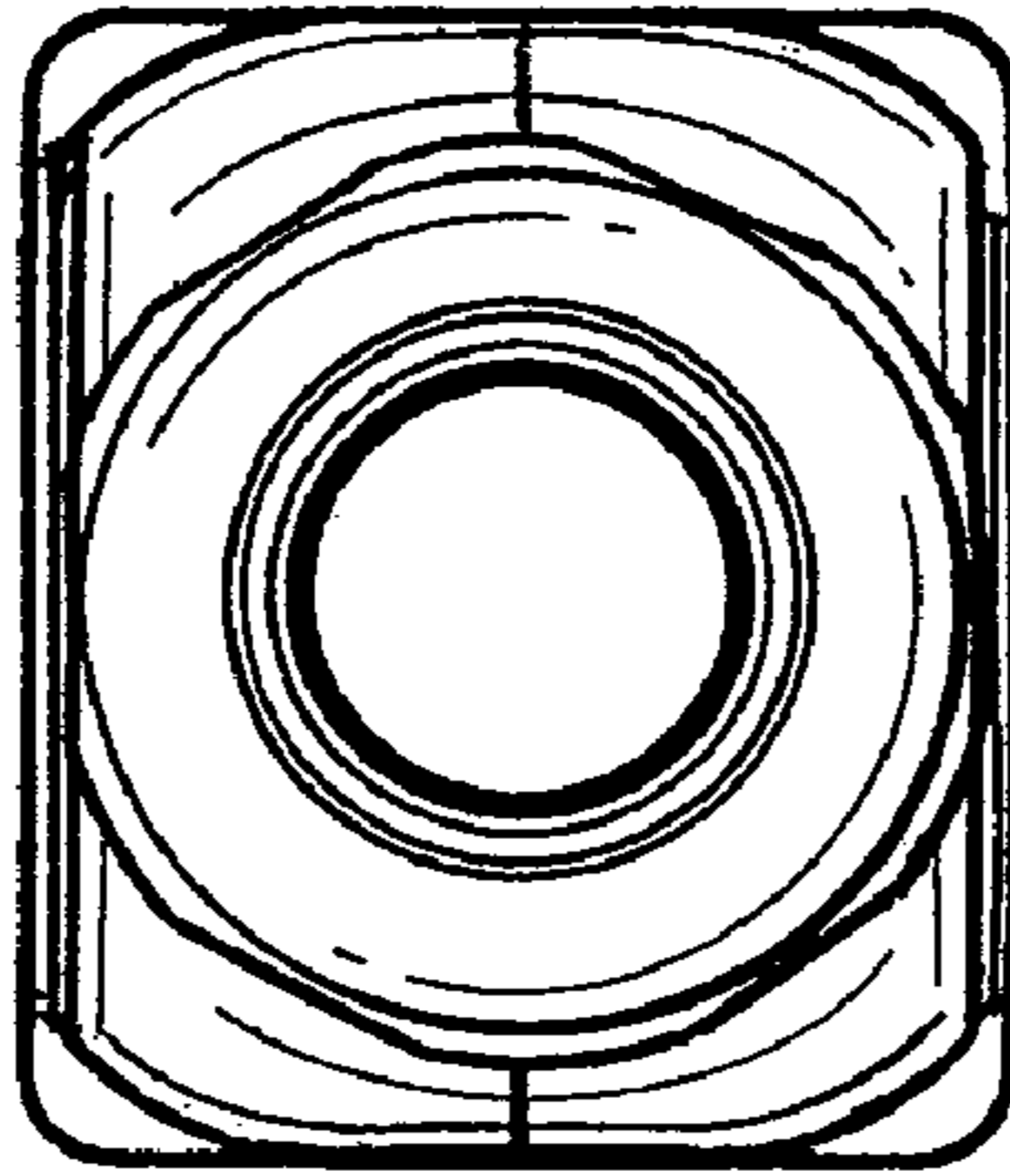


FIG. 5

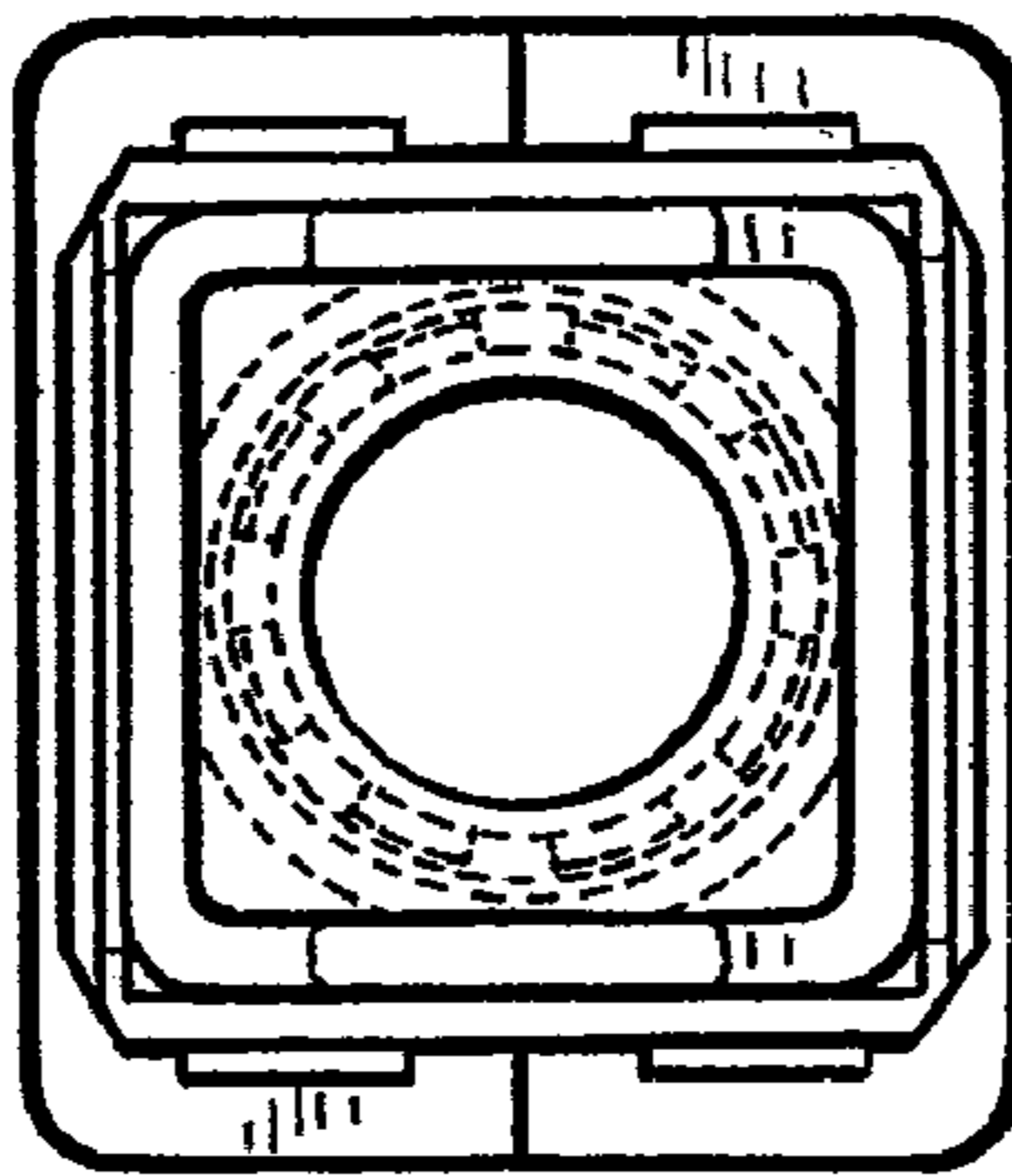


FIG. 6