



US00D613245S

(12) **United States Design Patent**  
**Honna**

(10) **Patent No.:** **US D613,245 S**

(45) **Date of Patent:** **\*\* Apr. 6, 2010**

(54) **CORE FOR A HIGH-FREQUENCY  
THREE-PHASE TRANSFORMER**

*Primary Examiner*—Prabhakar Deshmukh

*Assistant Examiner*—Derrick Holland

(74) *Attorney, Agent, or Firm*—Oliff & Berridge, PLC

(75) **Inventor:** **Tsunehiko Honna**, Zama (JP)

(73) **Assignee:** **Seiden Mfg. Co., Ltd.**, Atsugi (JP)

(57) **CLAIM**

(\*\*) **Term:** **14 Years**

The ornamental design for a core for a high-frequency three-phase transformer, as shown and described.

(21) **Appl. No.:** **29/337,790**

(22) **Filed:** **May 29, 2009**

**DESCRIPTION**

(51) **LOC (9) Cl.** ..... **13-02**

(52) **U.S. Cl.** ..... **D13/118**

(58) **Field of Classification Search** ..... D13/118,  
D13/101, 110, 120, 183, 189; 219/116, 624;  
323/247, 250, 253; 334/59, 63, 70, 76; 336/83,  
336/136, 182, 185, 208, 210, 212, 214, 218,  
336/230, 232

See application file for complete search history.

FIG. 1 is a perspective view of a core for a high-frequency three-phase transformer according to a first embodiment;

FIG. 2 is a top view thereof, the bottom view being a mirror image;

FIG. 3 is a front view thereof;

FIG. 4 is a side view thereof, the opposite side view being a mirror image;

FIG. 5 is a rear view thereof;

FIG. 6 is a cross-sectional view thereof taken along the line 6—6 of FIG. 5;

FIG. 7 is an exploded view thereof;

FIG. 8 is a perspective view of the core for a high-frequency three-phase transformer according to a second embodiment;

FIG. 9 is a top view thereof, the bottom view being a mirror image;

FIG. 10 is a front view thereof;

FIG. 11 is a side view thereof, the opposite side view being a mirror image;

FIG. 12 is a rear view thereof; and,

FIG. 13 is an exploded view thereof.

(56) **References Cited**

**U.S. PATENT DOCUMENTS**

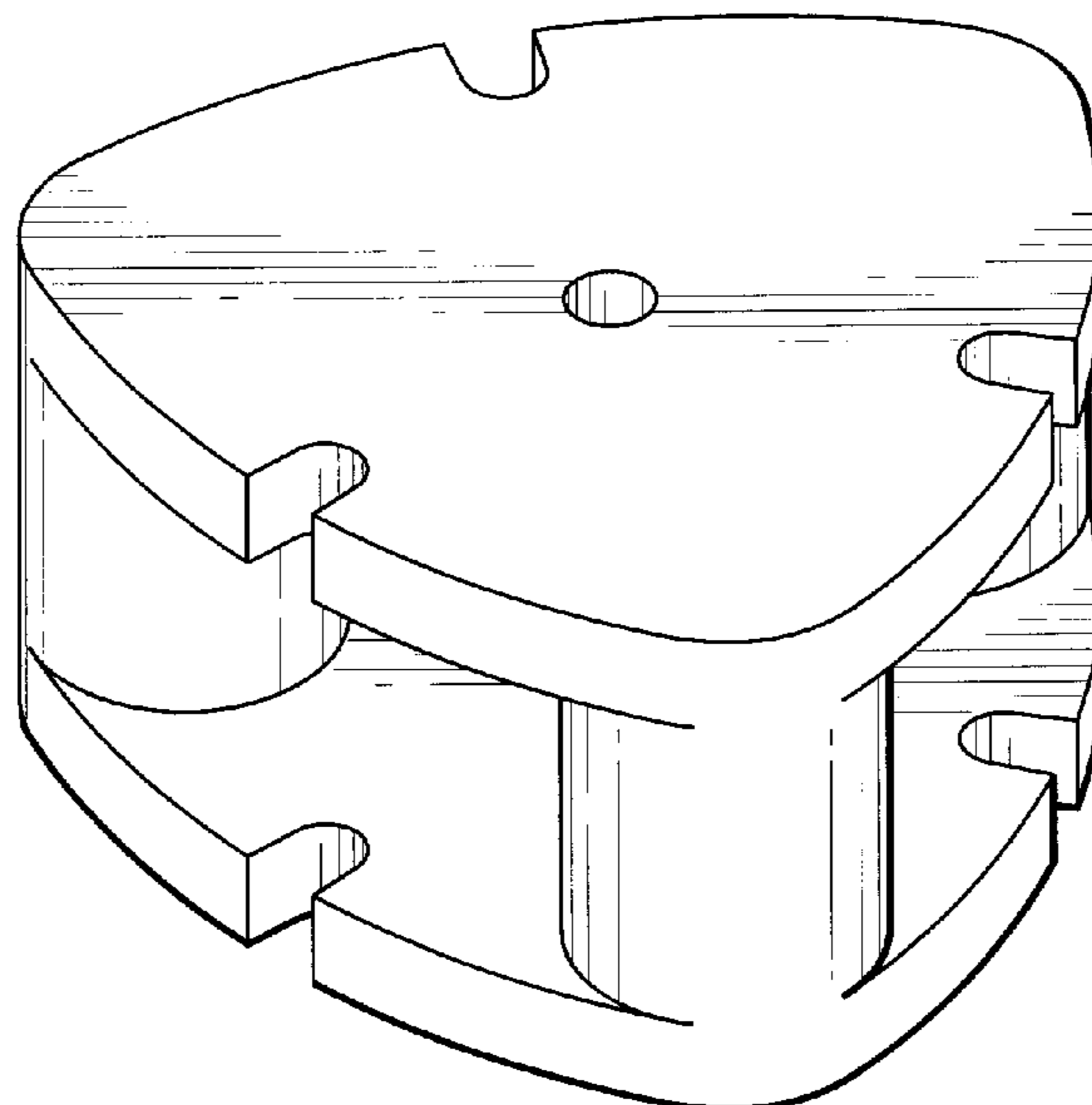
3,898,601	A *	8/1975	Meindl	.....	336/136
4,352,080	A *	9/1982	Mitsui et al.	.....	336/83
4,424,504	A *	1/1984	Mitsui et al.	.....	336/83
D280,810	S *	10/1985	Mitsui	.....	D13/118
D288,314	S *	2/1987	Makinson et al.	.....	D13/110
D330,541	S *	10/1992	Burrow et al.	.....	D13/183
D384,333	S *	9/1997	Suzuki	.....	D13/183
D443,585	S *	6/2001	Shida et al.	.....	D13/122
D454,839	S *	3/2002	Hoglund	.....	D13/118
D463,365	S *	9/2002	Sakai et al.	.....	D13/118
6,696,913	B2 *	2/2004	Meuche et al.	.....	336/208
D522,455	S *	6/2006	Nishimura	.....	D13/122

**FOREIGN PATENT DOCUMENTS**

JP A-2000-150269 5/2000

\* cited by examiner

**1 Claim, 12 Drawing Sheets**



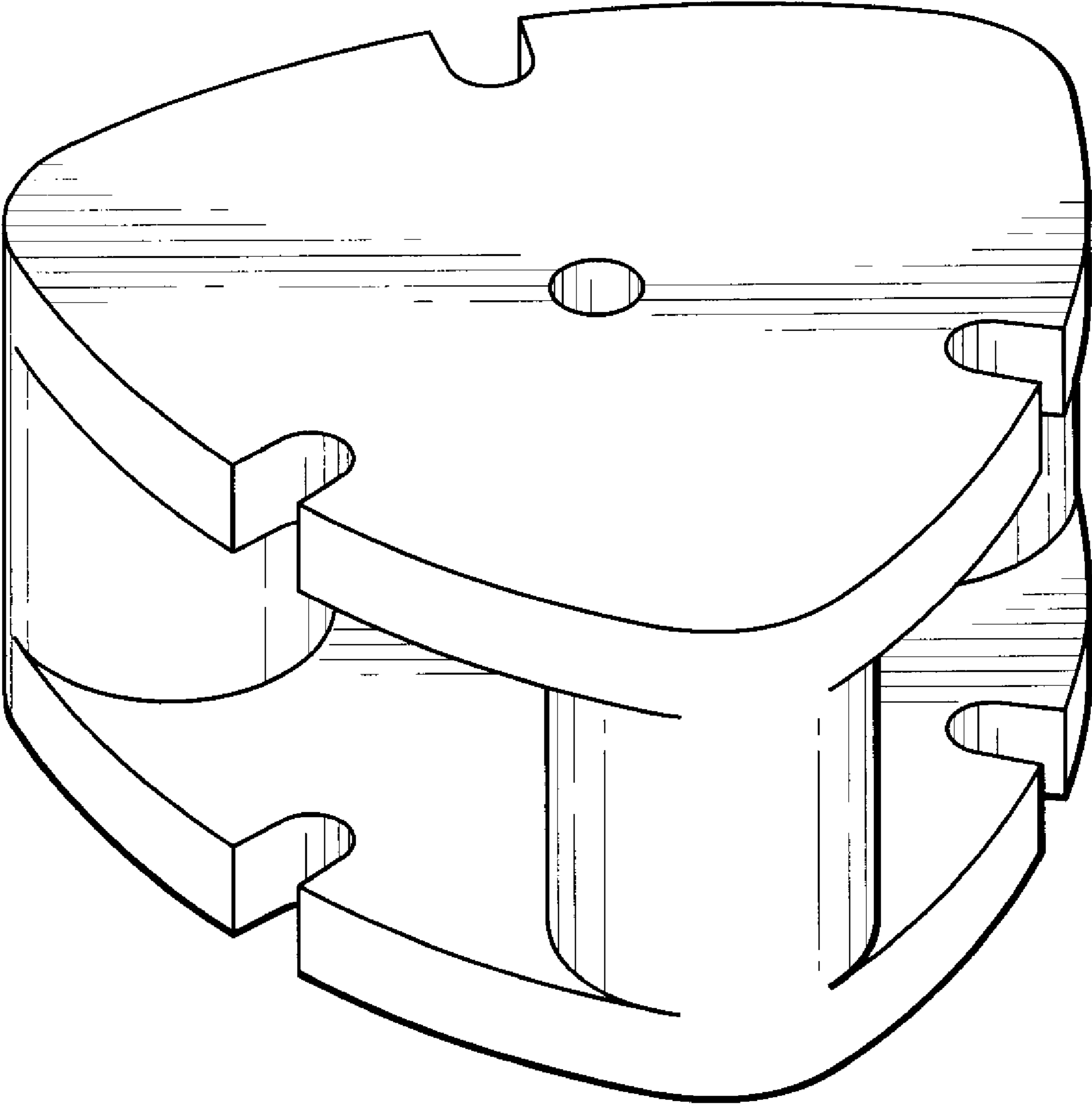


FIG. 1

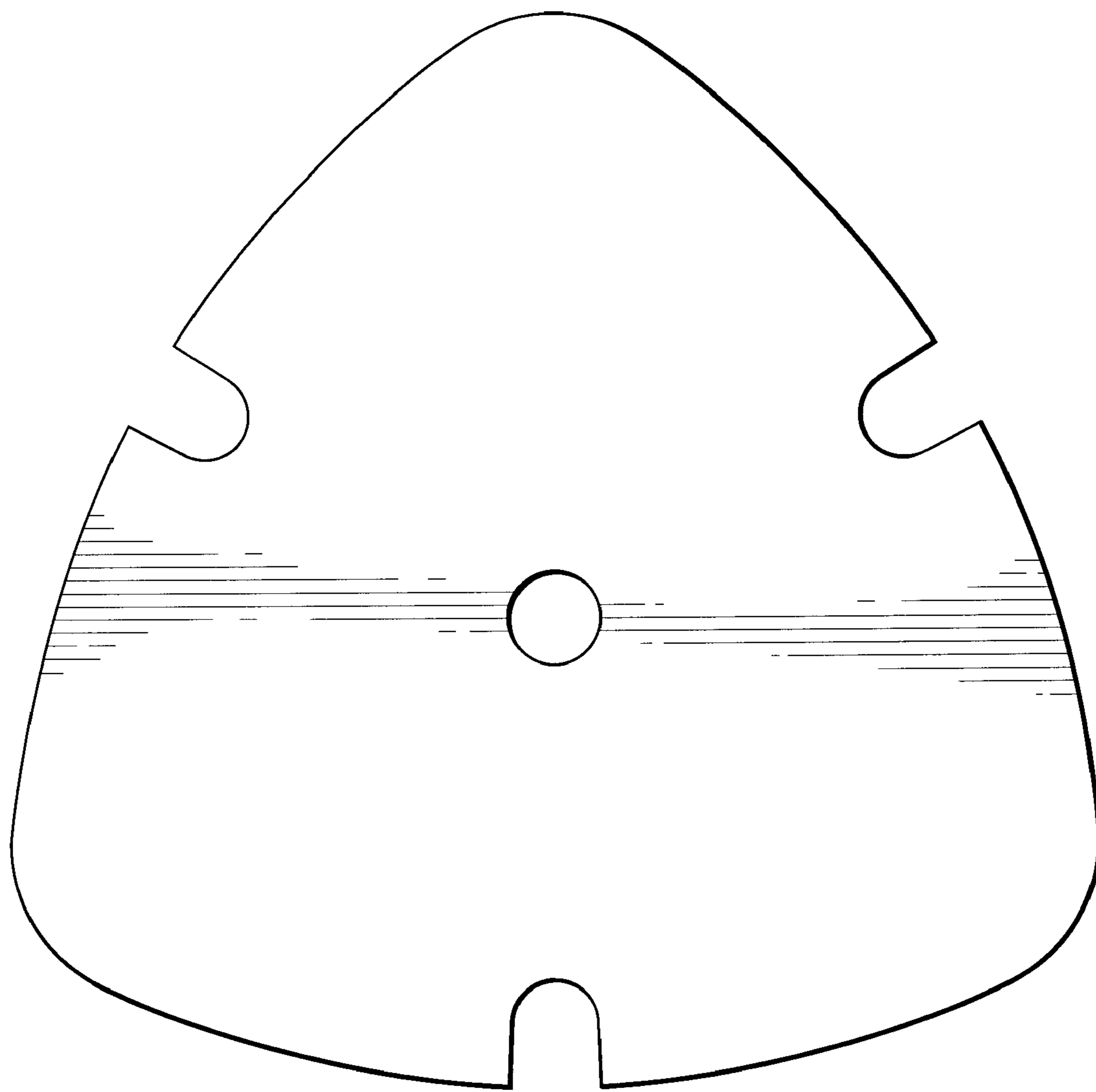


FIG. 2

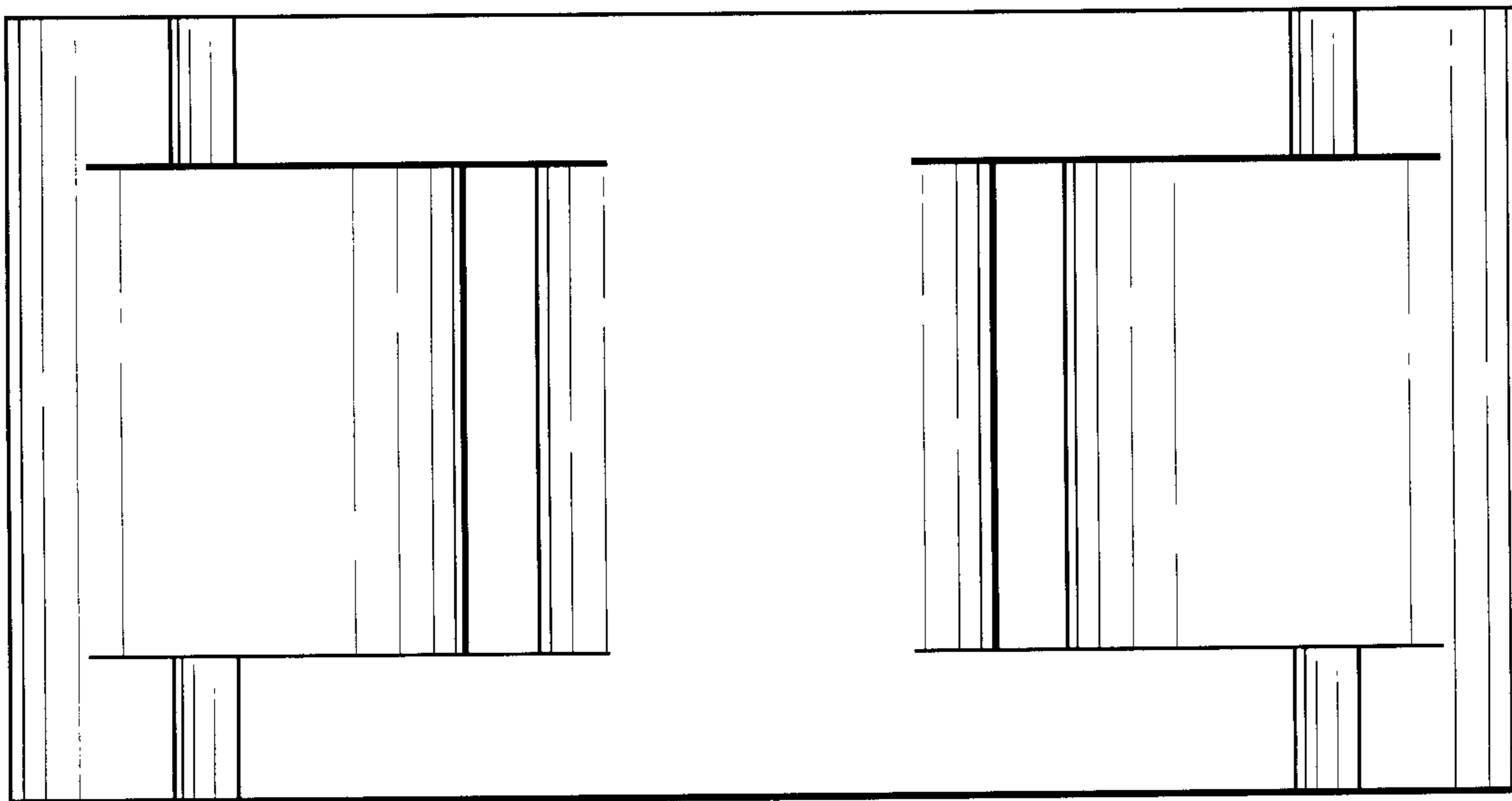


FIG. 3

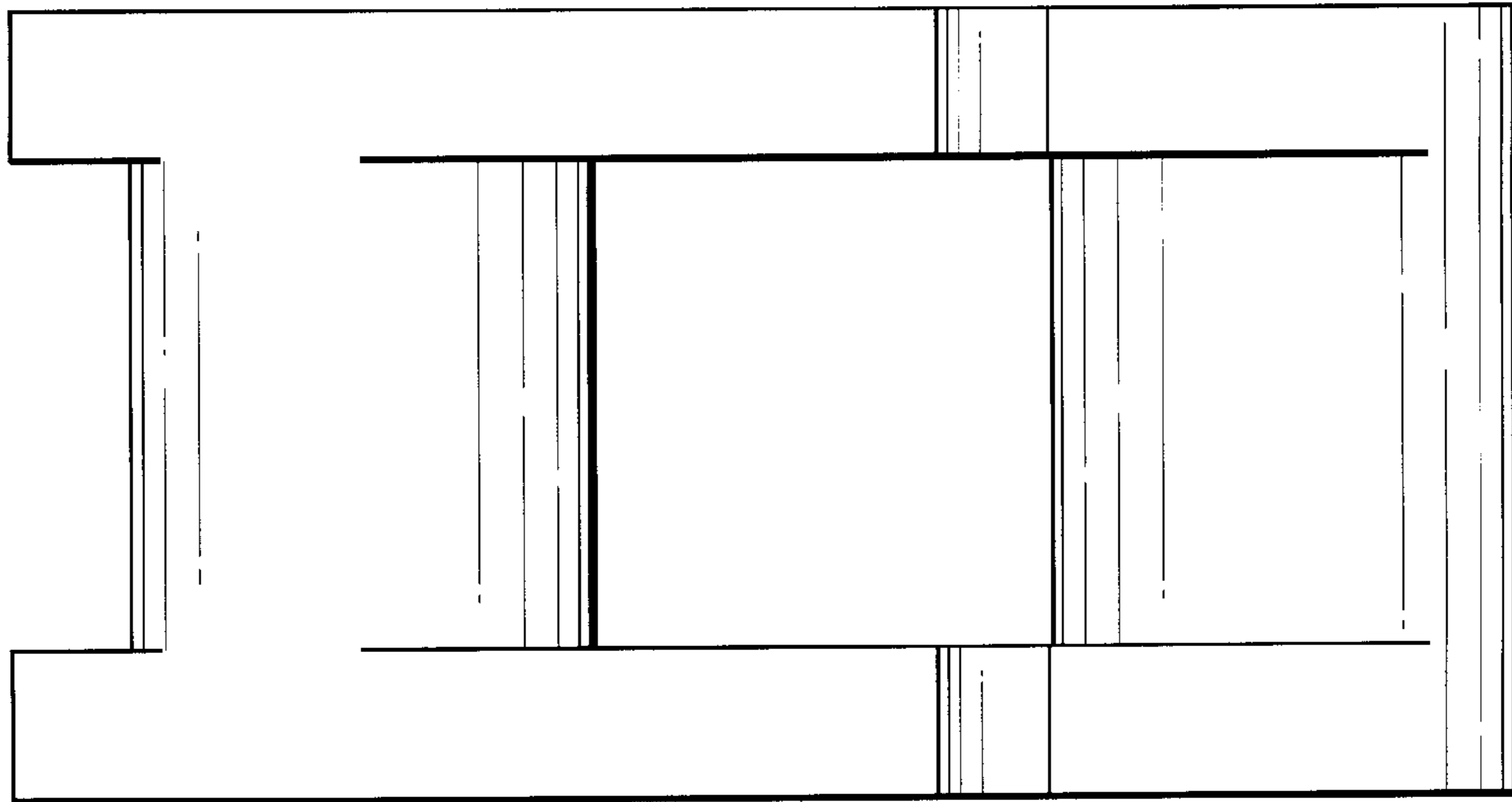


FIG. 4

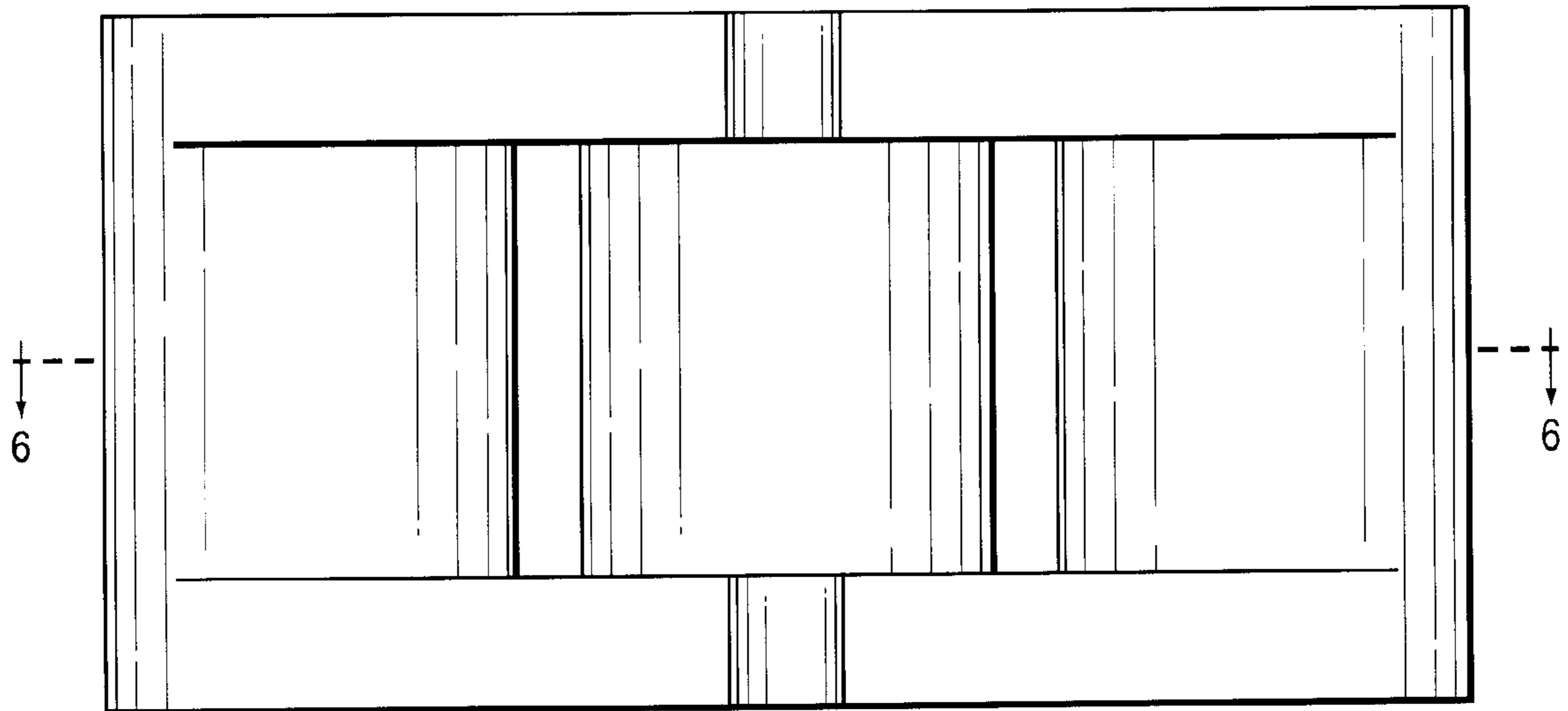


FIG. 5

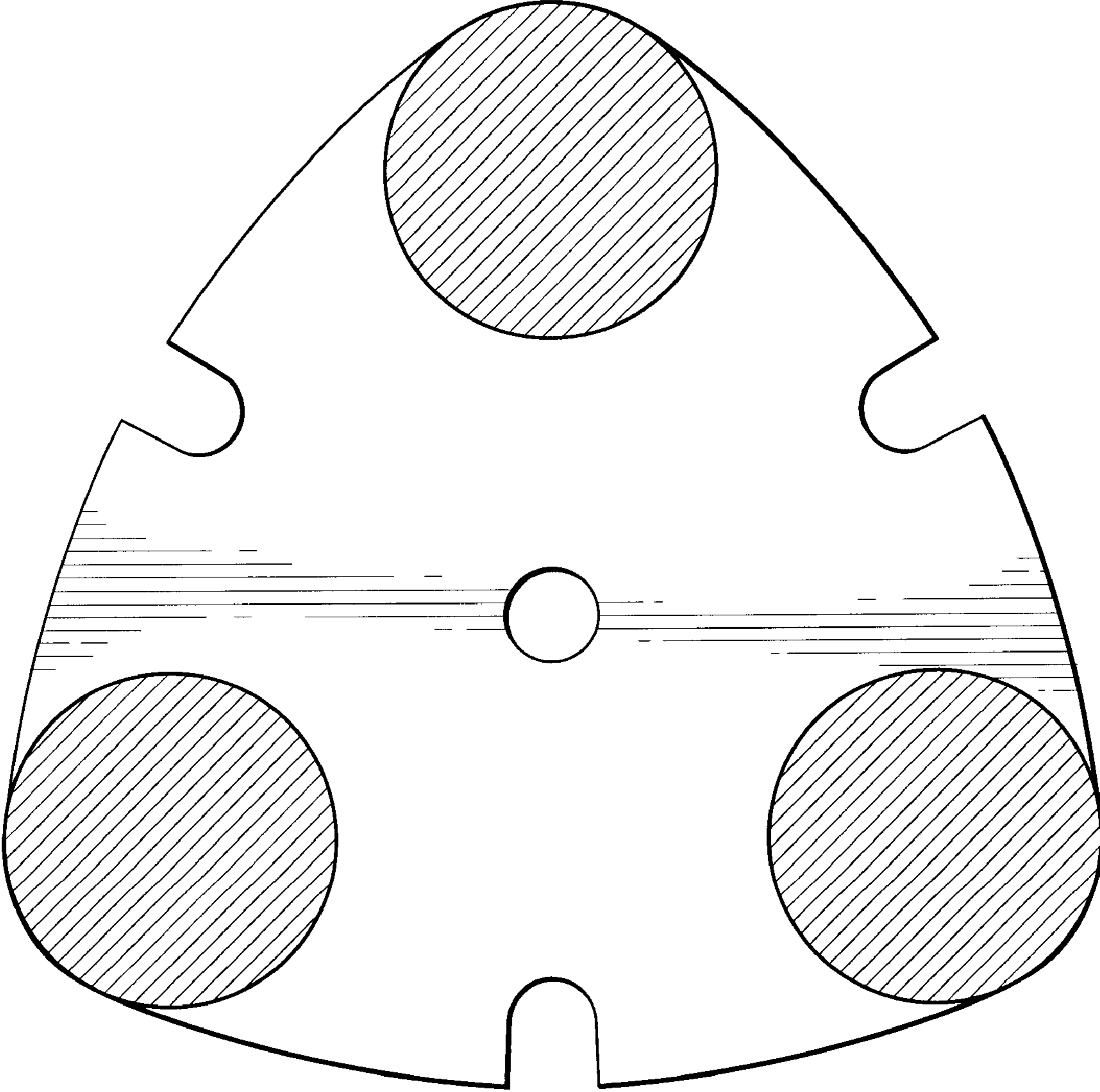


FIG. 6

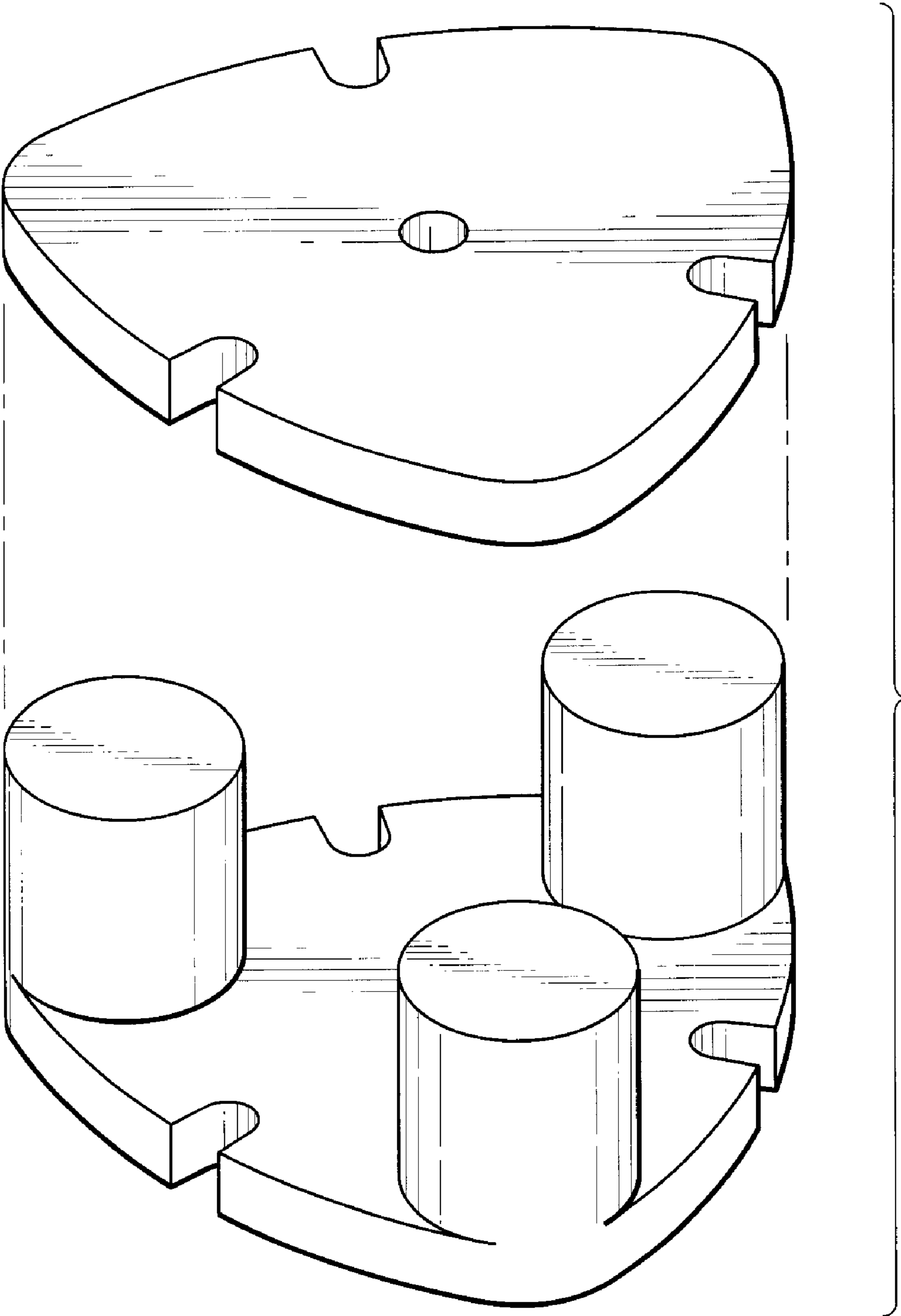


FIG. 7



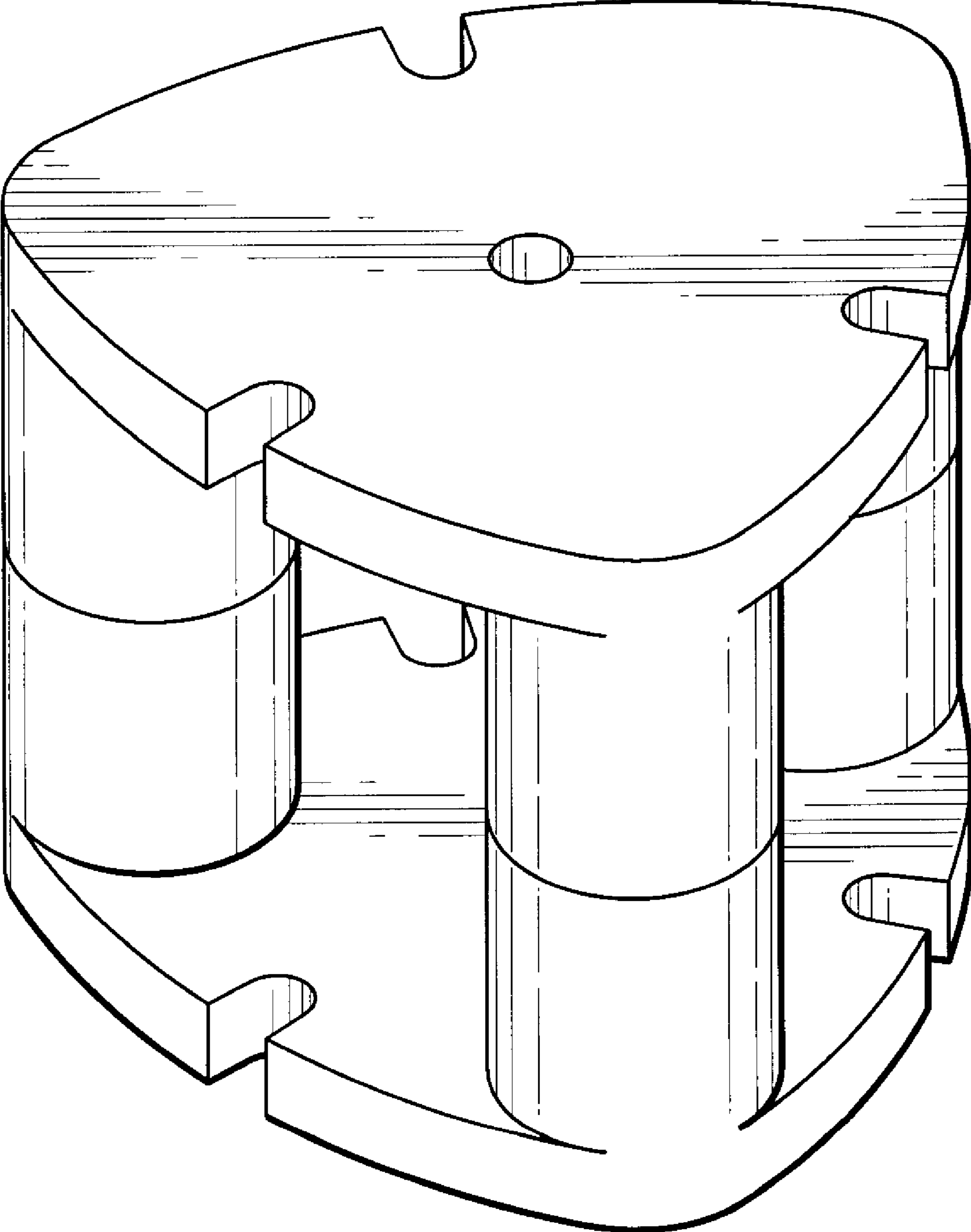


FIG. 8



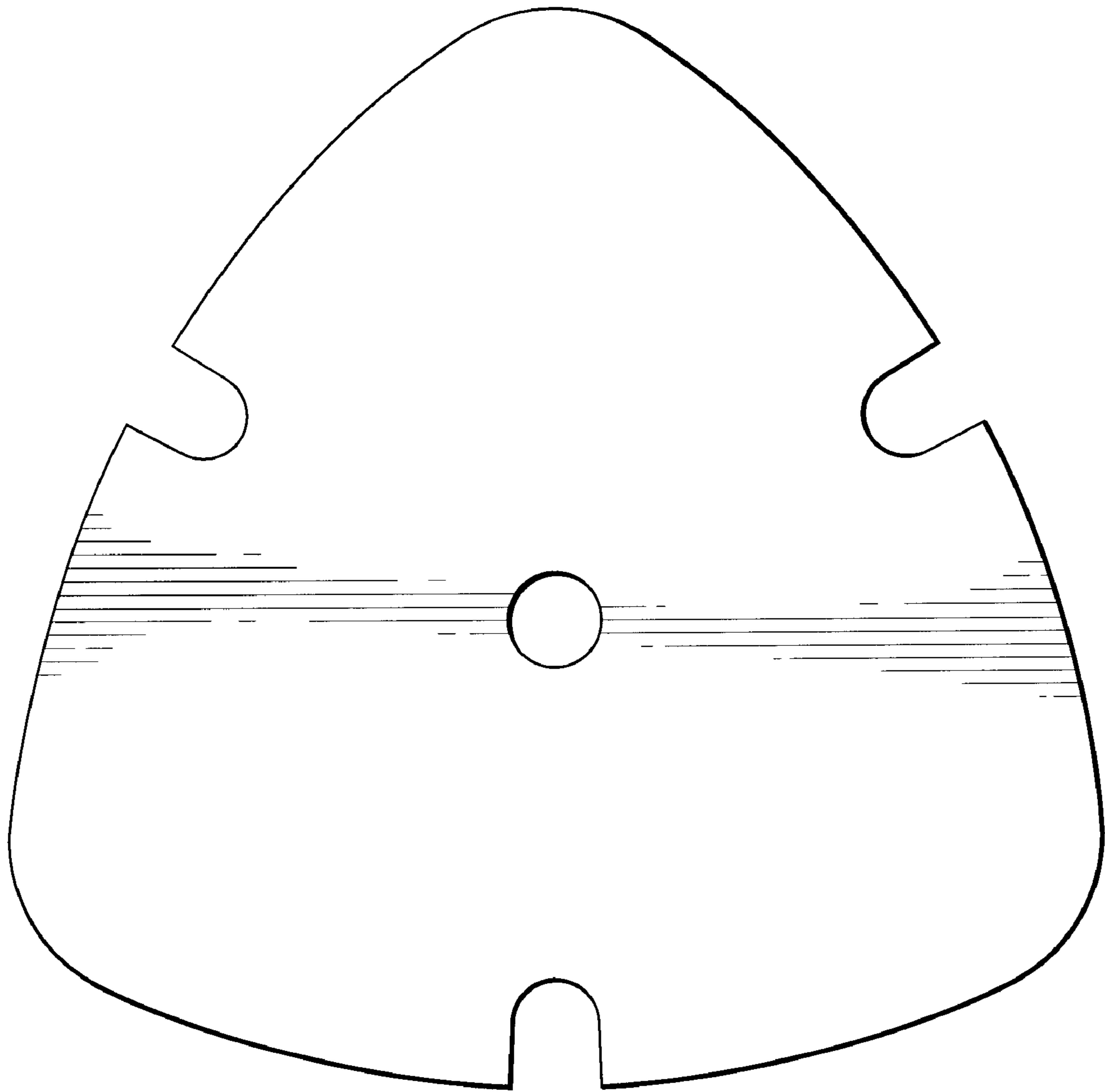


FIG. 9

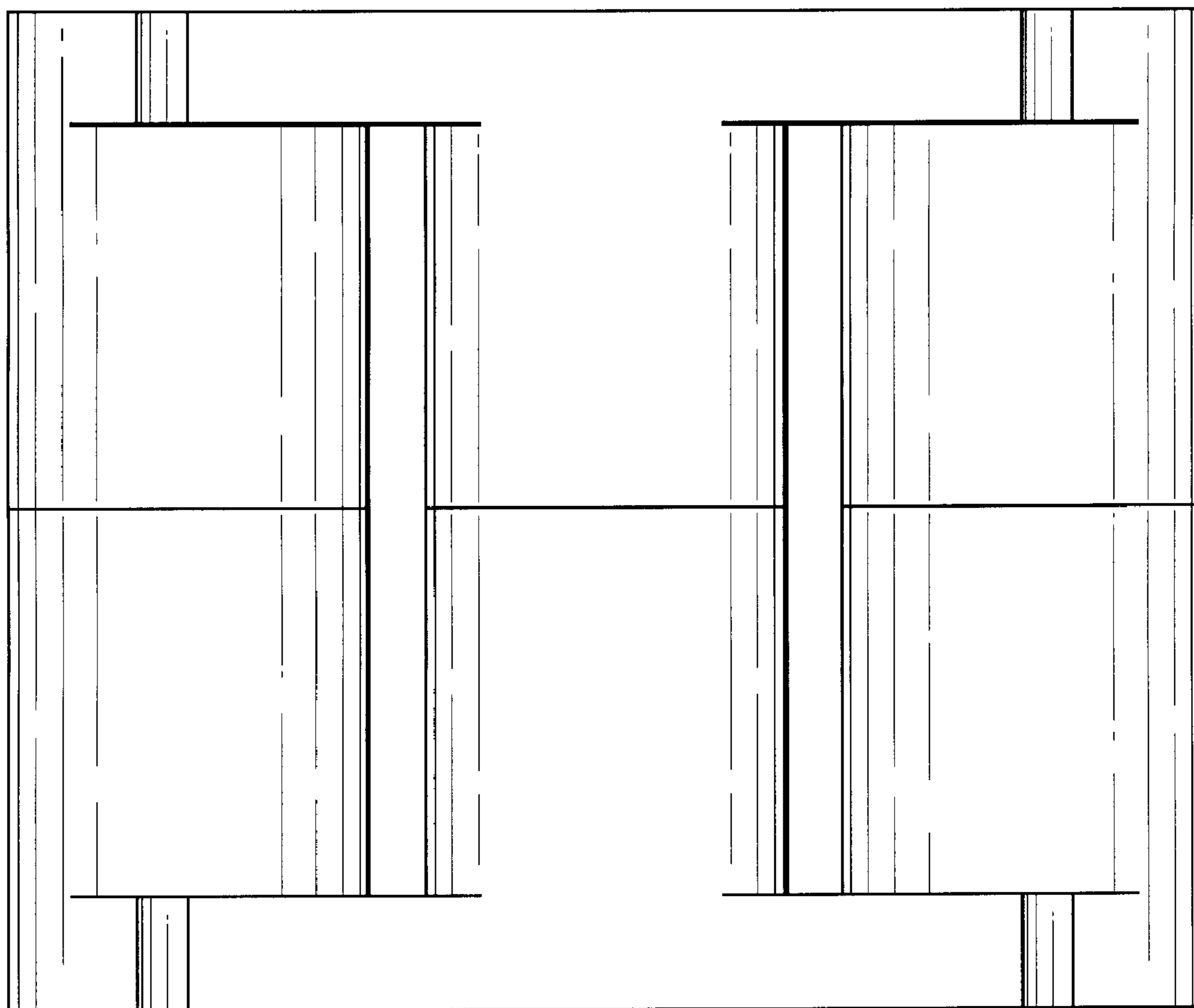


FIG. 10

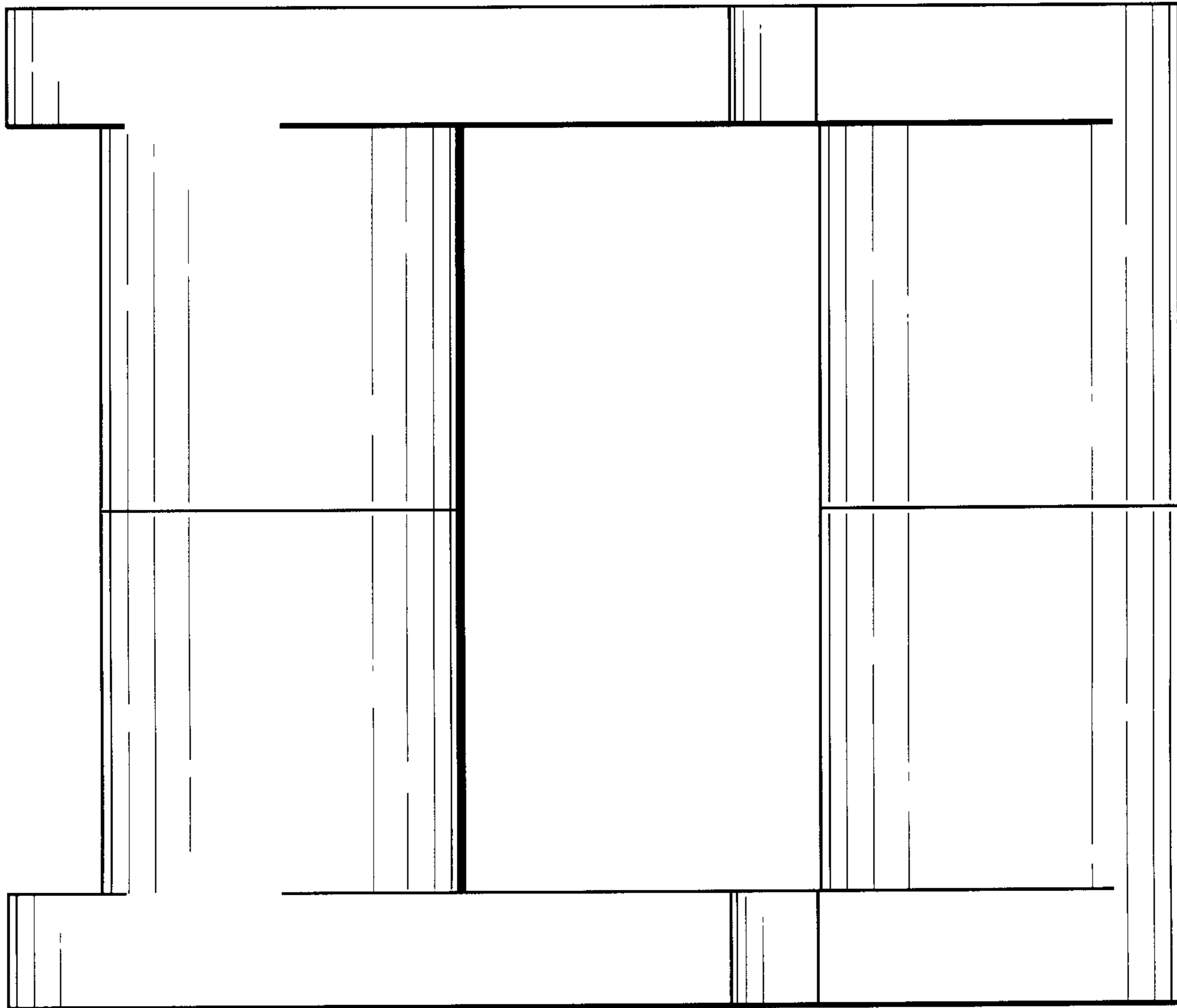


FIG. 11

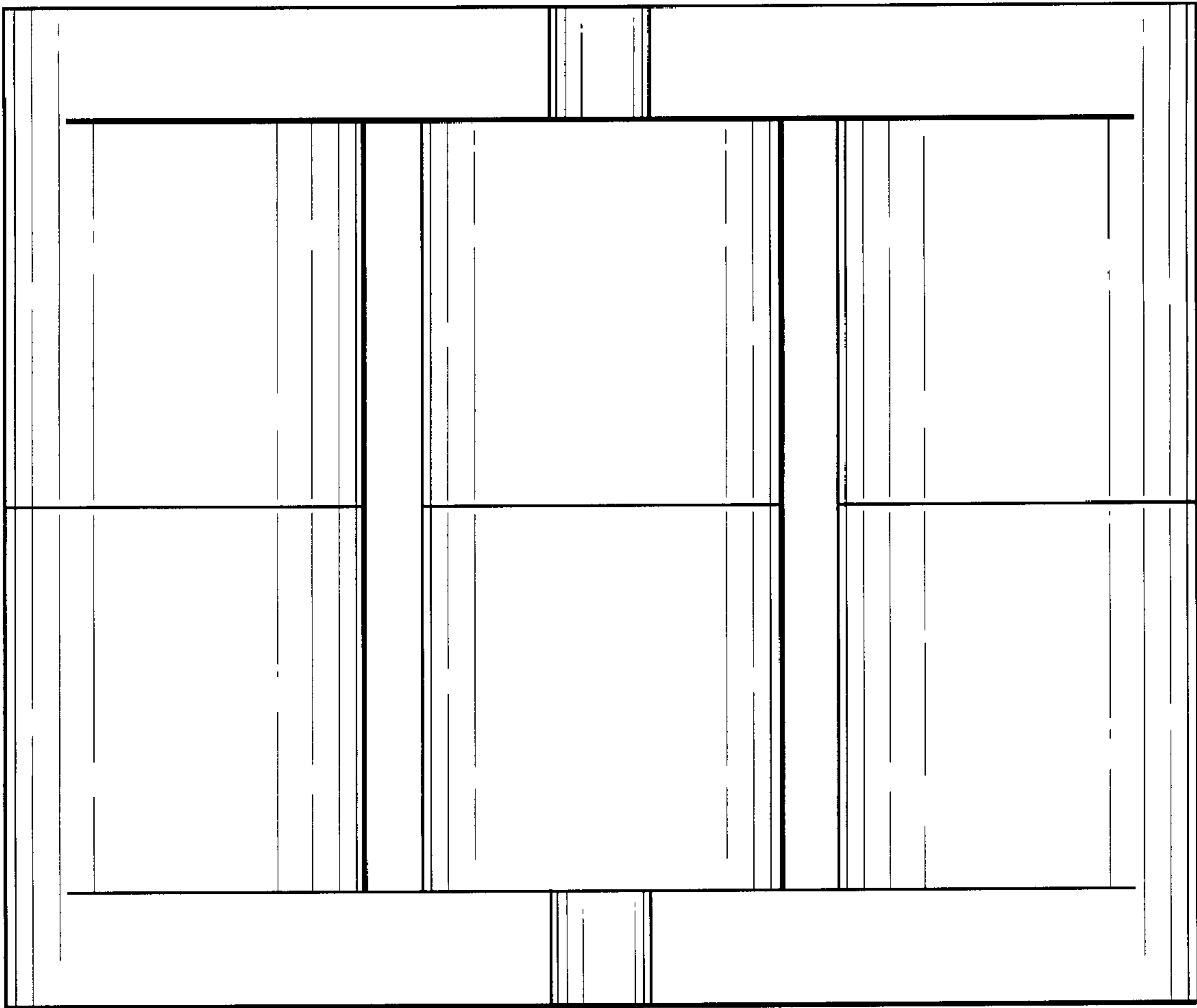


FIG. 12

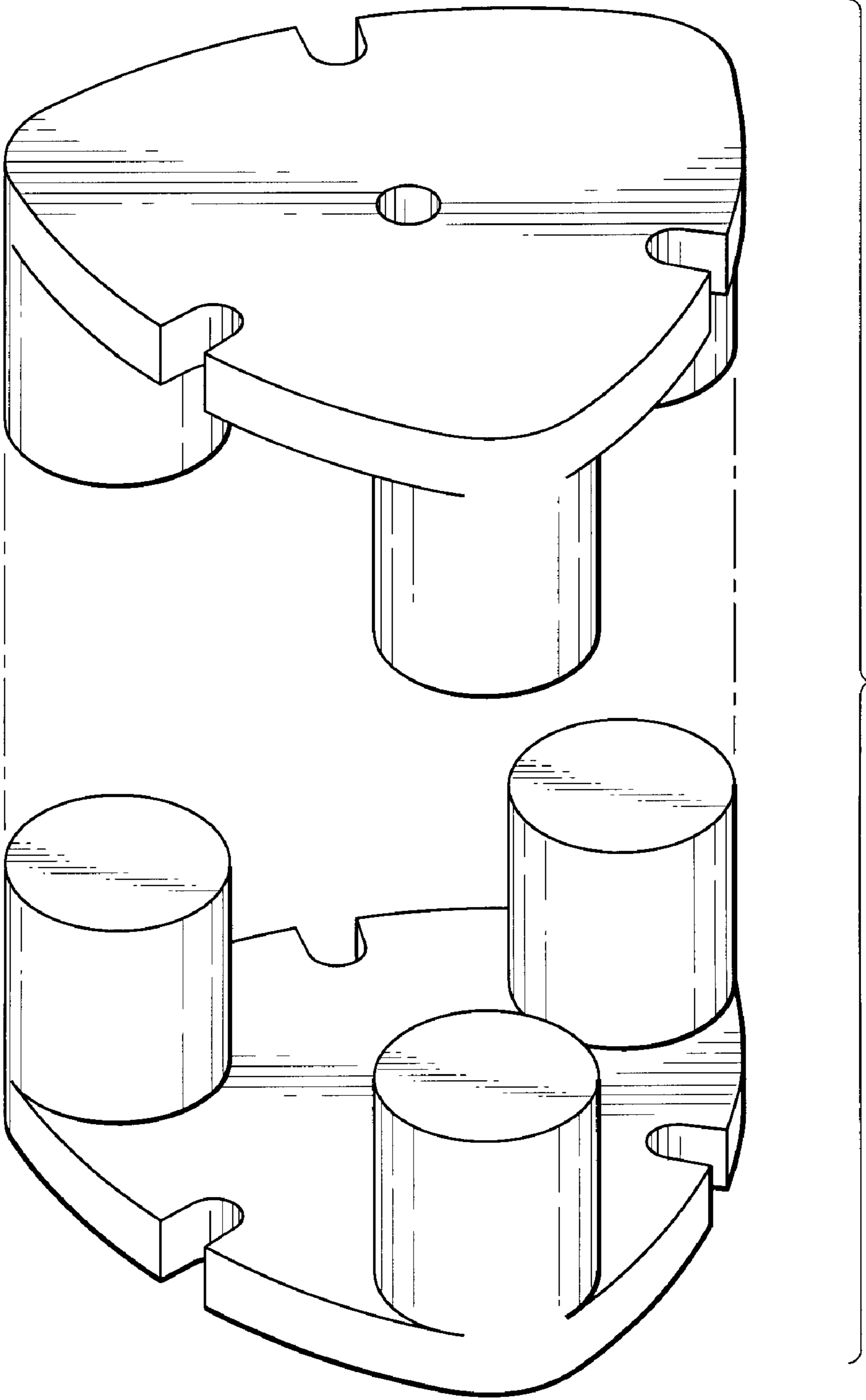


FIG. 13