



US00D613240S

(12) **United States Design Patent**  
**Mukai**

(10) **Patent No.:** **US D613,240 S**

(45) **Date of Patent:** **\*\* Apr. 6, 2010**

(54) **TIRE FOR AUTOMOBILE**

(75) Inventor: **Tomoyuki Mukai**, Osaka (JP)

(73) Assignee: **The Goodyear Tire & Rubber Company**, Akron, OH (US)

(\*\*) Term: **14 Years**

(21) Appl. No.: **29/346,980**

(22) Filed: **Nov. 10, 2009**

(30) **Foreign Application Priority Data**

Jun. 29, 2009 (JP) ..... 2009-014751

(51) **LOC (9) Cl.** ..... **12-15**

(52) **U.S. Cl.** ..... **D12/590**

(58) **Field of Classification Search** ..... D12/568,  
D12/582-603, 551-556, 900-901; 152/209.1,  
152/209.8-209.19, 209.25-209.28

See application file for complete search history.

(56) **References Cited**

**U.S. PATENT DOCUMENTS**

D364,136 S	*	11/1995	Killian	.....	D12/590
D379,338 S		5/1997	Guspodin et al.	.....	D12/147
D395,858 S	*	7/1998	Hanya	.....	D12/590
D423,424 S		4/2000	Ikeda	.....	D12/147
D436,331 S		1/2001	Hanya	.....	D12/147
D451,854 S		12/2001	Hanya	.....	D12/147
D458,583 S	*	6/2002	Villamizar	.....	D12/590
D470,102 S		2/2003	Shirouzu	.....	D12/585
D473,183 S		4/2003	Murata	.....	D12/564
D481,991 S		11/2003	Graas et al.	.....	D12/585
D488,771 S	*	4/2004	Villamizar	.....	D12/590
D489,676 S	*	5/2004	Okubo	.....	D12/590
D500,009 S		12/2004	Okubo	.....	D12/586
D513,402 S		1/2006	Shirouzu	.....	D12/590
D525,191 S		7/2006	Okubo	.....	D12/559
D533,133 S	*	12/2006	Heinen et al.	.....	D12/590

D537,406 S	*	2/2007	Reim	.....	D12/555
D559,774 S		1/2008	Kurata	.....	D12/585
D562,757 S		2/2008	Iwai	.....	D12/519
D579,865 S	*	11/2008	Matsuyama et al.	.....	D12/586

\* cited by examiner

*Primary Examiner*—Stacia Cadmus

(74) *Attorney, Agent, or Firm*—Richard B. O’Planick

(57) **CLAIM**

The ornamental design for a tire for automobile, as shown and described.

**DESCRIPTION**

FIG. 1 is a perspective view of a tire for automobile showing my new design, it being understood that the pattern repeats uniformly throughout the circumference of the tread;

FIG. 2 is a front elevational view thereof;

FIG. 3 is a right side elevational view thereof; the opposite side elevational view being identical thereto;

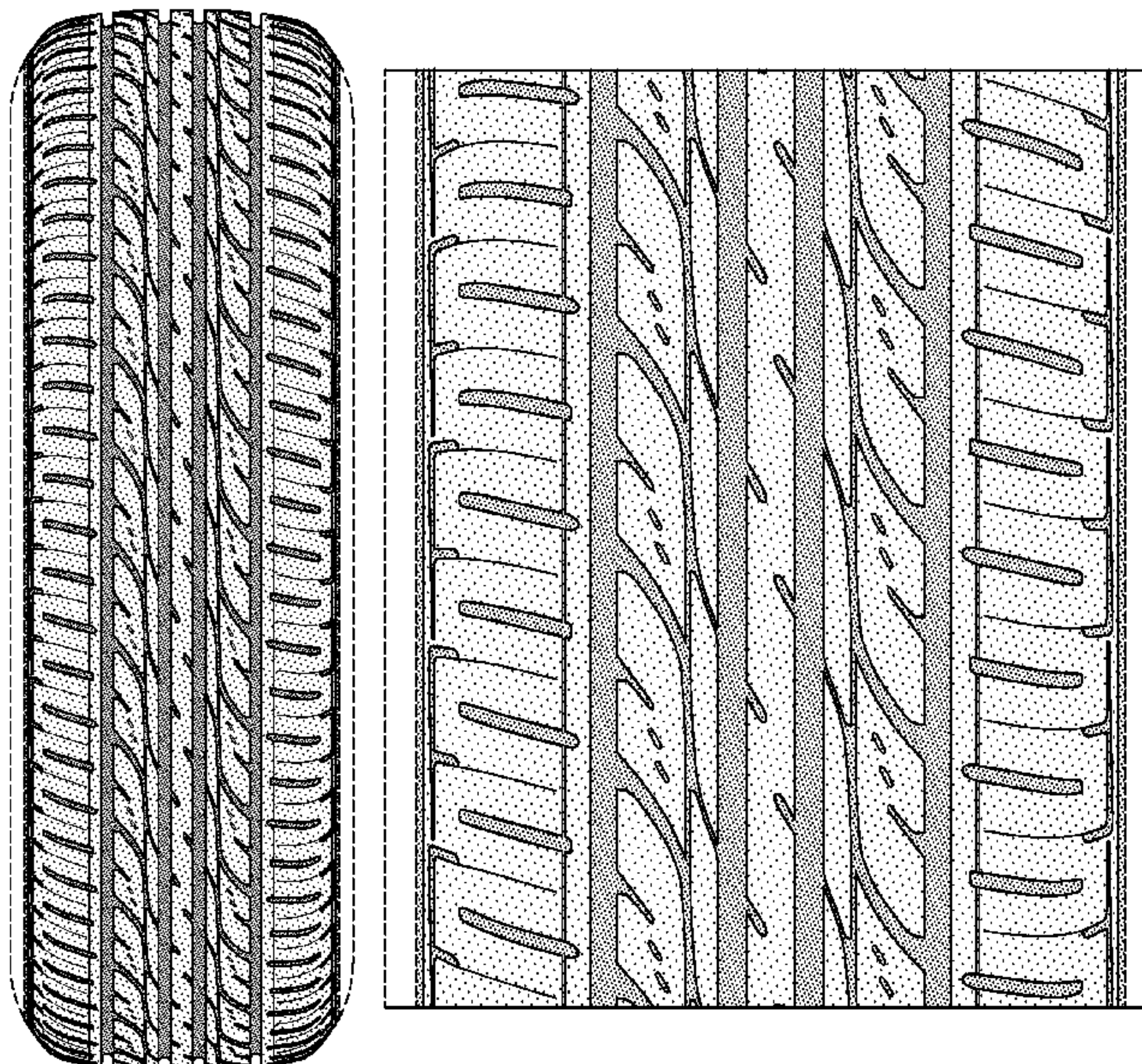
FIG. 4 is an enlarged fragmentary front elevational view thereof;

FIG. 5 is a perspective view of a second embodiment of a tire for automobile showing my new design, it being understood that the pattern repeats uniformly throughout the circumference of the tread and that the opposite side view is identical thereto; and,

FIG. 6 is a front elevational view of a second embodiment, it being understood that an enlarged fragmentary view thereof would be substantially identical to that shown in FIG. 4, with the exception of the inclusion of the sidewall in solid lines.

In the drawings, the broken lines showing of the sidewall, inner bead and the peripheral boundary between the tire tread and the sidewall in FIGS. 1 through 4 depict environmental subject matter and form no part of the claimed design.

**1 Claim, 6 Drawing Sheets**





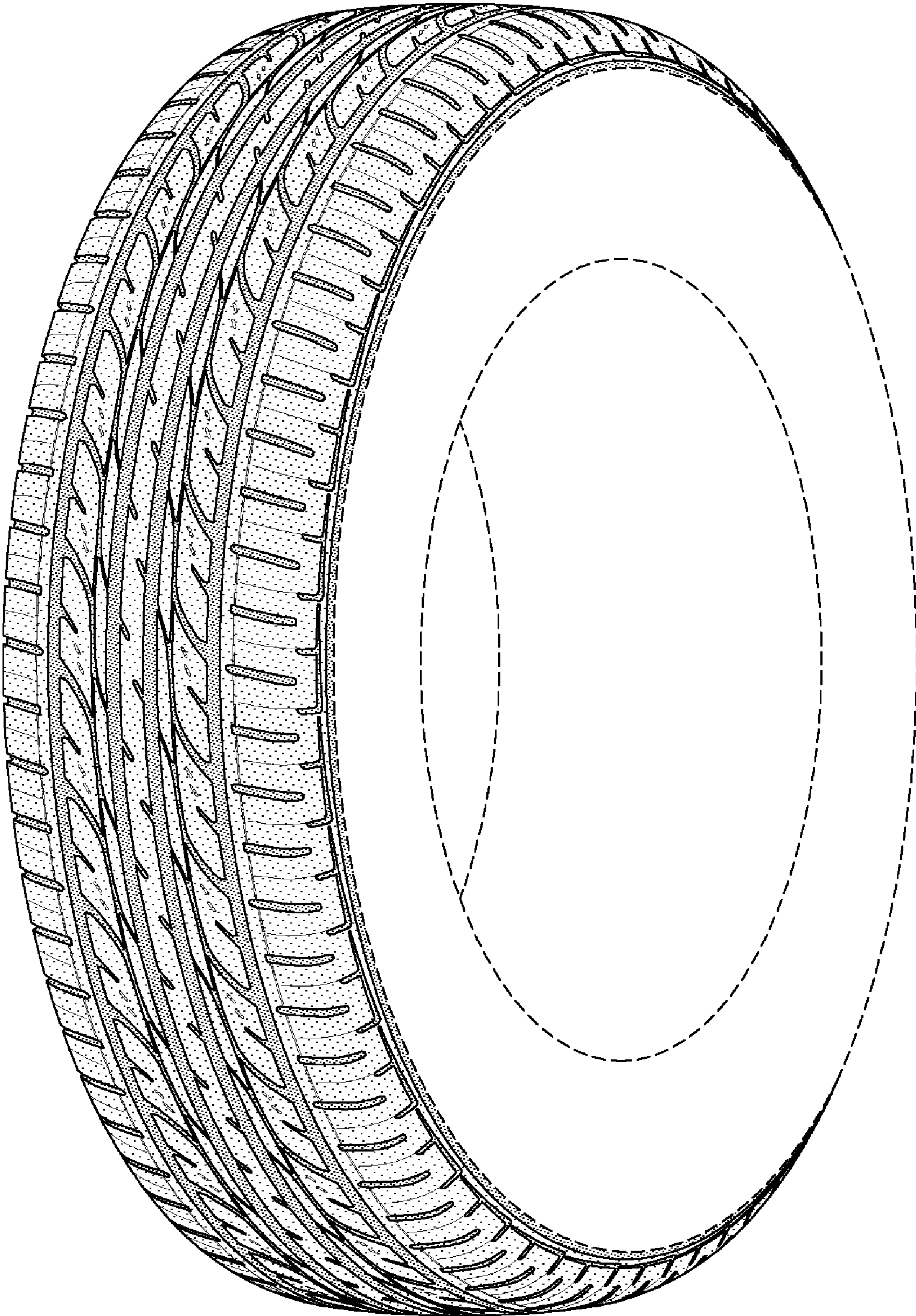


FIG-1

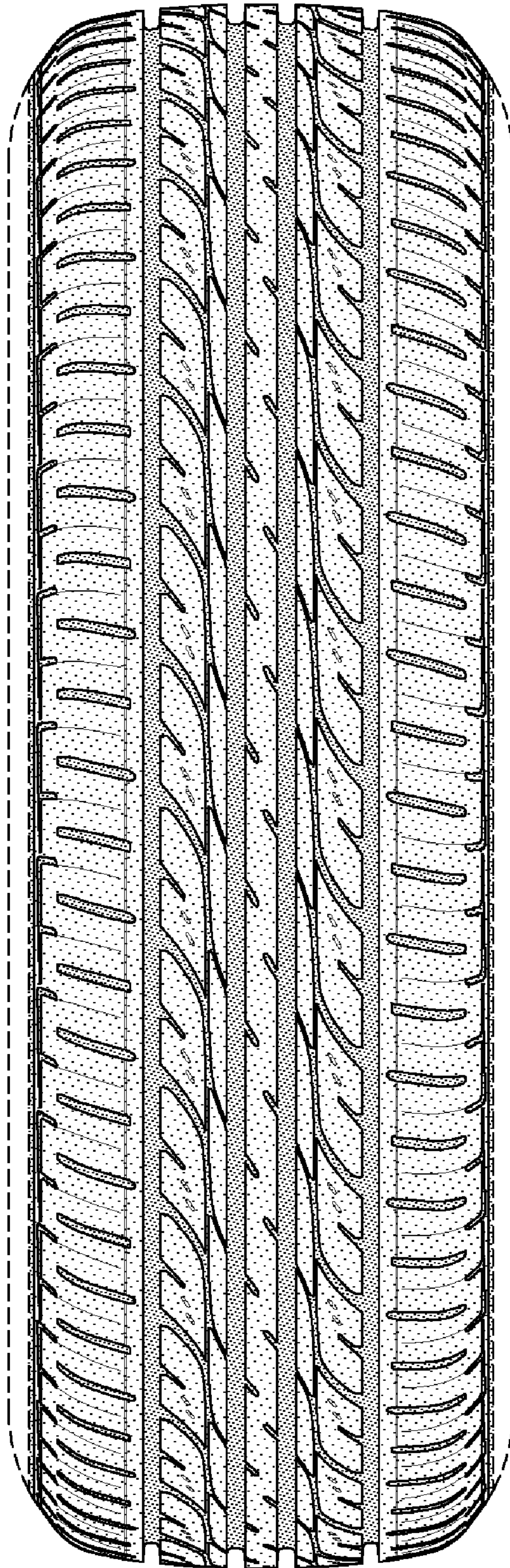


FIG-2



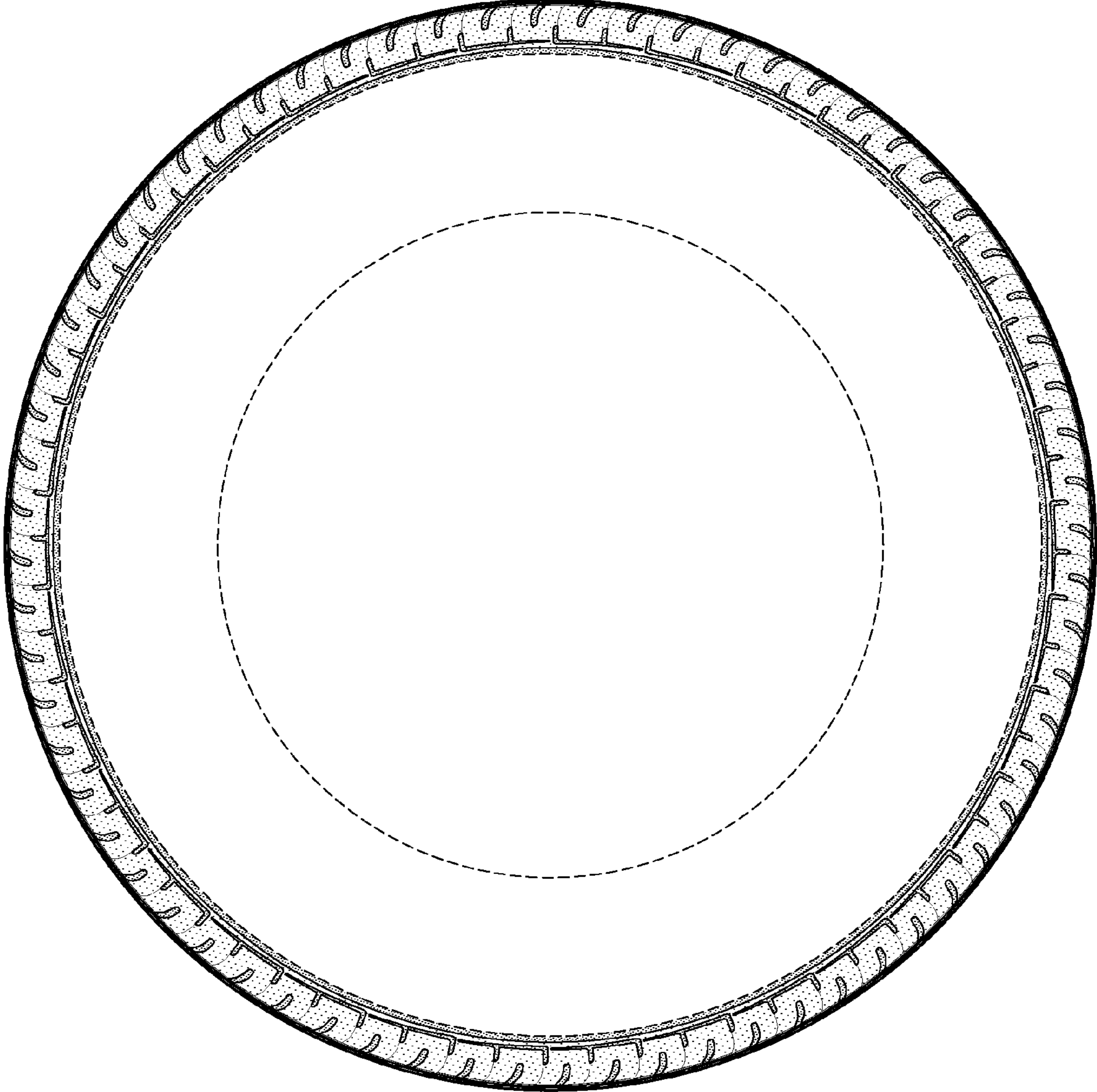


FIG-3

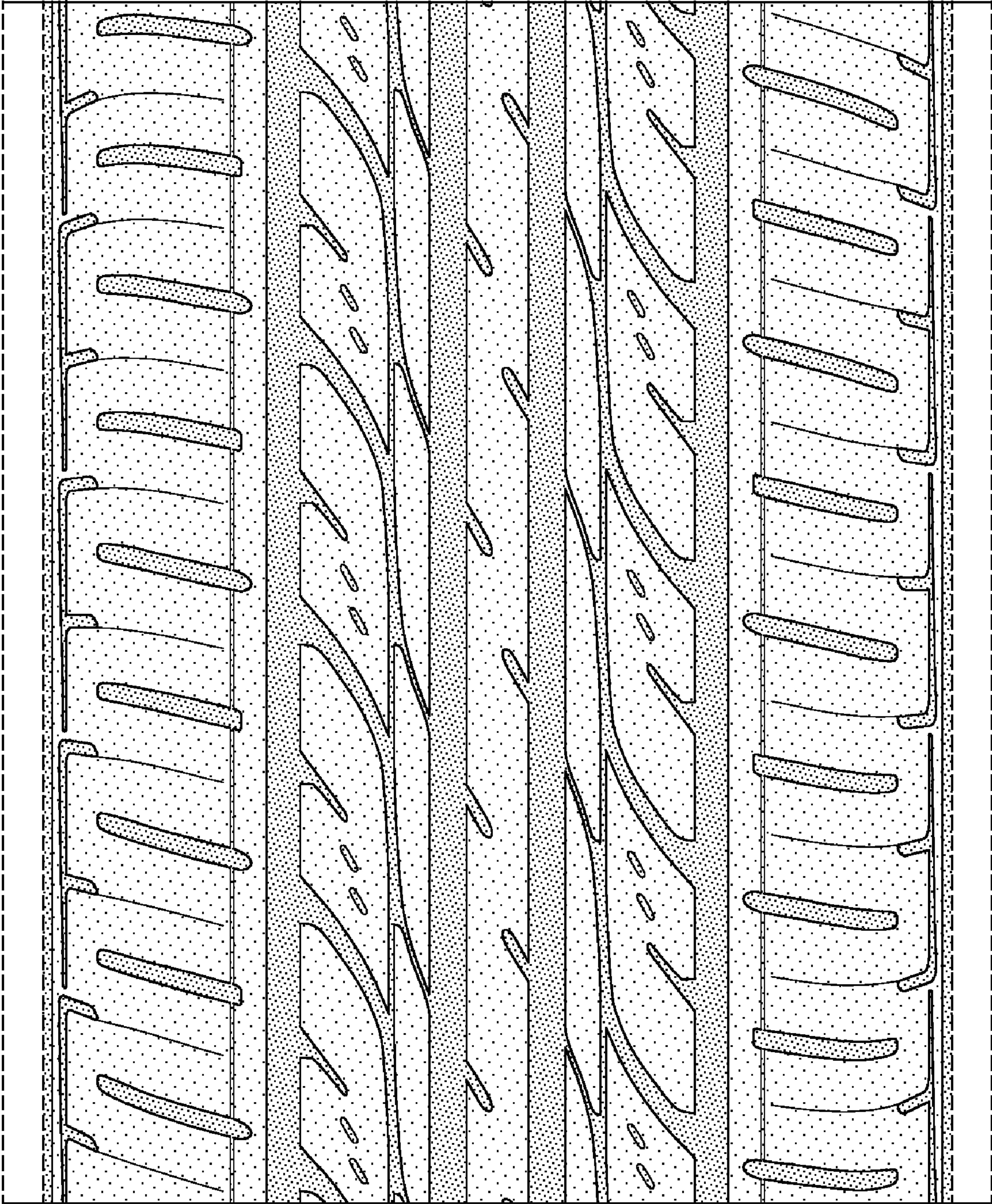


FIG-4



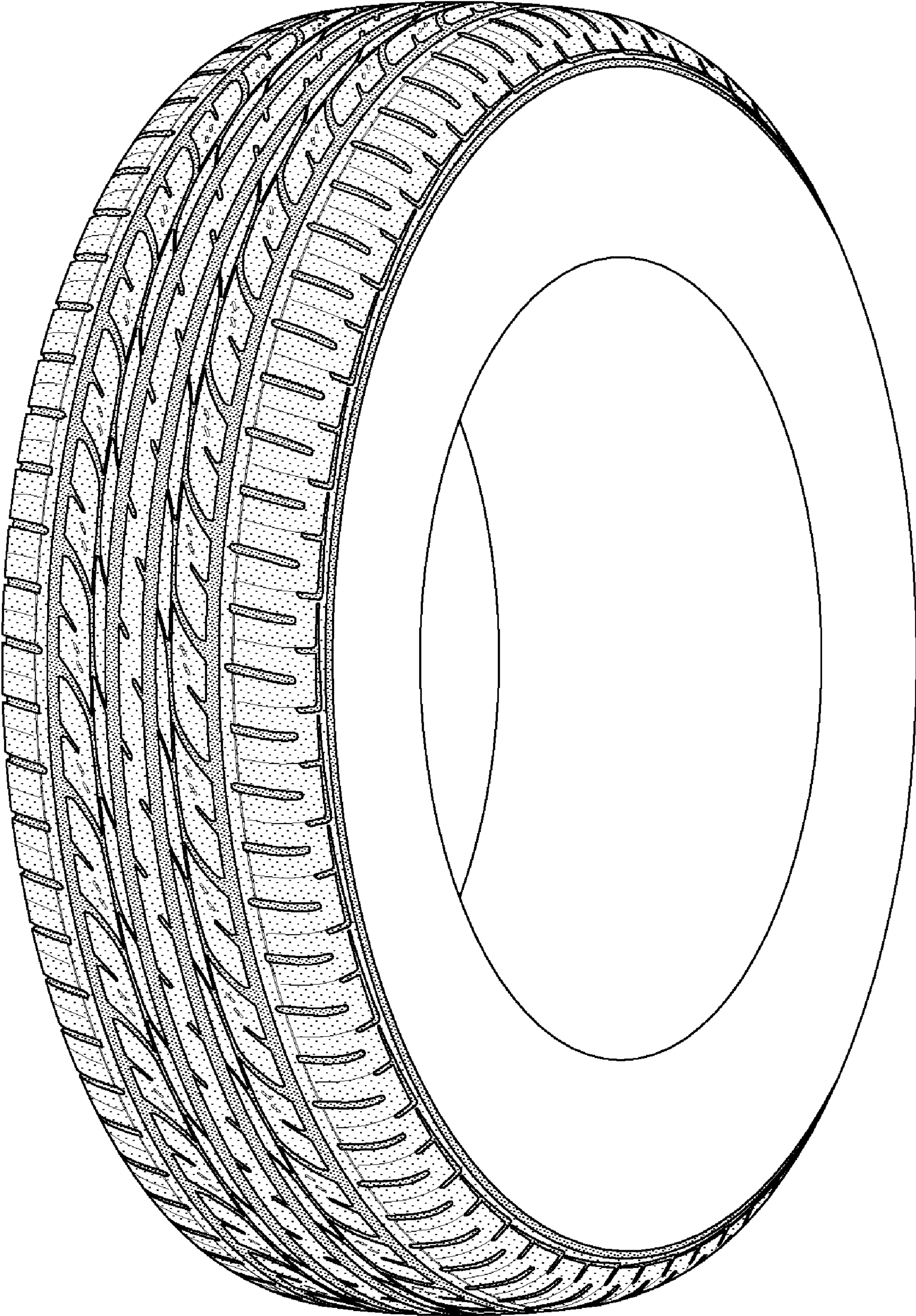


FIG-5

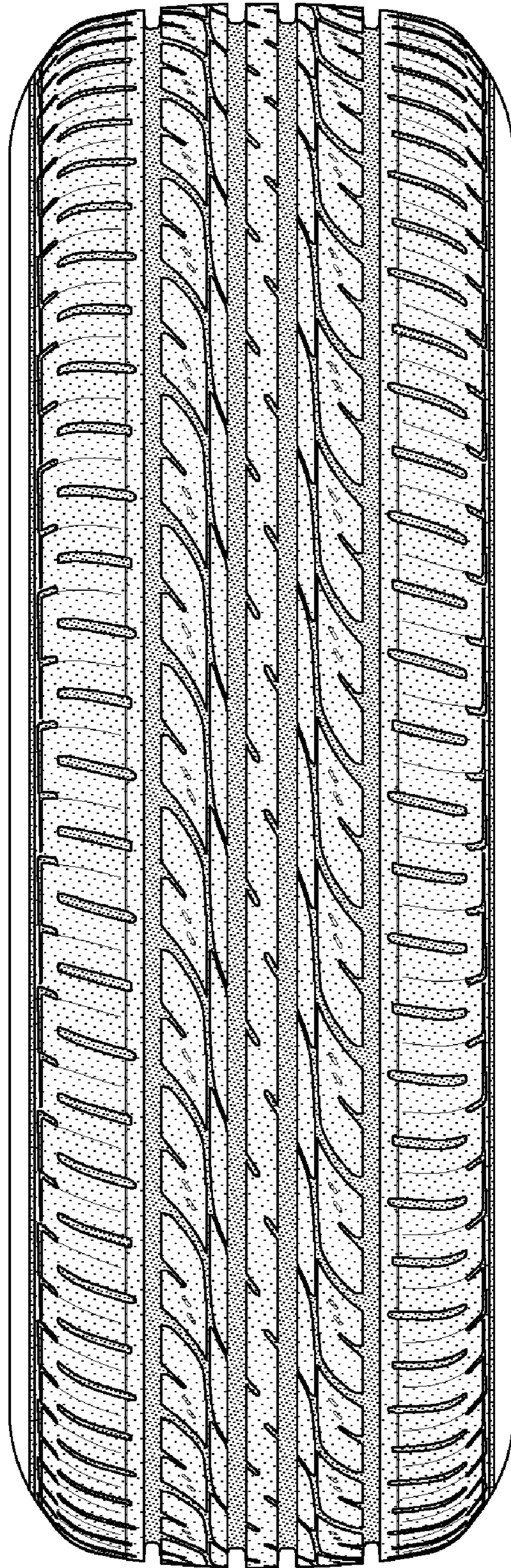


FIG-6