



US00D613232S

(12) **United States Design Patent**
Guering

(10) **Patent No.:** **US D613,232 S**

(45) **Date of Patent:** **** Apr. 6, 2010**

(54) **CONTROL STICK FOR AN AIRCRAFT**

D508,964 S * 8/2005 Gollither D21/566
7,109,994 B2 * 9/2006 Bollo et al. 345/473

(75) Inventor: **Bernard Guering**, Montrabe (FR)

OTHER PUBLICATIONS

(73) Assignee: **Airbus Operations S.A.S.**, Toulouse Cedex (FR)

U.S. Appl. No. 29/275,955; Title: Combination Control Stick/Armrest for an Aircraft; filed Jan. 10, 2007.

(**) Term: **14 Years**

* cited by examiner

(21) Appl. No.: **29/275,953**

Primary Examiner—Cathron C Brooks

Assistant Examiner—Kevin K Rudzinski

(22) Filed: **Jan. 10, 2007**

(74) *Attorney, Agent, or Firm*—Osler, Hoskin & Harcourt LLP

(30) **Foreign Application Priority Data**

(57) **CLAIM**

Jul. 13, 2006 (EM) 000572367

The ornamental design for a control stick for an aircraft, as shown and described.

(51) **LOC (9) Cl.** **12-07**

(52) **U.S. Cl.** **D12/345**

(58) **Field of Classification Search** D12/424,
D12/425, 415, 345, 192, 319, 400, 421; D14/405,
D14/412, 415, 416, 413, 414; D21/477,
D21/566; 345/161; 434/14, 28, 30, 31, 35,
434/45; 463/38; 446/7, 59, 232, 230
See application file for complete search history.

DESCRIPTION

FIG. 1 is a rear, left perspective view of a control stick for an aircraft according to my design;

FIG. 2 is a rear elevation view thereof;

FIG. 3 is a left side elevation view thereof;

FIG. 4 is a right side elevation view thereof;

FIG. 5 is a front elevation view thereof; and,

FIG. 6 is a top plan view thereof.

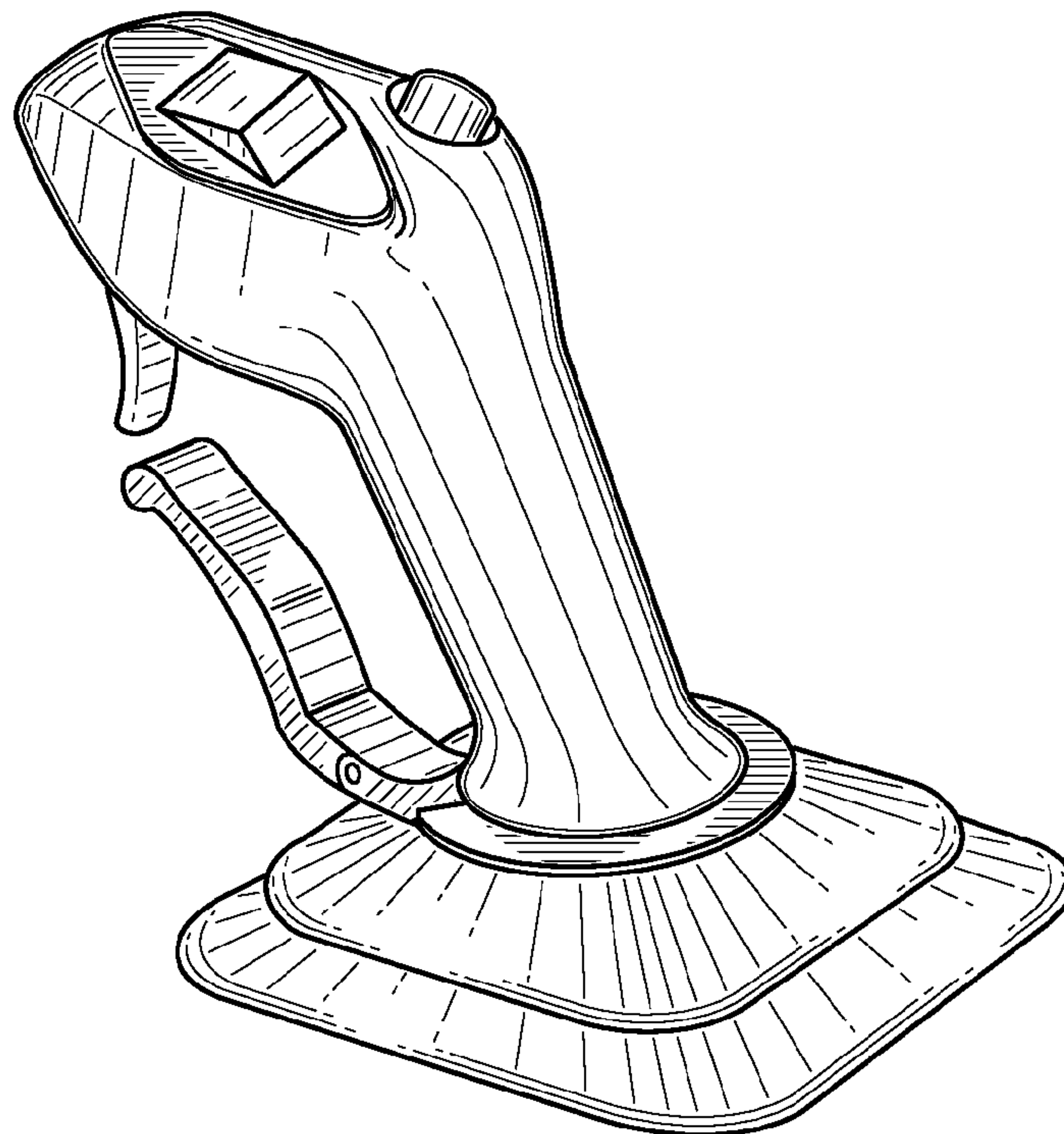
No bottom plan view is included as no features of the claimed design are visible therein.

(56) **References Cited**

U.S. PATENT DOCUMENTS

D374,218 S * 10/1996 Sanchez et al. D14/412
D409,182 S * 5/1999 Tyler D14/413
6,005,551 A * 12/1999 Osborne et al. 345/161
D441,366 S * 5/2001 Alviar et al. D14/412

1 Claim, 4 Drawing Sheets



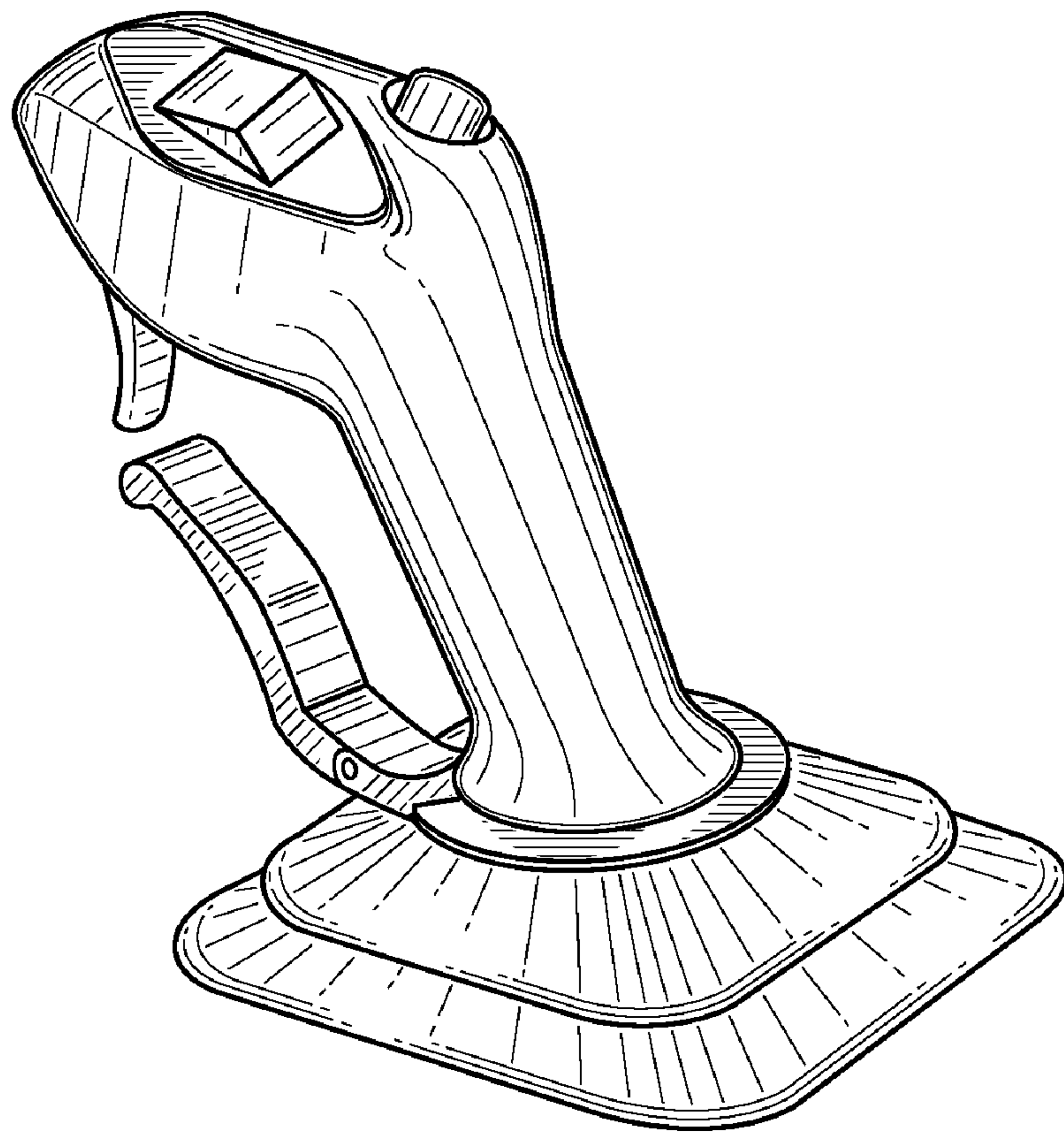


FIG. 1

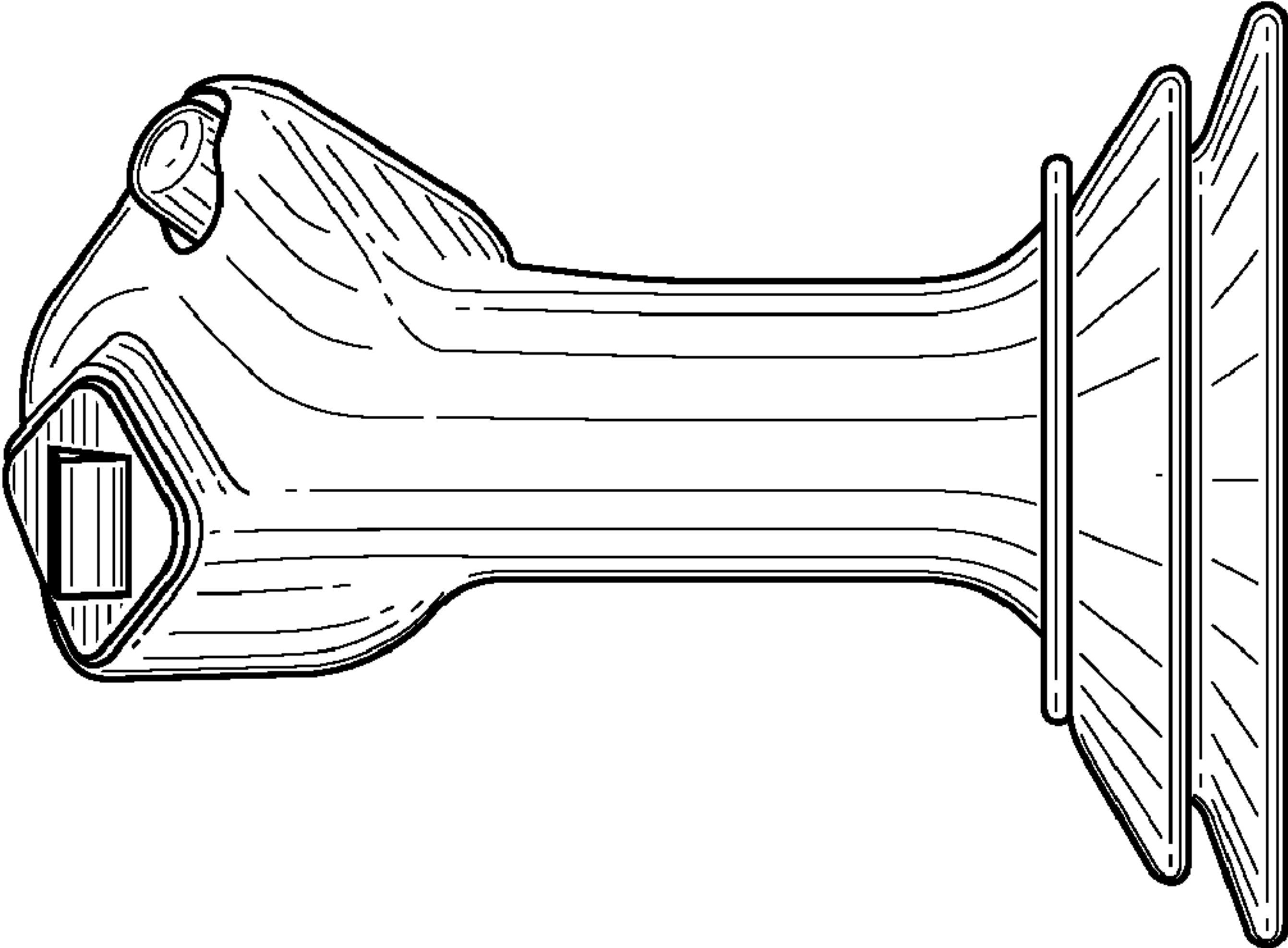


FIG. 2

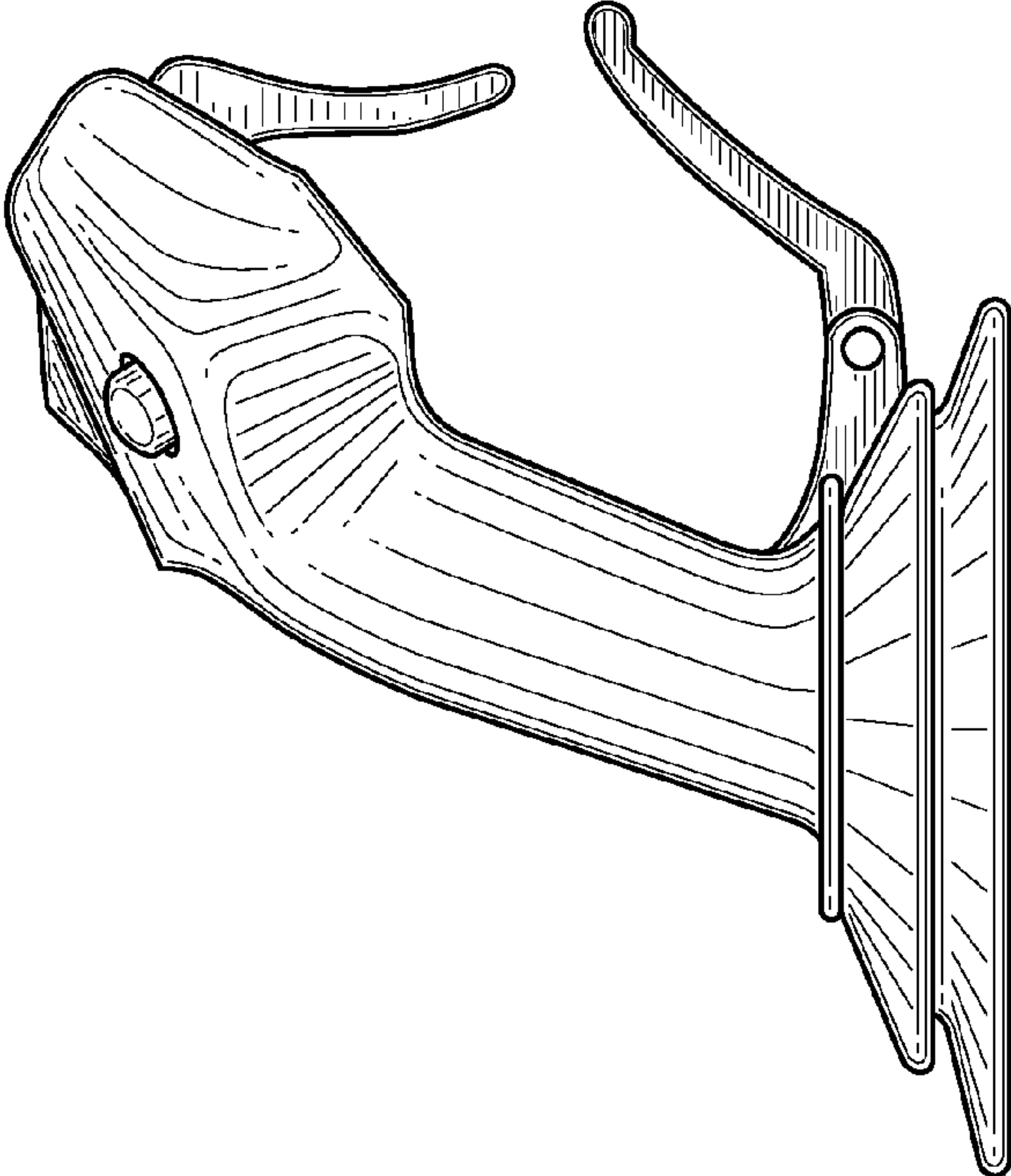


FIG. 4

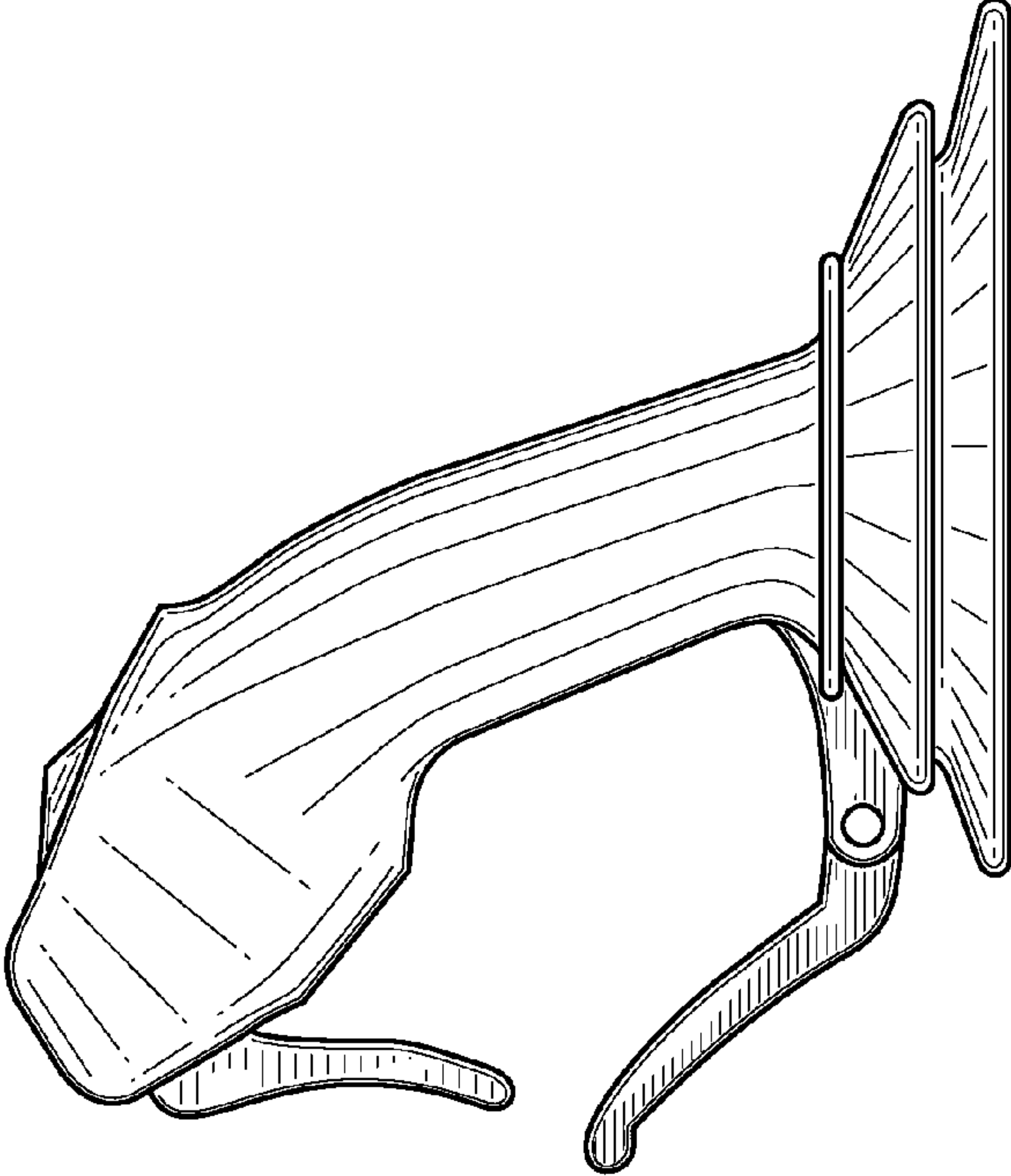


FIG. 3

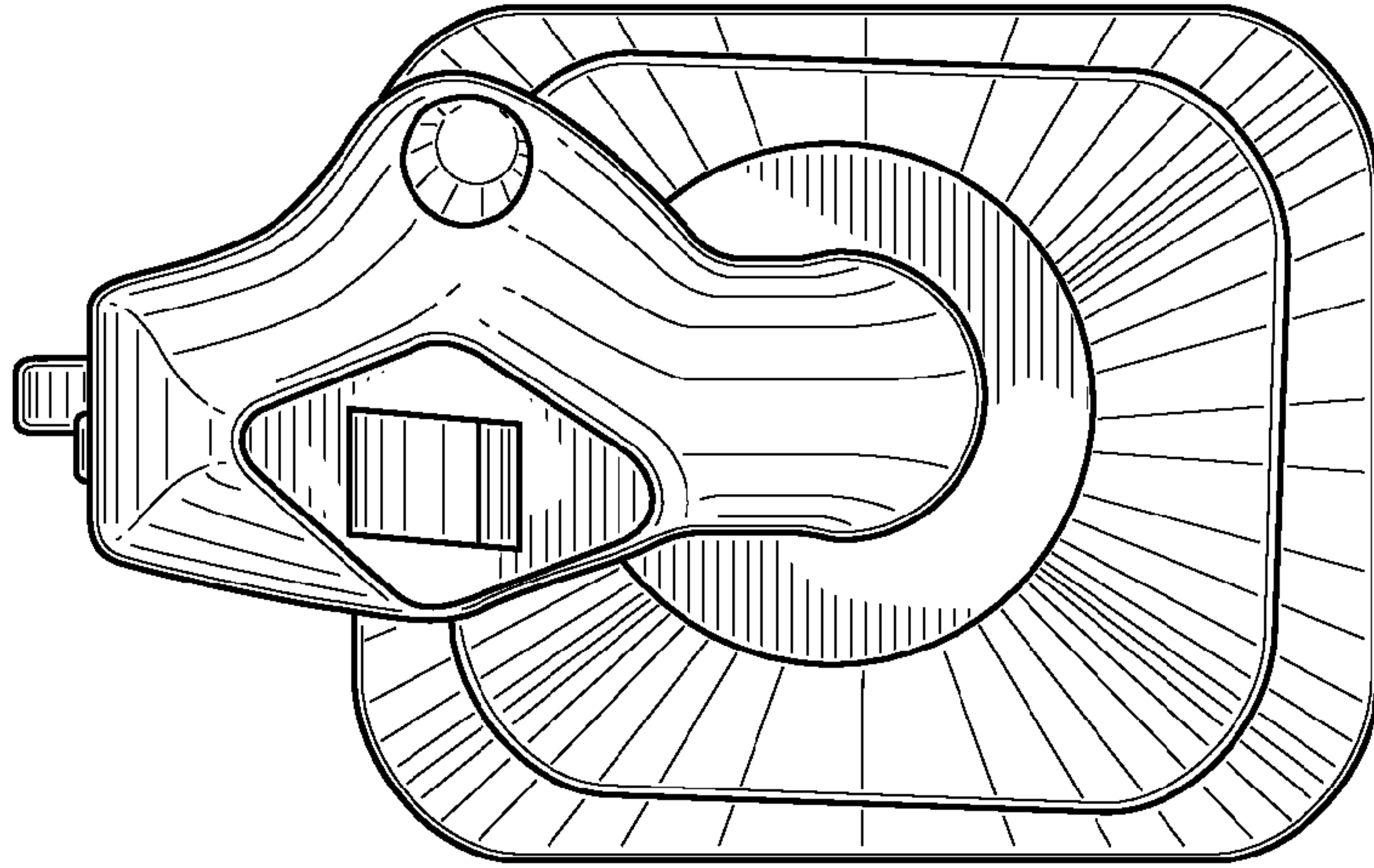


FIG. 6

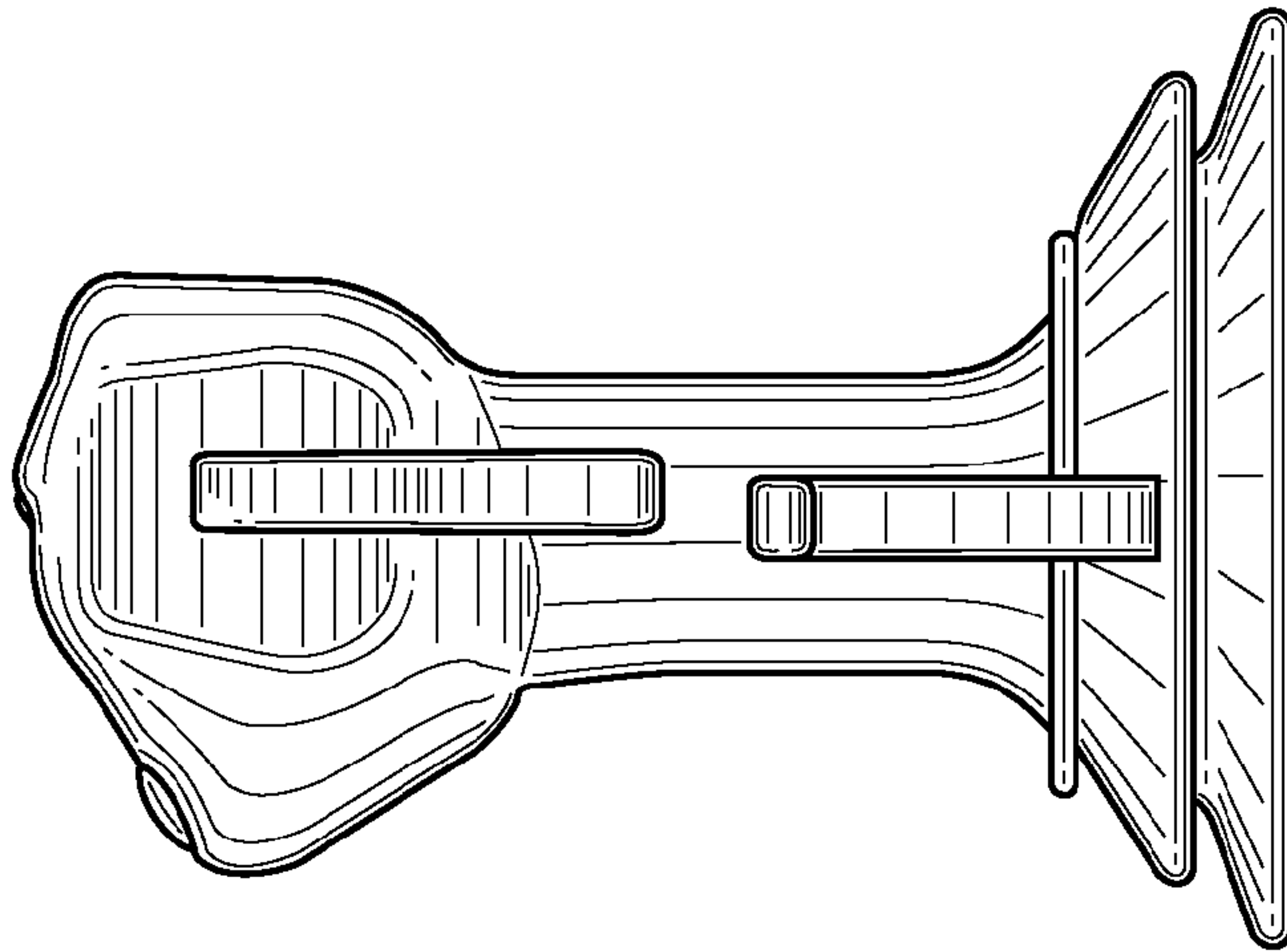


FIG. 5