



US00D613230S

(12) **United States Design Patent**
Antoniadis et al.

(10) **Patent No.:** **US D613,230 S**
(45) **Date of Patent:** **** Apr. 6, 2010**

(54) **WHEEL OR WHEEL COVER**

(75) Inventors: **Apostolos Antoniadis**, Sindelfingen (DE); **Gert Stolz**, Kernen (DE)

(73) Assignee: **Daimler AG**, Stuttgart (DE)

(**) Term: **14 Years**

(21) Appl. No.: **29/311,243**

(22) Filed: **Jan. 27, 2009**

(30) **Foreign Application Priority Data**

Jul. 28, 2008 (EM) 000977988-0007

(51) **LOC (9) Cl.** **12-16**

(52) **U.S. Cl.** **D12/211**

(58) **Field of Classification Search** D12/204-213;
301/37.101, 64.101, 65, 64.201
See application file for complete search history.

(56) **References Cited**

U.S. PATENT DOCUMENTS

D415,094 S * 10/1999 Neeper D12/211
D421,953 S * 3/2000 Sims et al. D12/211
D516,991 S * 3/2006 Guevara D12/211

D527,330 S * 8/2006 Madden D12/211
D527,333 S * 8/2006 Blasi D12/211
D536,653 S * 2/2007 Rasmussen et al. D12/211
D569,777 S * 5/2008 Chung D12/211
D586,285 S * 2/2009 Fridie D12/211
D593,922 S * 6/2009 Blasi D12/211
D596,552 S * 7/2009 Beermann D12/211
D598,357 S * 8/2009 Chung D12/211

* cited by examiner

Primary Examiner—Stacia Cadmus

(74) *Attorney, Agent, or Firm*—Crowell & Moring LLP

(57) **CLAIM**

The ornamental design for a wheel or wheel cover, as shown and described.

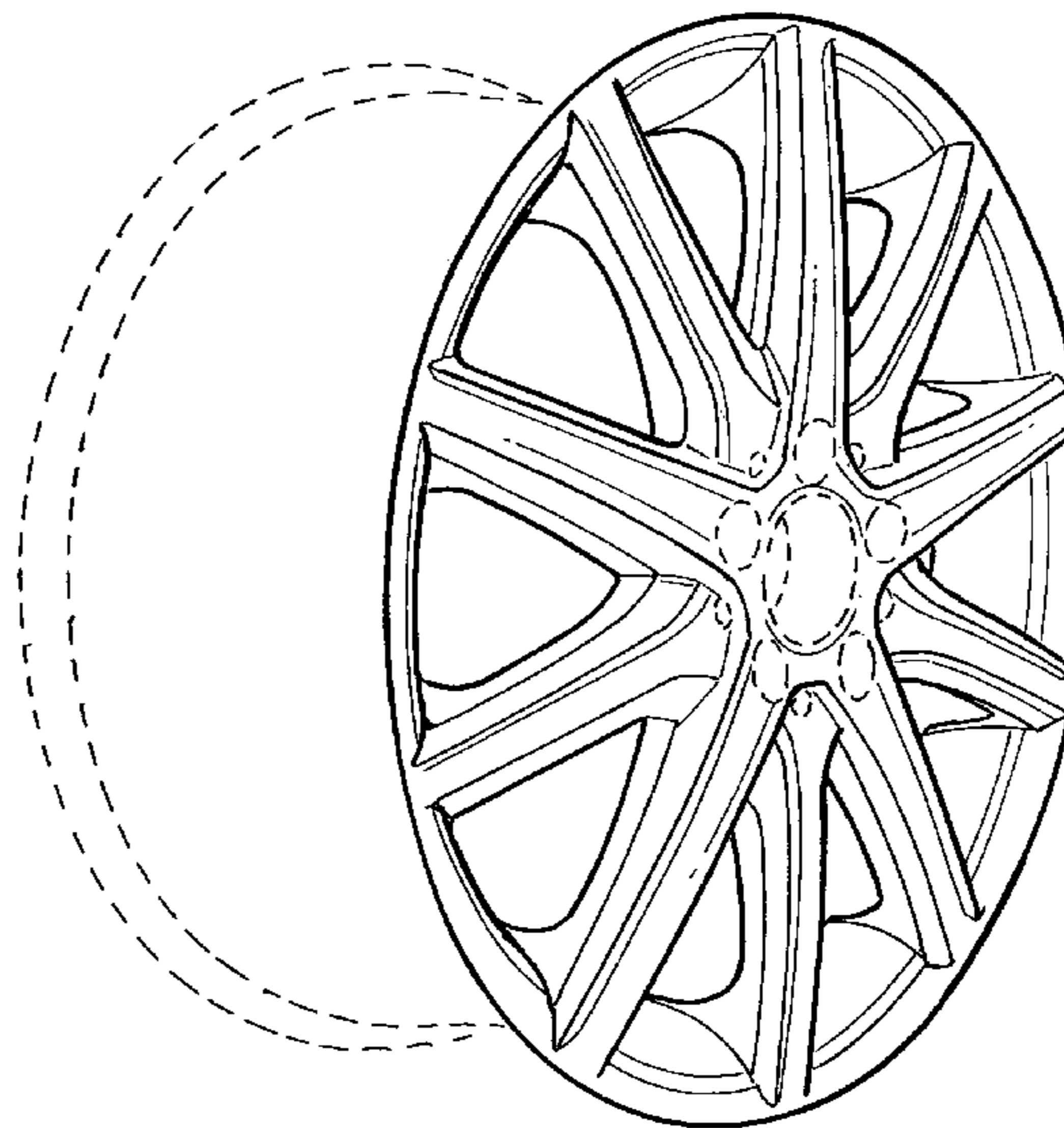
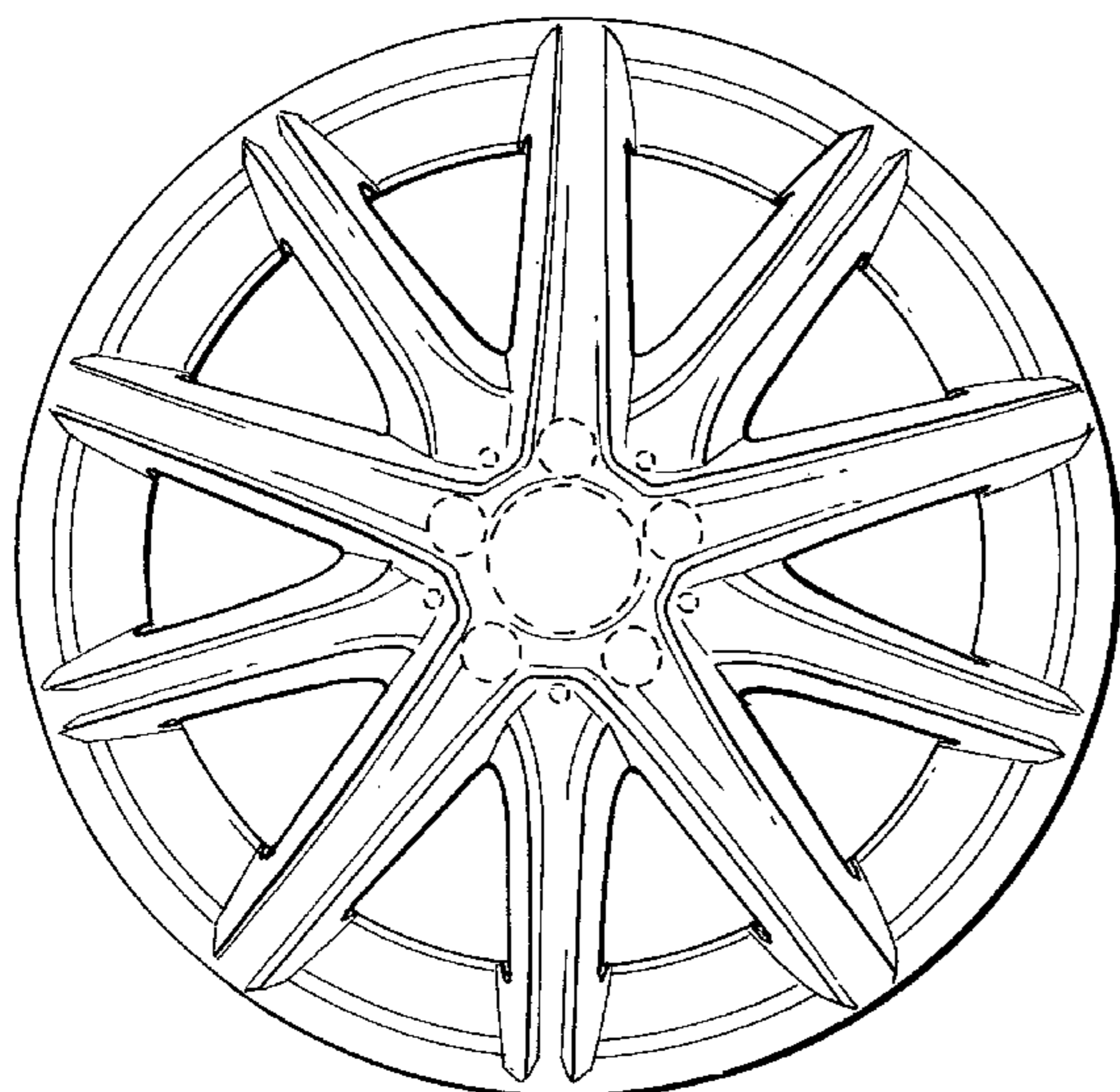
DESCRIPTION

FIG. 1 is a front view of a wheel or wheel cover according to our novel design; and,

FIG. 2 is a perspective view thereof.

The broken line showing of the rear of the rim and the bolt holes and center hole in the central hub area is included for the purpose of illustrating environment and forms no part of the claimed design.

1 Claim, 1 Drawing Sheet



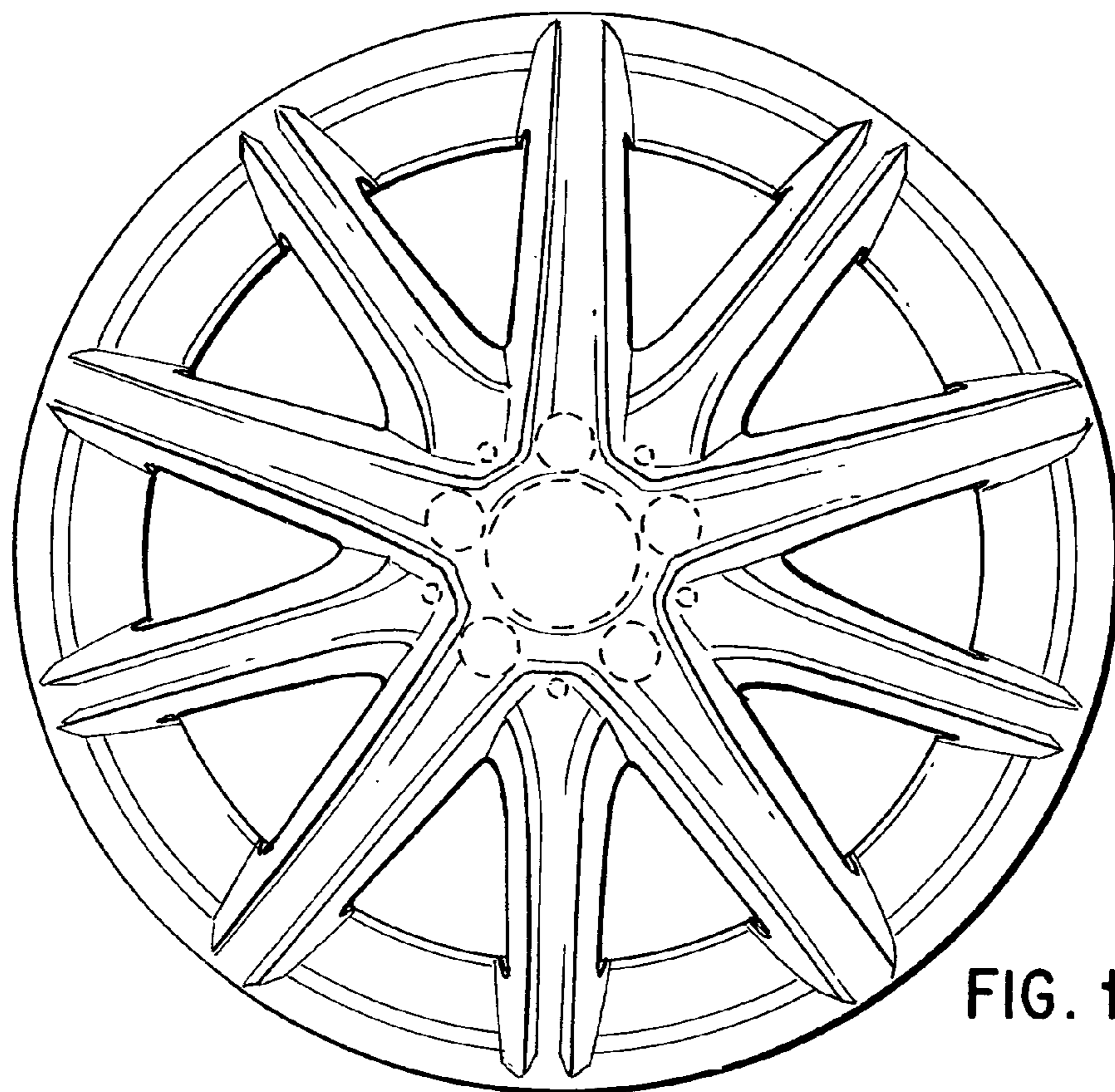


FIG. 1

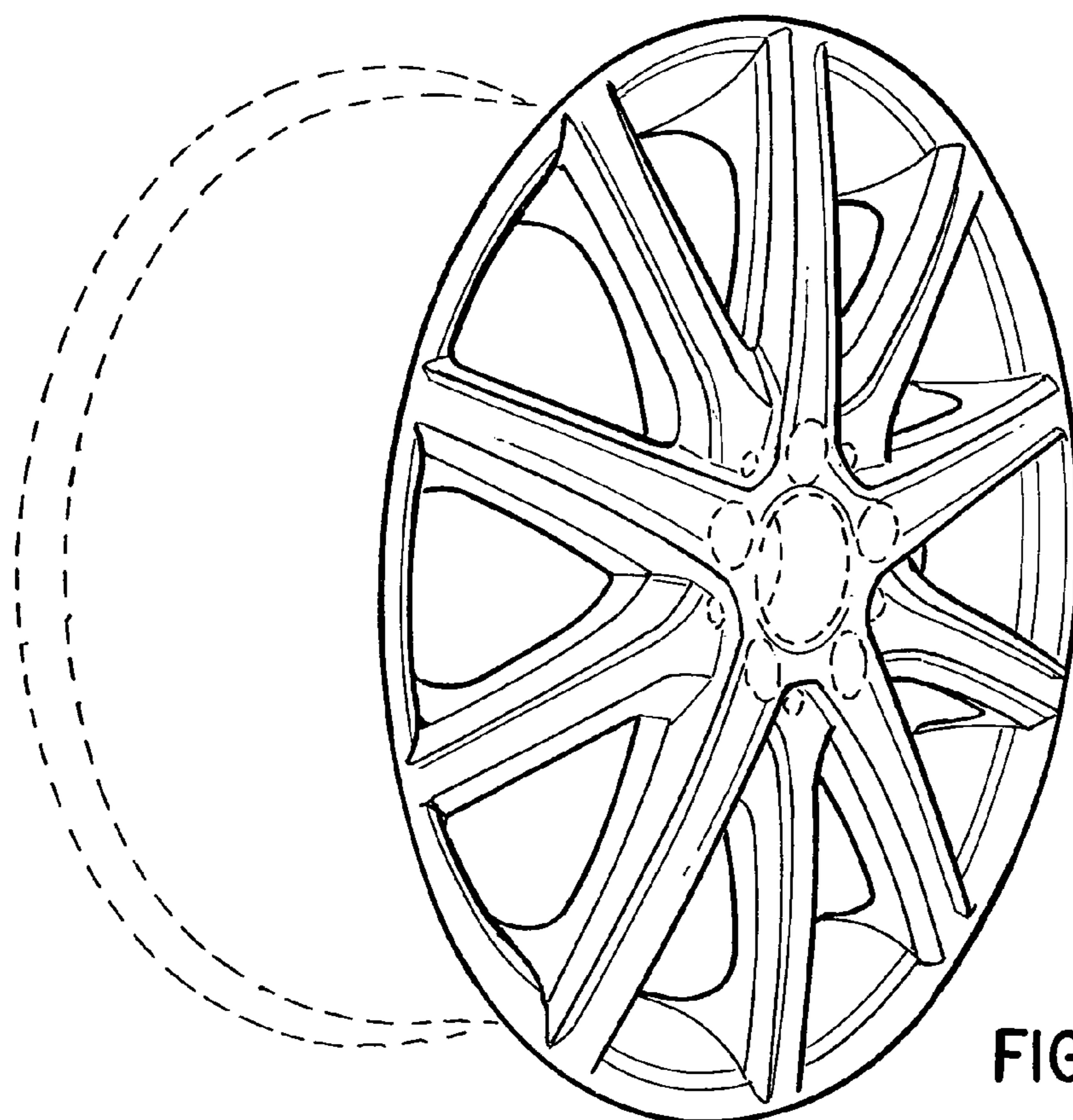


FIG. 2