



US00D613229S

(12) **United States Design Patent**
Antoniadis et al.

(10) **Patent No.:** **US D613,229 S**

(45) **Date of Patent:** **** Apr. 6, 2010**

(54) **WHEEL OR WHEEL COVER**

(75) Inventors: **Apostolos Antoniadis**, Sindelfingen (DE); **Gert Stolz**, Kernen (DE)

(73) Assignee: **Daimler AG**, Stuttgart (DE)

(**) Term: **14 Years**

(21) Appl. No.: **29/311,242**

(22) Filed: **Jan. 27, 2009**

(30) **Foreign Application Priority Data**

Jul. 28, 2008 (EM) 000977988-0003

(51) **LOC (9) Cl.** **12-16**

(52) **U.S. Cl.** **D12/211**

(58) **Field of Classification Search** D12/204–213;
301/37.101, 64.101, 65, 64.201
See application file for complete search history.

(56) **References Cited**

U.S. PATENT DOCUMENTS

D388,045 S *	12/1997	Sakagami et al.	D12/209
D408,346 S *	4/1999	Goplen	D12/211
D476,284 S *	6/2003	Pfeiffer et al.	D12/211
D477,265 S *	7/2003	Chung	D12/211
D494,523 S *	8/2004	Koenigsberg	D12/209
D502,680 S *	3/2005	Frizzi	D12/211
D504,099 S *	4/2005	Boyer	D12/211
D504,651 S *	5/2005	Johnson	D12/211

D507,775 S *	7/2005	Pfeiffer	D12/211
D512,675 S *	12/2005	Nagashima	D12/209
D514,999 S *	2/2006	Boyer	D12/209
D516,490 S *	3/2006	Baer	D12/211
D523,387 S *	6/2006	Pfeiffer	D23/211
D527,328 S *	8/2006	Pfeiffer	D12/211
D530,251 S *	10/2006	Gabath	D12/209
D531,566 S *	11/2006	Kim	D12/211
D538,729 S *	3/2007	Pfeiffer	D12/209
D546,747 S *	7/2007	Pfeiffer	D12/211
D571,703 S *	6/2008	Antoniadis et al.	D12/211
D573,082 S *	7/2008	Young	D12/211
D587,179 S *	2/2009	Pfeiffer	D12/209

* cited by examiner

Primary Examiner—Stacia Cadmus

(74) *Attorney, Agent, or Firm*—Crowell & Moring LLP

(57) **CLAIM**

The ornamental design for a wheel or wheel cover, as shown and described.

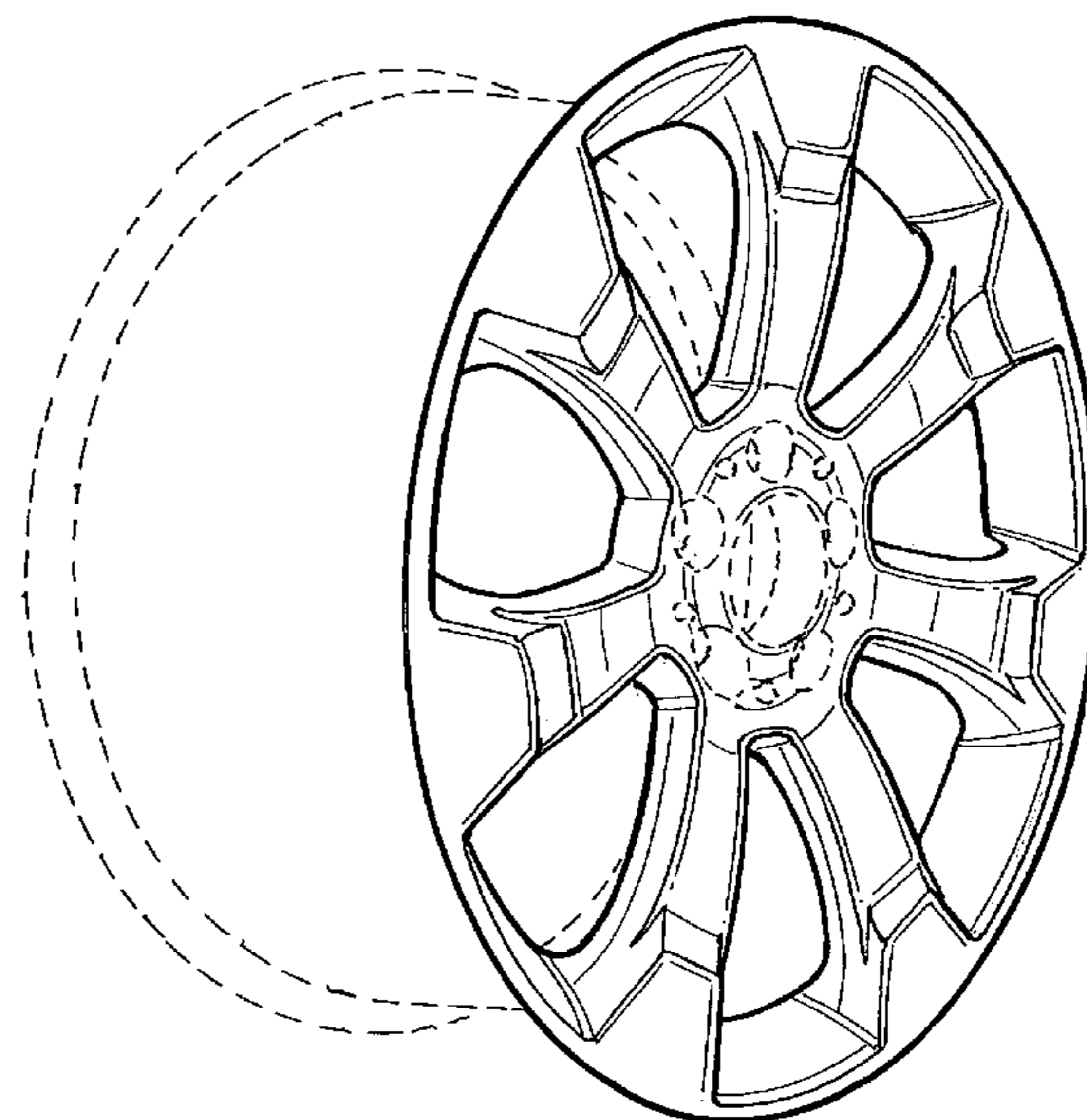
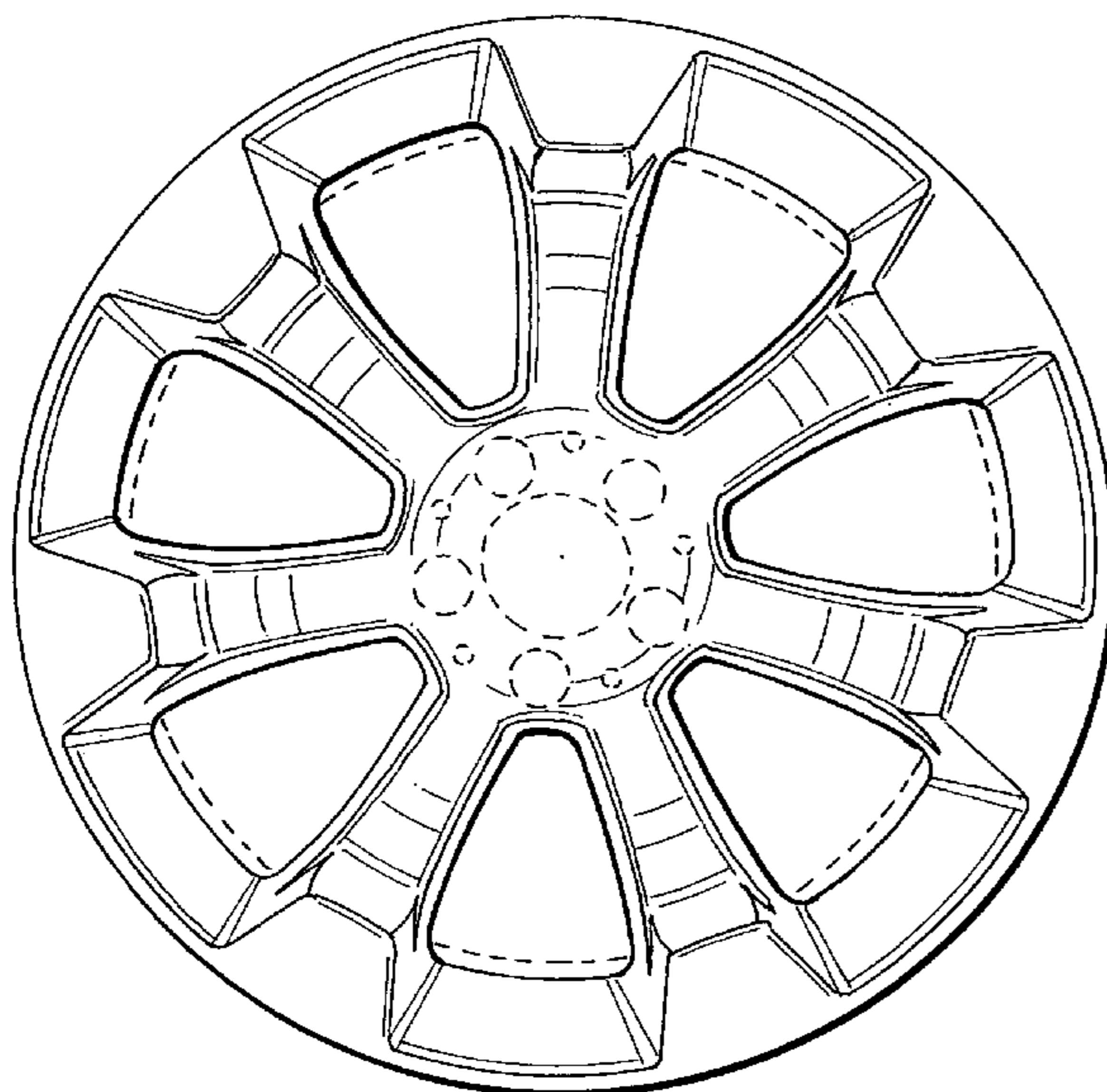
DESCRIPTION

FIG. 1 is a front view of a wheel or wheel cover according to our novel design; and,

FIG. 2 is a perspective view thereof.

The broken line showing of the rear of the rim and the bolt holes and center hole in the central hub area is included for the purpose of illustrating environment and forms no part of the claimed design.

1 Claim, 1 Drawing Sheet



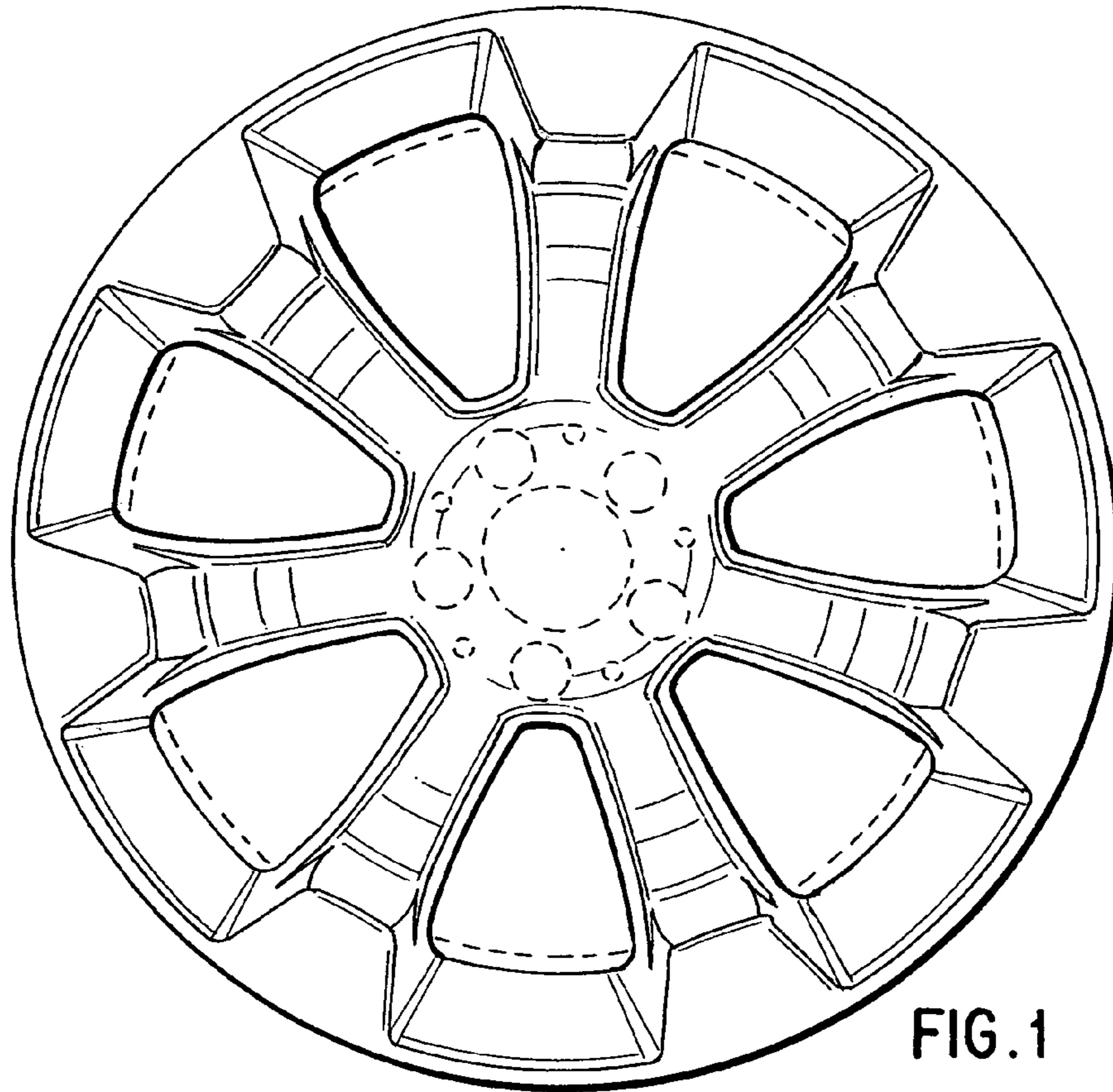


FIG. 1

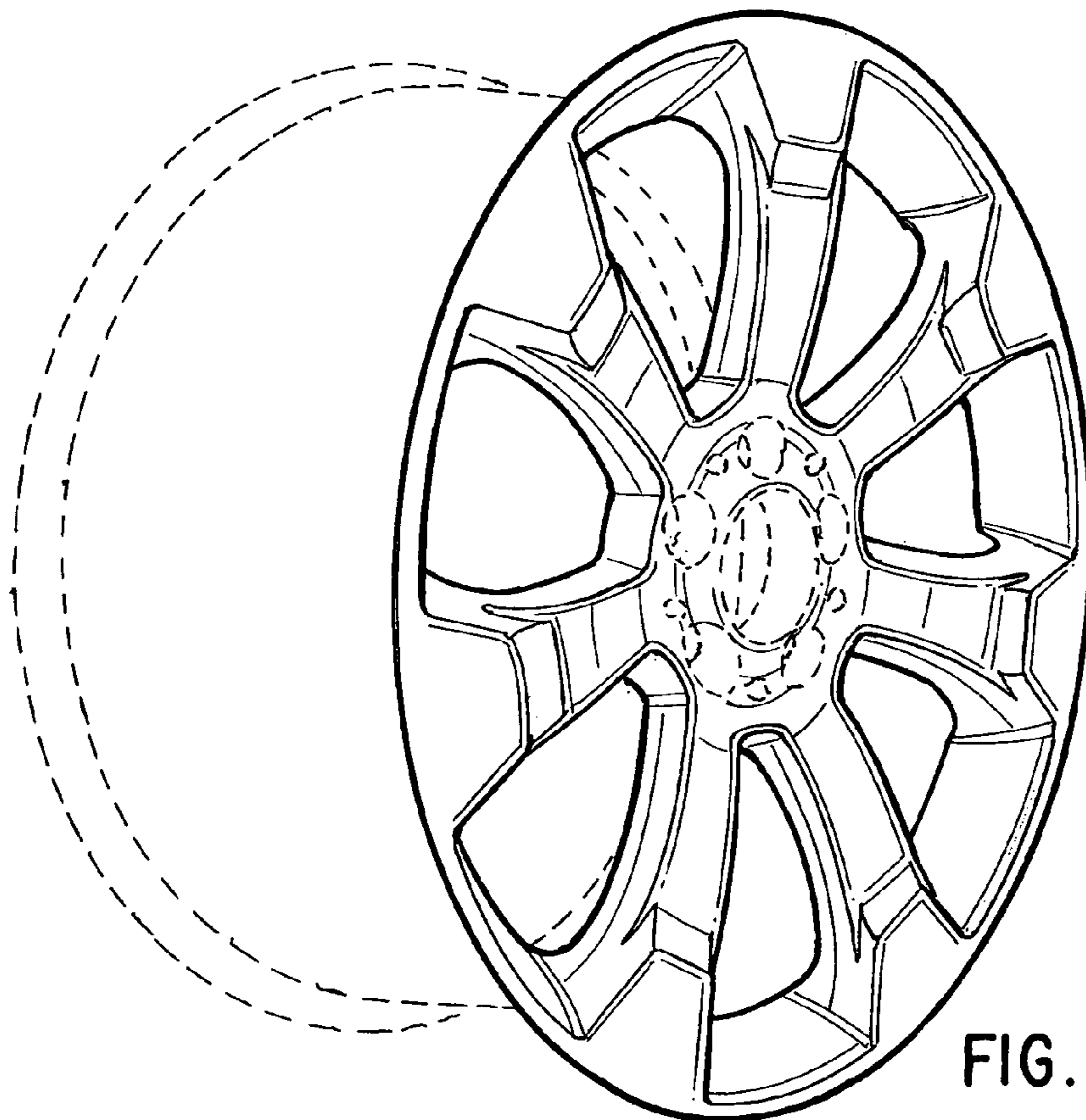


FIG. 2