



US00D613228S

(12) **United States Design Patent**
Juergens et al.

(10) **Patent No.:** **US D613,228 S**
(45) **Date of Patent:** **** Apr. 6, 2010**

(54) **WHEEL OR WHEEL COVER**

(75) Inventors: **Dirk Juergens**, Munich (DE); **Rainer Mueller**, Munich (DE)

(73) Assignee: **Bayerische Motoren Werke Aktiengesellschaft**, Munich (DE)

(**) Term: **14 Years**

(21) Appl. No.: **29/347,013**

(22) Filed: **Aug. 24, 2009**

(30) **Foreign Application Priority Data**

Feb. 25, 2009 (DE) 40 2009 001 117

(51) **LOC (9) Cl.** **12-16**

(52) **U.S. Cl.** **D12/209**

(58) **Field of Classification Search** D12/204-213;
301/37.101, 64.101, 65, 64.201

See application file for complete search history.

(56) **References Cited**

U.S. PATENT DOCUMENTS

D419,942 S	2/2000	Lampkin	
D451,464 S *	12/2001	Bernoni	D12/209
D491,124 S	6/2004	Rice	
D501,174 S *	1/2005	Kataoka	D12/209
D503,915 S	4/2005	Markefka	
D512,007 S *	11/2005	Sze	D12/209
D528,494 S *	9/2006	Osborne et al.	D12/209
D538,216 S	3/2007	Sycha	
D540,732 S *	4/2007	Metros et al.	D12/211
D544,426 S *	6/2007	Siler	D12/209
D549,633 S	8/2007	Sycha	
D551,146 S	9/2007	Hueller	
D579,396 S *	10/2008	Osborne	D12/209
D581,850 S *	12/2008	Leclercq	D12/209
D583,740 S	12/2008	Frizzi	
D589,864 S	4/2009	Friedrich et al.	

D593,018 S *	5/2009	Juergens et al.	D12/209
D593,920 S *	6/2009	Juergens et al.	D12/209
D597,916 S *	8/2009	Chung	D12/209

FOREIGN PATENT DOCUMENTS

DE	49807825.6	4/1999
EM	000010442-0004	7/2003
EM	000062591-0007	5/2004
EM	000310438-0001	5/2005
EM	000577945-0001	9/2006
EM	000577945-0002	9/2006
EM	000854476-0002	3/2008
EM	000854476-0004	3/2008
EM	000609458-0003	4/2008
EM	000923388-0001	5/2008
EM	000997572-0001	10/2008
EM	000997572-0002	10/2008

* cited by examiner

Primary Examiner—Stacia Cadmus

(74) *Attorney, Agent, or Firm*—Crowell & Moring LLP

(57) **CLAIM**

The ornamental design for a wheel or wheel cover, as shown and described.

DESCRIPTION

This application contains subject matter related to the following pending U.S. design patent application:

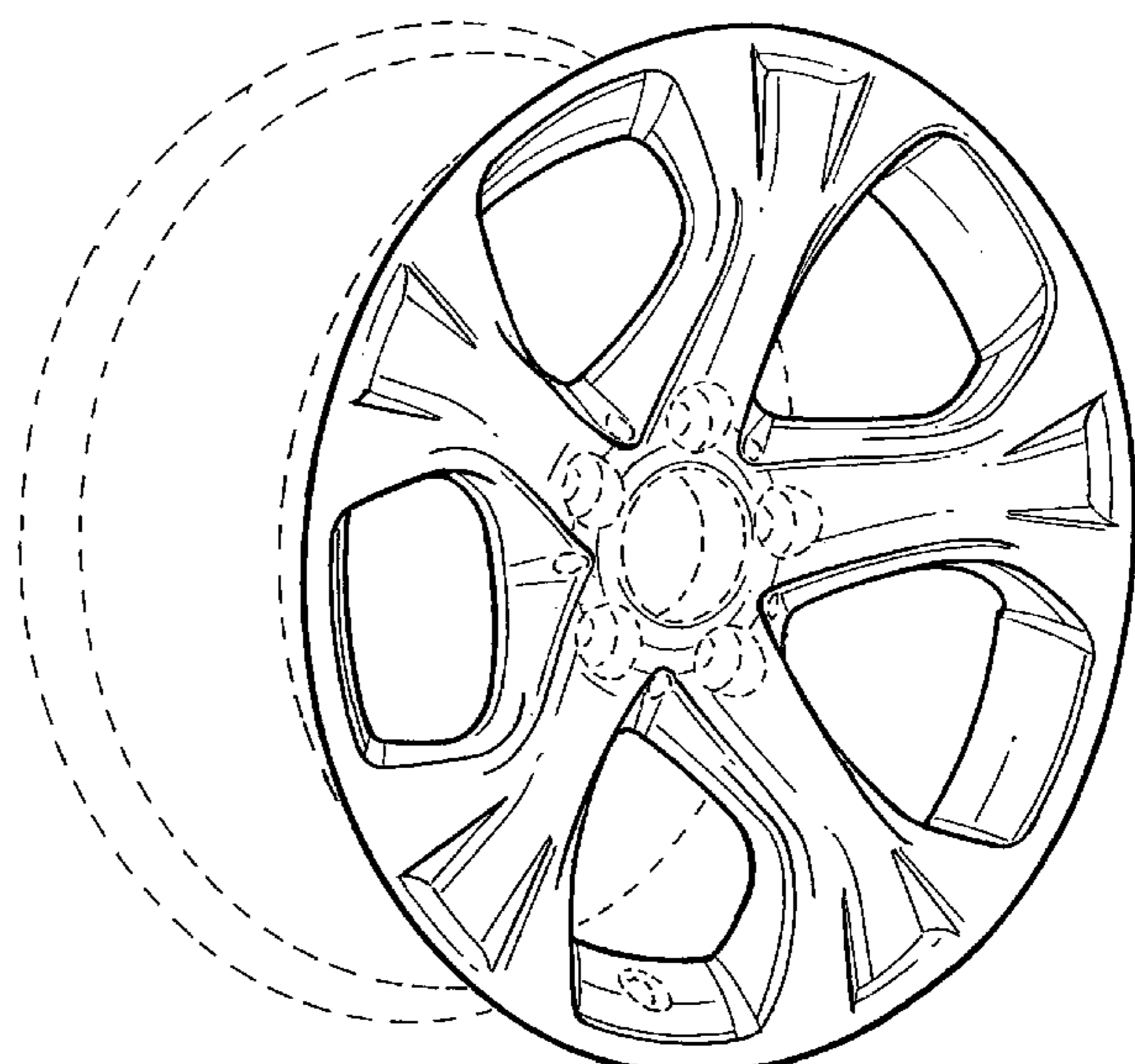
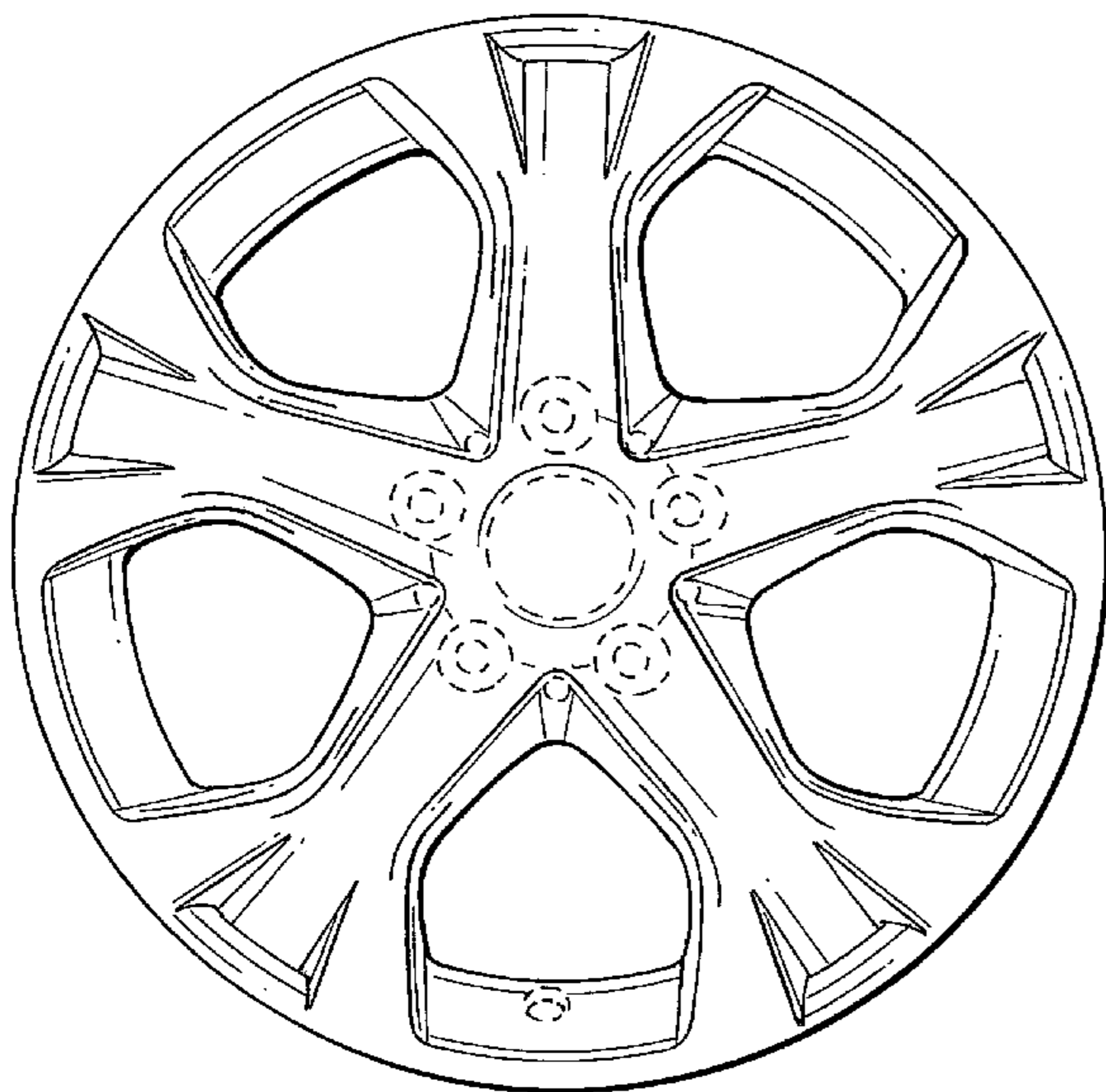
Application Ser. No. 29/347,016.

FIG. 1 is a front view of a wheel or wheel cover according to our design; and,

FIG. 2 is a perspective view thereof.

The broken line showing of the rear of the rim and the bolt holes in the central hub area is included for the purpose of illustrating environment and forms no part of the claimed design.

1 Claim, 1 Drawing Sheet



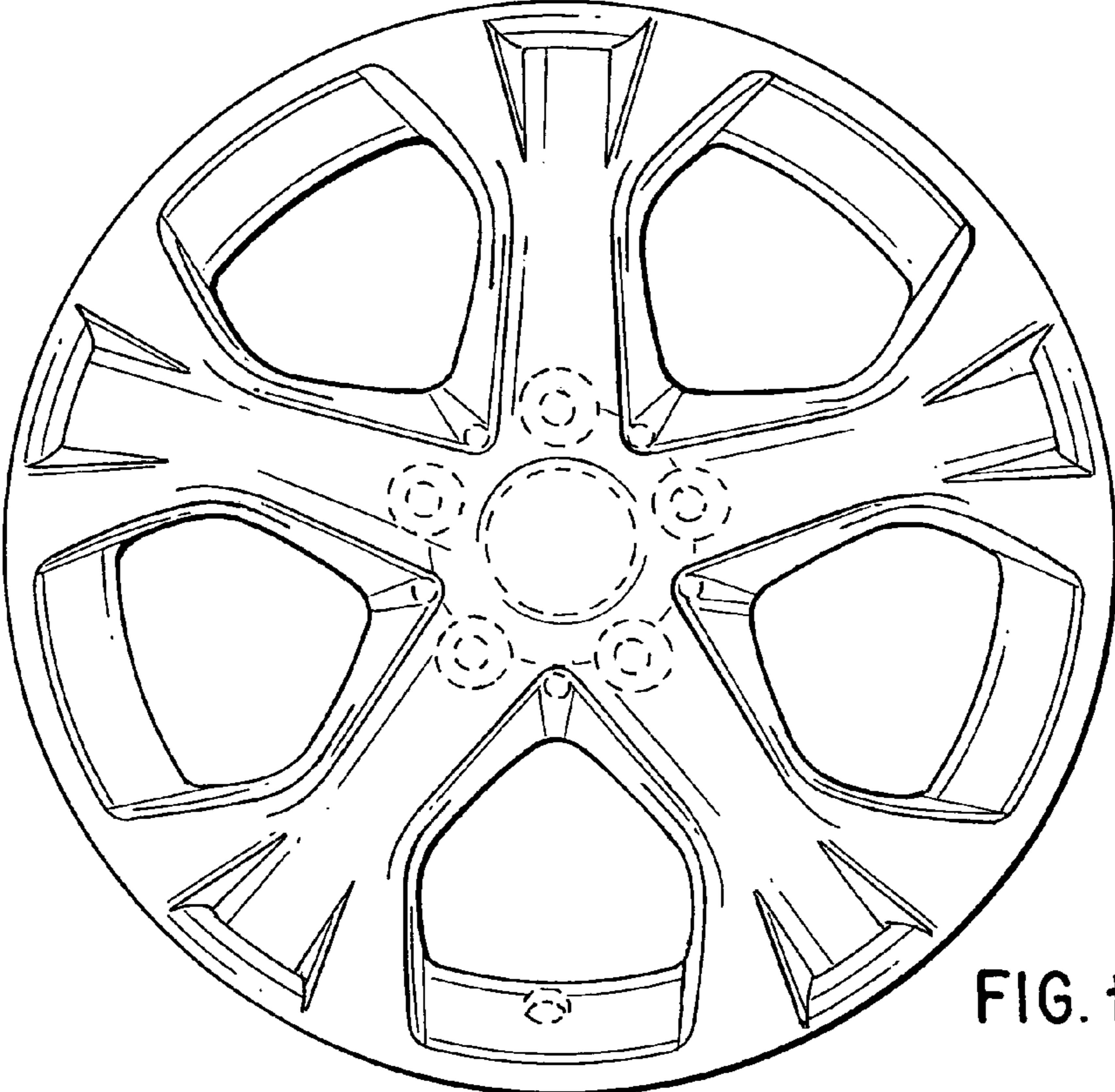


FIG. 1

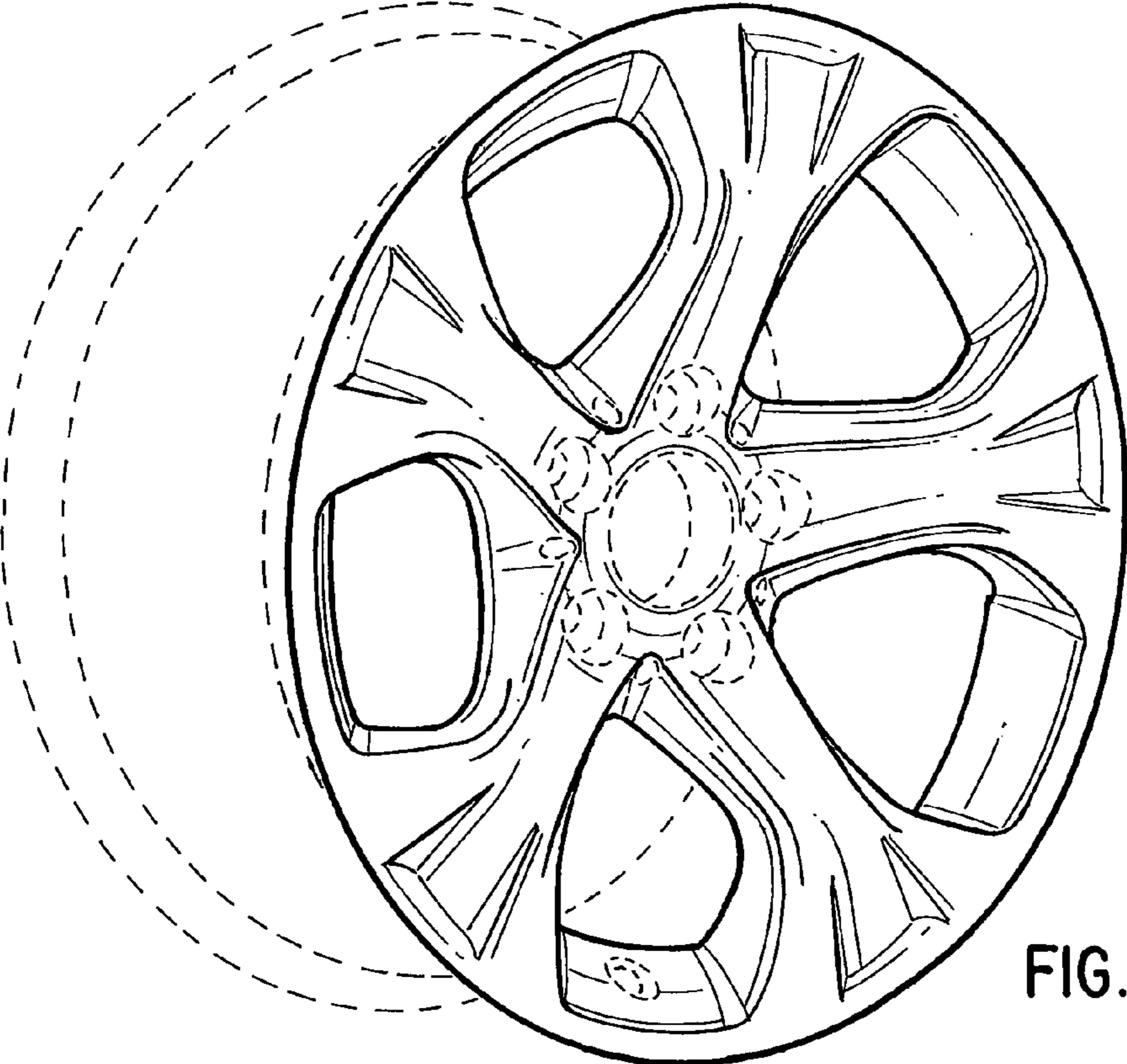


FIG. 2