



US00D613225S

(12) **United States Design Patent**
Wu

(10) **Patent No.:** **US D613,225 S**

(45) **Date of Patent:** **** Apr. 6, 2010**

(54) **AUTOMOBILE TAILGATE**

D528,947 S * 9/2006 Carli et al. D12/126
D541,719 S * 5/2007 McChesney D12/196
D564,954 S * 3/2008 Shimoguchi et al. D12/196

(75) Inventor: **Hua-Chi Wu**, Tainan (TW)

(73) Assignee: **Coplus Inc.**, Tainan Hsien (TW)

* cited by examiner

(**) Term: **14 Years**

Primary Examiner—Melody N Brown
(74) *Attorney, Agent, or Firm*—Christie, Parker & Hale, LLP.

(21) Appl. No.: **29/344,181**

(22) Filed: **Sep. 24, 2009**

(57) **CLAIM**

(51) **LOC (9) Cl.** **12-16**

(52) **U.S. Cl.** **D12/196**

(58) **Field of Classification Search** D12/196,
D12/98, 93; 296/57.1, 3, 37.1, 37.6, 183.1
See application file for complete search history.

The ornamental design for an automobile tailgate, as shown and described.

DESCRIPTION

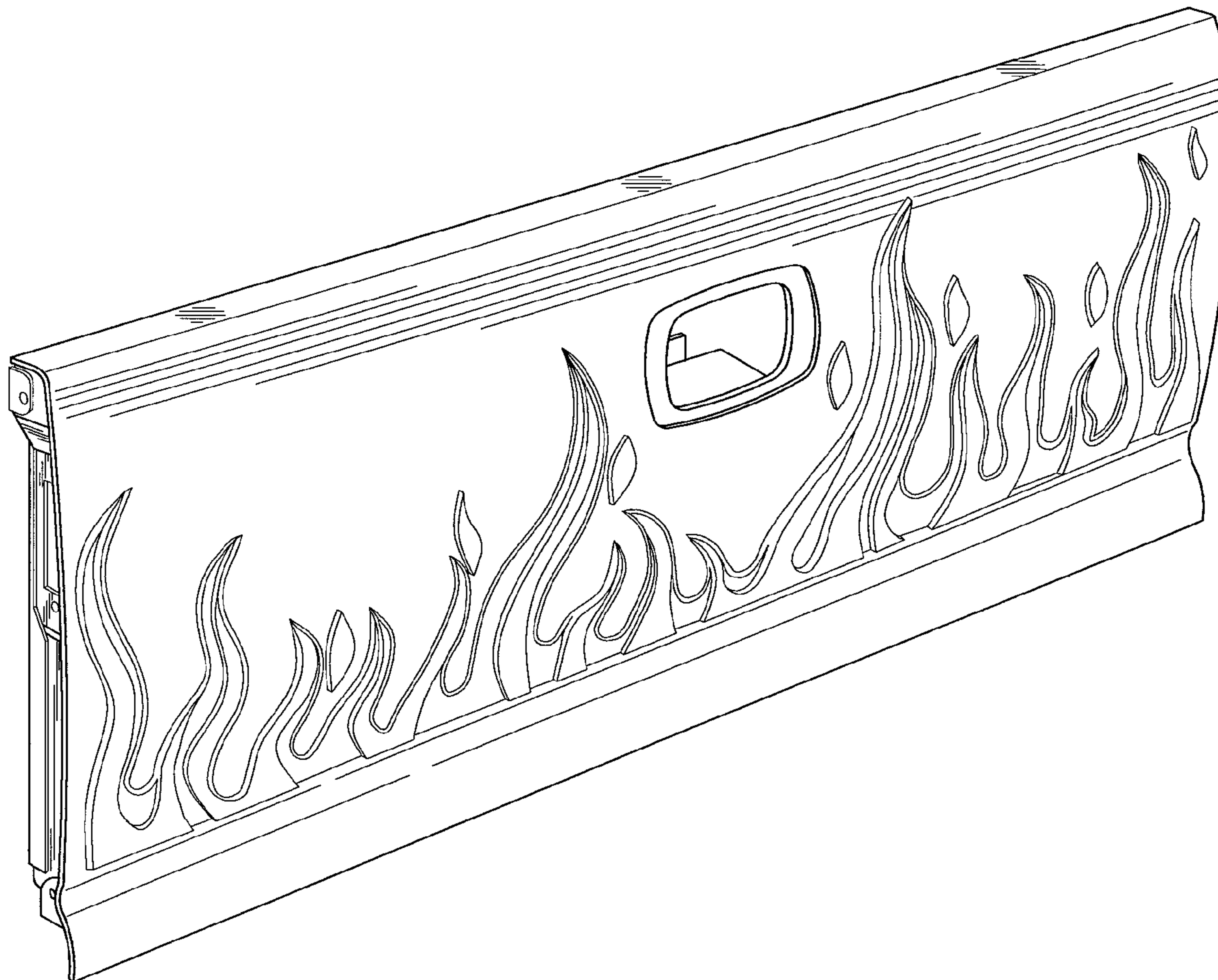
(56) **References Cited**

U.S. PATENT DOCUMENTS

D454,096 S * 3/2002 Marchese et al. D12/163
D480,998 S * 10/2003 DeBerti D12/187
D494,112 S * 8/2004 Marchese et al. D12/163
D507,516 S * 7/2005 Marchese et al. D12/196
D520,426 S * 5/2006 Fisker et al. D12/196
D527,697 S * 9/2006 Metros et al. D12/196

FIG. 1 is a perspective view of an automobile tailgate;
FIG. 2 is a front end view thereof;
FIG. 3 is a right side view thereof;
FIG. 4 is a left side view thereof;
FIG. 5 is a rear end view thereof;
FIG. 6 is a top view thereof; and,
FIG. 7 is a bottom view thereof.

1 Claim, 5 Drawing Sheets



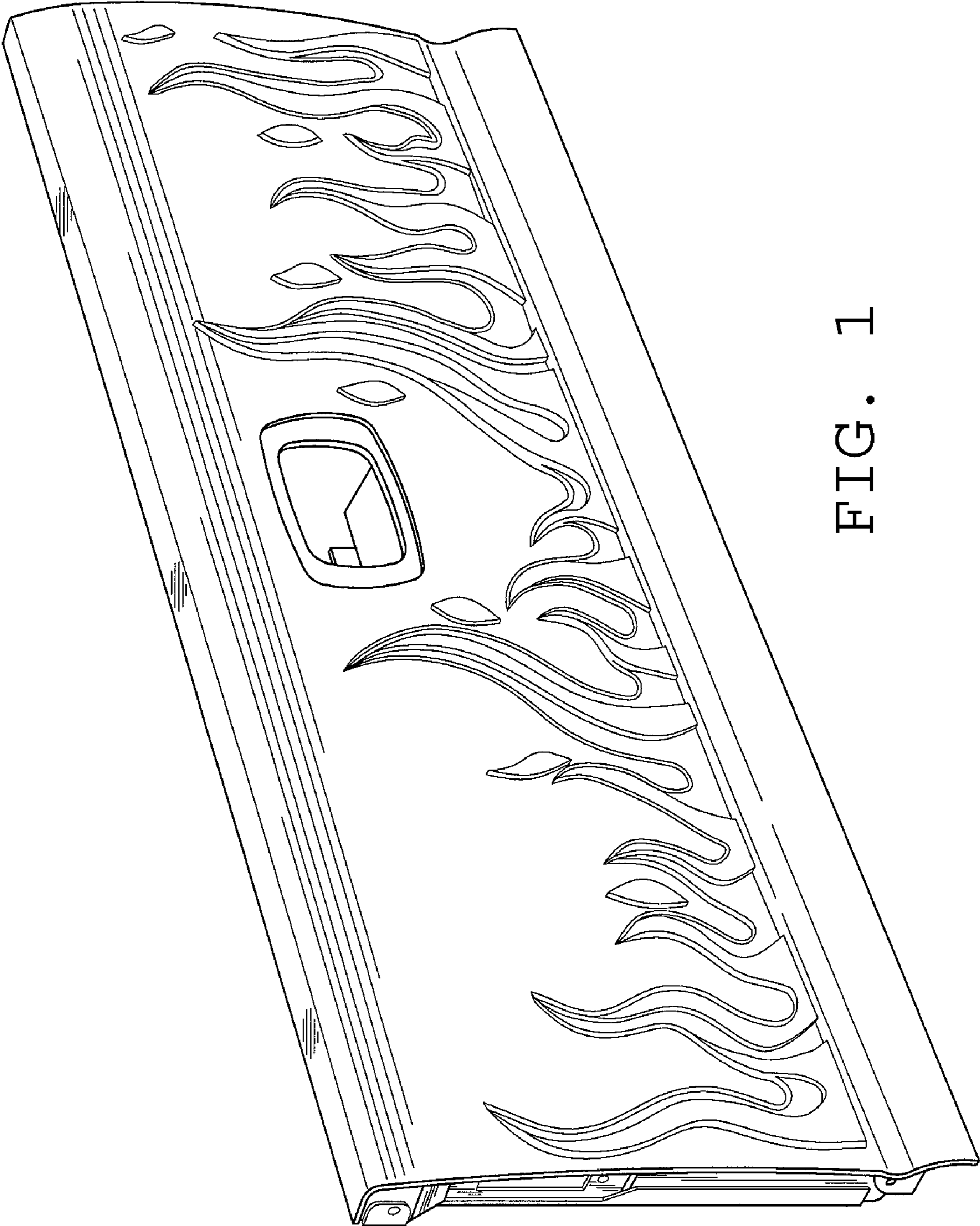


FIG. 1

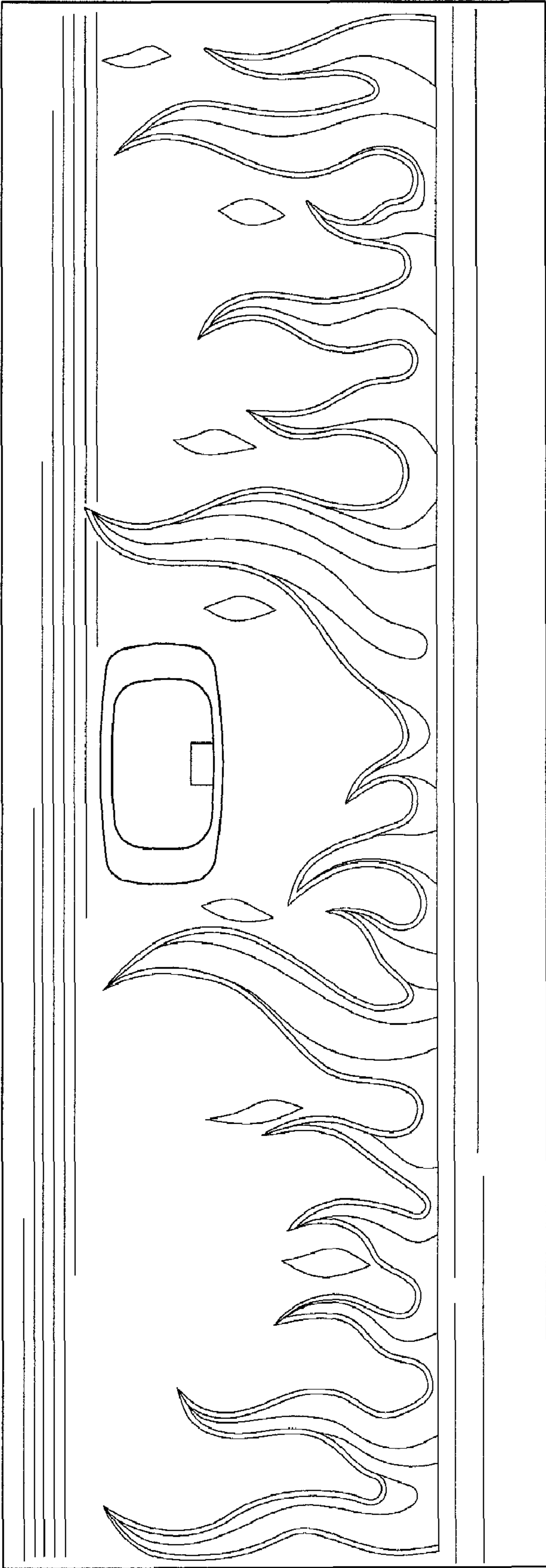


FIG. 2

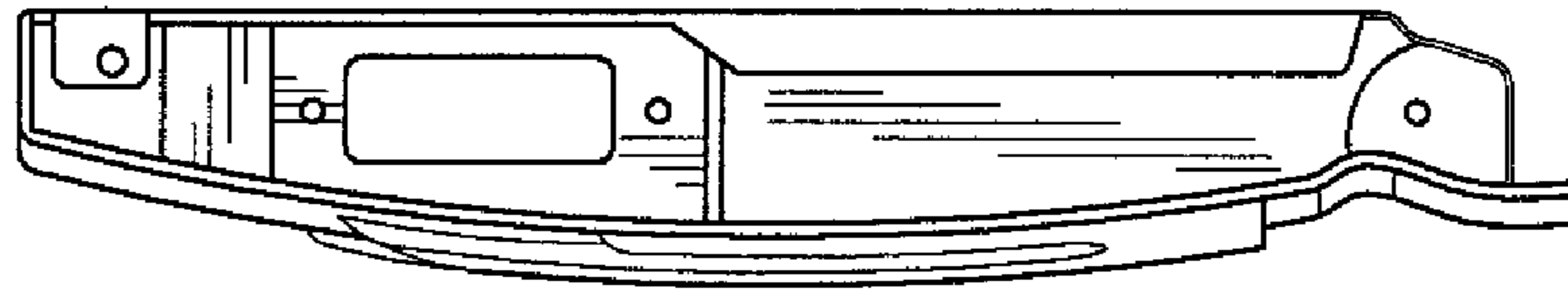


FIG. 3

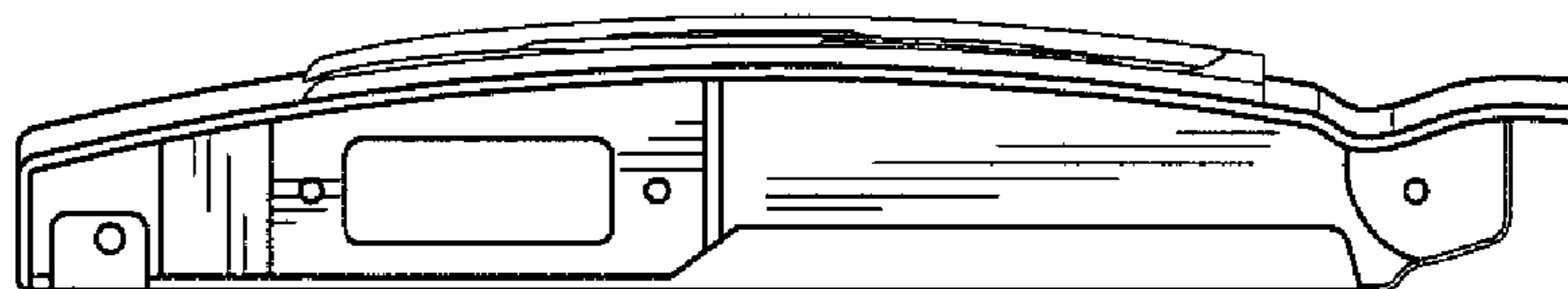


FIG. 4

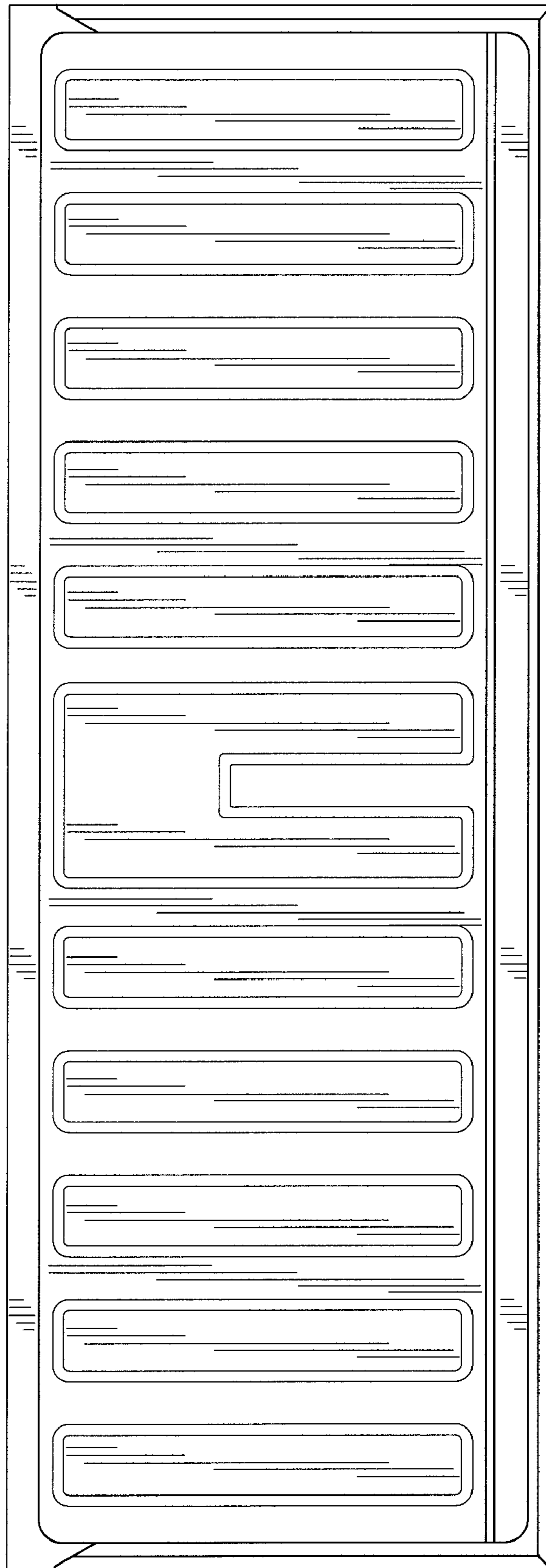


FIG. 5

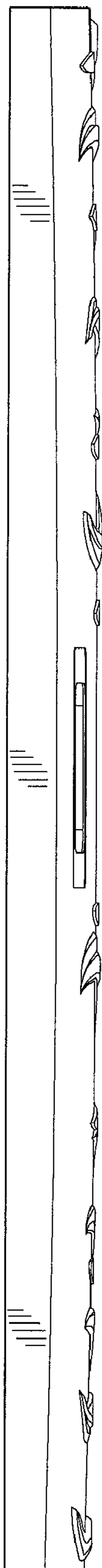


FIG. 6

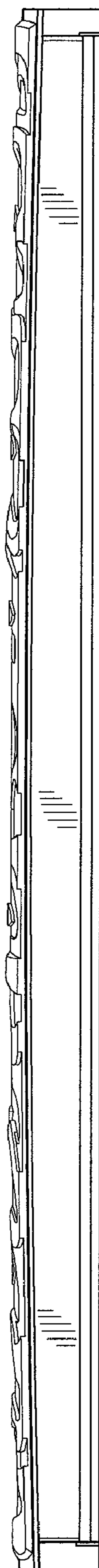


FIG. 7