



US00D613223S

(12) **United States Design Patent**
Emler

(10) **Patent No.:** **US D613,223 S**
(45) **Date of Patent:** **** Apr. 6, 2010**

(54) **RESONANCE CHAMBER AXIALLY
DISPOSED ON AN EMISSION SYSTEM
CONDUIT**

D581,335 S * 11/2008 Contreras D12/194
7,464,787 B2 * 12/2008 Davis, Jr. 181/227
7,506,722 B2 3/2009 Emler
7,510,050 B2 3/2009 Emler
7,552,797 B2 6/2009 Luttig
2005/0139417 A1* 6/2005 Quast 181/227

(76) Inventor: **Don Emler**, 18033 S. Santa Fe Ave.,
Rancho Dominguez, CA (US) 90221

(**) Term: **14 Years**

(21) Appl. No.: **29/339,826**

(22) Filed: **Jul. 8, 2009**

(51) **LOC (9) Cl.** **12-16**

(52) **U.S. Cl.** **D12/194**

(58) **Field of Classification Search** D12/194,
D12/190, 400, 114; D15/5; D21/145, 147;
280/152.1-152.3, 160.1, 304.3, 770, 848,
280/552; 181/239-243, 227, 249, 255, 228,
181/247, 252, 284; 60/323, 276, 272; 123/41.73,
123/41.7, 184.34, 184.36

See application file for complete search history.

(56) **References Cited**

U.S. PATENT DOCUMENTS

D165,057 S * 11/1951 Deremer D12/194
4,537,278 A * 8/1985 Okada et al. 181/227
4,693,338 A * 9/1987 Clerc 181/231
4,756,383 A * 7/1988 Sterrett 181/243
6,415,889 B1 * 7/2002 Wyatt 181/282
D488,755 S * 4/2004 Kulla D12/194
6,827,173 B2 * 12/2004 Lai 180/309
6,892,852 B2 * 5/2005 Klein 181/227
7,044,266 B2 * 5/2006 Petracek 181/269
D534,848 S * 1/2007 Murkett D12/194
7,331,422 B2 * 2/2008 Wall 181/279
7,380,397 B2 * 6/2008 Chang 60/324
D574,309 S * 8/2008 Unfried et al. D12/194
D575,213 S * 8/2008 Kryssing et al. D12/194
D578,050 S * 10/2008 Hsu D12/194

OTHER PUBLICATIONS

U.S. Appl. No. 29/339,825, filed Jul. 8, 2009, 1 page.
U.S. Appl. No. 29/339,827, filed Jul. 8, 2009, 1 page.

* cited by examiner

Primary Examiner—Robert M Spear
Assistant Examiner—Cynthia Underwood
(74) *Attorney, Agent, or Firm*—Shook Hardy & Bacon, LLP

(57) **CLAIM**

The ornamental design for a resonance chamber axially disposed on an emission system conduit, as shown and described.

DESCRIPTION

FIG. 1 is a perspective view of a resonance chamber of the present invention;

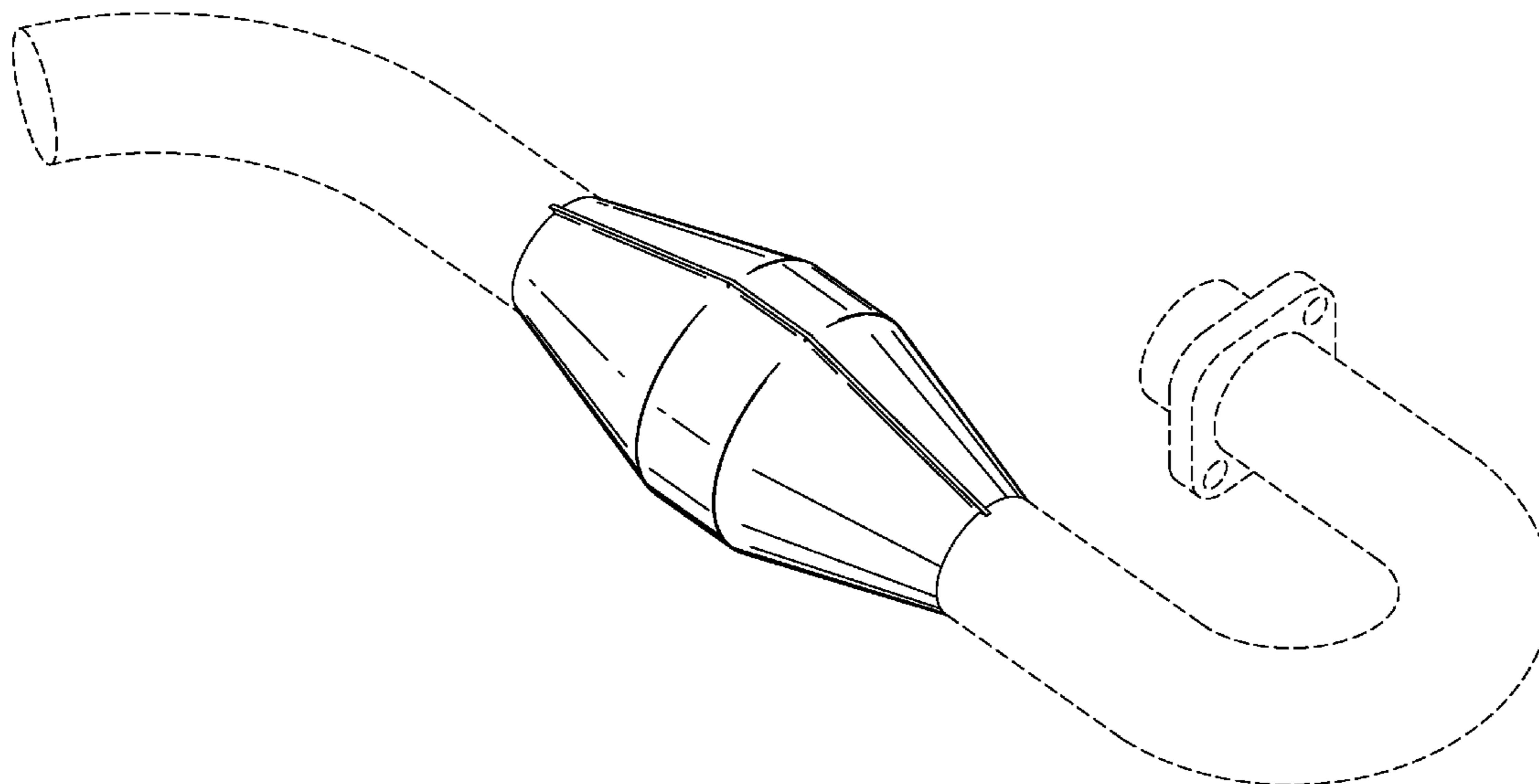
FIG. 2 is a right side elevational view thereof, a left side elevation view thereof being a mirror image thereof;

FIG. 3 is a top plan view thereof, a bottom plan view thereof being a mirror image thereof; and,

FIG. 4 is a front side elevation view thereof, a back side elevational view thereof being a mirror image thereof.

The broken lines shown in the drawings are directed toward environment, are for informational purposes only, and form no part of the claimed design. The boundary lines of the conduit are shown in evenly spaced, dashed lines and are not intended to form part of the claimed design.

1 Claim, 2 Drawing Sheets



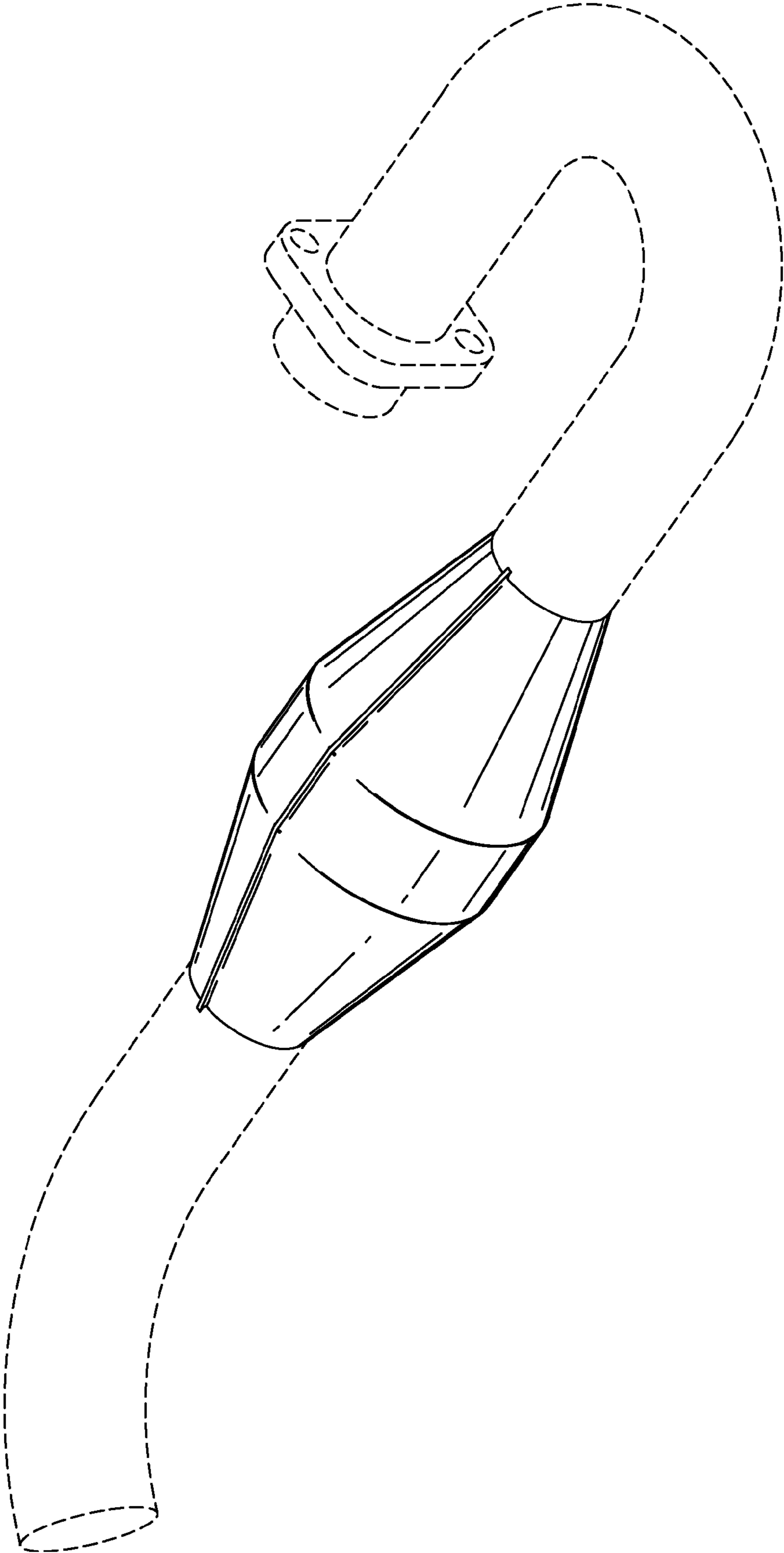


FIG. 1

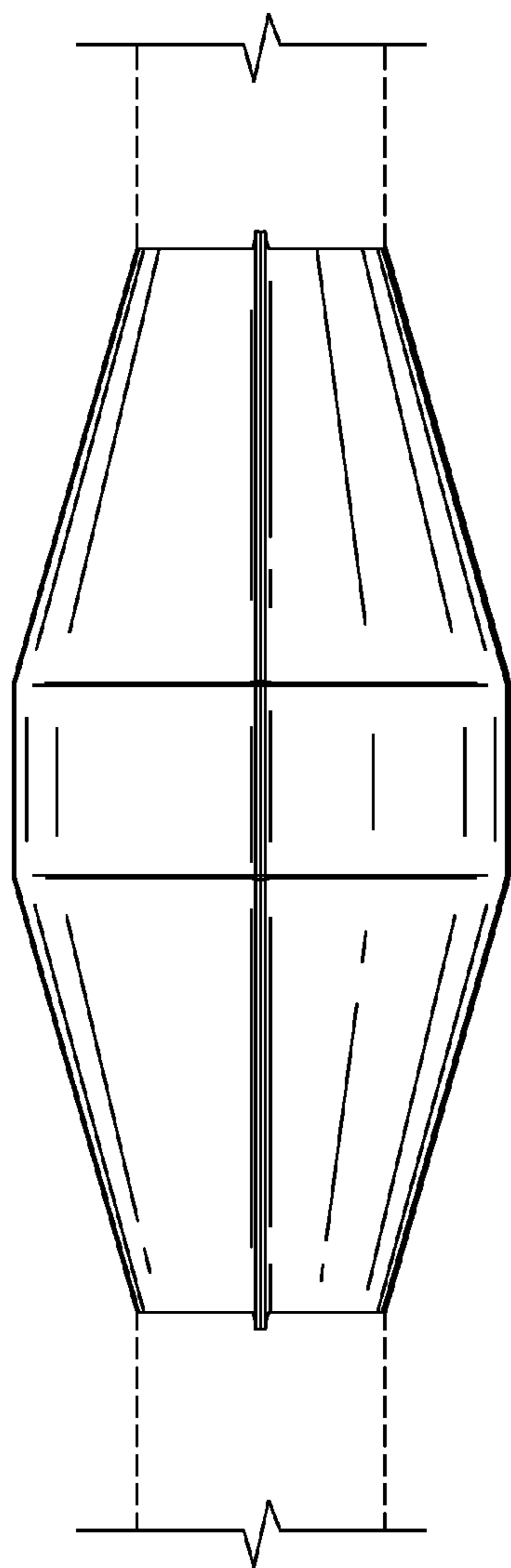


FIG. 3

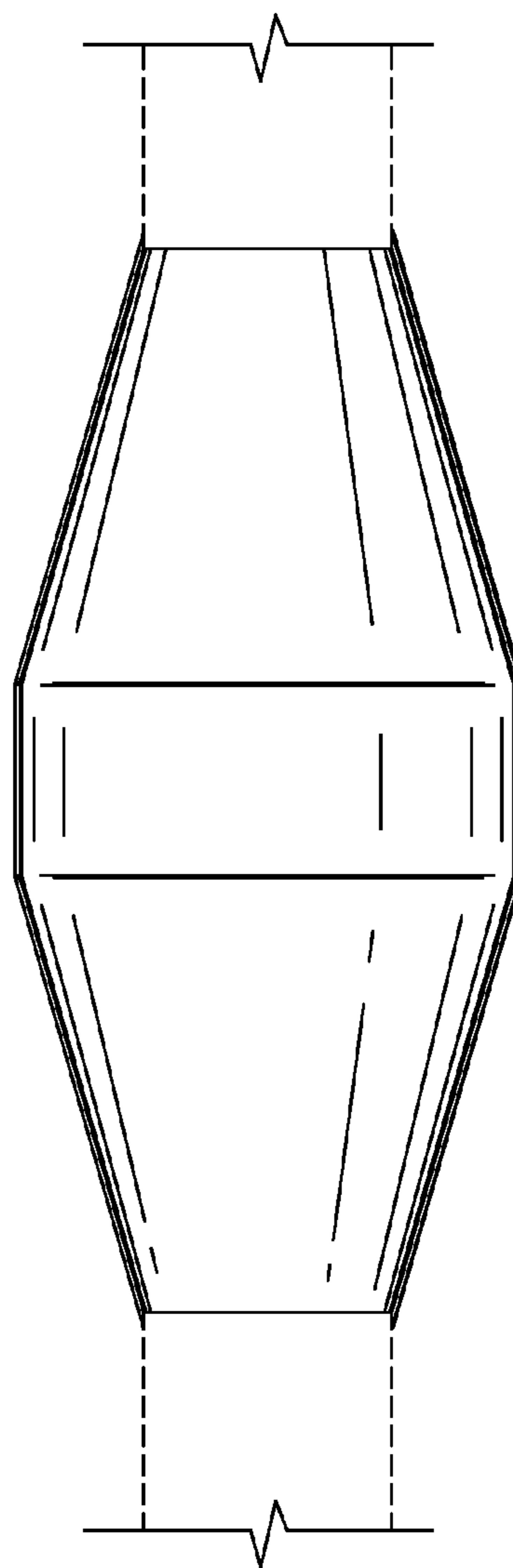


FIG. 4

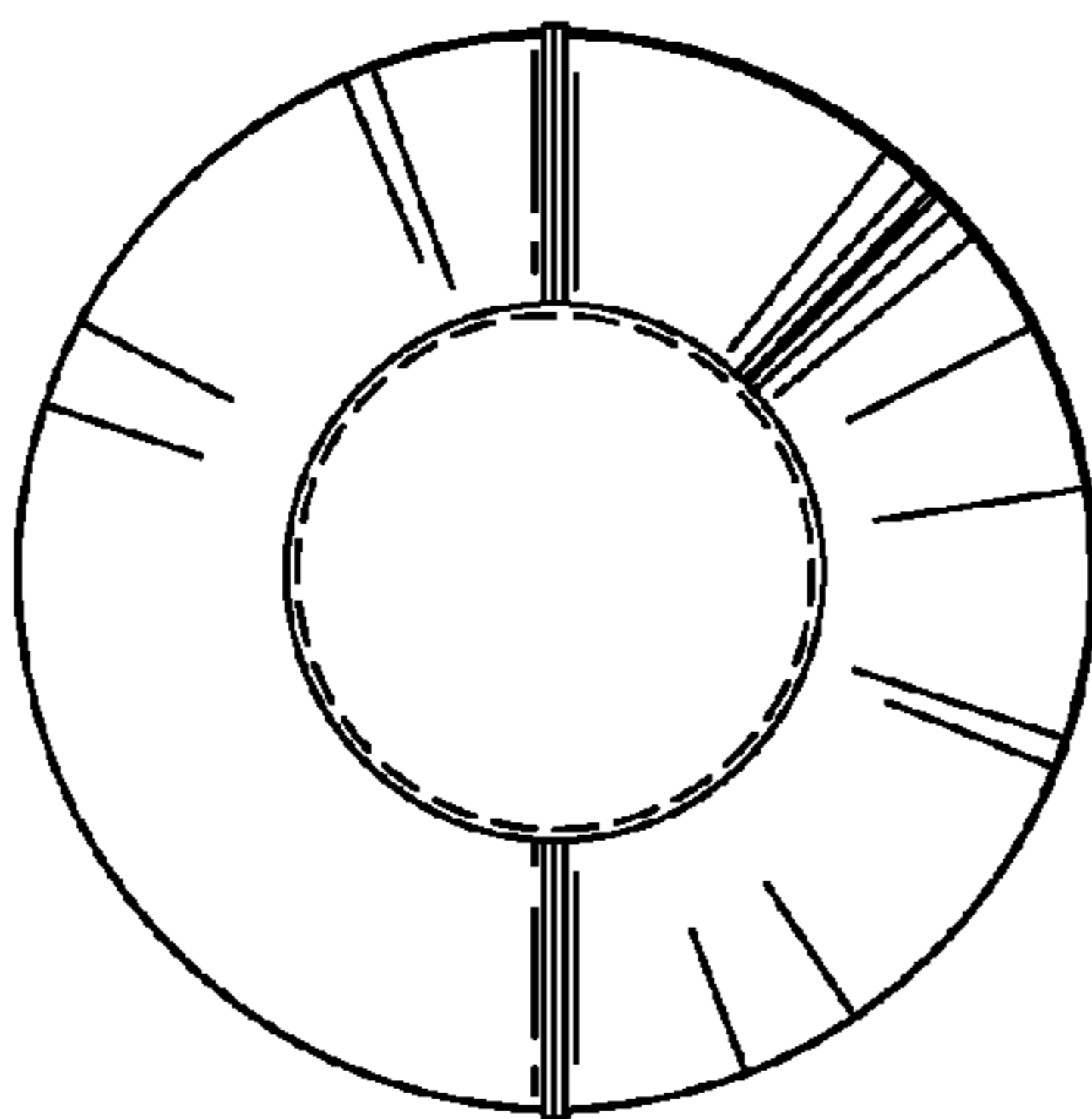


FIG. 2