



US00D613220S

(12) **United States Design Patent**  
**Ikeda et al.**

(10) **Patent No.:** **US D613,220 S**  
(45) **Date of Patent:** **\*\* Apr. 6, 2010**

(54) **PAIR OF VEHICLE BODY TRIM PIECES**

(75) Inventors: **Jiro Ikeda**, Manhattan Beach, CA (US);  
**Roger Brown**, Corona, CA (US)

(73) Assignee: **Honda Motor Co., Ltd.**, Tokyo (JP)

(\*\*) Term: **14 Years**

(21) Appl. No.: **29/298,831**

(22) Filed: **Dec. 13, 2007**

(51) **LOC (9) Cl.** ..... **12-08**

(52) **U.S. Cl.** ..... **D12/190**

(58) **Field of Classification Search** ..... D12/190,  
D12/181, 400, 90, 91, 92, 114, 199, 196,  
D12/197, 86, 171, 172, 173, 169, 163; D11/211,  
D11/81, 157, 133, 172; 293/102, 115, 1.07-1.08;  
D20/11, 23, 24, 25; 40/760, 591-594; 428/98-99,  
428/31

See application file for complete search history.

(56) **References Cited**

**U.S. PATENT DOCUMENTS**

- D160,548 S \* 10/1950 Sheard ..... D12/190
- D176,259 S \* 12/1955 Holls ..... D12/190
- D183,103 S \* 6/1958 McKichan ..... D12/190
- 3,659,987 A \* 5/1972 Mixell et al. .... 425/97
- 5,063,014 A \* 11/1991 Cakmakci ..... 264/151

- 5,267,763 A \* 12/1993 Klein ..... 293/128
- D447,983 S \* 9/2001 Stoddard et al. .... D12/91
- 6,318,045 B1 \* 11/2001 Kress ..... 52/716.6
- D484,080 S \* 12/2003 Yamamoto et al. .... D12/190

\* cited by examiner

*Primary Examiner*—Caron Veynar

*Assistant Examiner*—Katrina A Kile

(74) *Attorney, Agent, or Firm*—Plumsea Law Group, LLC;  
Mark E. Duell

(57) **CLAIM**

The ornamental design for a pair of vehicle body trim pieces,  
as shown and described.

**DESCRIPTION**

FIG. 1 is an elevational view of a left side body trim piece  
showing a first embodiment of our new design;

FIG. 2 is a front perspective view thereof;

FIG. 3 is a rear perspective view thereof;

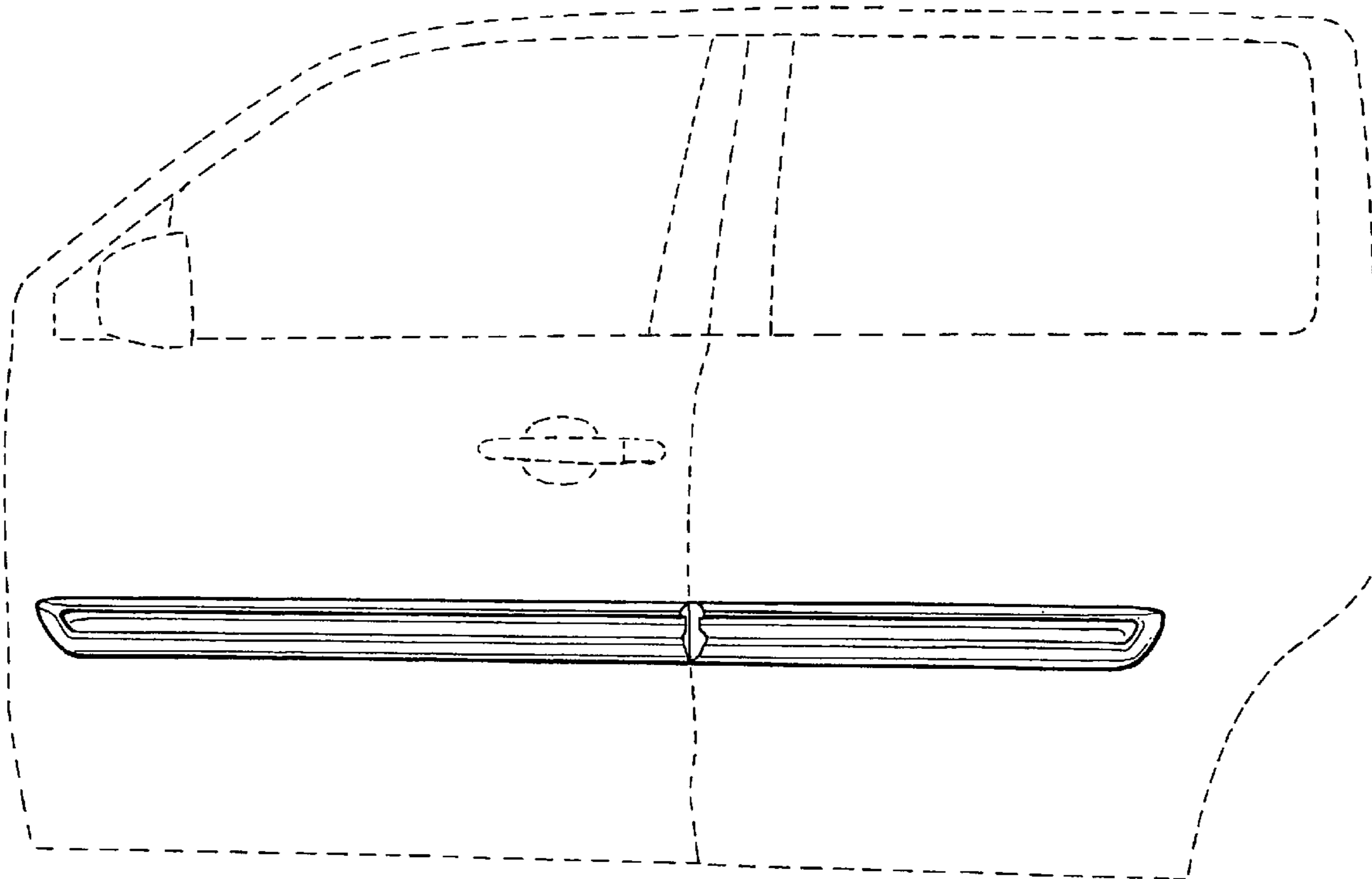
FIG. 4 is an elevational view of a right side body trim piece  
showing a second embodiment of our new design;

FIG. 5 is a front perspective view thereof; and,

FIG. 6 is a rear perspective view thereof.

In FIGS. 1 and 4, the broken lines show portions of an auto-  
mobile and form no part of the claimed design.

**1 Claim, 6 Drawing Sheets**



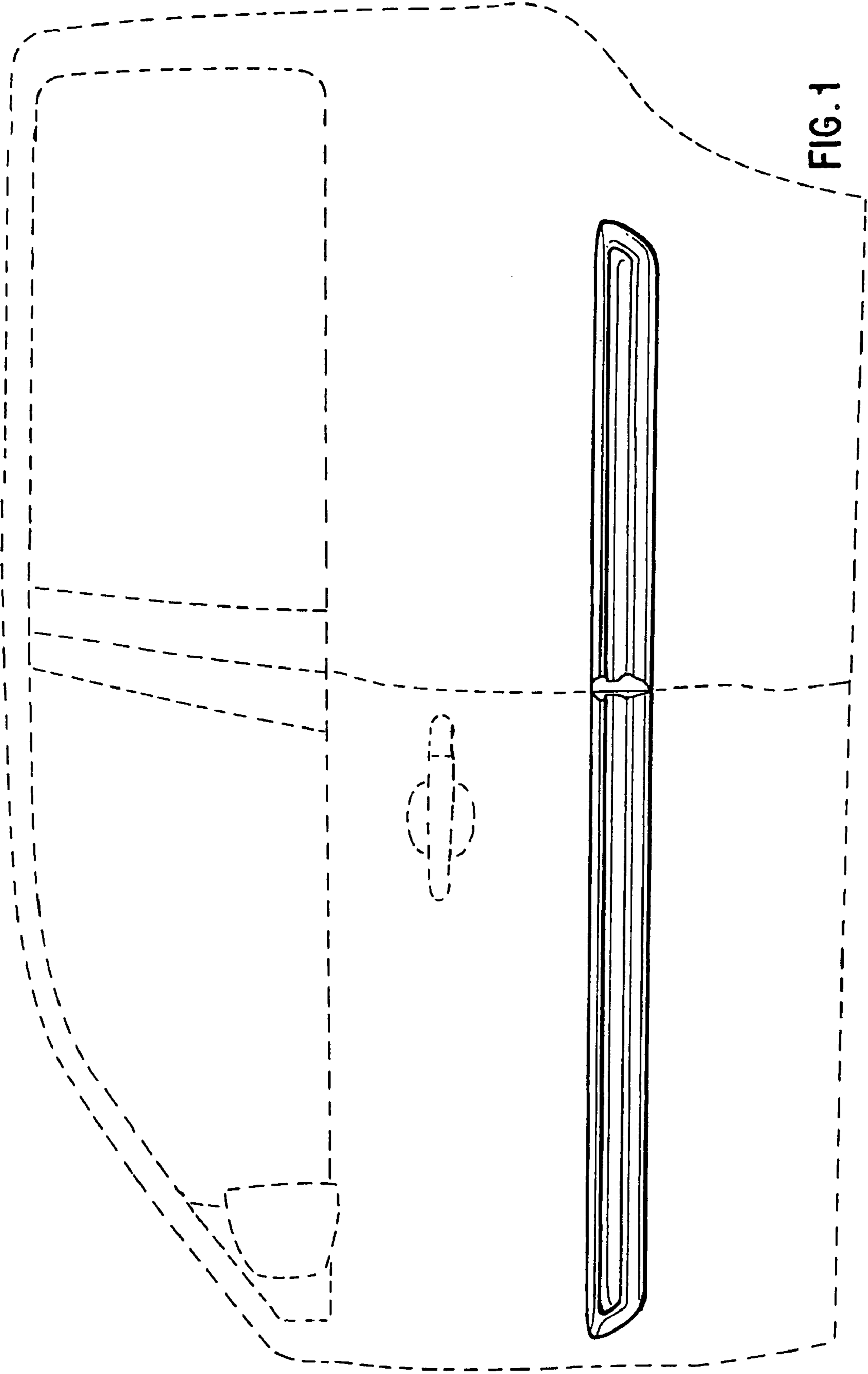


FIG. 1

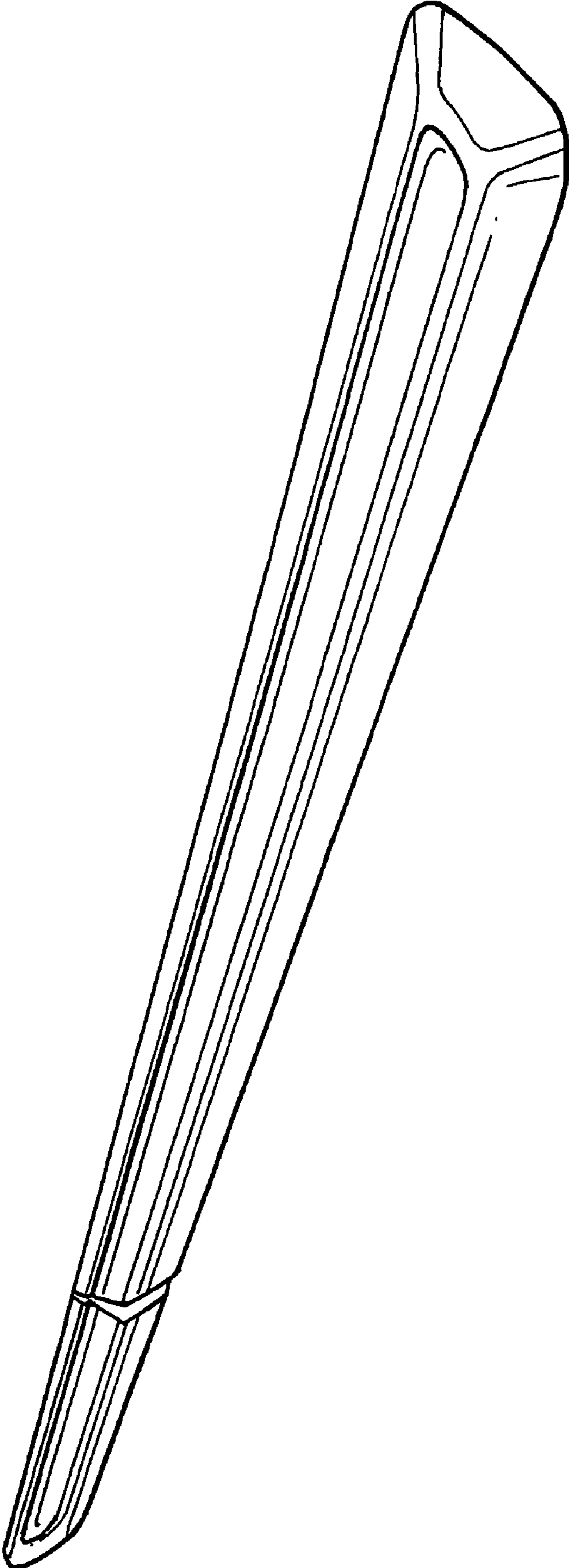


FIG. 2

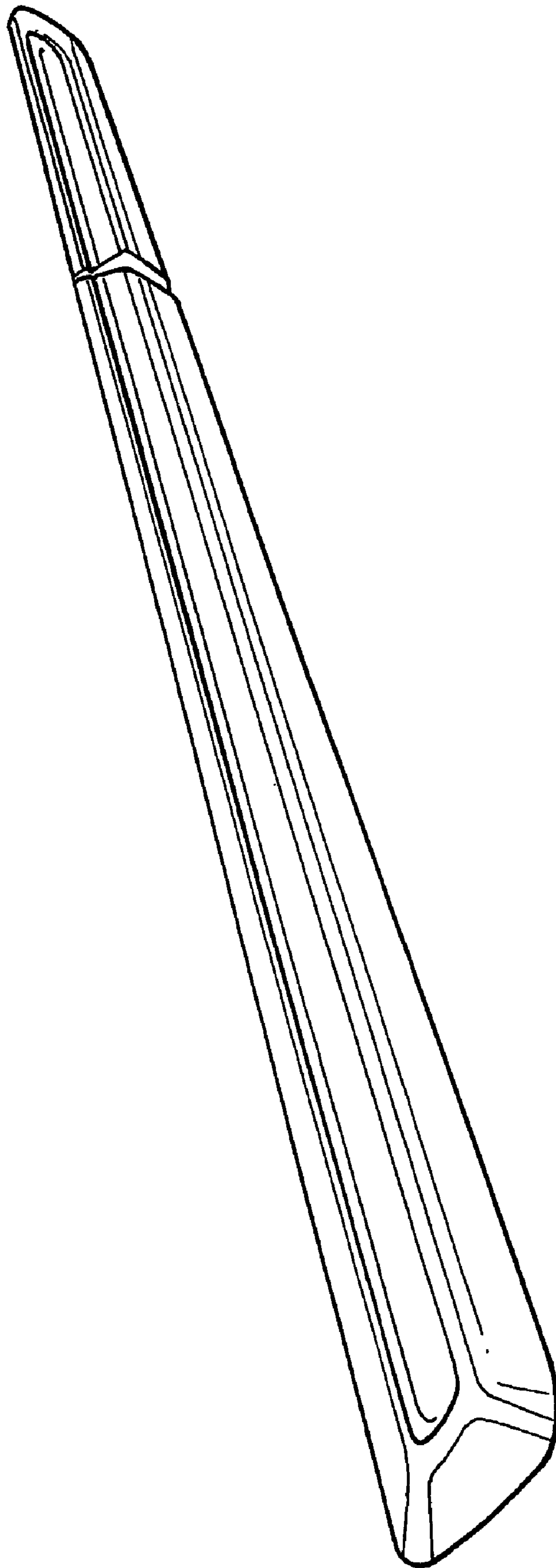


FIG . 3

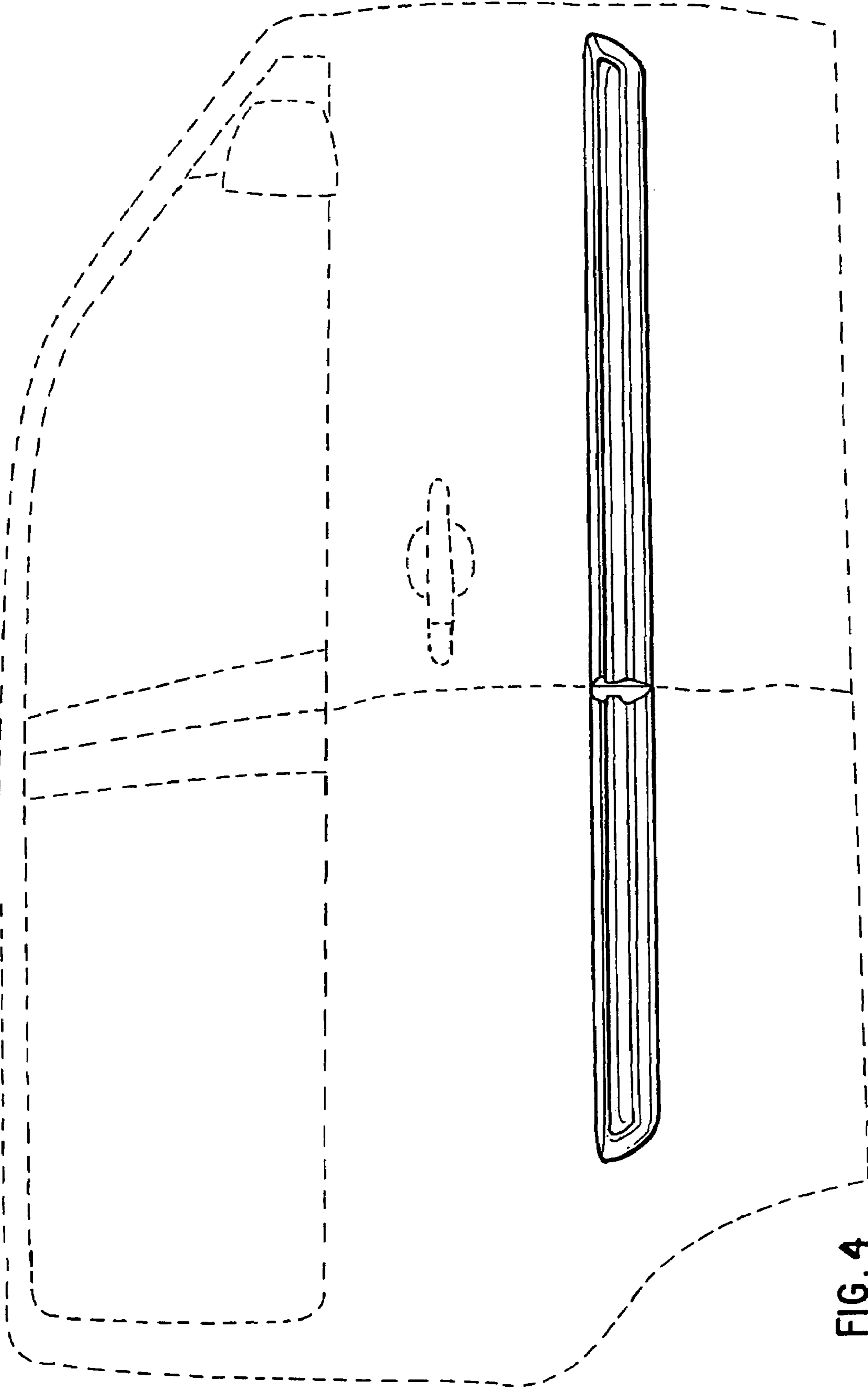


FIG. 4

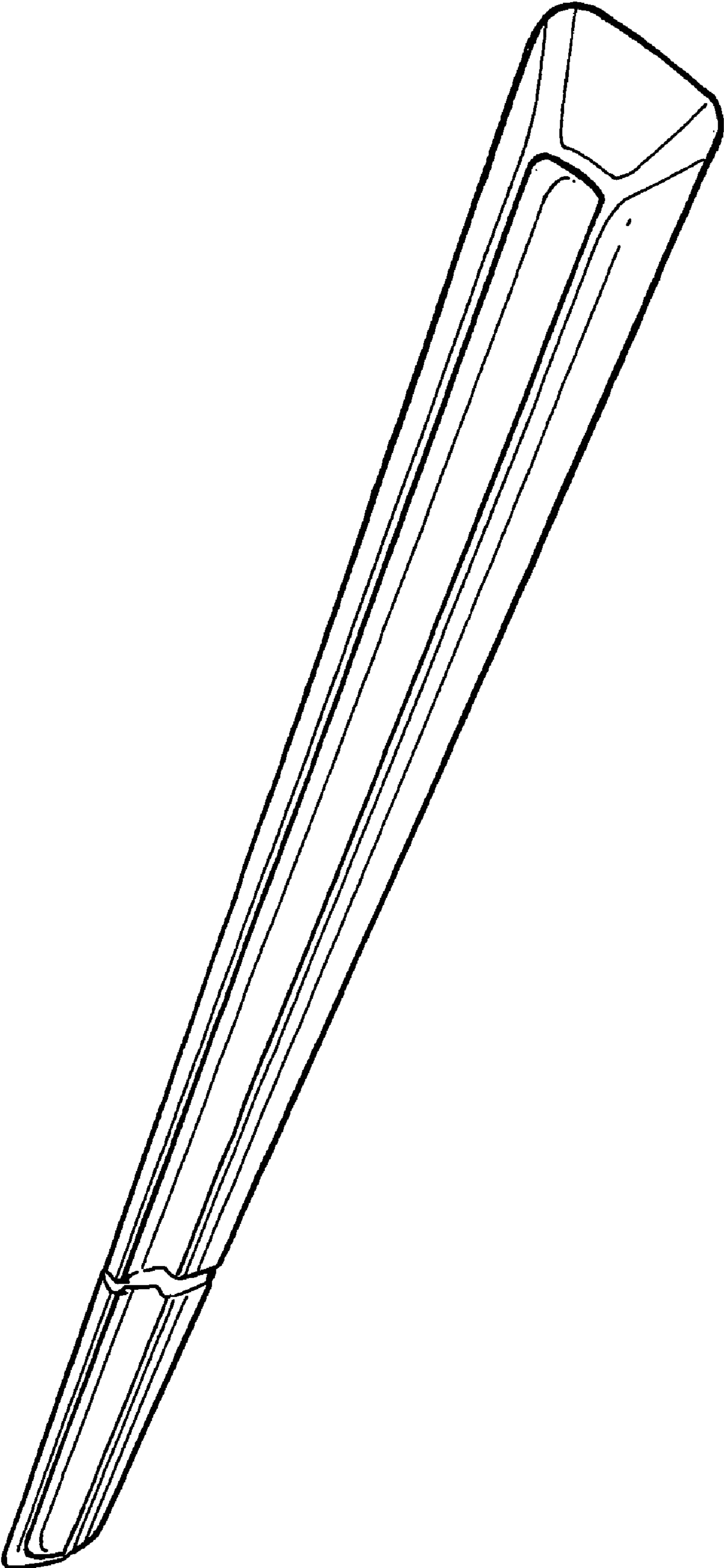


FIG. 5

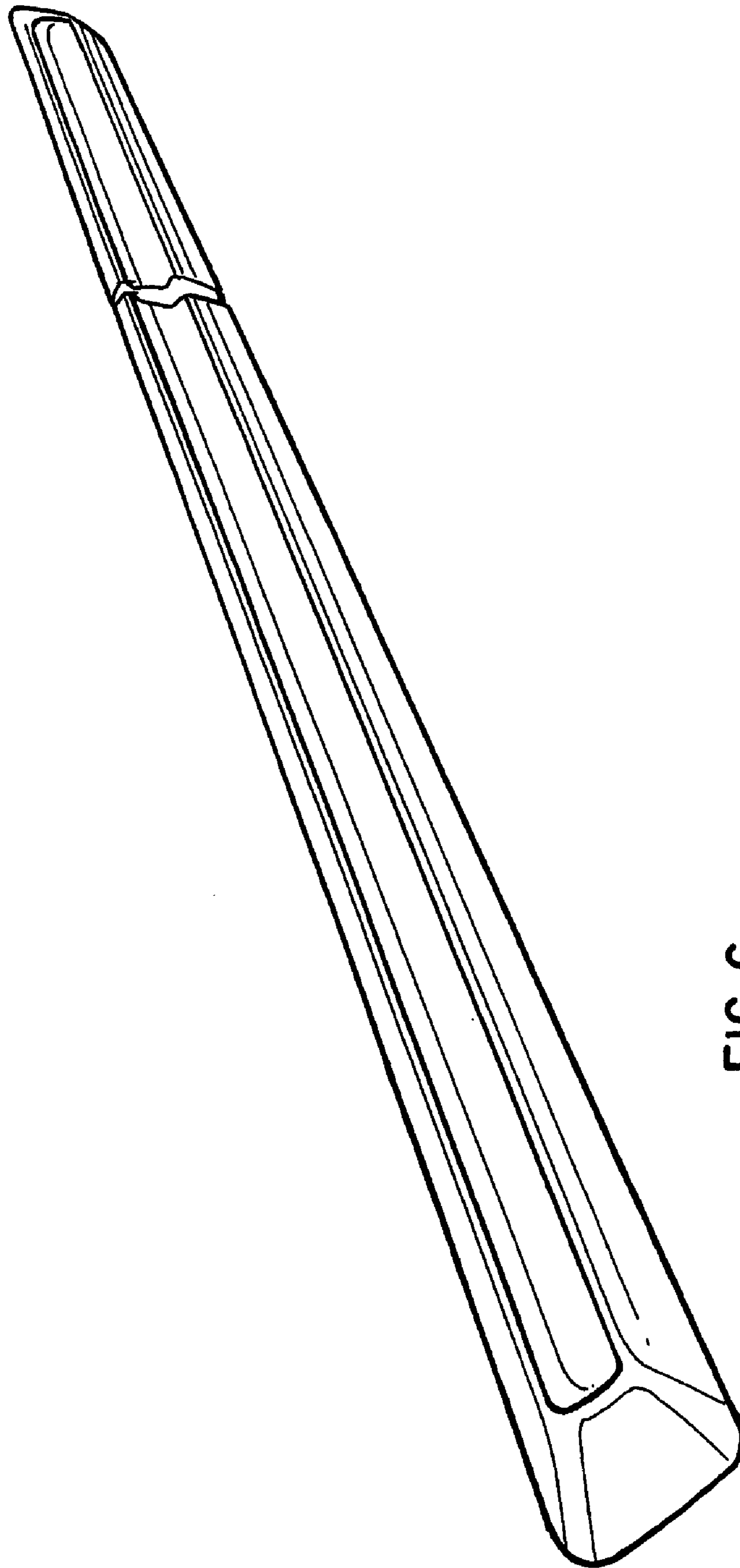


FIG. 6