



US00D613209S

(12) **United States Design Patent**
Elliott et al.

(10) **Patent No.:** **US D613,209 S**

(45) **Date of Patent:** **** Apr. 6, 2010**

(54) **VEHICLE UPPER GRILLE**

(75) Inventors: **Peter Elliott**, Pascoe Vale (AU); **David Carl Dewitt**, Ivanhoe (AU); **Craig S. Metros**, Melbourne (AU); **Scott Strong**, Warrandyte (AU)

(73) Assignee: **Ford Global Technologies, LLC**, Dearborn, MI (US)

(**) Term: **14 Years**

(21) Appl. No.: **29/342,232**

(22) Filed: **Aug. 20, 2009**

(51) **LOC (9) Cl.** **12-16**

(52) **U.S. Cl.** **D12/163**

(58) **Field of Classification Search** D12/163,
D12/196, 171, 169, 216, 90-92, 86; 180/68.1,
180/68.6; 296/193.11

See application file for complete search history.

(56) **References Cited**

U.S. PATENT DOCUMENTS

D514,989 S *	2/2006	Young	D12/163
D527,317 S *	8/2006	Karikomi	D12/163
D555,550 S *	11/2007	Schiavone et al.	D12/163
D561,068 S *	2/2008	Golden et al.	D12/163
D590,754 S *	4/2009	Woolley et al.	D12/163

OTHER PUBLICATIONS

Ford Ranger 3.0 TDCI Wild Track Melbourne, Australia 2009, Feb. 27, 2009 <http://www.facts.ford.com>.

Houston Cars, May 19, 2009, 2012 Ford Ranger Spy Shots <http://www.houstoncars.org/2012-ford-ranger-spy-shots.php>.

The Grayline, Jun. 10, 2009, 2012 Ford Ranger Spy Pic <http://the-grayline.com/2009/06/10/2012-ford-ranger-spy-pic>.

* cited by examiner

Primary Examiner—Melody N Brown

(74) *Attorney, Agent, or Firm*—Damian Porcari

(57) **CLAIM**

The ornamental design of a vehicle upper grille, as shown and described.

DESCRIPTION

FIG. 1 is a front elevational view of a right vehicle upper grille showing my new design;

FIG. 2 is a right side elevational view of the vehicle upper grille;

FIG. 3 is a left side elevational view of the vehicle upper grille;

FIG. 4 is a top plan view of the vehicle upper grille;

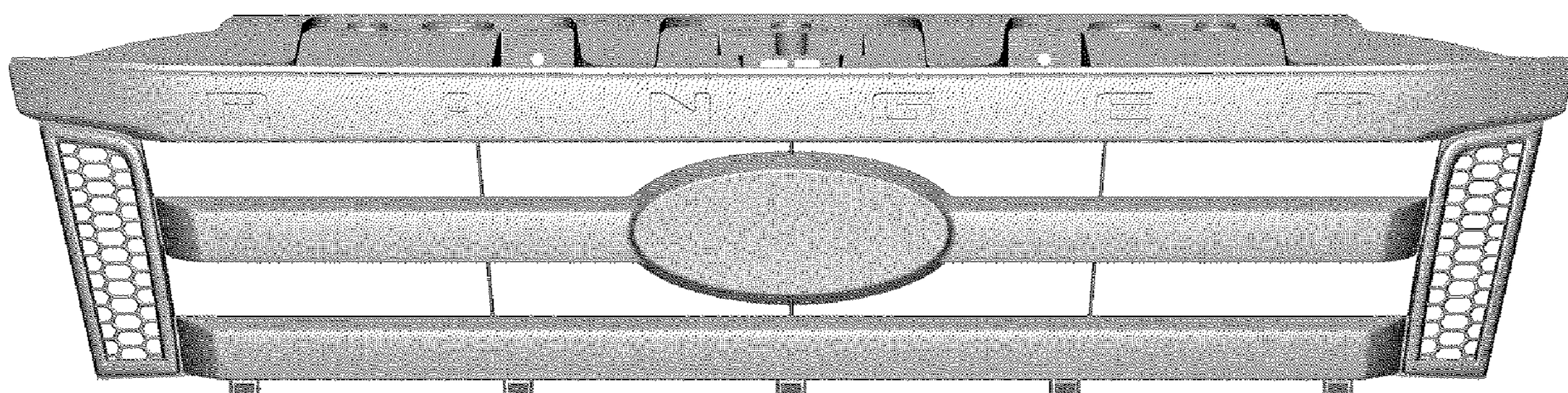
FIG. 5 is bottom plan view of the vehicle upper grille;

FIG. 6 is a rear elevational view of the vehicle upper grille; and,

FIG. 7 is a perspective view of the vehicle upper grille.

Views are orthogonal projections unless otherwise noted. The various views are not necessarily to scale in order to better illustrate the design. The drawings were generated using Computer Aided Design tools. The word “RANGER” is not claimed.

1 Claim, 7 Drawing Sheets



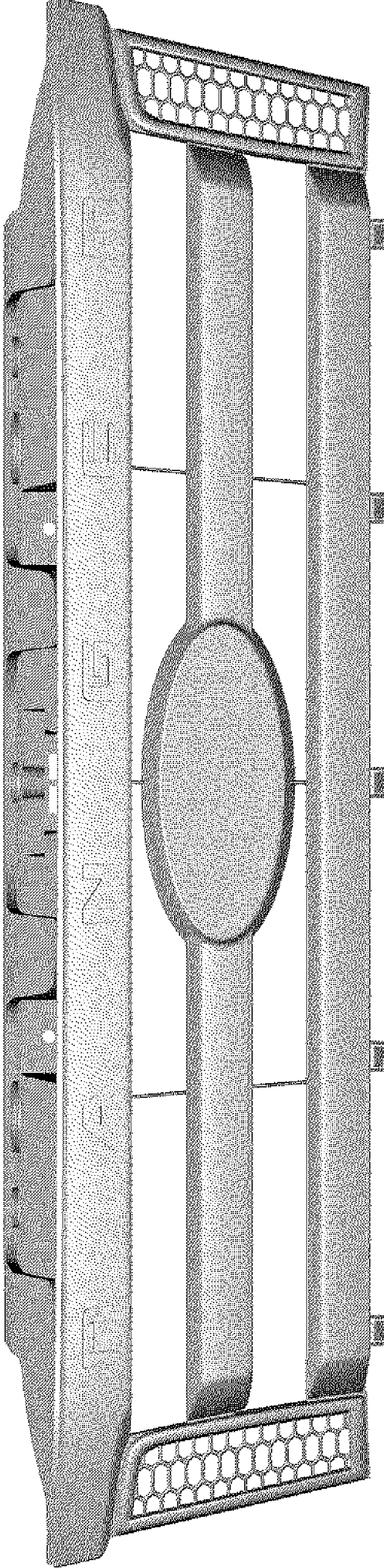


Figure 1

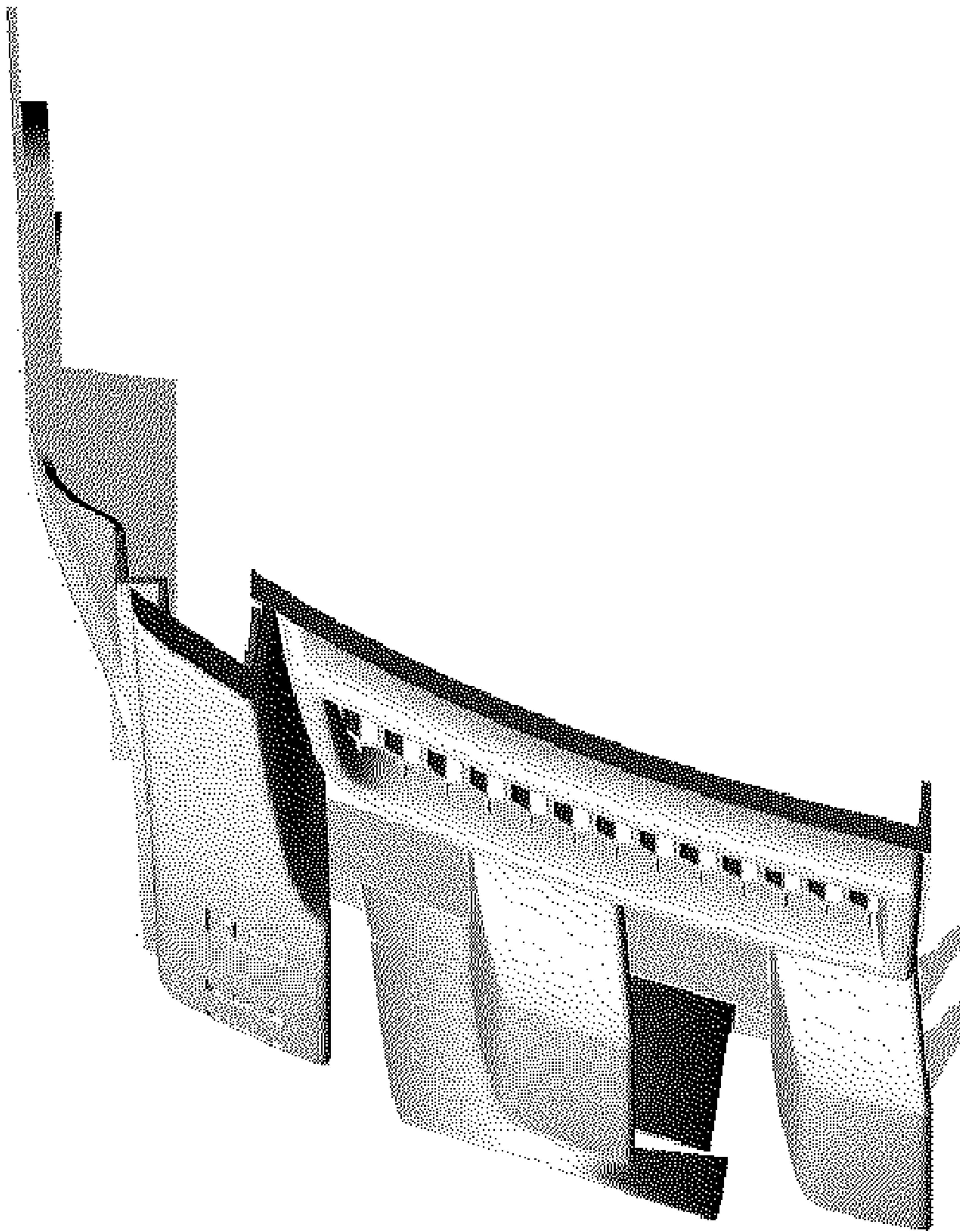


Figure 2

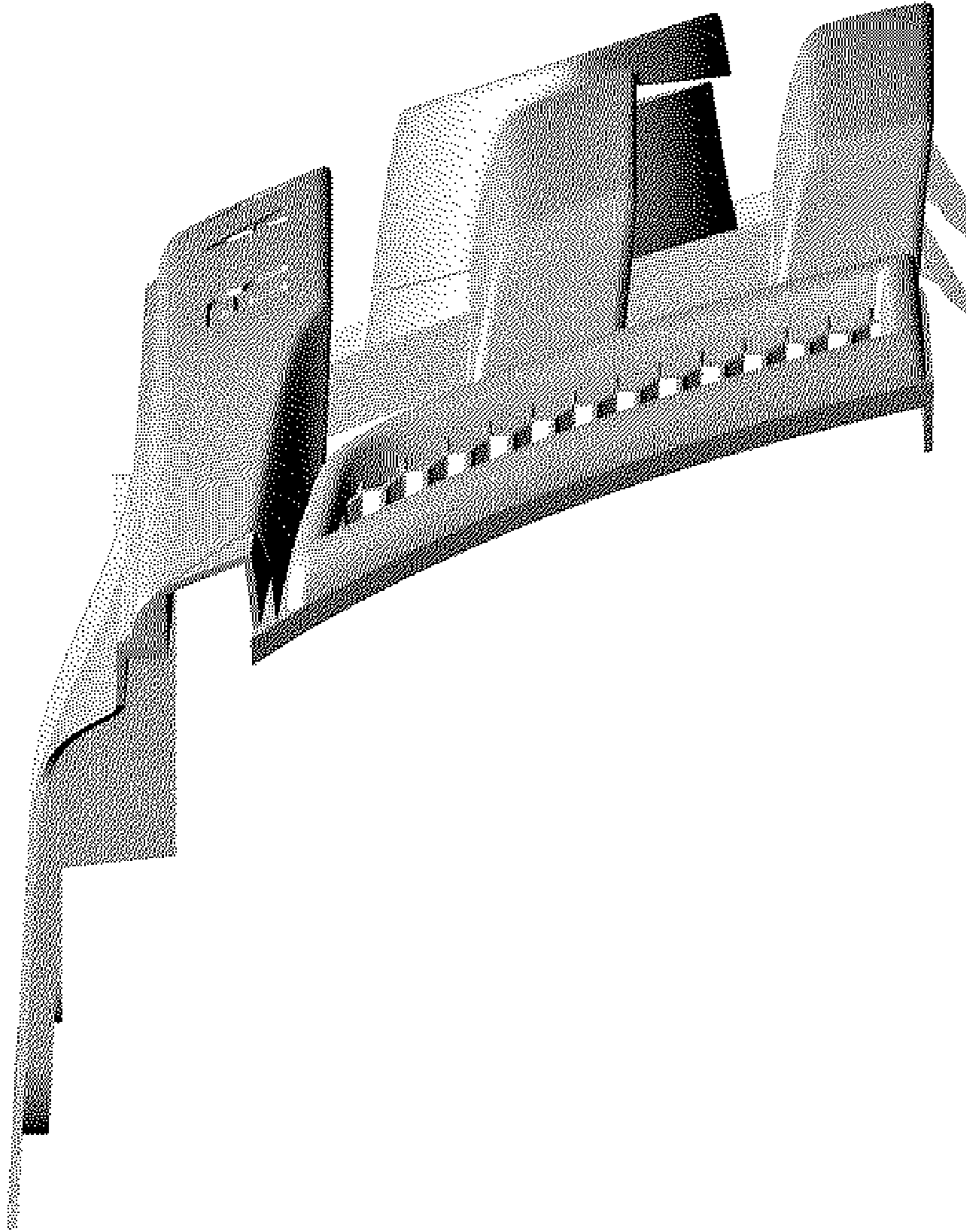


Figure 3

Figure 4

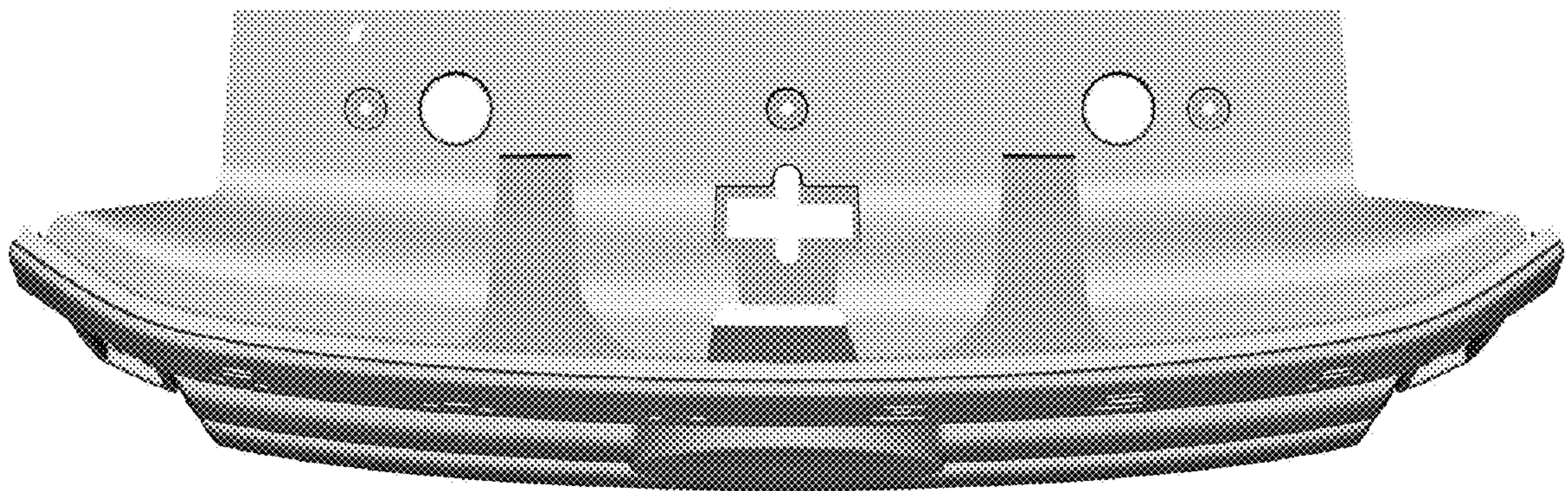
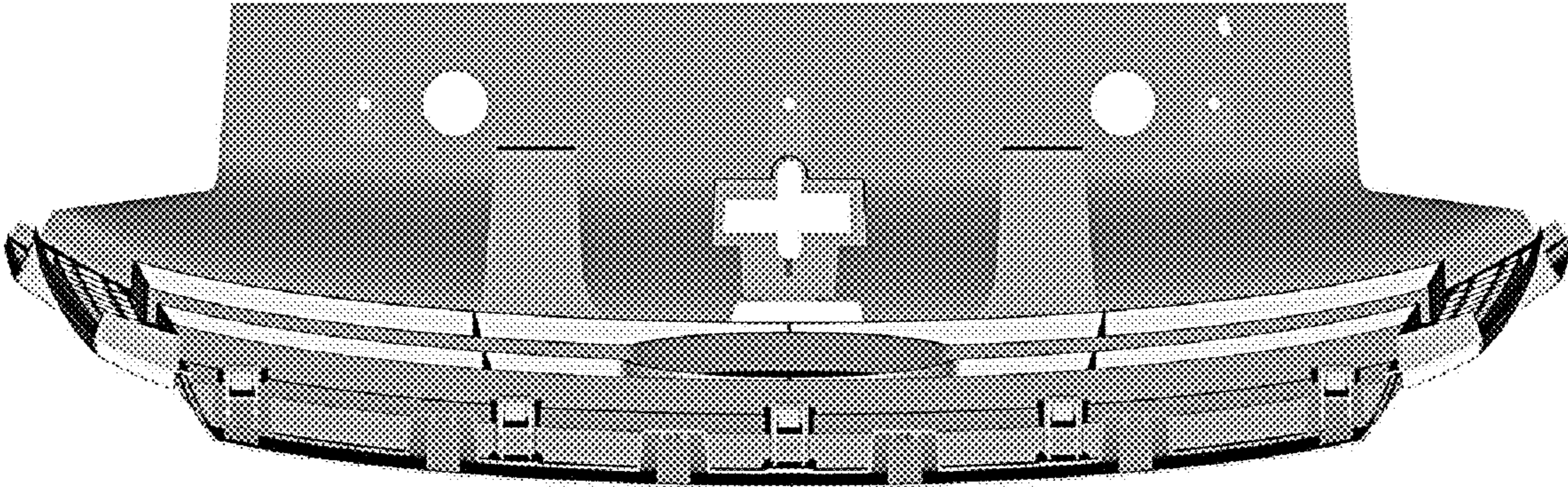


Figure 5



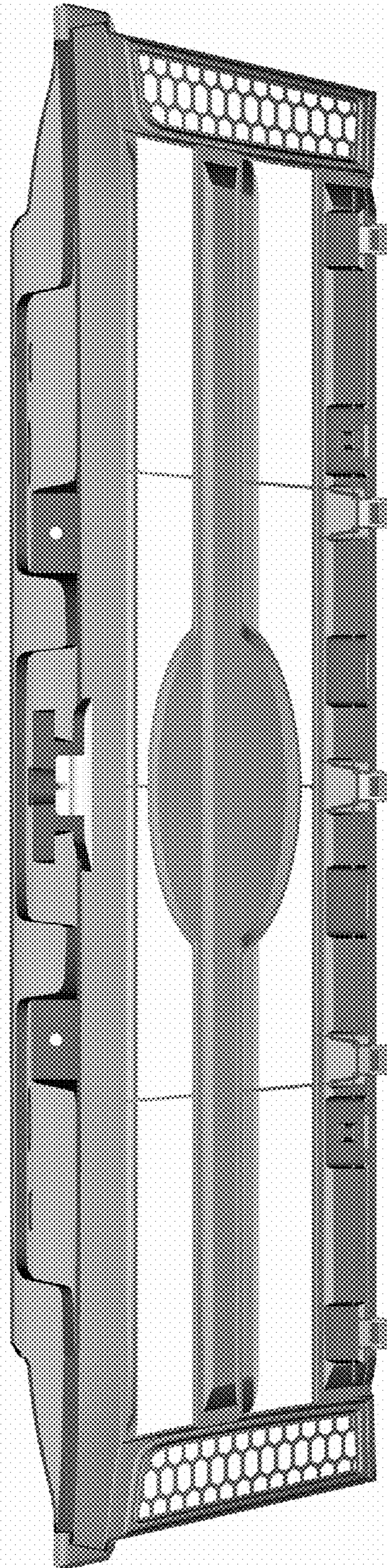


Figure 6

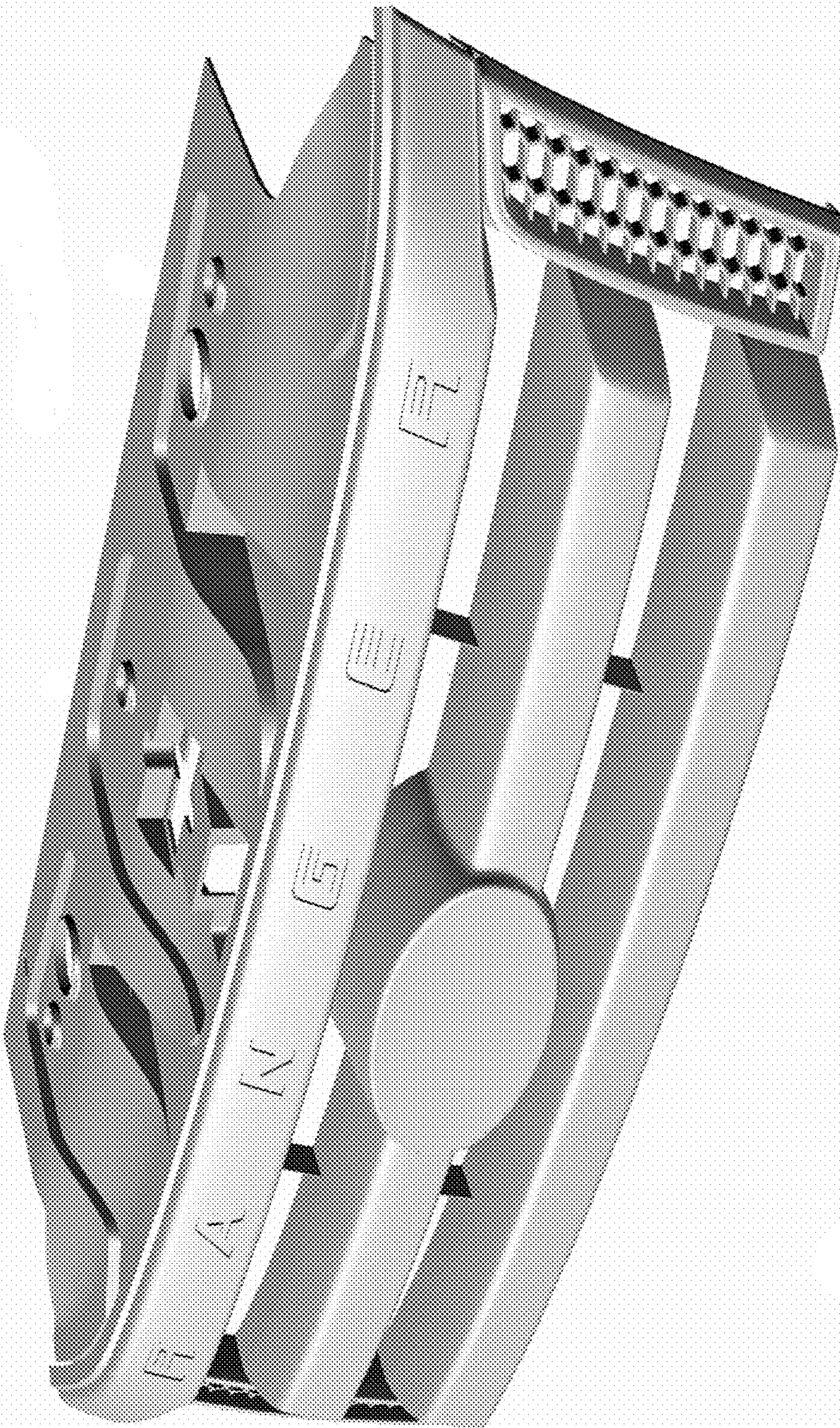


Figure 7