



US00D613208S

(12) **United States Design Patent**  
**McCoy**

(10) **Patent No.:** **US D613,208 S**

(45) **Date of Patent:** **\*\* Apr. 6, 2010**

(54) **HITCH BALL ASSEMBLY**

7,029,022 B2 \* 4/2006 Moss ..... 280/491.3

\* cited by examiner

(75) Inventor: **Richard McCoy**, Granger, IN (US)

*Primary Examiner*—T. Chase Nelson

(73) Assignee: **Cequent Towing Products**, Plymouth, MI (US)

*Assistant Examiner*—Kathleen M Sims

(74) *Attorney, Agent, or Firm*—McDonald Hopkins LLC

(\*\*) Term: **14 Years**

(57) **CLAIM**

(21) Appl. No.: **29/313,947**

The ornamental design for a hitch ball assembly, as shown and described.

(22) Filed: **Feb. 20, 2009**

**DESCRIPTION**

(51) **LOC (9) Cl.** ..... **12-16**

FIG. 1 is a top, front, left perspective view of a hitch ball assembly showing my new design;

(52) **U.S. Cl.** ..... **D12/162**

FIG. 2 is a top, rear, left perspective view thereof;

(58) **Field of Classification Search** ..... D12/162,

FIG. 3 is a left side view thereof;

D12/400; 224/186, 402–404, 405.1–405.2,

FIG. 4 is a right side view thereof;

224/407–407.1, 415.1, 416.1, 416.2, 416.3,

FIG. 5 is a top view thereof;

224/477, 479.2, 482–483, 485–486, 490.1,

FIG. 6 is a bottom view thereof; and

224/491.1, 491.2, 491.3, 491.5, 493–495,

FIG. 7 is a front view thereof; and,

224/498–499, 507, 509, 511–513

FIG. 8 is a rear view thereof.

See application file for complete search history.

The broken lines of FIGS. 1, 2, 3, 4, and 6 are included for the purpose of illustrating environment and form no part of the claimed design.

(56) **References Cited**

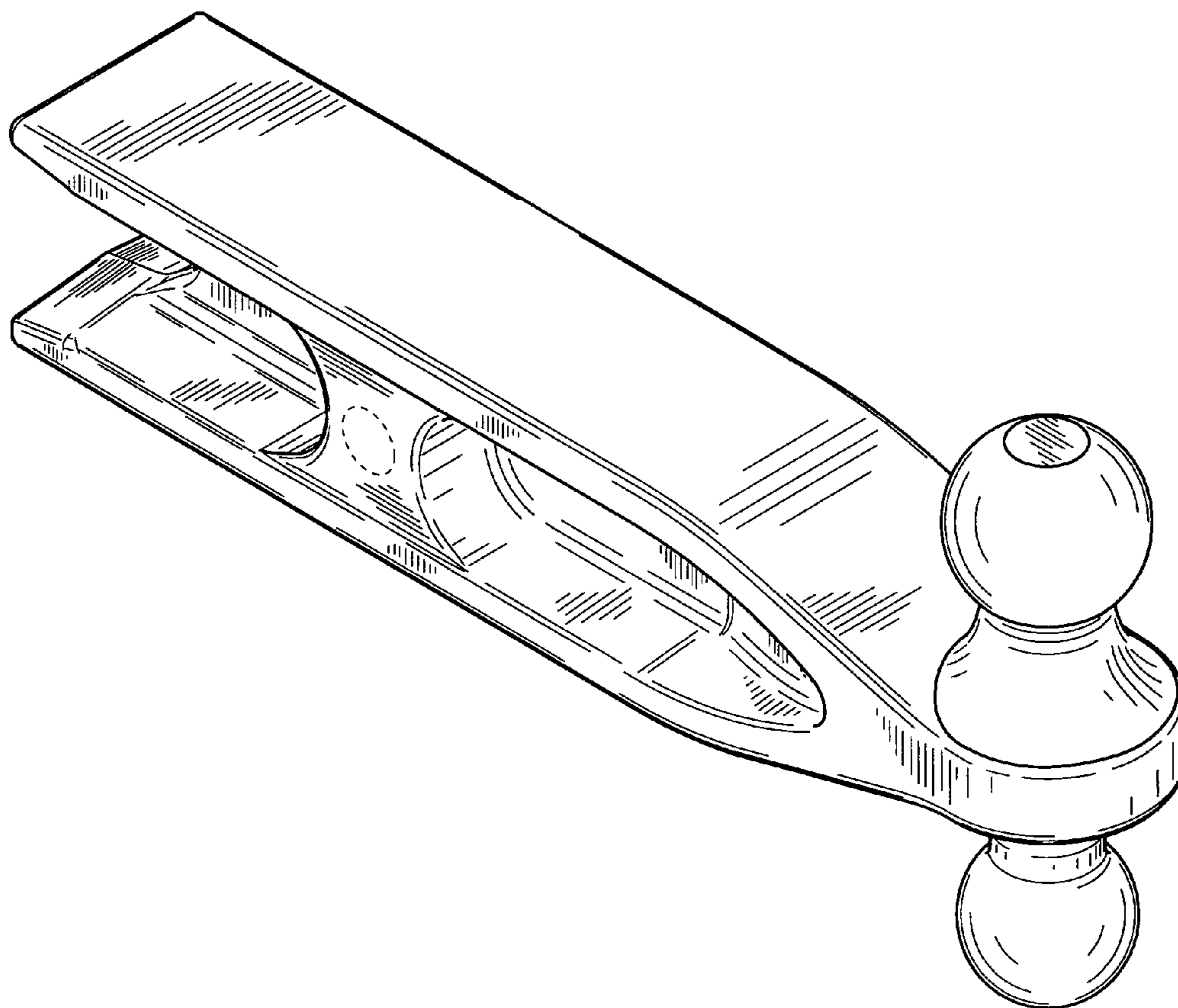
**U.S. PATENT DOCUMENTS**

6,186,531 B1 \* 2/2001 Parent ..... 280/506

D443,567 S \* 6/2001 Weir et al. .... D12/162

6,581,953 B2 \* 6/2003 Jerry ..... 280/486

**1 Claim, 5 Drawing Sheets**



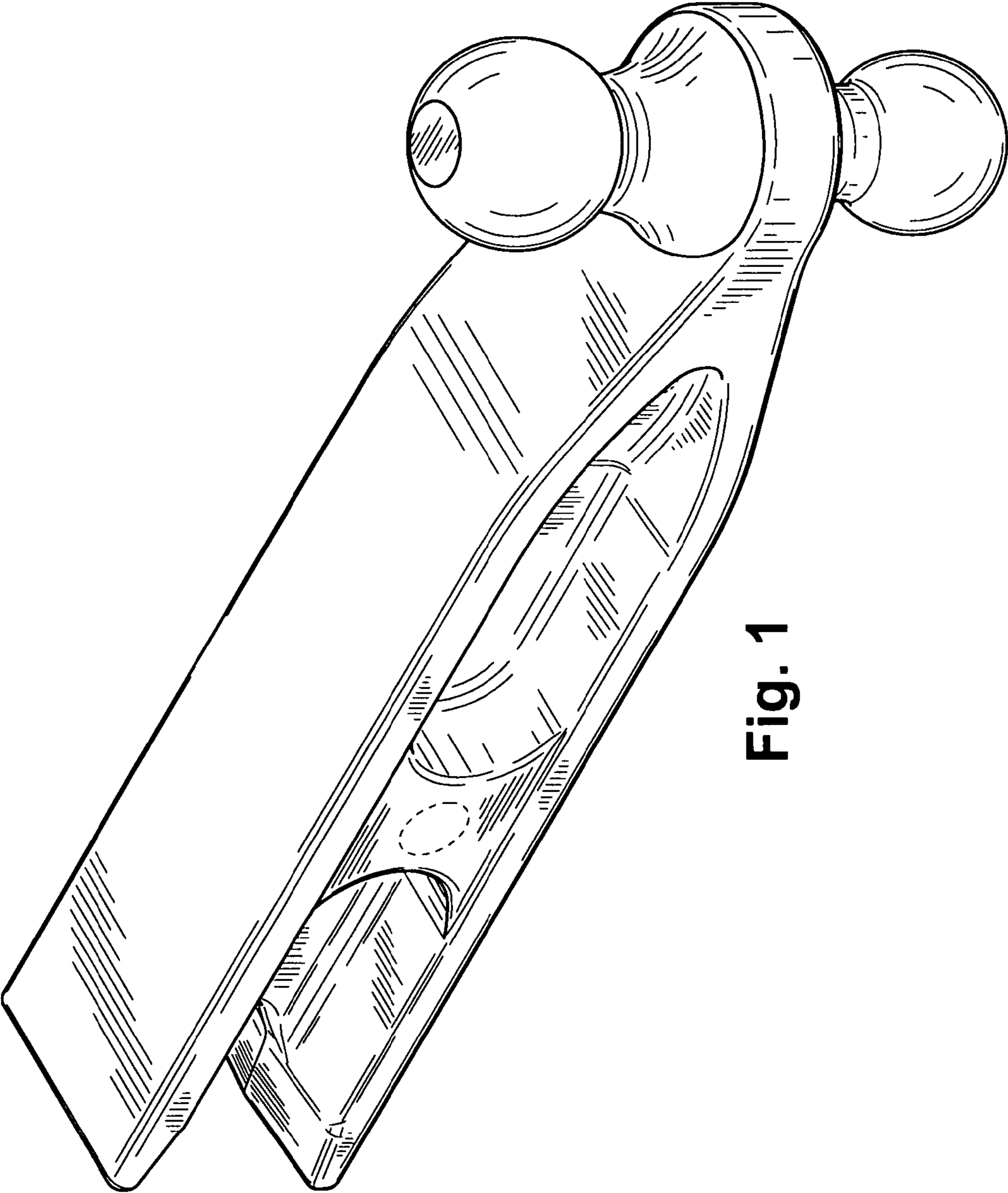


Fig. 1

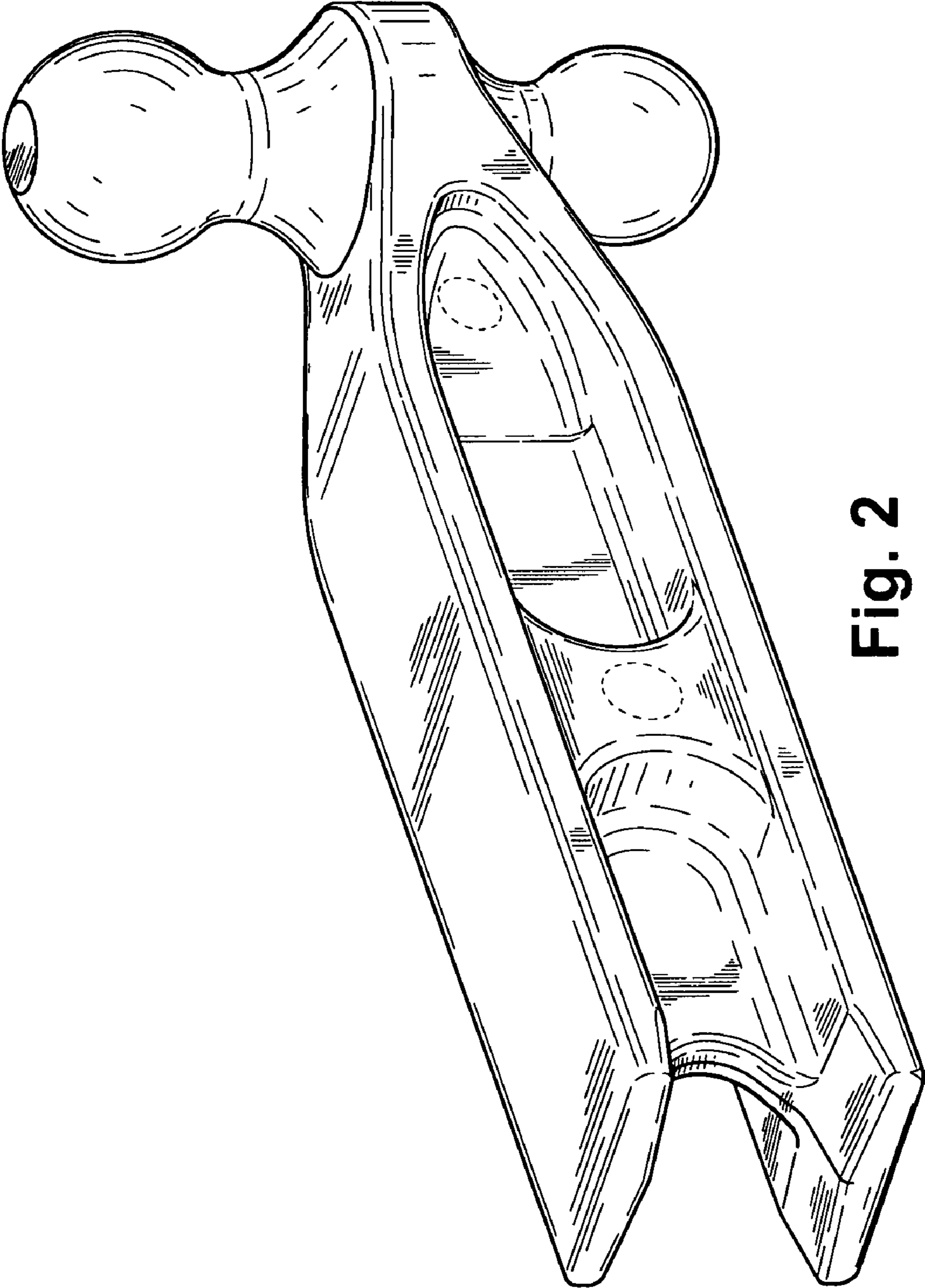


Fig. 2

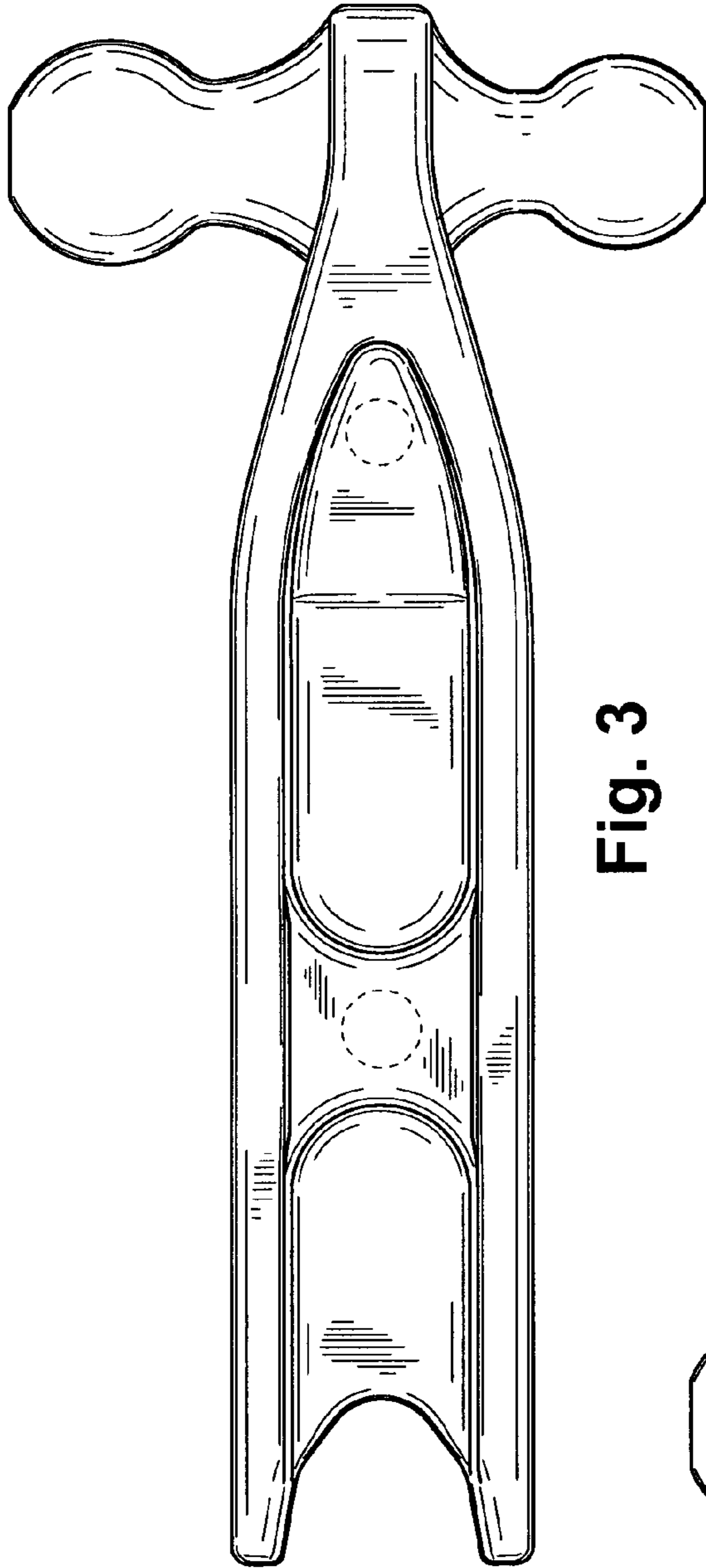


Fig. 3

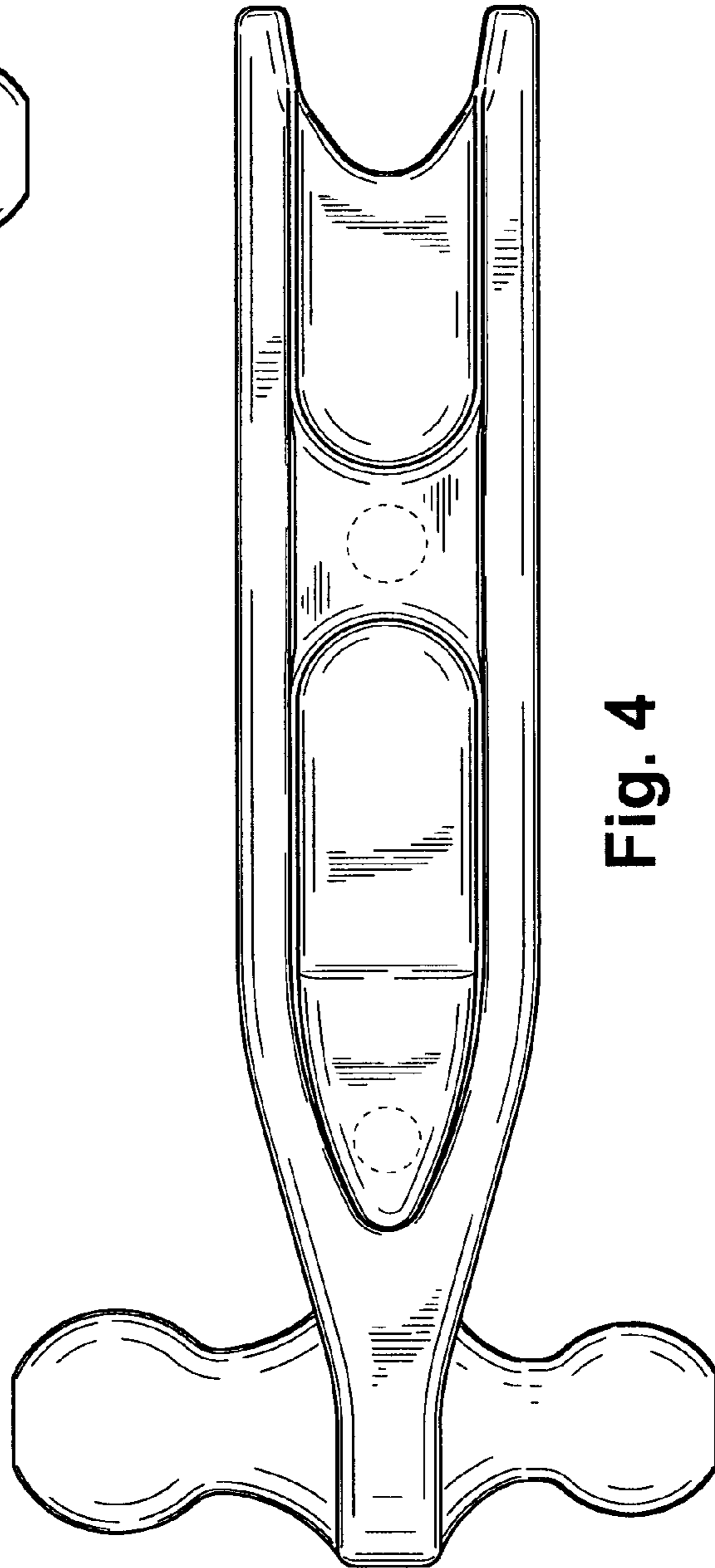


Fig. 4

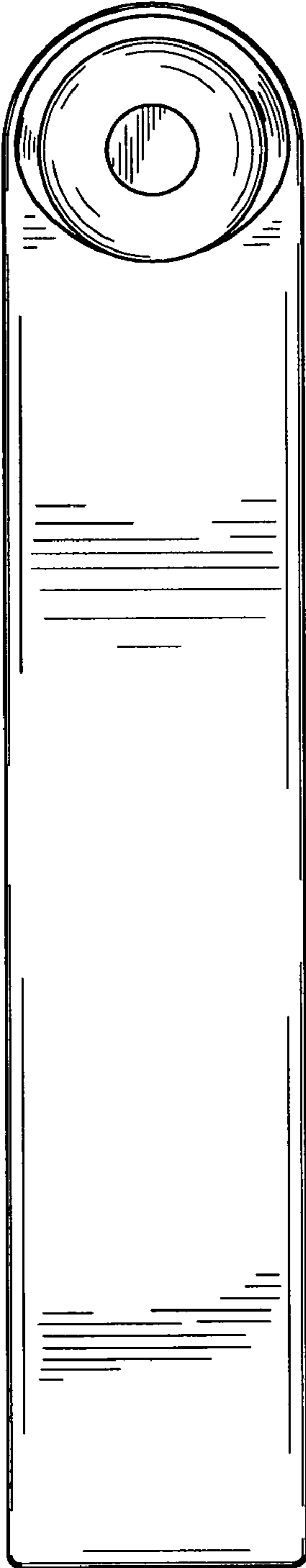


Fig. 5

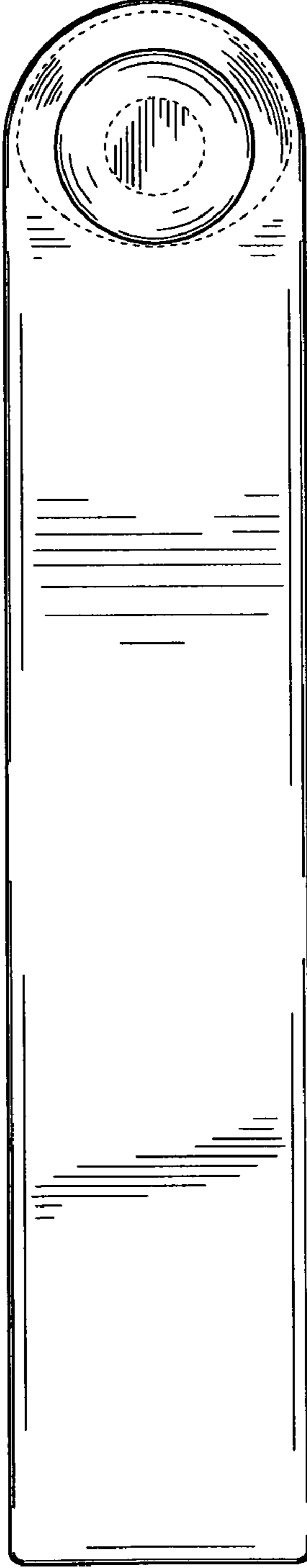


Fig. 6

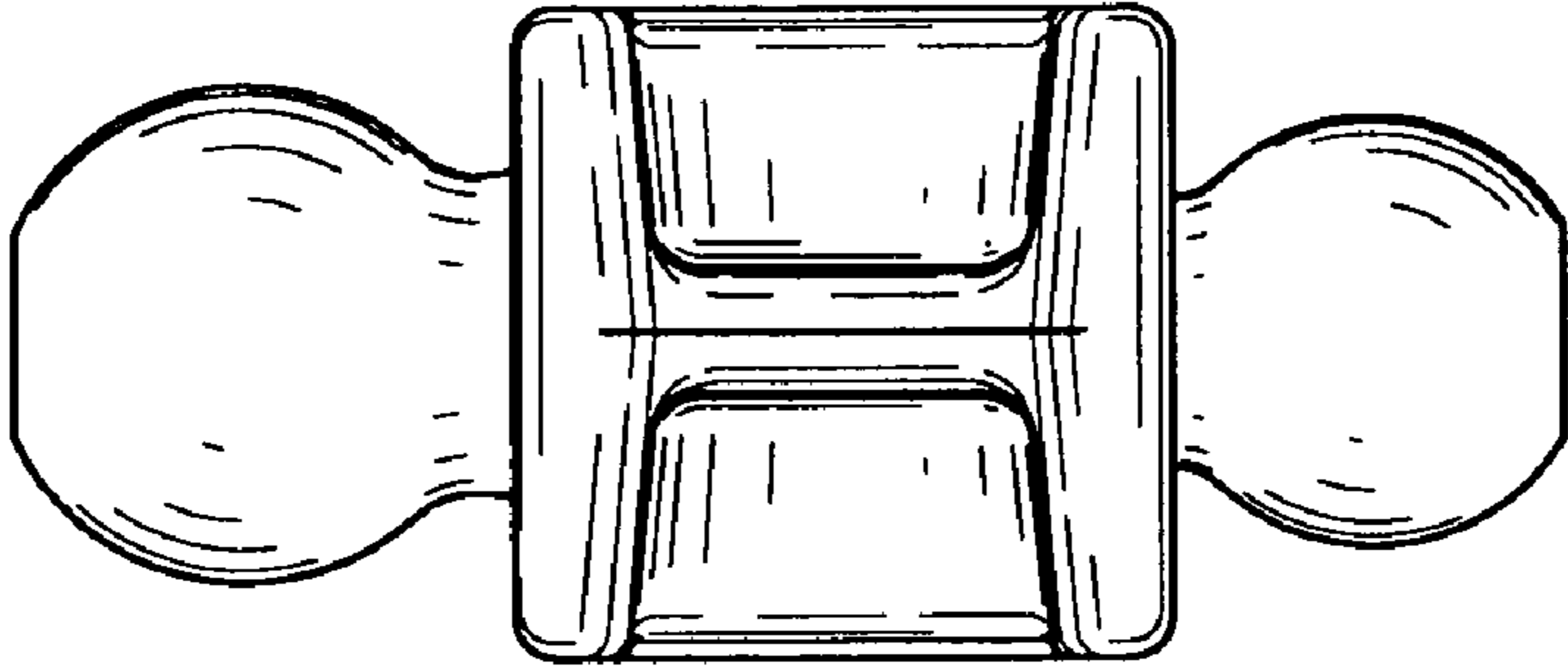


Fig. 8

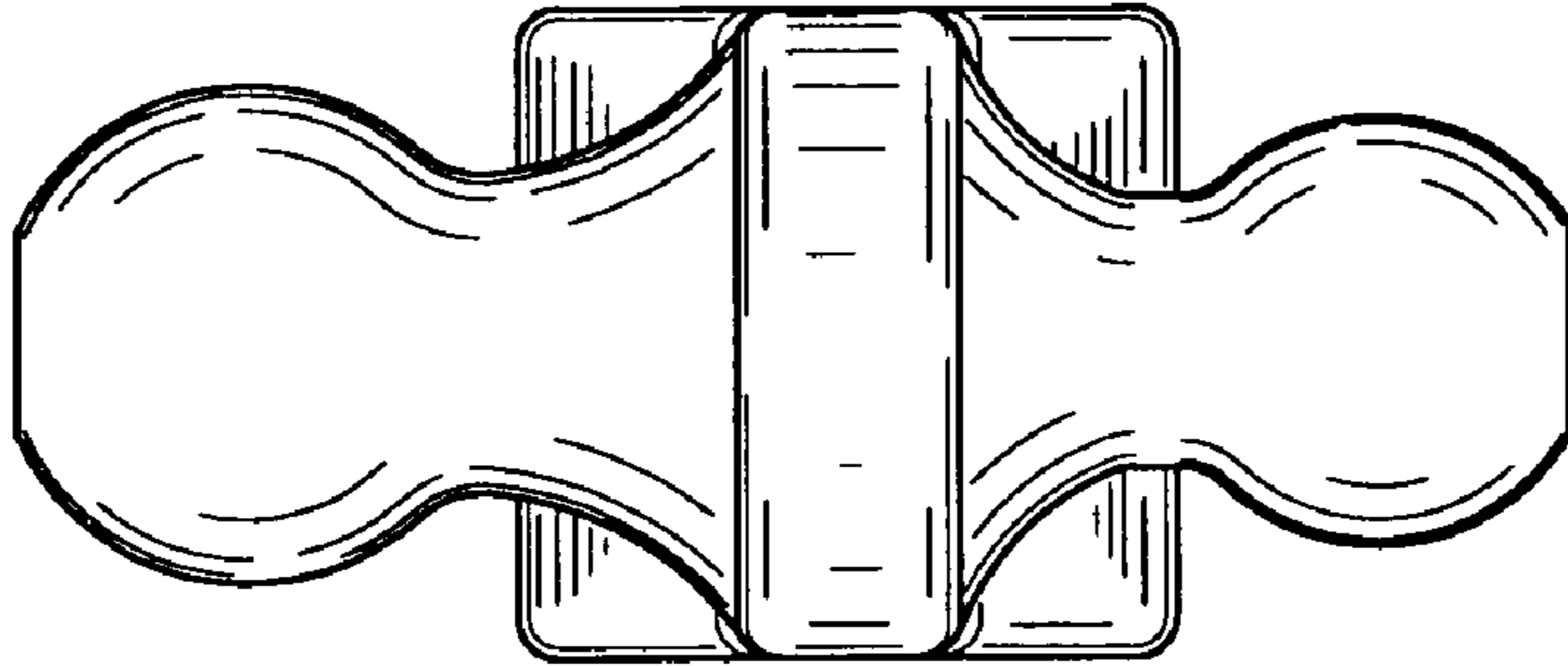


Fig. 7