



US00D613206S

(12) **United States Design Patent**
Norman

(10) **Patent No.:** **US D613,206 S**
(45) **Date of Patent:** **** Apr. 6, 2010**

(54) **ADAPTER FOR A MOTORCYCLE STEERING STABILIZER**

(76) Inventor: **Ralph S. Norman**, 8715 Dead Stick Rd., San Diego, CA (US) 92154

(**) Term: **14 Years**

(21) Appl. No.: **29/302,384**

(22) Filed: **Jan. 15, 2008**

(51) **LOC (9) Cl.** **12-11**

(52) **U.S. Cl.** **D12/114**

(58) **Field of Classification Search** D12/110,
D12/114, 117, 118, 223; 180/219; 280/274-280,
280/281.1, 288.1-288.4

See application file for complete search history.

(56) **References Cited**

U.S. PATENT DOCUMENTS

D305,749 S * 1/1990 Jorgensen D12/117
5,715,903 A * 2/1998 Summers et al. 180/219
D547,243 S * 7/2007 Matsumura et al. D12/118

OTHER PUBLICATIONS

J & P Cycles Keeping the World on 2 Wheels © 2001 catalog, fork braces on p. 507.*

Custom Chrome © 2004 catalog, fork braces on p. 15.36, and Fork Skins™ for 39mm forks by KuryAkyn on p. 15.41.*

Chrome Specialties Inc. 2001 catalog, fork braces and Tweek bar on p. 489.*

* cited by examiner

Primary Examiner—Philip S Hyder

Assistant Examiner—Linda G. Brooks

(74) *Attorney, Agent, or Firm*—Fehr Law Firm; Thompson E. Fehr

(57) **CLAIM**

I claim the ornamental design for an adapter for a motorcycle steering stabilizer, as shown.

DESCRIPTION

FIG. 1 is a perspective view from slightly above the adapter for a motorcycle steering stabilizer.

FIG. 2 is a back elevational view thereof.

FIG. 3 is a front elevational view thereof.

FIG. 4 is a top plan view thereof.

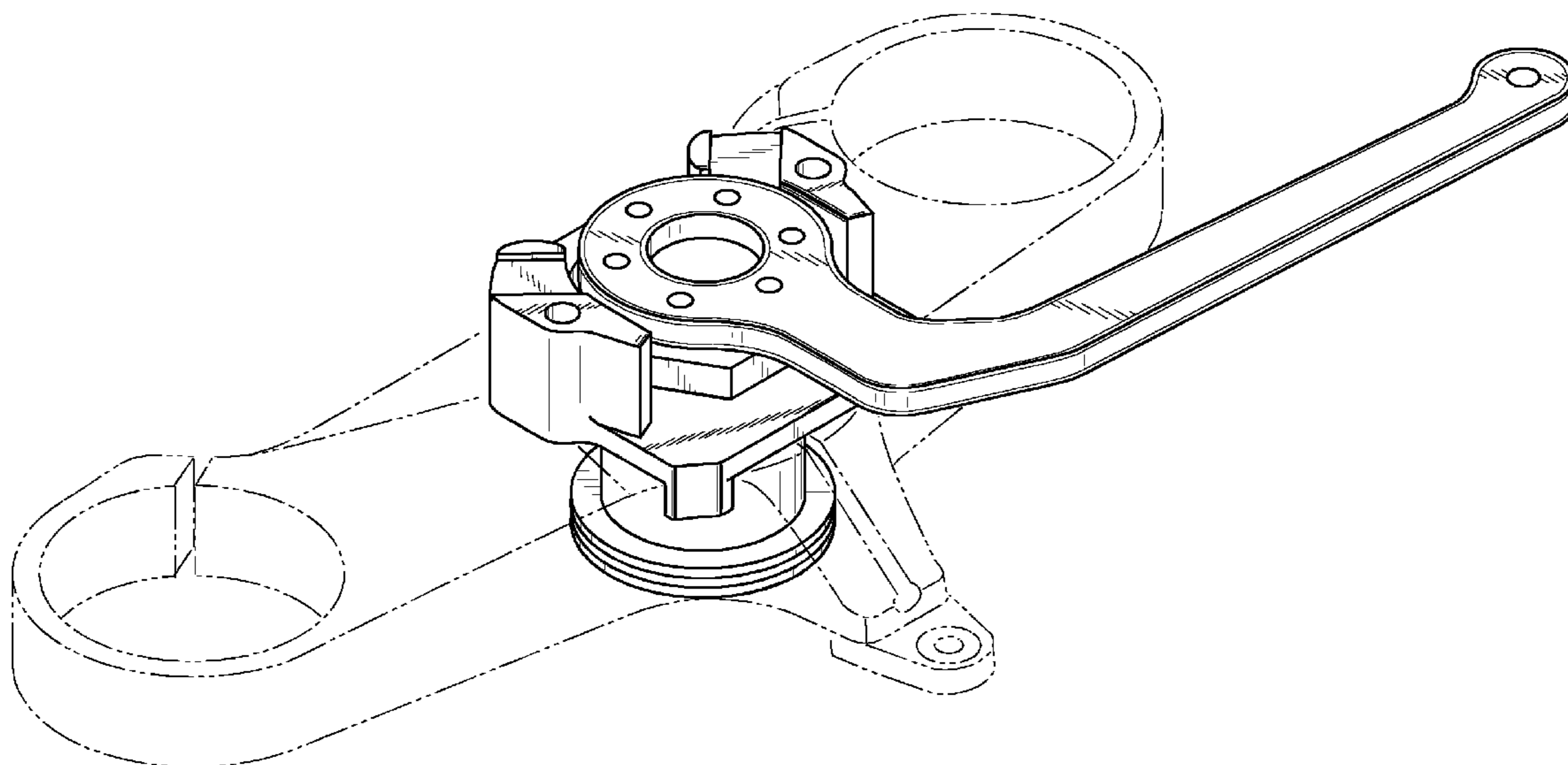
FIG. 5 is a bottom plan view thereof.

FIG. 6 is an elevational view of one side thereof; and,

FIG. 7 is an elevational view of the opposite side thereof.

The broken lines showing the triple clamp illustrate environmental structure that forms no part of the claimed design. The broken lines shown in the shape of a square in the center of FIG. 5 represent boundaries between claimed and unclaimed portions of the adapter for a motorcycle steering stabilizer; the broken line boundaries form no part of the claimed design.

1 Claim, 6 Drawing Sheets



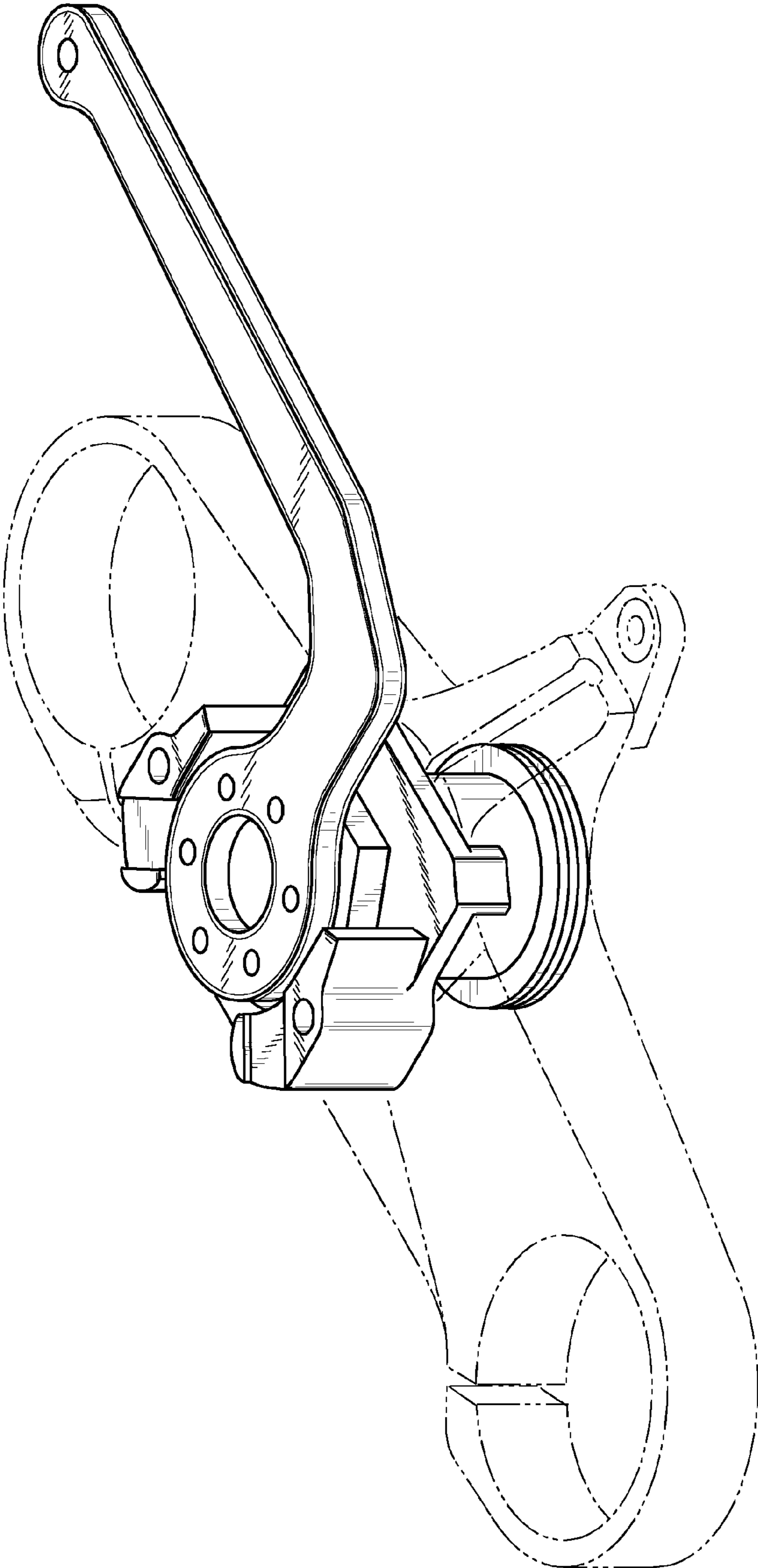


FIG. 1

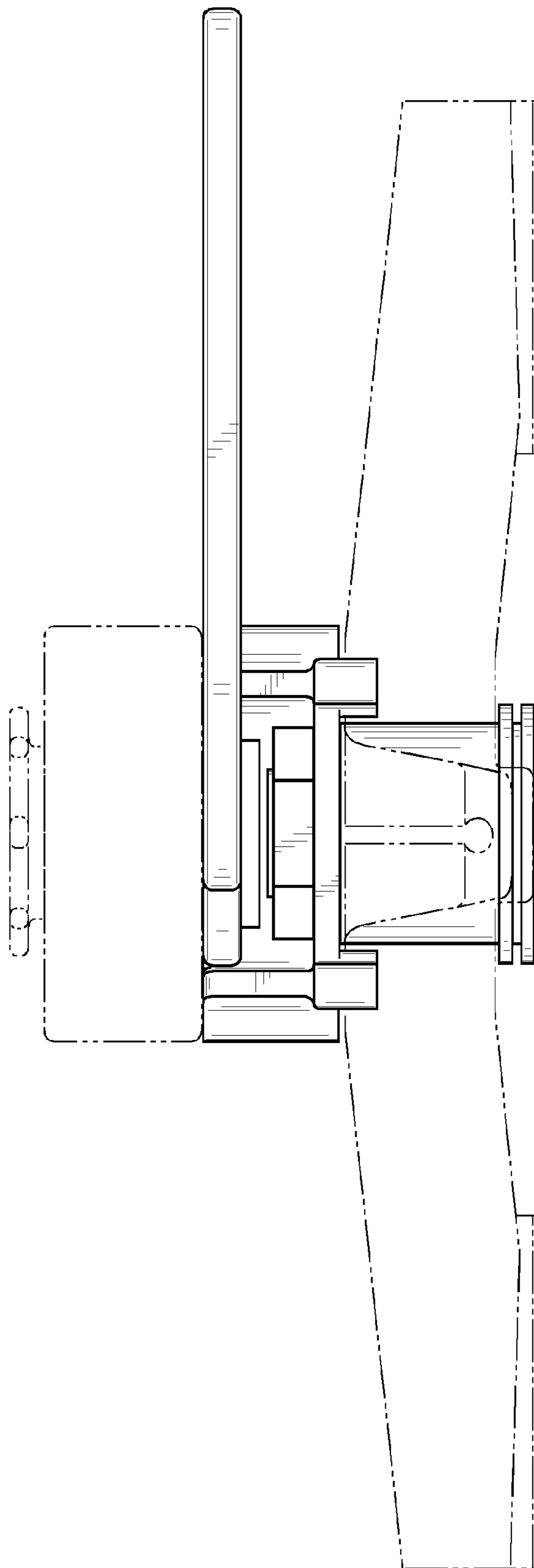


FIG. 2

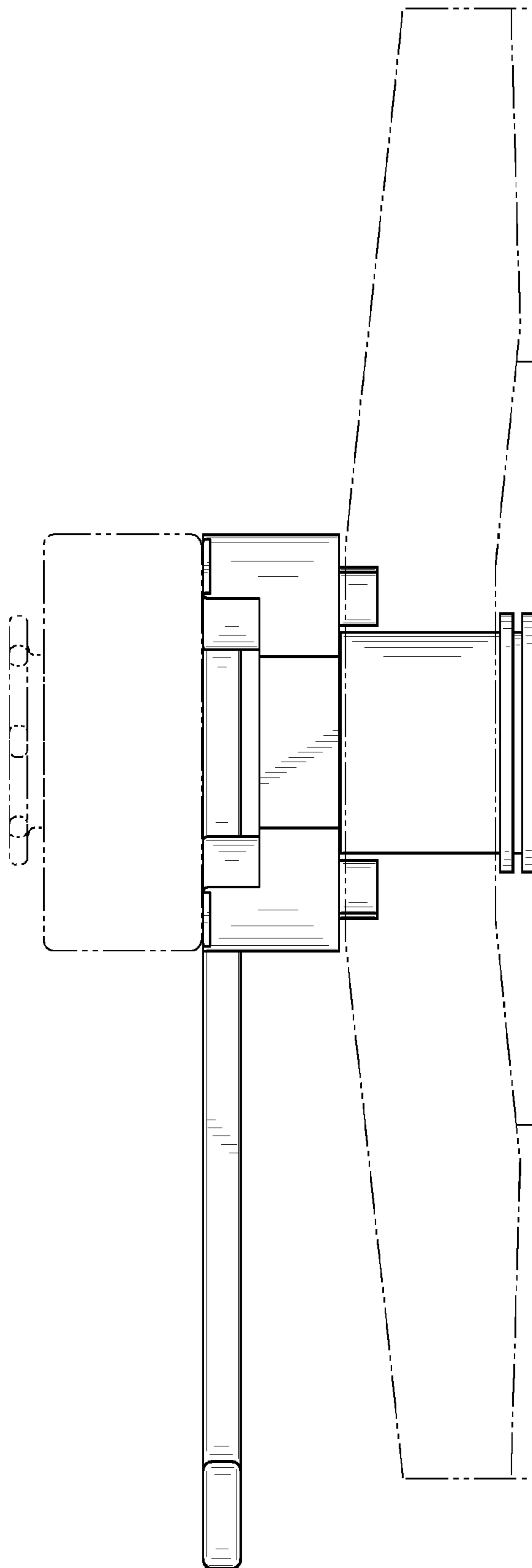


FIG. 3

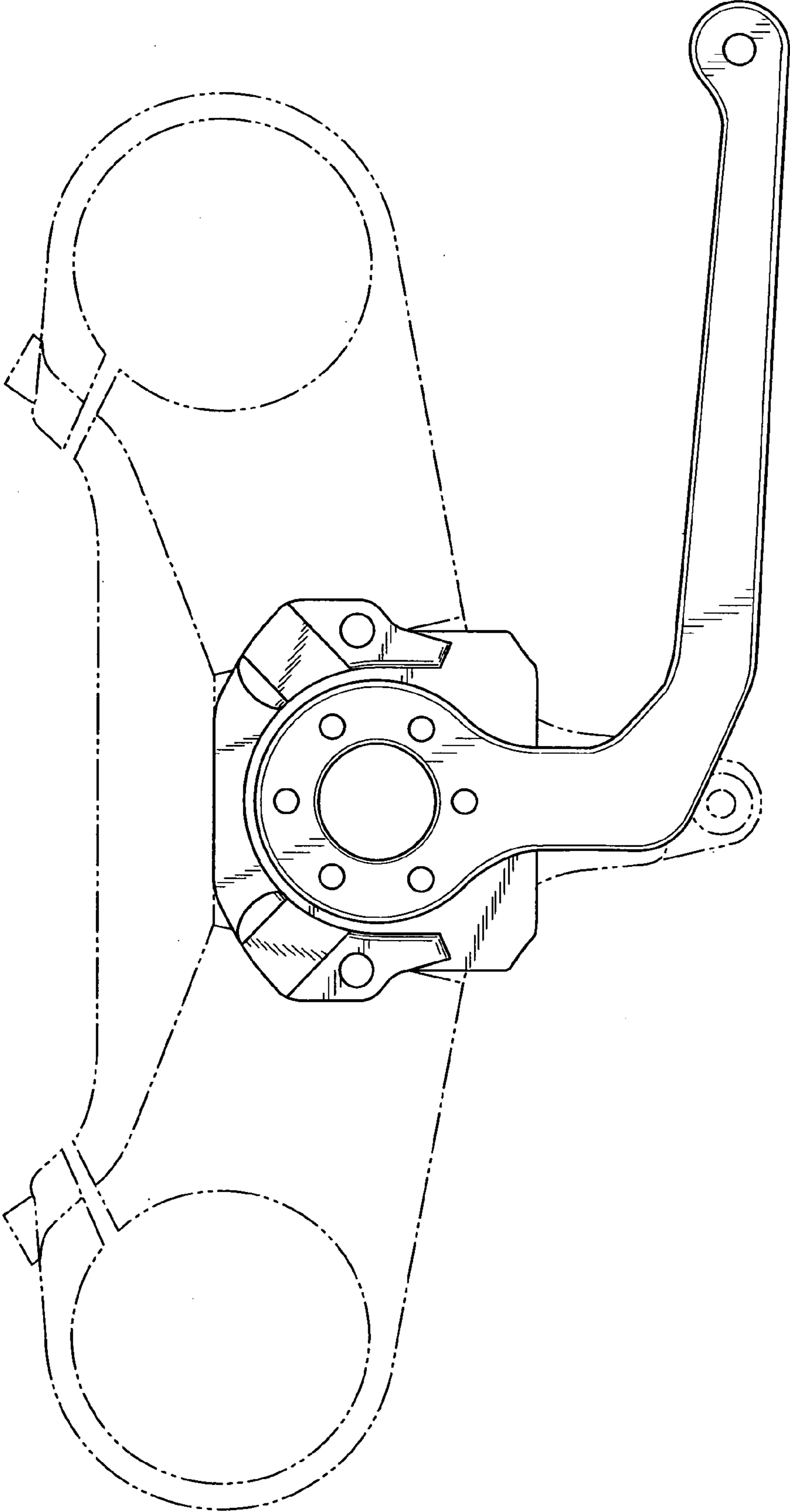


FIG. 4

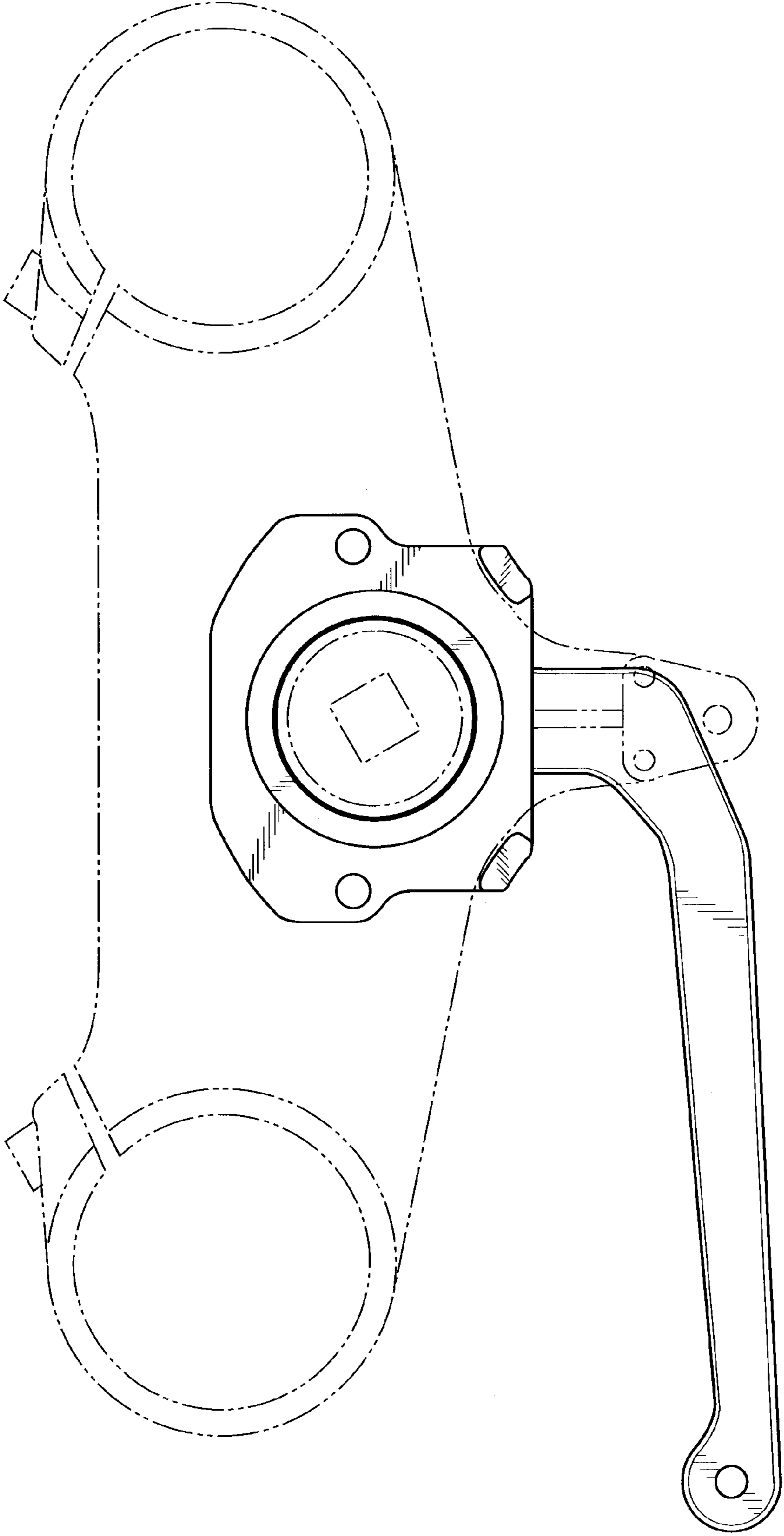


FIG. 5

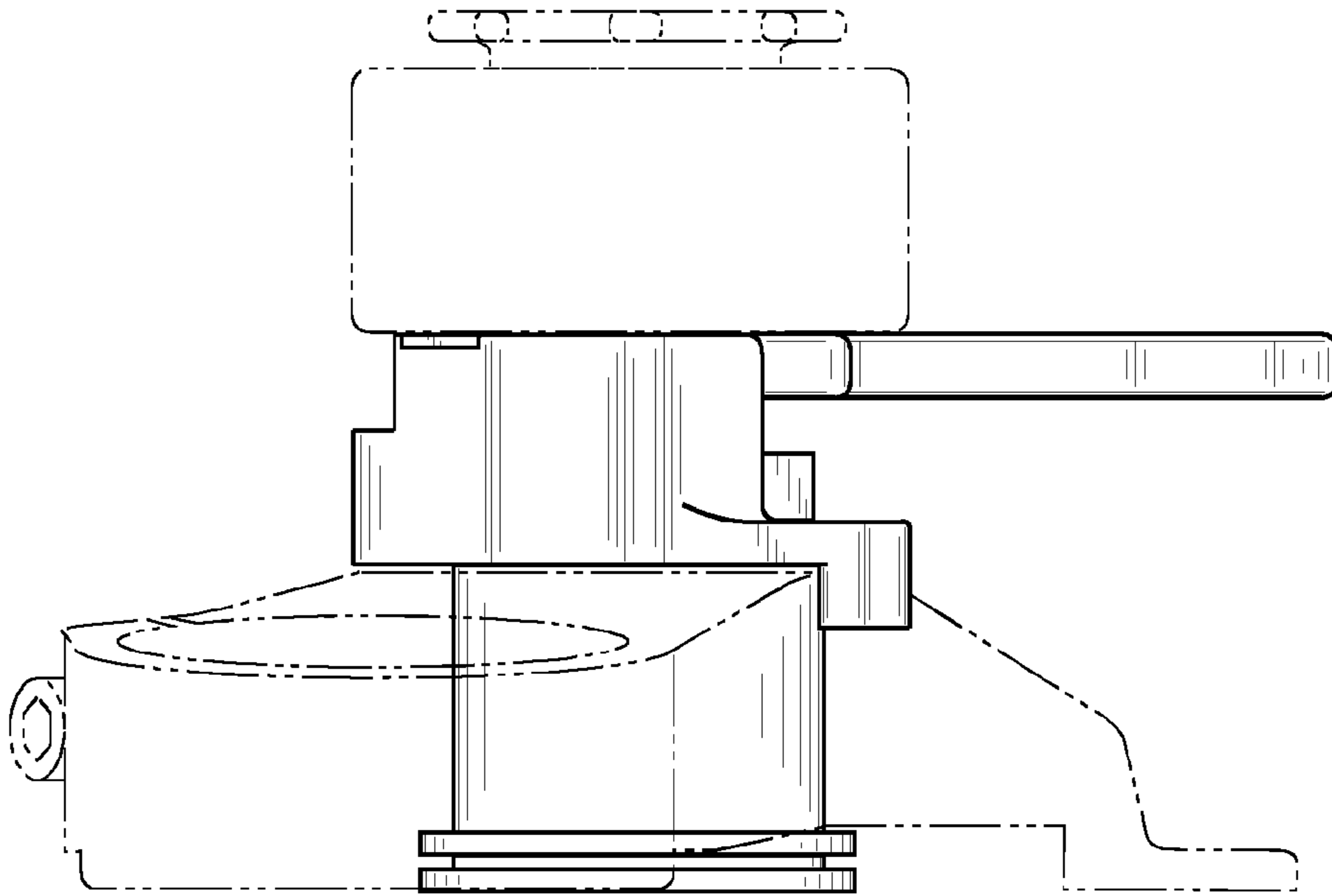


FIG. 6

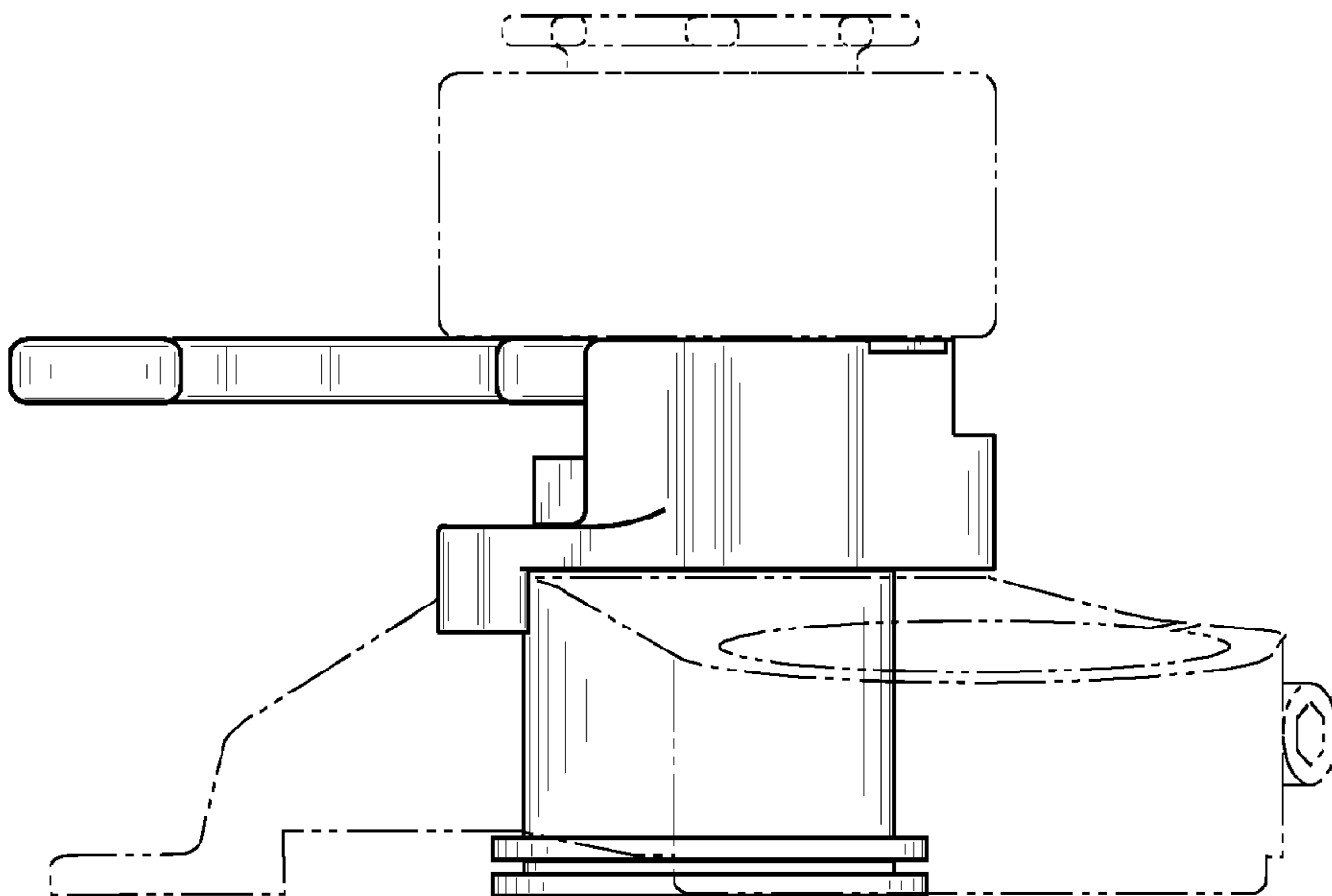


FIG. 7