



US00D613205S

(12) **United States Design Patent**
Steed

(10) **Patent No.:** **US D613,205 S**

(45) **Date of Patent:** **** Apr. 6, 2010**

(54) **BICYCLE FRAME**

(75) Inventor: **Jason Steed**, Cordova, TN (US)

(73) Assignee: **Jason Matthew Steed**, Cordora, TN (US)

(**) Term: **14 Years**

(21) Appl. No.: **29/314,244**

(22) Filed: **Mar. 17, 2009**

(51) **LOC (9) Cl.** **12-11**

(52) **U.S. Cl.** **D12/108**

(58) **Field of Classification Search** D12/108,
D12/111, 117, 17-20; 280/1.13, 1.14, 1.22,
280/204, 1.23, 202, 828, 827, 1.16; D21/424,
D21/427, 428, 432, 533-535, 538, 611; 446/29,
446/34, 66, 94, 232, 431, 440, 465, 470;
D1/107, 110, 126

See application file for complete search history.

(56) **References Cited**

U.S. PATENT DOCUMENTS

- D40,173 S * 7/1909 Rosenberg D21/611
- D72,237 S * 3/1927 Plooster D21/611
- D272,925 S * 3/1984 Jones et al. D21/428

- D397,964 S * 9/1998 Bratton D12/108
- D467,982 S * 12/2002 Watson D21/611
- D517,772 S * 3/2006 Haro D1/107
- D541,885 S * 5/2007 Lensvelt D21/592

* cited by examiner

Primary Examiner—Philip S Hyder

Assistant Examiner—Linda G. Brooks

(74) *Attorney, Agent, or Firm*—Gary Jewel, Esq.; The Jewel Law Firm

(57) **CLAIM**

The ornamental design for a bicycle frame, as shown and described.

DESCRIPTION

FIG. 1 is a top, rear, right side, perspective view of the bicycle frame;

FIG. 2 is a top, rear, left side, perspective view thereof;

FIG. 3 is a left side elevation view thereof;

FIG. 4 is a front, right side, perspective view thereof; and,

FIG. 5 is a front, left side, perspective view thereof.

My bicycle frame, when viewed specifically from a left or right side elevation, has features similar to that of a bulldog.

1 Claim, 5 Drawing Sheets

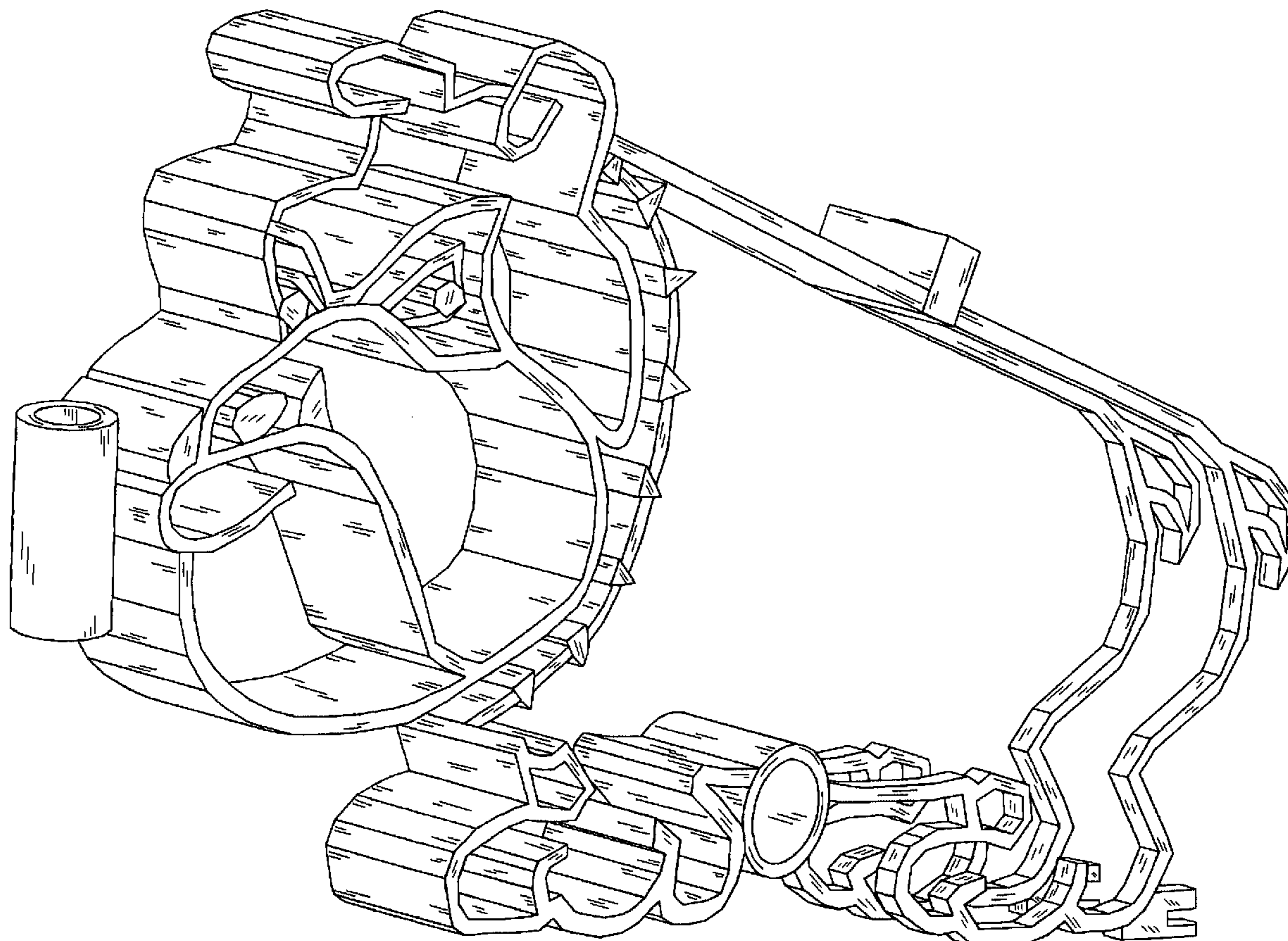
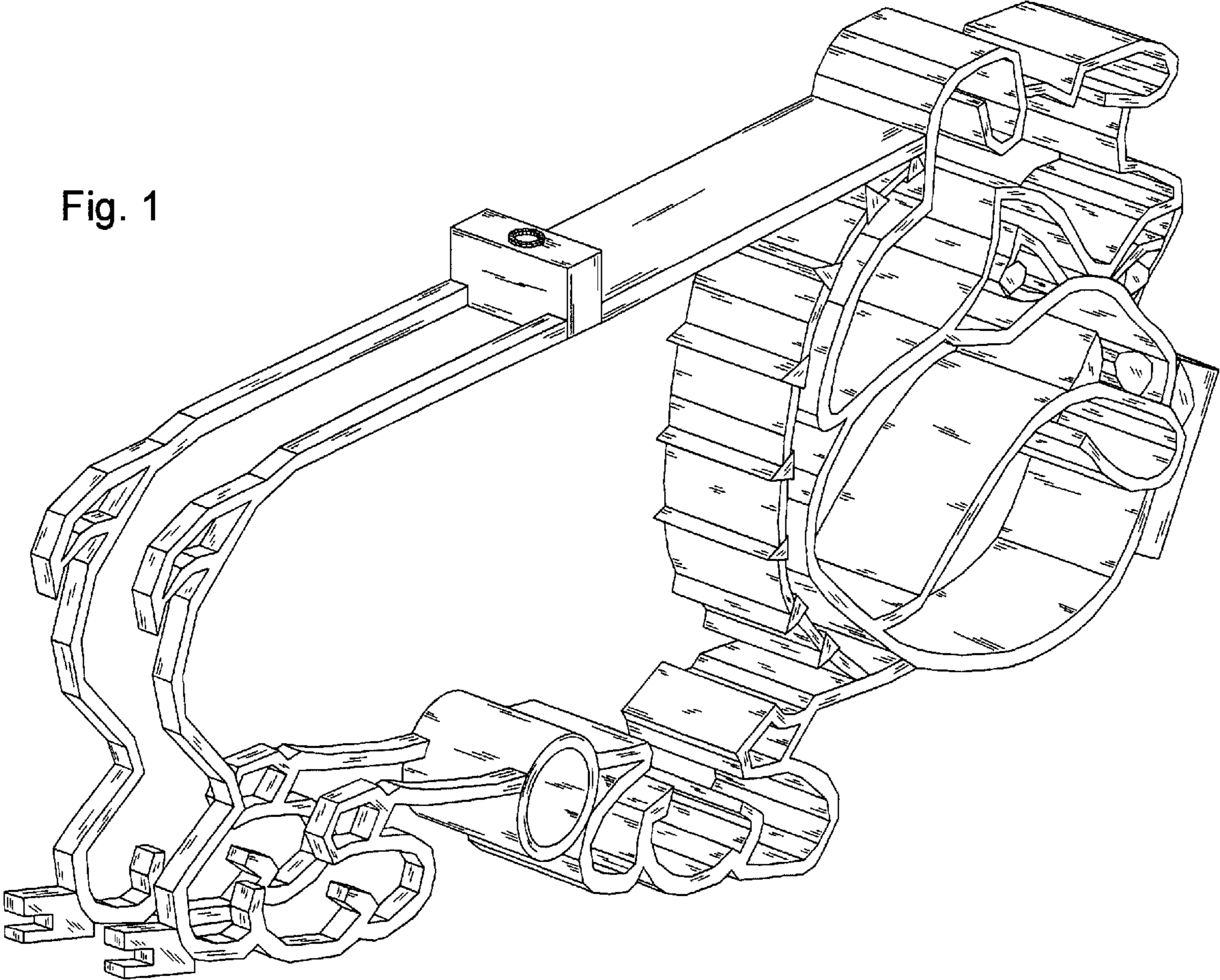


Fig. 1



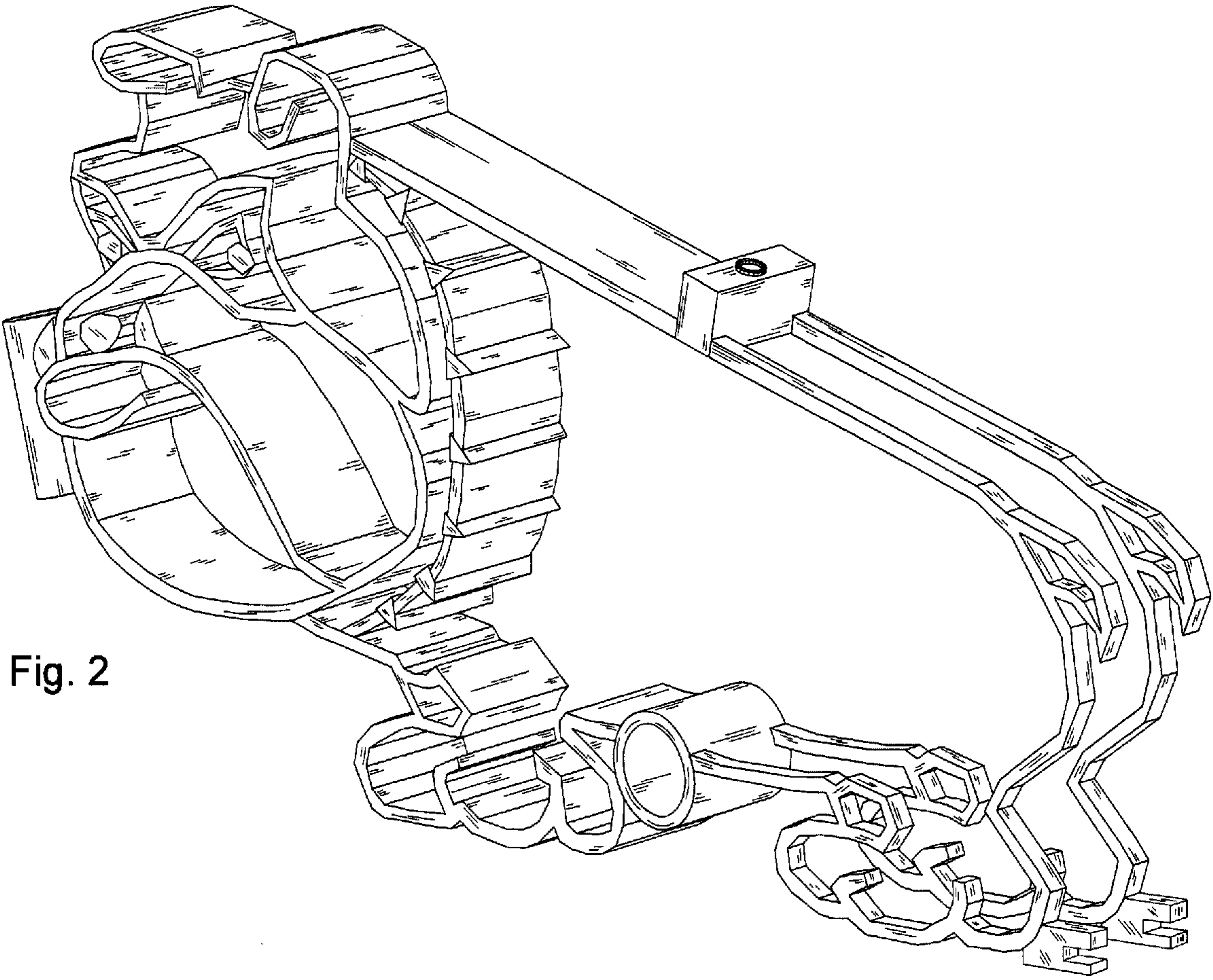


Fig. 2

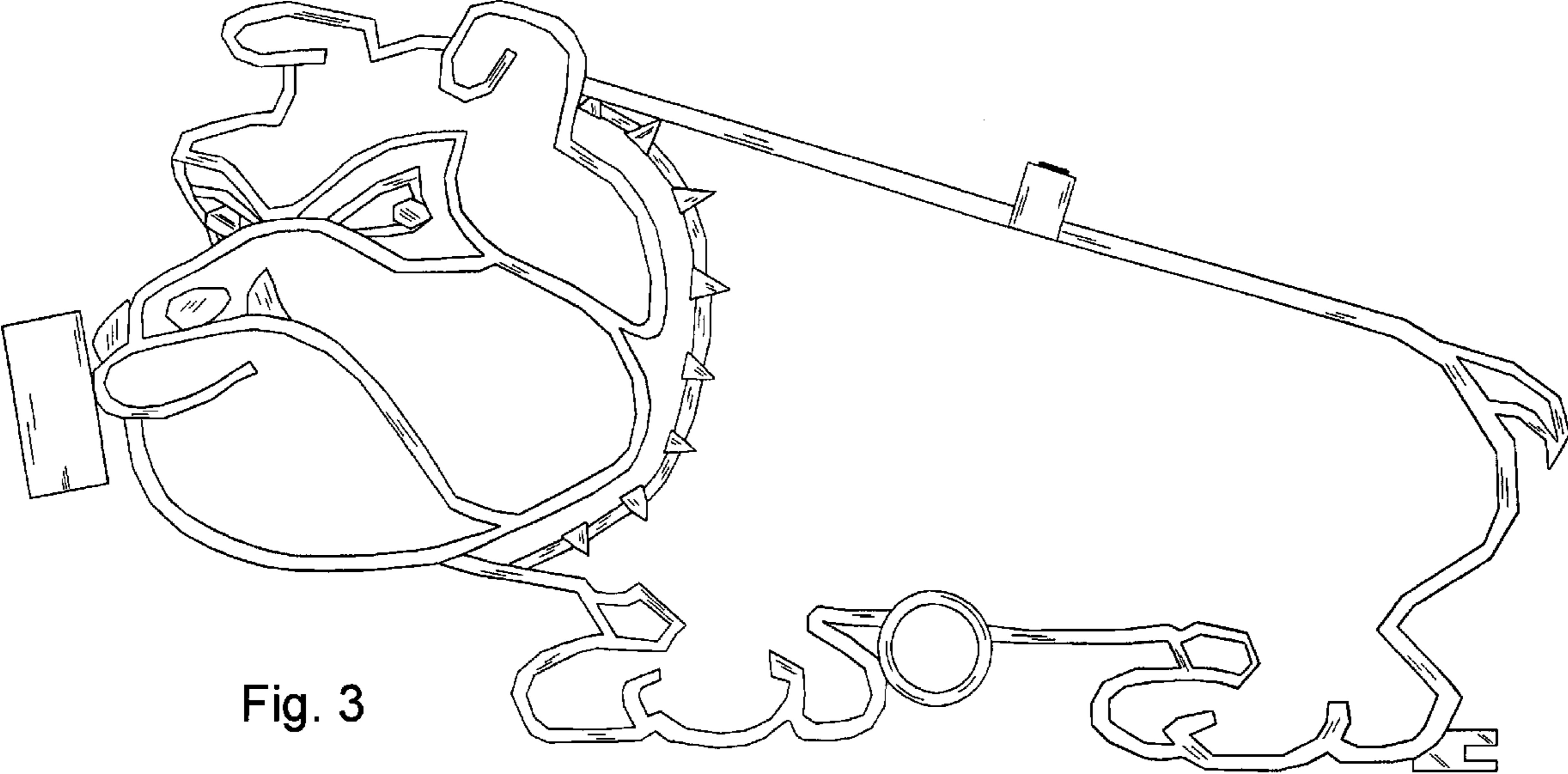
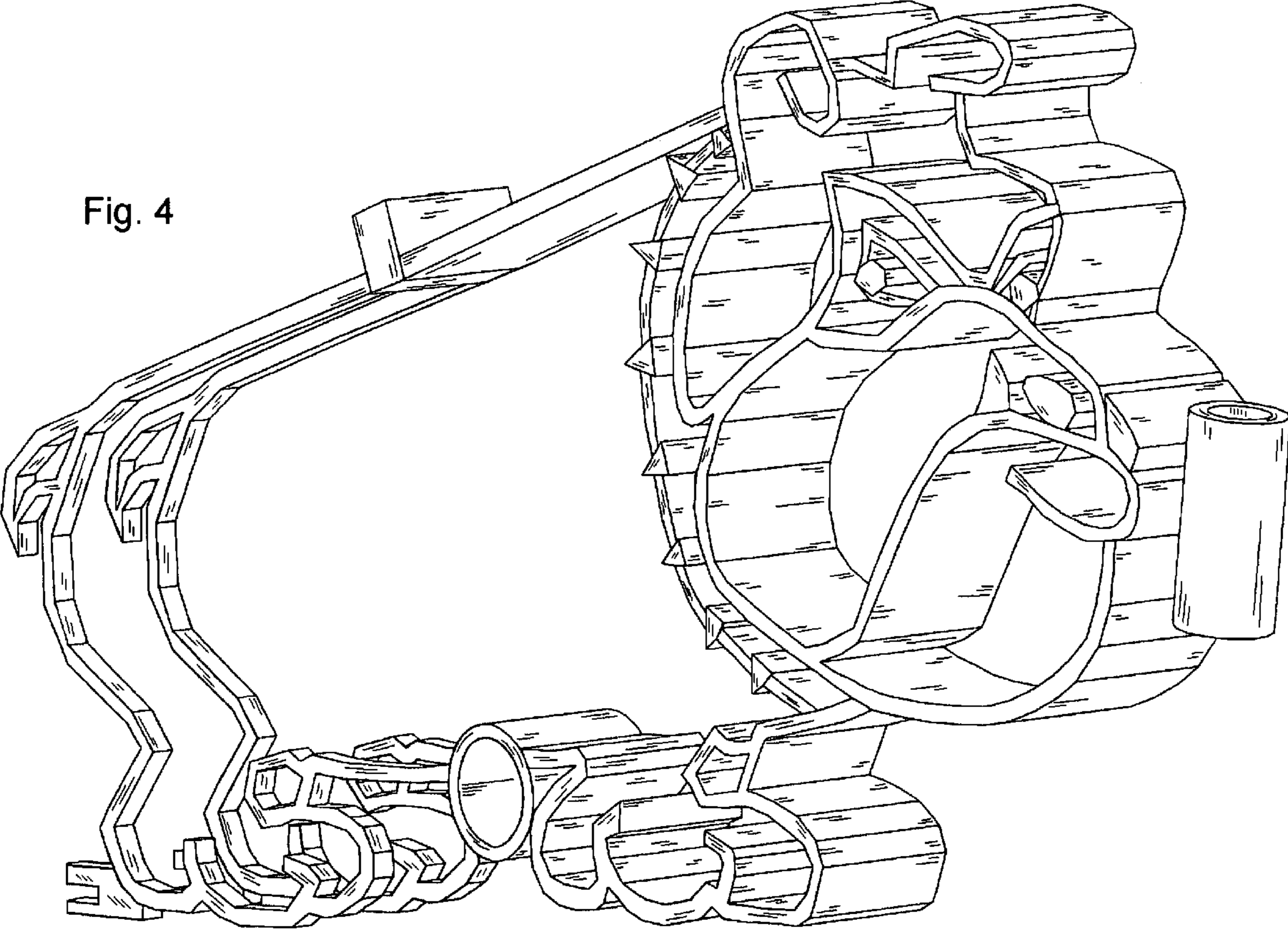


Fig. 3

Fig. 4



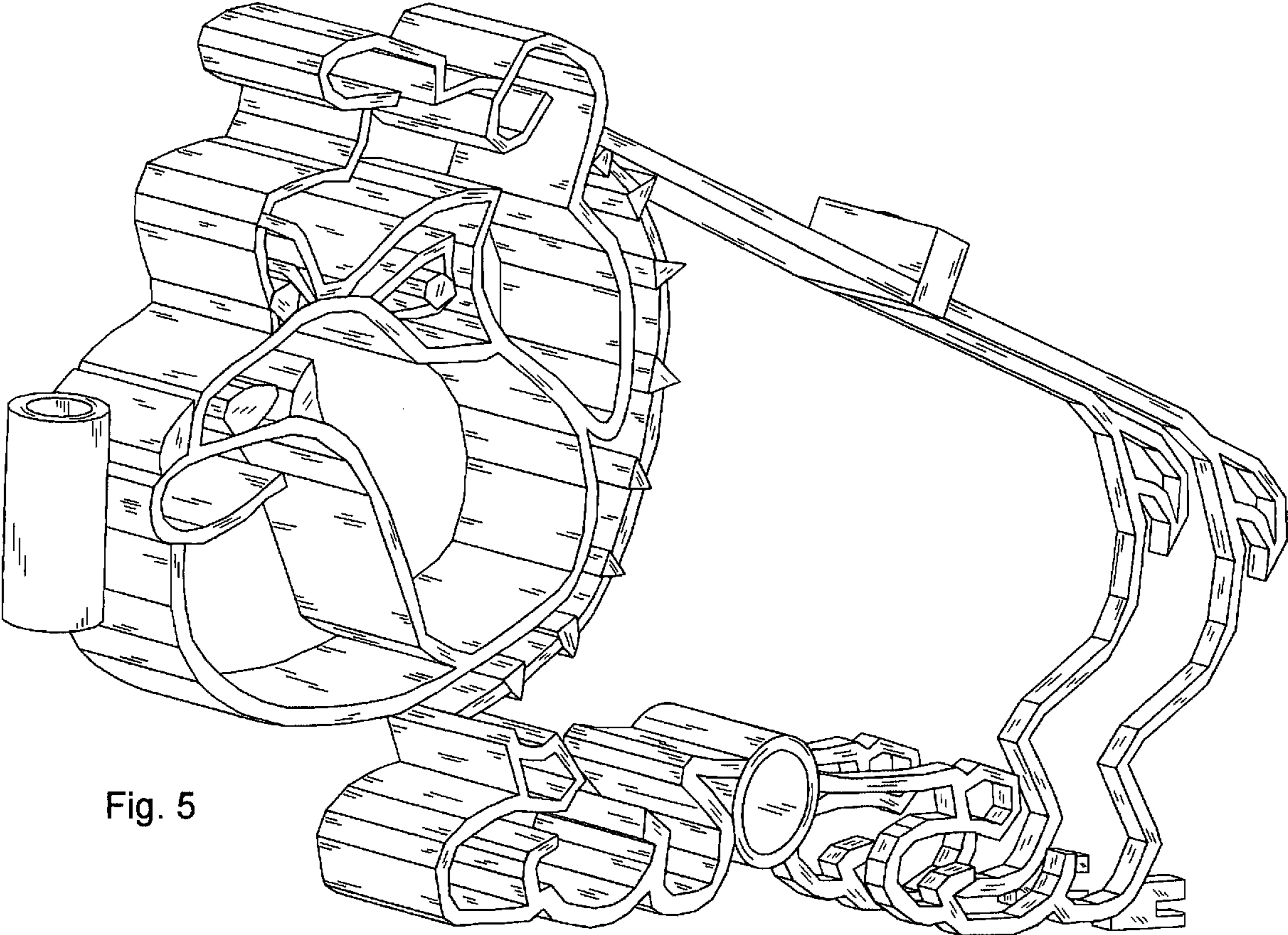


Fig. 5